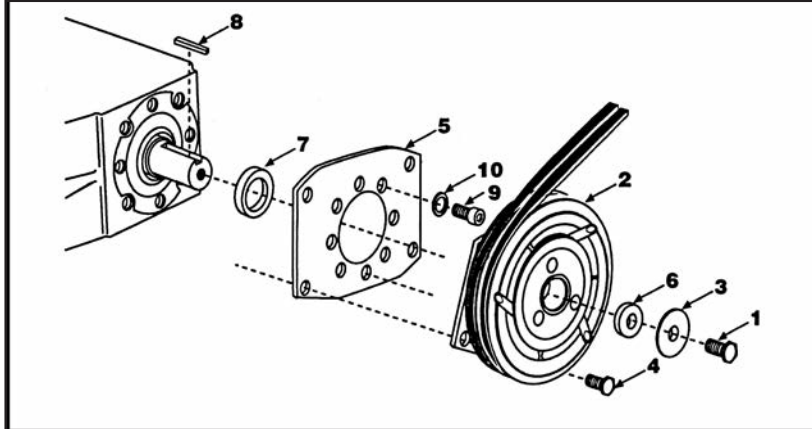


**California Proposition 65 Warning** -- This product and related accessories contain chemicals known to the State of California to cause cancer, birth defects or other reproductive harm.

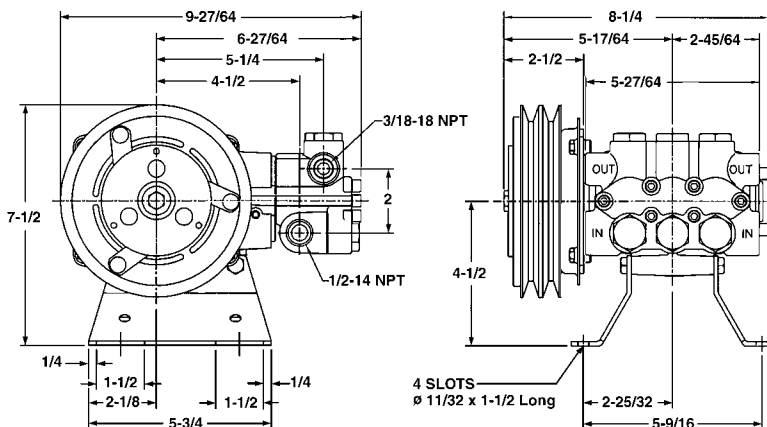
**Hypro 2359B-PY (3.5 gpm/2000 psi) with clutch**

**Specifications**

Max. flow rate: ..... 3.6 gpm  
 Max. pressure: ..... 3000 psi  
 RPM: ..... 1750 rpm  
 Shaft: ..... 3/4" dia. (solid)  
 Max. inlet vacuum ft. water (in. Hg.) ..... 3" (2.6)  
 Bore ..... .691 in. dia. (17.55 mm)  
 Stroke ..... .444 (11.28 mm)  
 Max. fluid temperature ..... 165° F  
 Inlet port thread ..... 1/2" NPT (F)  
 Discharge port thread ..... 3/8" NPT (F)  
 Weight ..... 27 lbs.  
 Dimensions ..... 8-1/4" x 7-1/2" x 9-7/16"  
 Volt ..... 12 V DC  
 Amp ..... 3.5  
 Belt ..... "B" section

**Directions for Assembly of Clutch to Pump**

1. Bolt the mounting bracket to the mounting holes on the pump. Use (4) socket head cap screws and (4) washers (Ref. No. 9 and 10).
2. Remove the clutch pulley from the coil assembly. Bolt the coil assembly to the mounting bracket with (4) 1/4-20 flange bolts (Ref. No. 4).
3. Insert the spacer (Ref. 7) over the pump's shaft with the chamfer towards the pump.
4. Insert the key (Ref. 8) into the pump shaft.
5. Position the clutch pulley to the coil assembly.
6. Insert spacer (Ref. 6) until flush with the end of the clutch assembly.
7. Install the bolt (Ref. 1) and washer (Ref. 3) into the pump shaft. (Use Loctite #242 on the threads of the bolt. Torque the bolt to 20 ft./lbs. 240 in./lbs.)
8. Use a "B" section belt.

Ogura Clutch Kit #8000-0042		
Ref. No.	Part No.	Description
1.	2210-0006	Bolt 5/16-18 x 1-1/8
2.	2526-0007	Clutch assembly (includes Ref. No. 3 and No. 4)
3.		With kit
4.		With kit
5.	3210-0091	Bracket
6.	1410-0099	Spacer, small
7.	1410-0098	Spacer, large
8.	1610-0054	Key
9.	2220-0041	Socket head capscrew 1/4 x 20 x 3/4
10.	2270-0001	Washer


**Warranty**

Hypro, as manufacturer, warrants to the original purchaser, each new pump for a period of **TWO years** from the date of shipment from the factory to be free from defects in material and workmanship under normal use and service. "Normal use and service" means not in excess of recommended maximum speeds, pressures, and temperatures or handling fluids not compatible with component materials, as noted in applicable Hypro product catalogs, technical literature, and instructions. This warranty shall not apply to any pump or other product which has been repaired or altered to adversely affect the performance or reliability of the pump or other product.