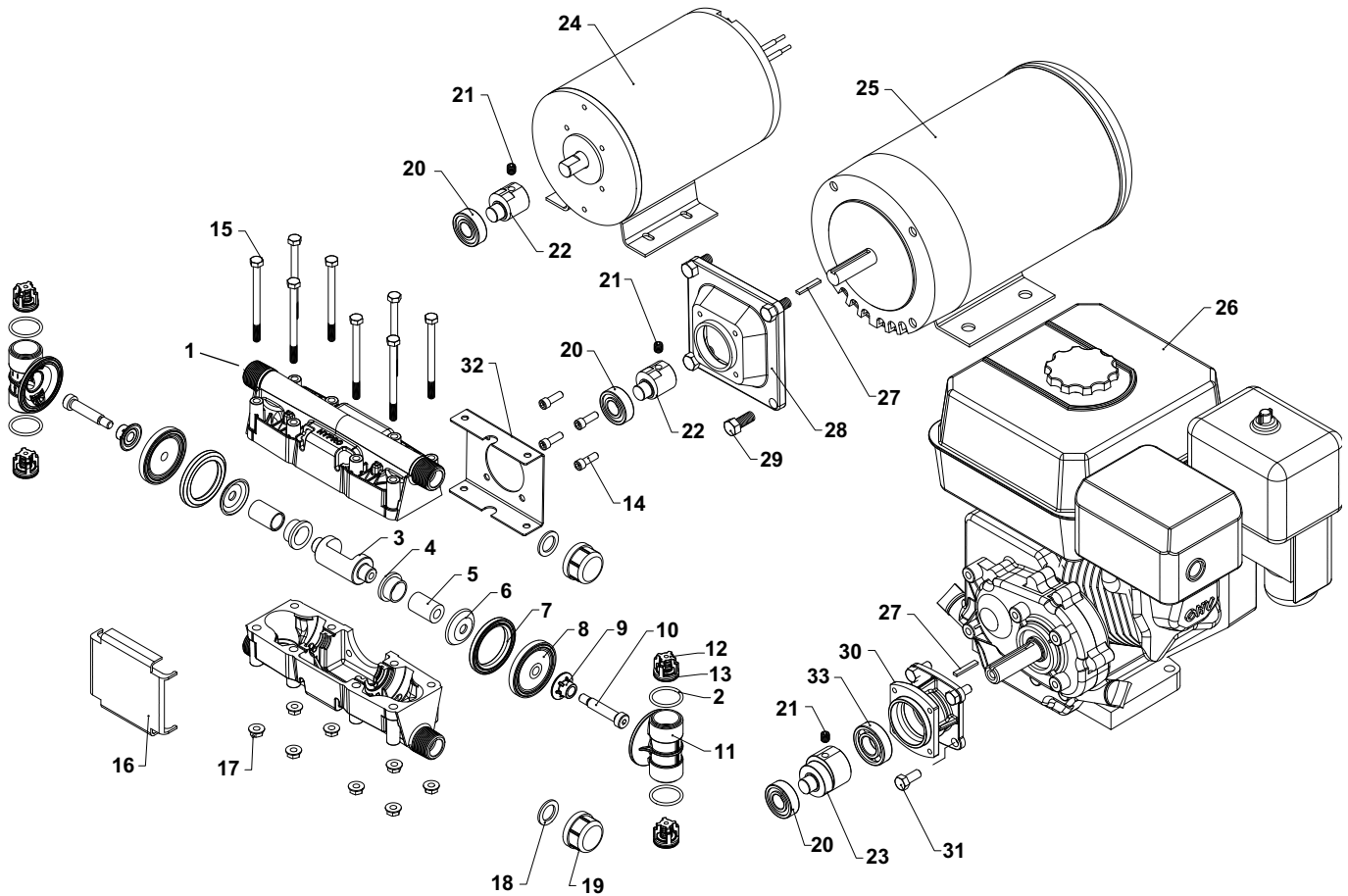


2150 Diaphragm Series



**Diaphragm Packing Kit
No. 3430-0633 Includes:**

Ref. No.	Qty.
2	4
6	2
7	2
8	2
9	2

**Diaphragm Pump Valve Kit
No. 3430-0634 Includes:**

Ref. No.	Qty.
2	4
12	4
13	4

**Engine Flange Mounting
Kit No. 3430-0658 Includes:**

Ref. No.	Qty.
27	1
30	1
31	4
33	1

**Pump Head Only No. 2150PX
Consists of Part Numbers
1 thru 19.**

Note: When ordering parts, give quantity, part number, description and complete model number. Reference numbers are used ONLY to identify parts in the drawing and NOT to be used as order numbers.

Ref. No.	Qty. Req'd.	Part No.	Description	Ref. No.	Qty. Req'd.	Part No.	Description
1	2	0101-2100PM	Pump Body (Polyester PBT)	19	2	2102030	3/4" End Cap
2	4	1720-0076	O-ring	20	1	2000-0015	Bearing
3	1	0500-2100	Connecting Rod	21	1	2230-0003	Set Screw
4	2	1440-0087	Bushing	22	1	0551-2145	Motor Eccentric Bushing (1/2 HP)
5	2	1430-0029	Spacer	23	1	0552-2145	Motor Eccentric Bushing (Gas Engine)
6	2	1410-0113	Backing Plate	24	1	2570-0026	DC Motor (36 Amp)
7	2	1830-0172P	Diaphragm Clamp	25	1	2570-0027	Motor (1/2 HP, 56C Frame DC, 39 Amp)
8	2	2535-0009	Diaphragm	25	1	2560-0013	Motor (1/2 HP, 56C Frame AC, 50 Hz)
9	2	1410-0114P	Front Support Washer	25	1	24878-SHU	Motor (1/2 HP, 56C Frame AC, 60 Hz)
10	2	2220-0104	Shoulder Screw	26	1	2549-0052	Gas Engine 5.5 HP (2:1 Gear Reduced)
11	2	0718-2100P	Diaphragm/Valve Casing	27	1	1610-0061	Shaft Key
12	4	3400-0168	Valve Assy. (includes 1720-0007)	28	1	0706-2100A	Adapter Flange (56C Motor)
13	4	1720-0007	O-ring	29	4	2210-0020	Adapter Bolts
14	4	2220-0041	Bolts	30	1	0708-2100A	Adapter Flange (Gas Engine)
15	8	2210-0137	Head Bolts	31	4	2210-0146	Hex Head Cap Screw
16	1	2840-0083	Shield and Nameplate	32	1	1520-0087	Label Bracket
17	8	2250-0077	Flanged Nuts	33	1	2000-0017	Bearing
18	2	G40013	Gasket for End Cap				