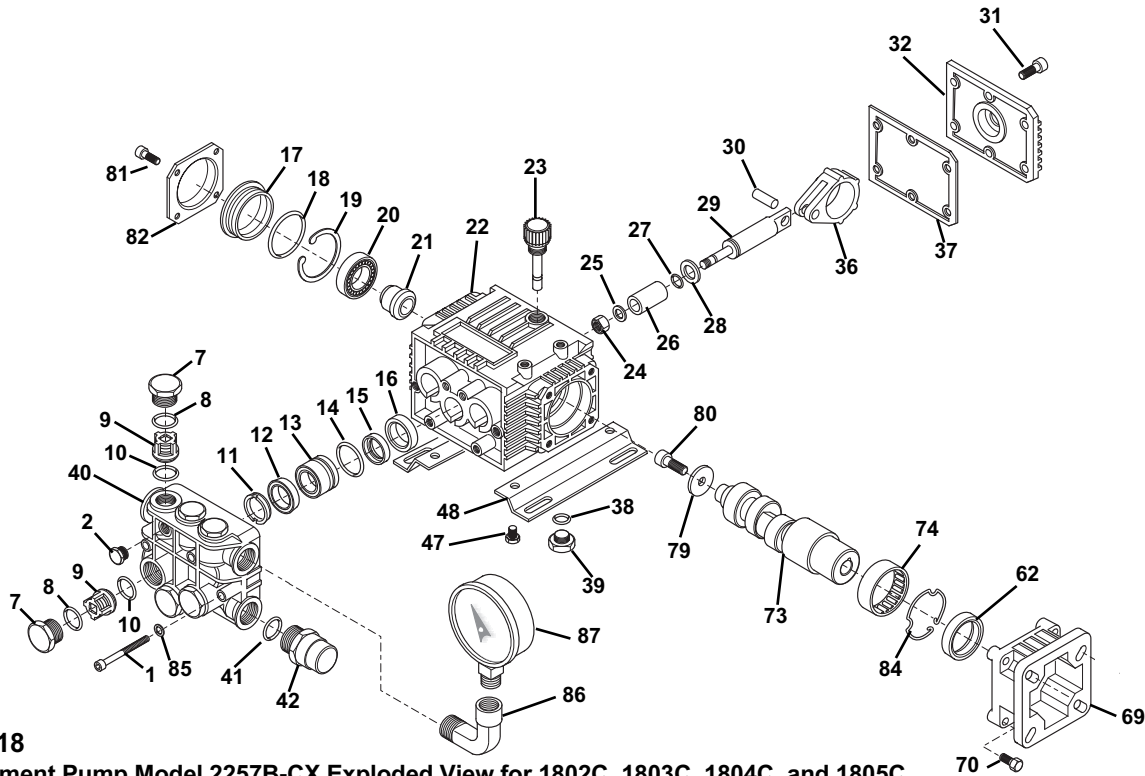


# Models 1802C, 1803C, 1804C, 1805C, 1806C and 1807C Parts List



**Figure 18**  
**Replacement Pump Model 2257B-CX Exploded View for 1802C, 1803C, 1804C, and 1805C**  
**Replacement Pump Model 2260B-CX Exploded View for 1806C and 1807C**

Ref. No.	Part No.	Description	Qty.
1	9910-680570	Socket Head Cap Screw	6
2	9910-620301	Plug	1
7	9910-1260162	Plug	6
8 <sup>1</sup>	9910-960160	O-ring	6
9 <sup>1</sup>	3400-0133	Valve	6
10 <sup>1</sup>	9910-880830	O-ring	6
11	1830-0138	Support Ring	3
12	N/A	Gasket	3
13	N/A	Piston Guide	3
14	9910-1260420	O-ring	3
15	N/A	Gasket	3
16	9910-1260460	Seal	3
17	9910-1320320	Plug	1
18	9910-1320360	O-ring	1
19	9910-1260790	Retaining Ring (Internal)	1
20	9910-1320370	Bearing	1
21	9910-1320330	Bushing	1
22	9910-1320010	Pump Housing	1
23	9910-880130	Oil Plug	1
24	9910-1260110	Nut	3
25 <sup>2</sup>	9910-1260100	Washer	3
26 <sup>2</sup>	3500-0061	Piston	3
27 <sup>2</sup>	9910-480480	O-ring	3
28 <sup>2</sup>	9910-1260091	Spacer	3
29	9910-1260070	Guiding Piston	3
30	9910-1260080	Piston Pin	3

Ref. No.	Part No.	Description	Qty.
31	9910-1260760	Socket Head Cap Screw	6
32	9910-1269101	Complete Cover	1
36	9910-1260060	Connecting Rod (Aluminum)	3
36	9910-1320140	Connecting Rod (Bronze) 1806C/1807C	1
37	9910-1260040	Gasket	1
38	9910-740290	O-ring	2
39	9910-1980740	Plug	2
40	0203-2250B	Pump Head	1
41	9910-180101	O-ring	1
42	3312-0004	Thermal Relief Valve	1
47	9910-1260470	Screw	4
48	9910-1263890	Base	2
62	9910-480671	Seal	1
69	9910-1320050	Flange (Gas)	1
70	9910-1200430	Bolt	4
73	0551-2255	Hollow Shaft 5/8" Dia.	1
74	9910-1321190	Bearing	1
79	9910-780230	Washer	1
80	9910-780060	Socket Head Cap Screw	1
81	2220-0069	Socket Head Cap Screw	4
82	9910-1321420	Cover	1
84	9910-1321080	Snap Ring	1
85	9910-1381550	Washer	6
86	2400-0048	Elbow	1
87	2640-0005	Pressure Gauge	1

<sup>1</sup> Denotes Valve Kit item. 9910-KIT1864

<sup>2</sup> Denotes Piston Kit item. 3430-0466