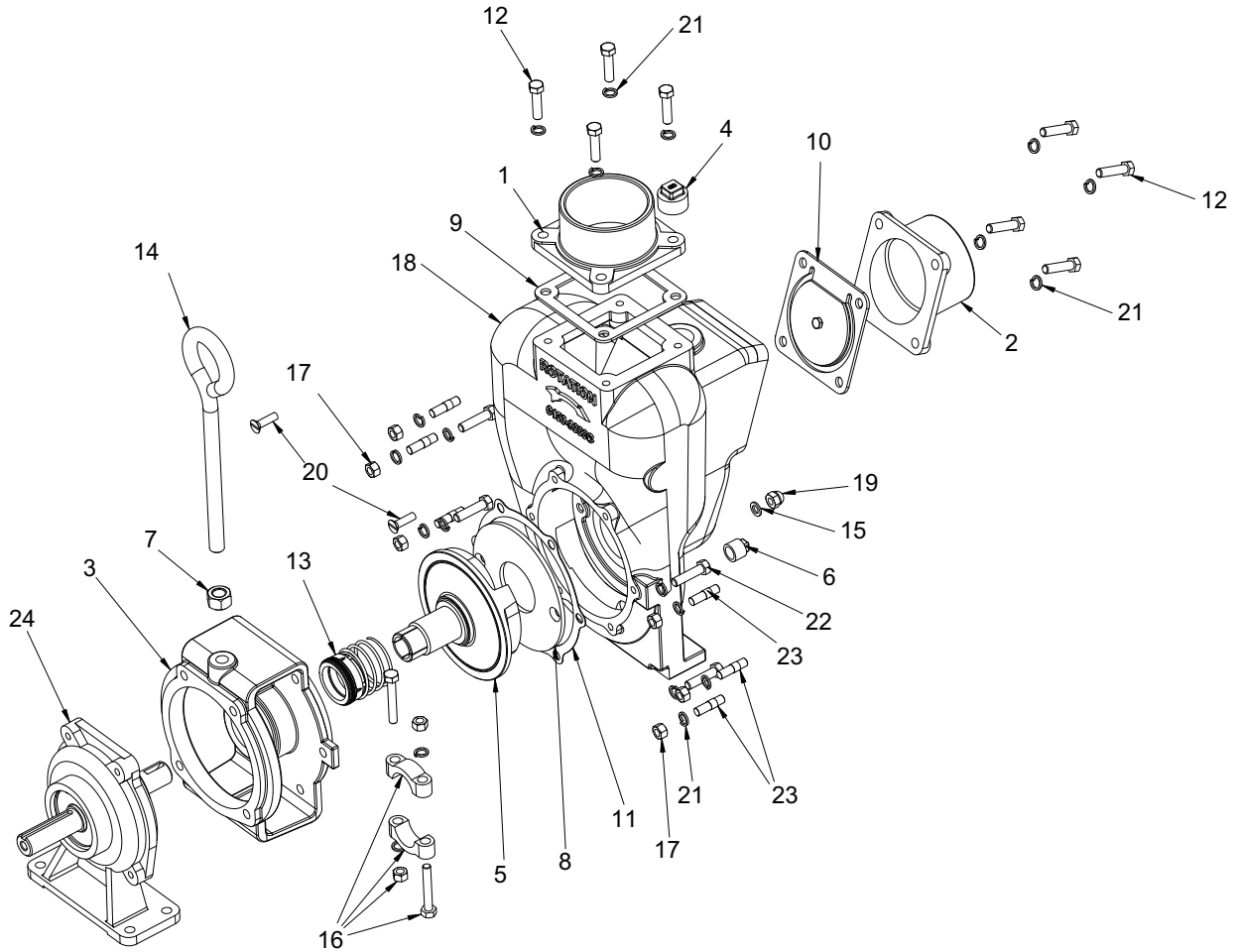


1533C-13SP, 1533C-13ESP, 1533C-390EHSP, 9233C-SP, and 9733C-SPX Self-Priming Cast Iron Centrifugal Pumps



Ref. No.	Qty.	Part No.	Description
1	1	2404-0361	Discharge Flange (3" NPT)
2	1	2404-0364	Inlet Flange (3" NPT)
3	1	0750-9033C	Mounting Flange (Gas Engine)
3	1	0750-9733C	Mounting Flange (NEMA C)
4	1	2406-0042	Fill Plug (1" NPT)
5	1	0400-9033C	Impeller w/shaft (1")
5	1	0400-9733C	Impeller w/shaft (1-3/8")
6	1	2406-0043	Drain Plug (1/2" NPT)
7	1	2250-0096	Nut 5/8-11 Zinc
8	1	3210-0095	Wear Plate
9	1	1700-0219	Discharge Flange Gasket (EPDM)
10	1	1700-0220	Flapper Valve Assembly (EPDM)
11	1	1710-0018	Gasket
12	8	2210-0161	Cap Screw Hex Head 3/8-16 x 1-1/8" Zinc
13	1	2120-0047	Mechanical Seal (Viton)
14	1	2801-0008	Handle

Ref. No.	Qty.	Part No.	Description
15	2	1700-0221	Washer (Plastic)
16	1	1420-0033	Shaft Sleeve Clamp Assy. (1")
16	1	1420-0026	Shaft Sleeve Clamp Assy. (1.375")
17	6	2250-0097	Nut 3/8-24 SS
18	1	0150-9033C	Self Priming Chamber
19	2	2253-0011	Acorn Nut 3/8-16 SS
20	2	2215-0005	Screw Slotted Flat Head 3/8-16 x 1" SS
21	18	2260-0052	Lockwasher 3/8 Zinc
22	4	2210-0163	Cap Screw Hex Head 3/8-16 x 2-1/2" Zinc Gr 5
23	6	2205-0022	Stud 3/8-24
24	1	0550-9233	Pedestal Assembly (1") - Not used with gas engine models
N/S	1	2541-0048	13.5 HP PowerPro Engine (1533C-13SP)
N/S	1	2541-0049	13.5 HP PowerPro Engine (1533C-13ESP)
N/S	1	2541-0057	Honda GX390 Engine (1533C-390EHSP)
N/S	1 pr.	1520-0099	Mounting Rails-zinc plated (std. on gas engine models; optional on other models)