

# T80 Series Model T8030

Maximum Flow Rate: 26 gpm (98.4 l/min)

Maximum Pressure: 5000 psi (345 bar)

*Hydra-Cell*<sup>®</sup>  
Seal-less Pumps



T8030 with Nickel Aluminum  
Bronze pump head

- Seal-less design eliminates leaks, hazards and the expense associated with seals and packing
- Low NPSH requirements allow for operation with a vacuum condition on the suction - positive suction pressure is not necessary
- Can operate with a closed or blocked suction line and run dry indefinitely without damage, eliminating downtime and repair costs
- Unique diaphragm design handles more abrasives with less wear than gear, screw or plunger pumps
- Hydraulically balanced diaphragms to handle high pressures with low stress
- Lower energy costs than centrifugal pumps
- Rugged construction for long life with minimal maintenance
- Compact design and double-ended shaft provide a variety of installation options

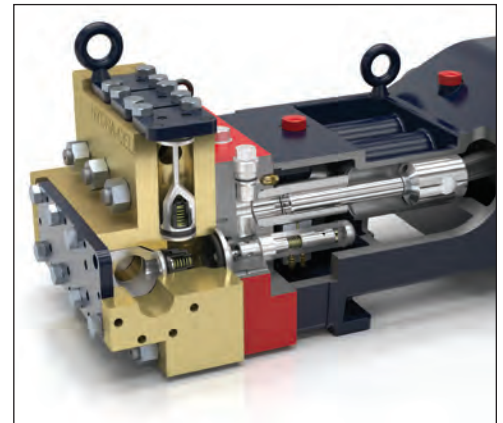
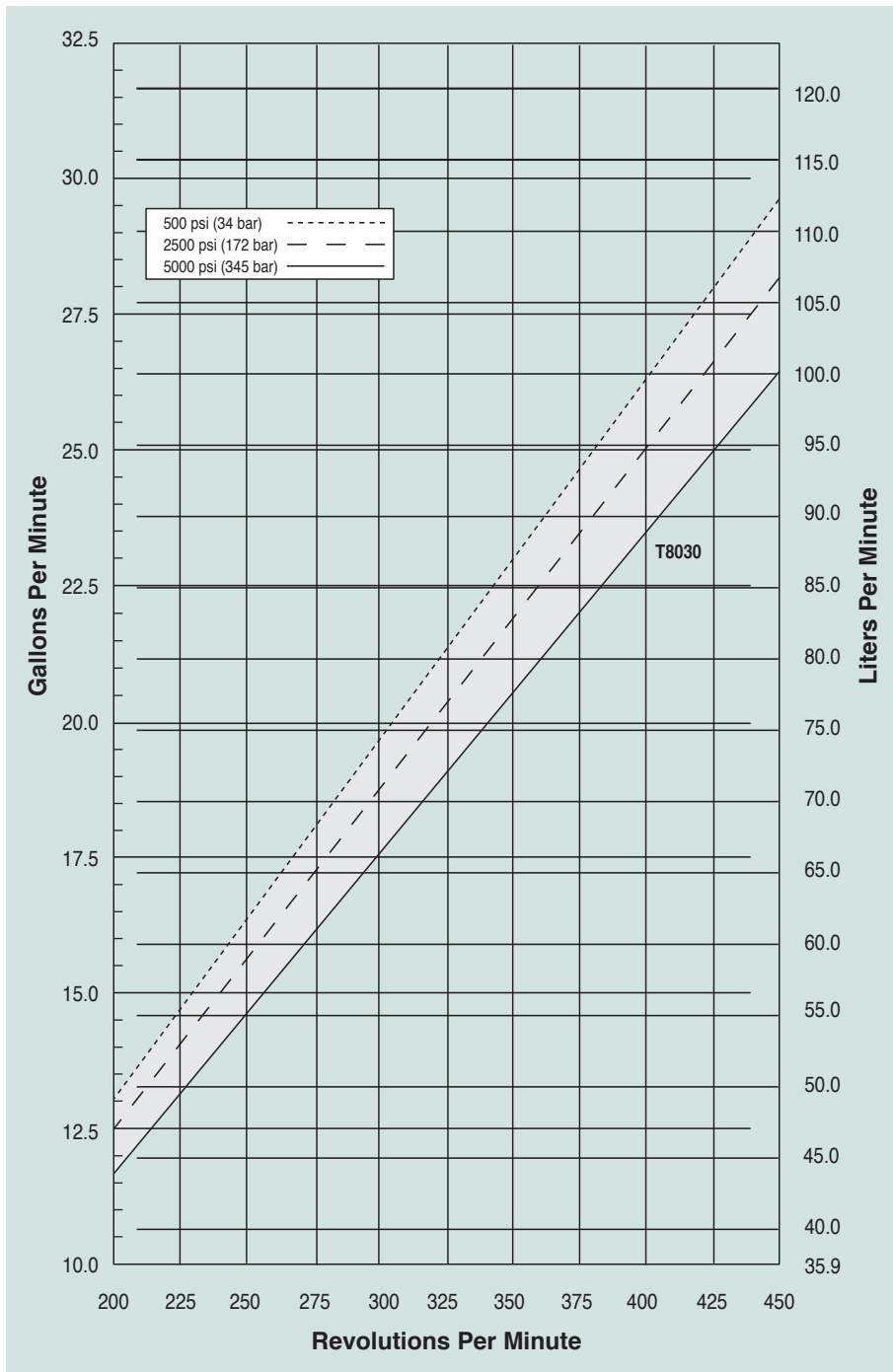
# T80 Series Model T8030 Performance

## Capacities

Flow				Pressure	
Model	Max. Input rpm	Max. Flow @ 5000 psi (345 bar)		Maximum Inlet Pressure	Maximum Discharge Pressure
		gpm	l/min		
T8030	450	26.0	98.4	500 psi (34 bar)	5000 psi (345 bar)

Consult factory when operating below 12 gpm (45.4 l/min).

## Maximum Flow at Designated Pressure



T Series pumps feature the Hydra-Cell seal-less design, eliminating clean-up costs from leaking seals or packing and protecting operators from dangerous fluids such as those containing hydrogen sulfide.

Due to Wanner Engineering continuous improvement practices, performance data and specifications may change without notice.

# T80 Series Model T8030 Specifications

## Flow Capacities @5000 psi (345 bar)

Model	rpm	gpm	l/min
T8030	450	26.0	98.4

## Delivery

Pressure psi (bar)	gal/rev	liters/rev
500 (34)	0.066	0.249
2500 (172)	0.063	0.237
5000 (343)	0.059	0.222

## rpm

Maximum:	450
Minimum:	200 Consult factory for speeds less than 200 rpm

## Maximum Discharge Pressure

Metallic Heads:	5000 psi (345 bar)
-----------------	--------------------

## Maximum Inlet Pressure 500 psi (34 bar)

## Operating Temperature

Maximum:	180 °F (82.2 °C)
Minimum:	40 °F (4.4 °C)
Consult factory for temperatures outside this range	

## Maximum Solids Size 800 microns

## Input Shaft Left or Right Side

## Inlet Ports 2 inch Class 300 FF ANSI Flange

## Discharge Ports 1-1/4 inch Class 2500 RJ ANSI Flange

## Shaft Diameter 3 inch (76.2 mm)

## Shaft Rotation Reverse (bi-directional)

## Oil Capacity 18 US quarts (17 liters) 10W30 standard-duty oil

## Weight

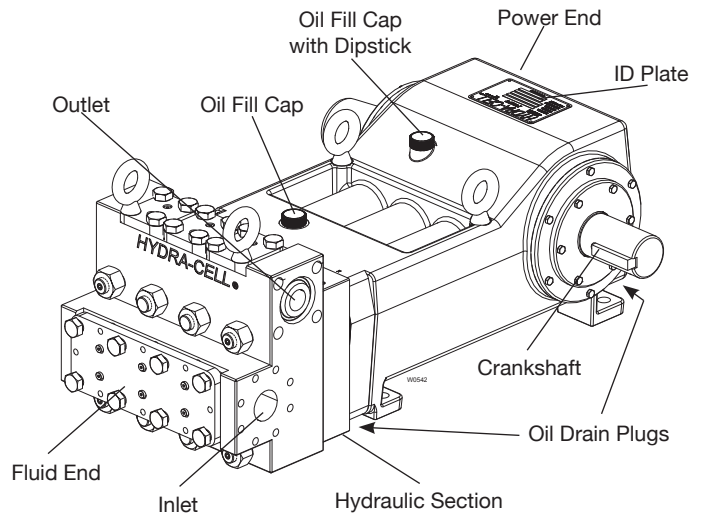
Metallic Heads:	1100 lbs. (499 kg)
-----------------	--------------------

## Fluid End Materials

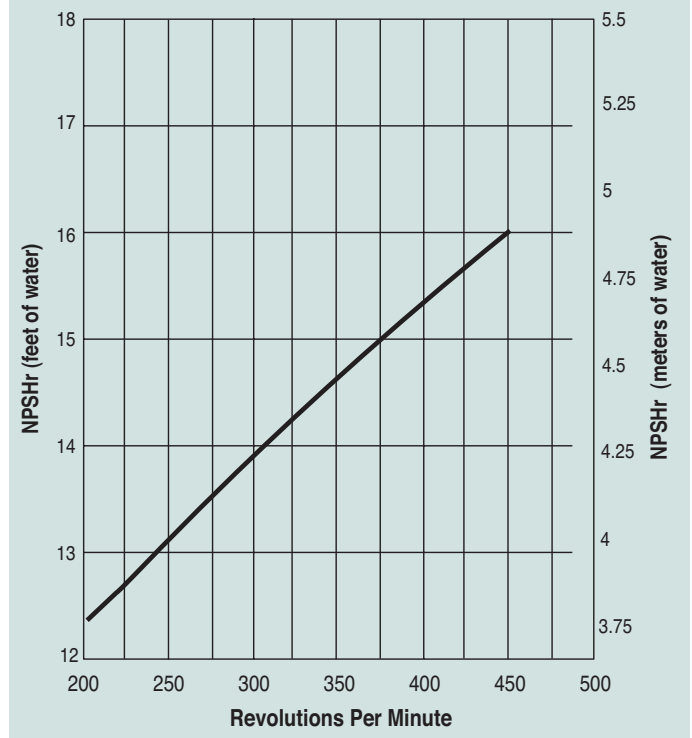
Manifold:	Nickel Aluminum Bronze (NAB)
Diaphragm/Elastomers:	FKM Buna-N
Diaphragm Follower Screw:	316 Stainless Steel
Valve Spring Retainer:	Polypropylene
Check Valve Spring:	Elgiloy
Valve Disc/Seat:	17-4 Stainless Steel Hastelloy C
Outlet Valve Retainer:	316 Stainless Steel
Plug-Outlet Valve Port:	316 Stainless Steel
Inlet Valve Retainer:	316 Stainless Steel

## Power End Materials

Crankshaft:	Forged Q&T Alloy Steel
Connecting Rods:	Ductile Iron
Crossheads:	12L14 Steel
Crankcase:	Ductile Iron
Bearings:	Spherical Roller/Journal (main) Steel Backed Babbitt (crankpin) Bronze (wristpin)



## Net Positive Suction Head (NPSHr)



## Calculating Required Horsepower (kW)\*

$$\frac{\text{gpm} \times \text{psi}}{1,460} = \text{electric motor hp}^*$$

$$\frac{\text{lpm} \times \text{bar}}{511} = \text{electric motor kW}^*$$

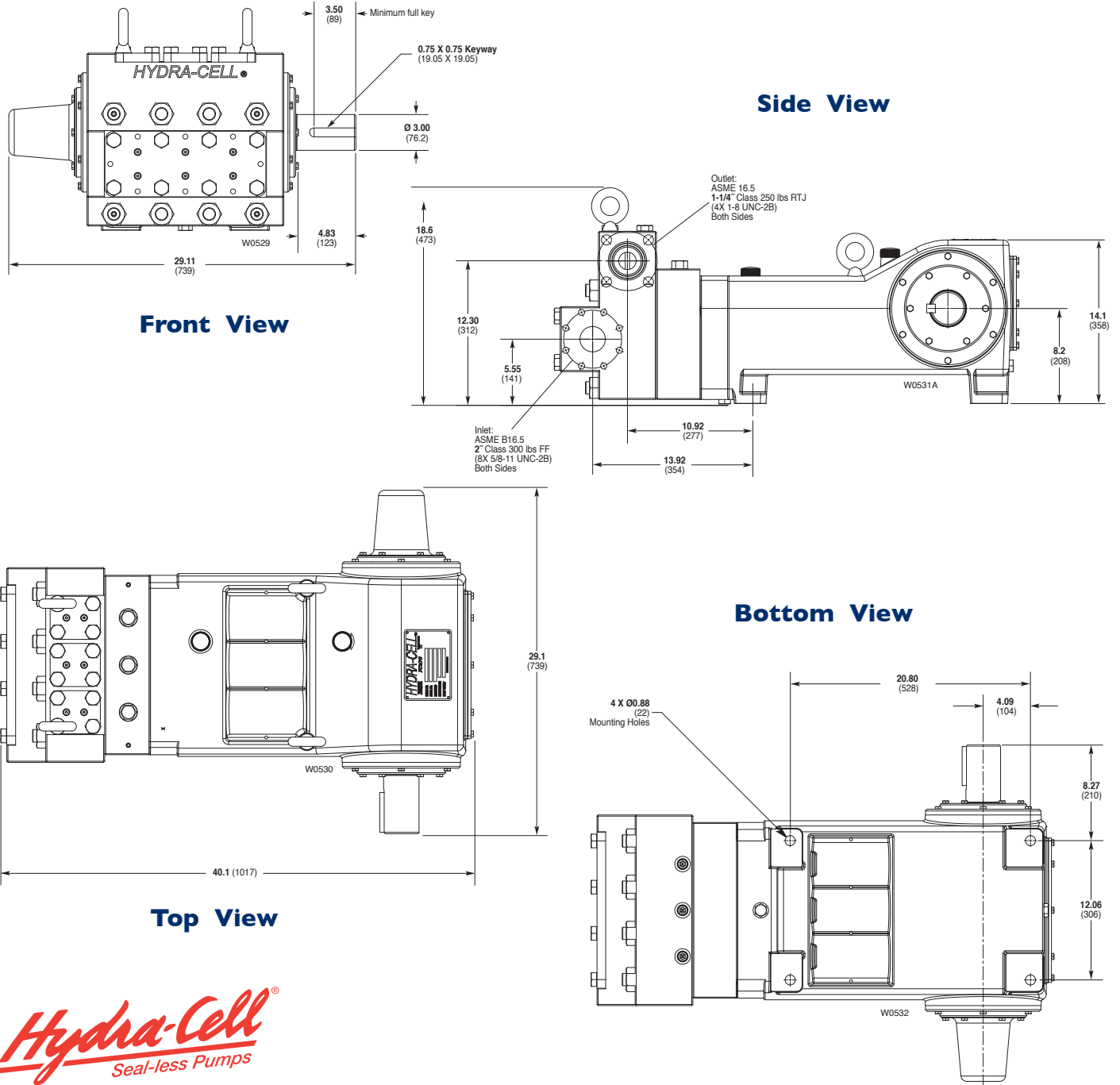
\* hp (kW) is required application power.

## Attention!

When sizing motors with variable speed drives (VFD): It is very important to select a motor and a VFD rated for constant torque inverter duty service and that the motor is rated to meet the torque requirements of the pump throughout desired speed range.

# T80 Series Model T8030 Dimensions

## Model T8030 Threaded Version inches (mm)



**Hydra-Cell**  
Seal-less Pumps

[www.Hydra-Cell.com](http://www.Hydra-Cell.com)

**Wanner Engineering, Inc.**

**World Headquarters & Manufacturing**

1204 Chestnut Avenue

Minneapolis, MN 55403 USA

Tel: (612) 332-5681 • FAX: (612) 332-6937

Toll Free FAX (USA only) (800) 332-6812

Email: [sales@wannereng.com](mailto:sales@wannereng.com)

[www.hydra-cell.com](http://www.hydra-cell.com)

**Wanner International Ltd.**

8 & 9 Fleet Business Park

Sandy Lane, Church Crookham,

Hampshire GU52 8BF England

Tel: +44 (0) 1252 816847

FAX Tel: +44 (0) 1252 629242

Email: [sales@wannerint.com](mailto:sales@wannerint.com)

[www.hydra-cell.eu](http://www.hydra-cell.eu)

**Wanner Pumps Ltd.**

Flat A, 21 F

Chatham Commercial Building

399 Chatham Road North

Hunghom, Kowloon, Hong Kong

Tel: (852) 3428-6534

FAX: (852) 3188-9145

Email: [sales@wannerpumps.com](mailto:sales@wannerpumps.com)