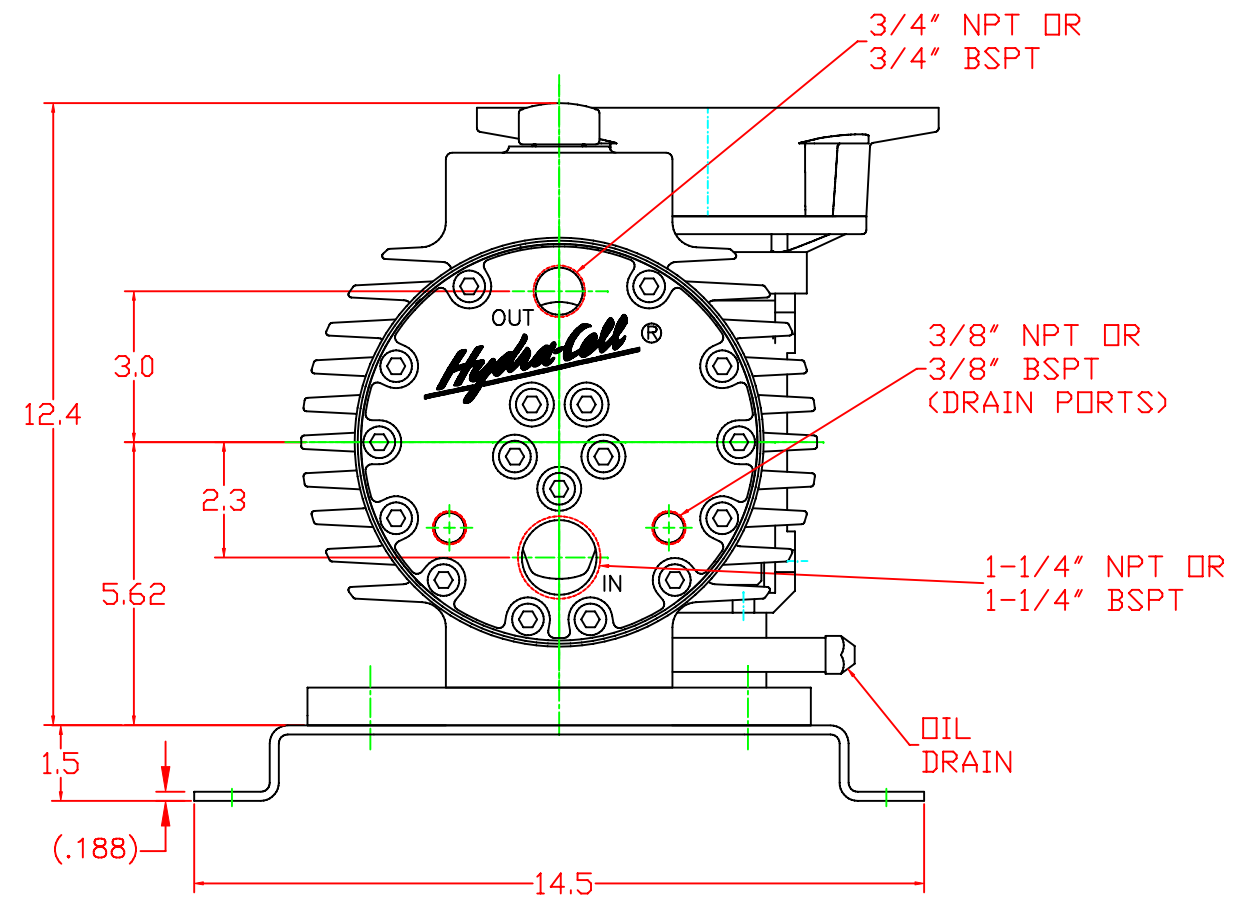
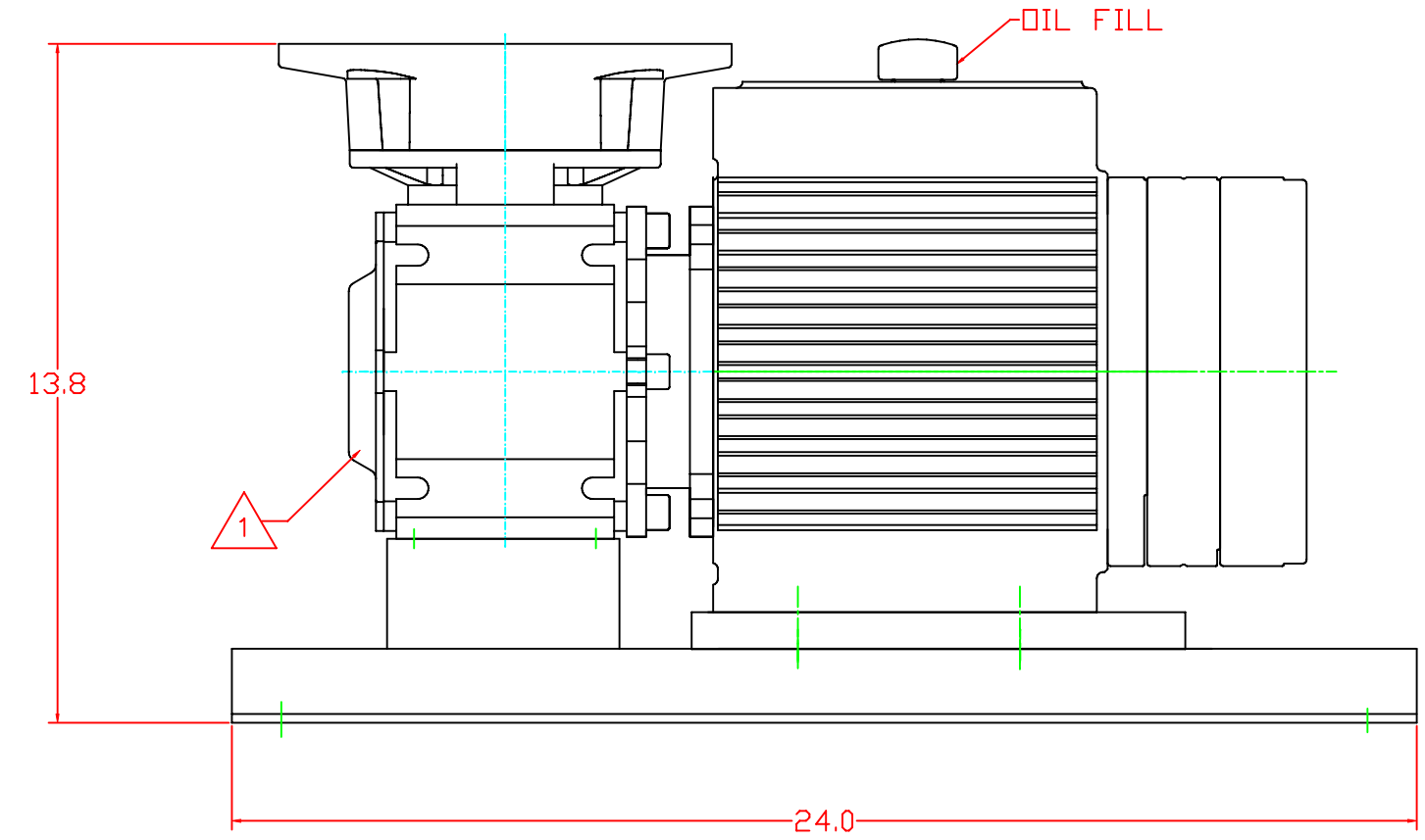
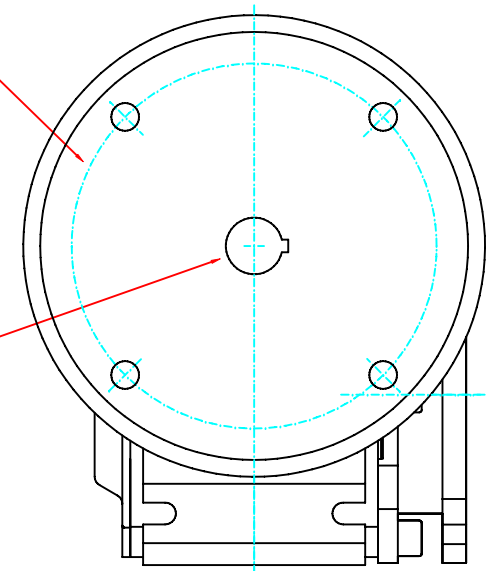


NEMA 182/4TC FLANGE
Ø8.500 PILOT
Ø7.25 BOLT CIRCLE

NEMA 182/4TC
Ø1.125
0.250 SQUARE KEY



NOTES:

- WORM GEAR REDUCER AVAILABLE IN THE FOLLOWING RATIO'S:
- 5:1, 7.5:1, 10:1, 15:1
- WEIGHT = 200 LBS (91 KG) - DOES NOT INCLUDE MOTOR.

UNLESS OTHERWISE SPECIFIED		TOL UNLESS NOTED		DWN 05-30-06 JJH		MAT'L PUMPING HEAD AVAILABLE IN 316 SST OR HASTELLOY C	
- ALL DIMENSIONS ARE IN INCHES.		.X = ± .020		CHK'D		WANNER ENGINEERING INC	
- DRAWING MAY NOT BE TO SCALE		.XX = ± .010		APP'D		1204 CHESTNUT AVE. MPLS, MN 55403	
- ALL DIMENSIONS APPLY AFTER PLATING, COATING AND HEAT TREATING, BUT BEFORE PAINTING.		.XXX = ± .005		USED ON:		TITLE	
- REMOVE ALL BURRS, BREAK ALL SHARP EDGES AND CORNERS		ANGLES = ± .50°		SHEET 1 OF 1		DIM DWG, P500, FB75, 180TC	
PROPRIETARY STATEMENT		FINISH: 125 RMS		SCALE 1:2		FORM DBLK	
This document contains confidential and proprietary information and is not to be reproduced or the information contained therein disclosed to others without consent, in writing, from WANNER ENGINEERING INC.		△		SHEET 1 OF 1		DWG NO	
				SCALE 1:2		P500-DIM-METAL-FB75-180TC-BASE	
				FORM DBLK		REV.	
						A	