

PARTS MANUAL
G25-991-2404A

Hydra-Cell[®]

INDUSTRIAL PUMPS

MODEL: G-25-SD
SLURRY DUTY PUMP

IMPORTANT

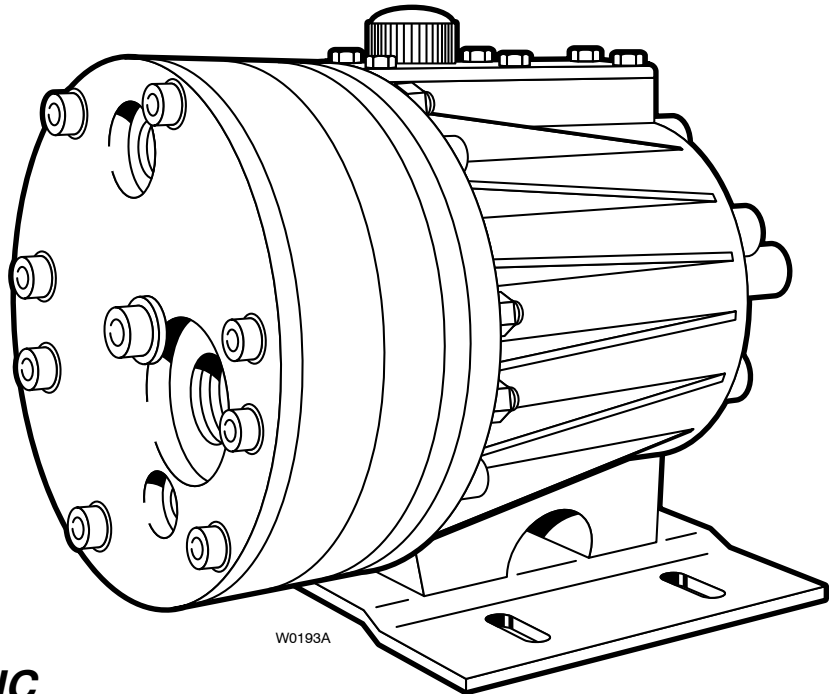
Record your pump model number and serial number here for easy reference:

Model No. _____

Serial No. _____

Date of Purchase _____

When ordering parts or making inquiries about this pump, please mention the model and serial numbers.

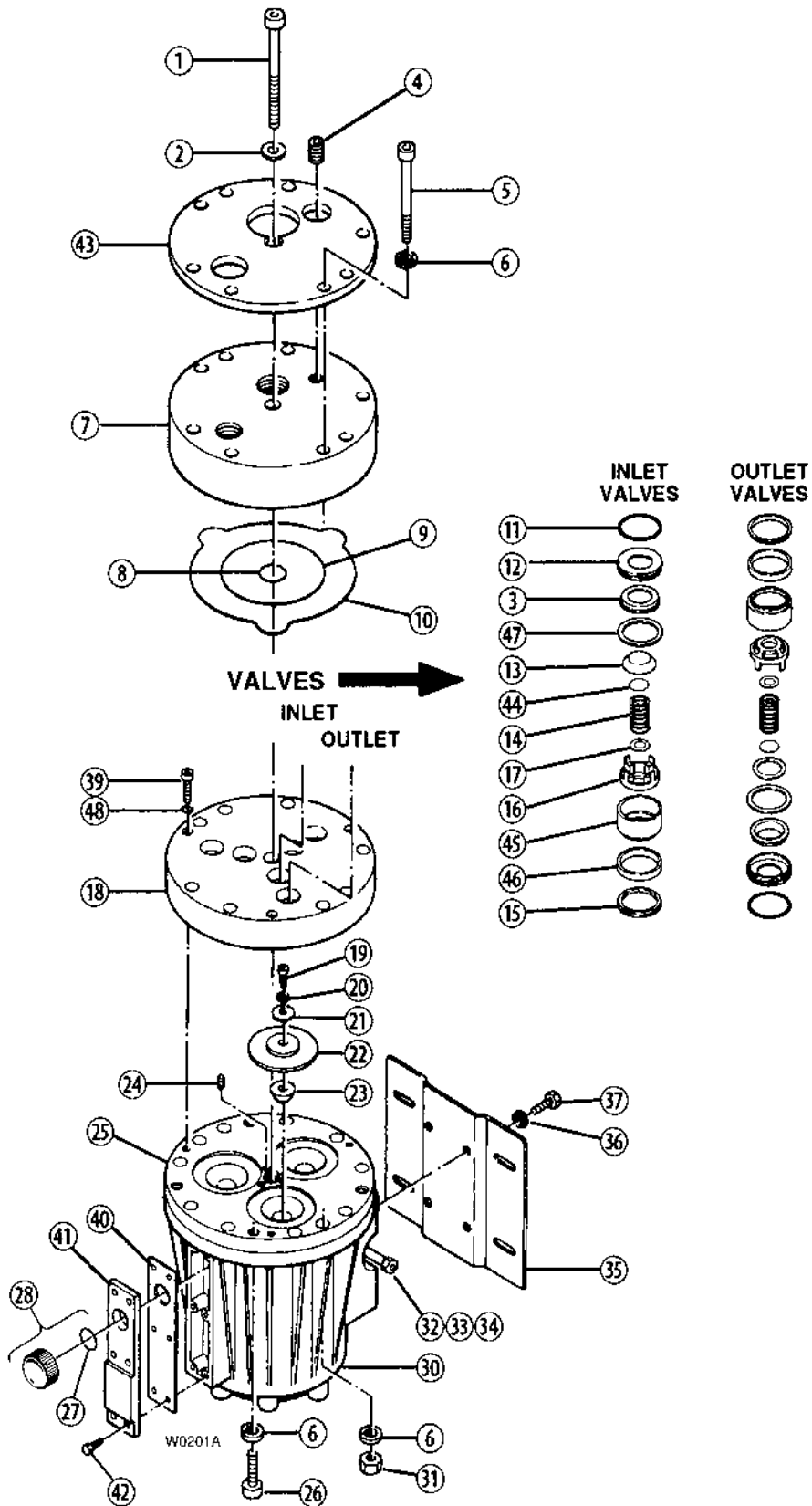


WANNER ENGINEERING, INC.

1204 Chestnut Avenue, Minneapolis, MN 55403
TEL: (612) 332-5681 FAX: (612) 332-6937
TOLL-FREE FAX [US only]: (800) 332-6812

www.hydra-cell.com
email: sales@wannereng.com

G-25-SD Fluid End



G-25-SD Fluid End

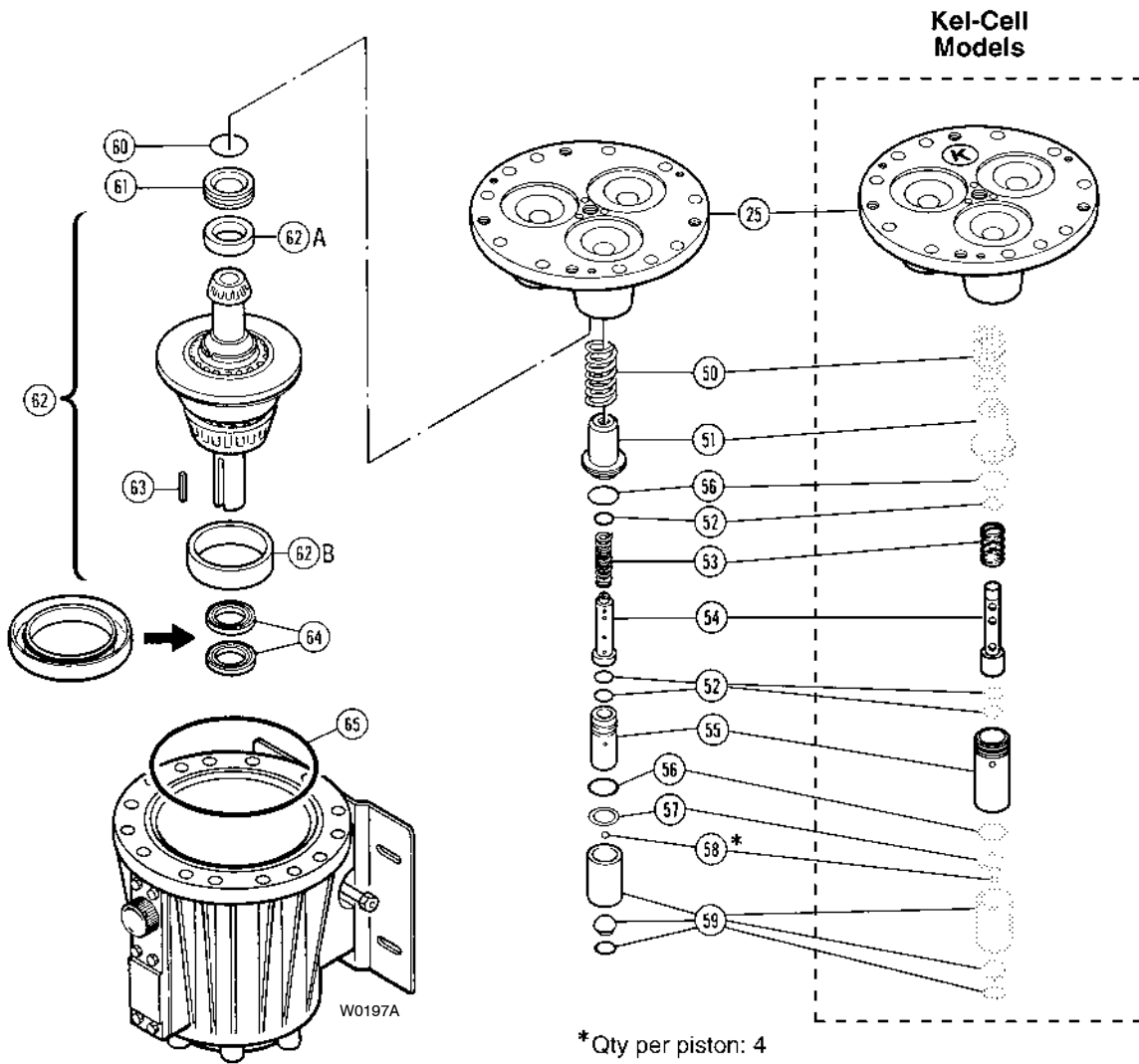
Ref. No.	Part Number	Description	Quantity/ Pump
1	G25-081-2011	Cap Screw, socket-head, M12 x 1.25 x 140 mm	1
2	G10-084-1010	Washer, 13 mm, flat	1
3	D25-135-2310	Valve Seat, polyurethane	6
4	D25-038-2211	Plug, 316 SST	1
5	G25-024-2011	Cap Screw, socket-head, M10 x 1.5 x 180 mm	8
6	G25-048-2010	Washer, split-lock, M10	20
7	G25-004-1055	Manifold, Celcon, BSPT	1
8	D10-083-2110	O-ring, center manifold, Buna	1
	D10-083-2111	O-ring, center manifold, Viton	1
	D10-083-2112	O-ring, center manifold, Neoprene	1
	D10-083-2113	O-ring, center manifold, EPDM	1
9	D25-073-2110	O-ring, inner manifold, Buna	1
	D25-073-2111	O-ring, inner manifold, Viton	1
	D25-073-2112	O-ring, inner manifold, Neoprene	1
	D25-073-2113	O-ring, inner manifold, EPDM	1
10	D25-109-2110	O-ring, outer manifold, Buna	1
	D25-109-2111	O-ring, outer manifold, Viton	1
	D25-109-2112	O-ring, outer manifold, Neoprene	1
	D25-109-2113	O-ring, outer manifold, EPDM	1
11	D25-035-2160	O-ring, valve seat, Buna	6
	D25-035-2161	O-ring, valve seat, Viton	6
	D25-035-2162	O-ring, valve seat, Neoprene	6
	D25-035-2163	O-ring, valve seat, EPDM	6
12	D25-020-1020	Valve Seat Holder, 17-4 HT SST	6
	D25-020-3300	Valve Seat, ceramic	6
13	D25-021-3300	Valve, ceramic	6
14	D25-022-3124	Valve Spring, Elgiloy	6
15	D25-137-1010	Spacer, 17-7 HT SST	6
16	D25-023-2330	Retainer, valve spring, Celcon	6
17	D25-141-2310	Washer, polyurethane	6
18	D25-003-1061	Valve Plate, Celcon	1
19	D25-030-2010	Screw, flat-head mach., 5/8", 316 SST	3
20	D25-047-2110	O-ring, follower, Buna	3
	D25-047-2111	O-ring, follower, Viton	3
	D25-047-2112	O-ring, follower, Neoprene	3
	D25-047-2113	O-ring, follower, EPDM	3
21	D25-017-1010	Follower, 316 SST	3
22	D25-018-2312	Diaphragm, Neoprene	3
	D25-018-2313	Diaphragm, EPDM	3
	D25-018-2315	Diaphragm, Viton-XT	3
	D25-018-2320	Diaphragm, Buna-N-XS	3

Ref. No.	Part Number	Description	Quantity/ Pump
23	D25-016-1010	Plunger	3
24	G25-082-2010	Set Screw, M6 x 1 x 16 mm	3
25	G25-002-1010	Cylinder Housing	1
	G25-002-1210	Cylinder Housing Assembly, Buna ¹	—
26	G10-087-2010	Cap Screw, socket-hd, M10 x 1.5 x 30 mm	4
27	D10-080-2110	O-ring, oil fill, Buna	1
28	D03-039-1030	Cap, oil fill (includes breather and O-ring)	1
30	G25-001-1218	Pump Housing Assembly ²	—
	G25-001-1228	Pump Housing ²	1
31	G10-028-2010	Nut, hex, M10	8
32	D25-076-2210	Elbow, 3/8"	1
33	D25-077-2210	Pipe, 3/8"	1
34	D25-078-2210	Cap, 3/8"	1
35	D25-025-1010	Base	1
36	G25-054-2010	Washer, shakeproof, M10	4
37	G25-029-2010	Cap Screw, Hex-hd, M10 x 1.5 x 25 mm	4
39	G25-088-2010	Cap Screw, socket-hd, M6 x 1 x 45 mm	3
40	G25-106-2318	Gasket, cover	1
41	H25-105-1018	Cover, housing	1
42	G25-090-2010	Cap Screw, hex-head	6
43	D25-100-1011	Support, manifold	1
44	D25-140-2310	Washer, polyurethane	6
45	D25-136-1010	Shell, 17-4 HT SST	6
46	D25-139-1010	Crush Seal, UHMW polyethylene	6
47	D25-138-1010	Spacer, 17-7 HT SST	6
48	D25-047-2110	O-ring, Buna	3

¹ Cylinder Housing Assembly includes casting (25), bearing cup, adjusting plate (61), O-ring (60), and set screws (24).

² Pump Housing Assembly includes housing (30), drain plug (32, 33, 34), and bearing cup. Pump Housing includes cover (41), gasket (40), and screws (42).

G-25-SD Hydraulic End



G-25-SD Hydraulic End

Ref. No.	Part Number	Description	Quantity/ Pump
50	D25-019-3111	Spring, piston return.....	3
51	D25-042-1010	Retainer, piston return spring	3
52	D25-046-2110	O-ring, valve cylinder, Buna.....	9
53	D25-045-3110	Spring, sleeve valve.....	3
	K25-045-3110	Spring, sleeve valve, Kel-Cell.....	3
54	D25-044-1010	Valve Plunger.....	3
	K25-044-1010	Valve Plunger, Kel-Cell.....	3
55	D25-043-1010	Cylinder, valve.....	3
	K25-043-1010	Cylinder, valve, Kel-Cell.....	3
56	D25-034-2110	O-ring, Buna.....	6
57	D25-041-1010	Washer, ball retainer.....	3
58	D25-015-3010	Ball, 1/4"	12
59	D25-014-1209	Piston, with foot and retainer	3
	D25-014-1210	Piston Assembly ¹	—
	K25-014-1210	Piston Assembly, Kel-Cell ¹	—
60	D25-075-2110	O-ring, bearing adjusting plate, Buna.	1
61	D25-012-1010	Bearing Adjusting Plate.....	1
62	H25-007-1210	(X) Cam Assembly, 76 lpm @ 1050 RPM ²	1
	H25-007-1214	(E) Cam Assembly, 77 lpm @ 1150 RPM ²	1
63	D25-085-2210	Key, shaft	1
64	H25-031-2112	Seal, Buna, 1-1/8".....	2
65	H25-037-2110	O-ring, pump housing, Buna, Ser. No. 100403 & above.....	1
—	D25-111-2400	Label, caution.....	1

¹ Piston Assembly includes cylinder, foot, valve plunger, O-rings, spring retainer, and springs (50-59).

² Cam Assembly includes cam, shaft, wobble plate, bearings, and cups. It is only available as an assembly.

G-25-SD Series Replacement Parts Kits

TO ORDER REPLACEMENT PARTS KIT: A Replacement Parts Kit contains 11 digits corresponding to customer-specified design options.

1	2	3	4	5	6	7	8	9	10	11
---	---	---	---	---	---	---	---	---	----	----

Digit	Order Code	Description
1-3	G25	Pump Configuration For all G-25-SD Pumps
4		Kit Designator
	K	Complete Fluid End Kit
	D	Diaphragm Kit
	V	Valve Kit (diaphragm not included)
	W	Spring and Seal Kit (diaphragm not included)
5-6	56	Pump Head Version Slurry Duty Pump Head Version
7		Diaphragm & O-ring Material
	E	EPDM
	G	Viton [®] -XT
	P	Neoprene
	T	Buna-N-XS
8		Valve Seat Material
	C	Ceramic
	R	Urethane and Stainless Steel
	X	Not included in Diaphragm Kit
9		Valve Material
	C	Ceramic
	X	Not included in Diaphragm Kit or Spring and Seal Kit
10		Valve Springs
	E	Elgiloy [®]
	X	Not included in Diaphragm Kit
11		Valve Spring Retainers
	C	Celcon
	X	Not included in Diaphragm Kit

Kit Contents

Part Number*	Description	Qty	Kit Designator			
			K	D	V	W
D25-018-___	Diaphragm	3	.	.		
D25-047-___	O-ring, follower	3	.	.		
D25-109-___	O-ring, outer manifold	1
D25-073-___	O-ring, inner manifold	1
D10-083-___	O-ring, center manifold	1
D25-135-2310	Valve seat, polyurethane	6
D25-035-___	O-ring, valve seat	6
D25-020-1020	Holder, valve seat	6
D25-021-3300	Valve, ceramic	6
D25-022-3124	Valve spring, Elgiloy	6
D25-137-1010	Spacer	6
D25-023-2330	Retainer, valve spring	6
D25-140-2310	Washer, polyurethane	6
D25-141-2310	Washer, polyurethane	6
D25-136-1010	Shell	6
D25-139-1010	Crush seal	6
D25-138-1010	Spacer	6
A01-113-3400	Threadlocker	1

* Last four digits of part numbers with -___ refer to specific material of construction.



WANNER ENGINEERING, INC.

1204 Chestnut Avenue, Minneapolis, MN 55403
 TEL: (612) 332-5681 FAX: (612) 332-6937
 TOLL-FREE FAX [US only]: (800) 332-6812

www.hydra-cell.com
 email: sales@wannereng.com