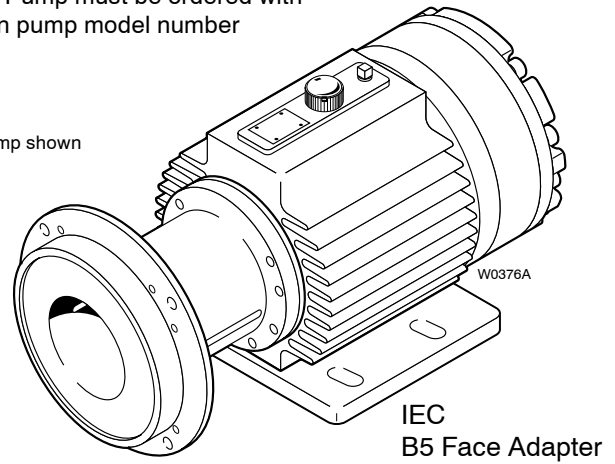
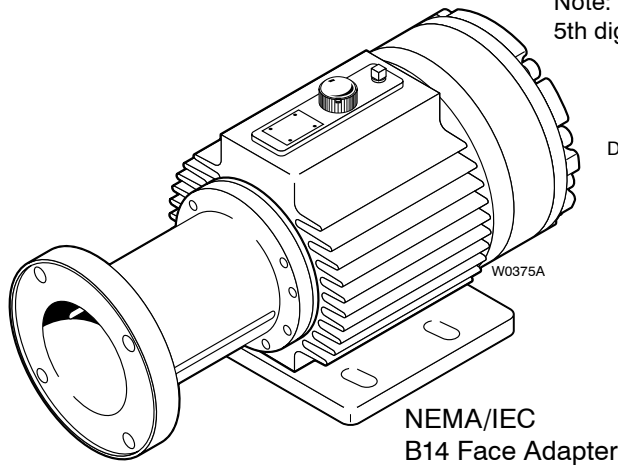


# Hydra-Cell® Pump/Motor Adapters

*SIMPLY BUILT TO LAST*

## Adapter Kits for D/G-15 and H/G-25

Note: H/G-25 Pump must be ordered with 5th digit "M" in pump model number



| Part Number  | Pump/Motor Adapter Kit Description              |
|--------------|-------------------------------------------------|
| A04-041-1200 | Kit for NEMA 182/184TC, 254/256TC C-Face Motors |
| A04-041-1202 | Kit for NEMA 284/286TC C-Face Motors            |

| Part Number  | Pump/Motor Adapter Kit Description   |
|--------------|--------------------------------------|
| A04-041-1203 | Kit for IEC 160 B14 Face Motors      |
| A04-041-1201 | Kit for IEC 132 B5 Flange Motors     |
| A04-041-1205 | Kit for IEC 160/180 B5 Flange Motors |

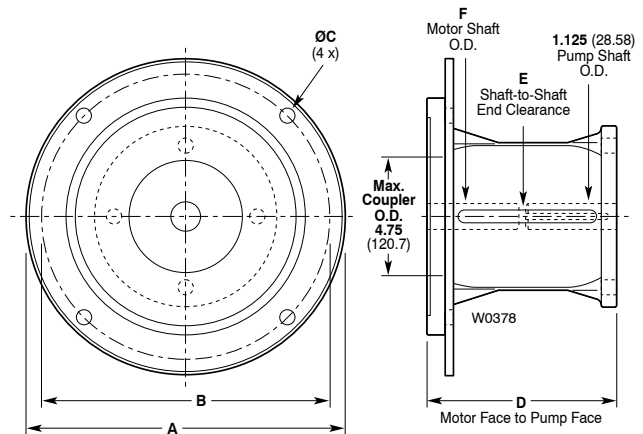
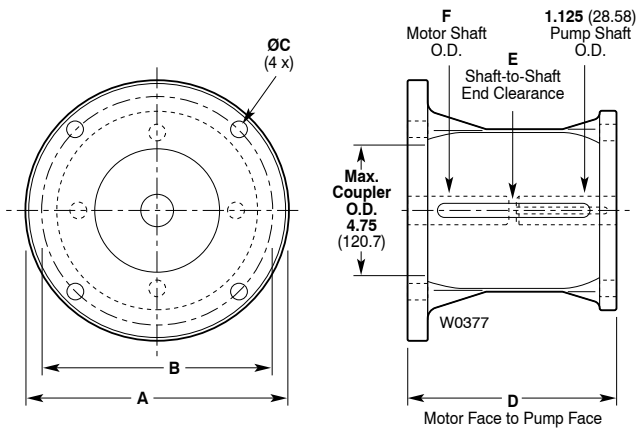
### Dimensions

inches (mm)

NEMA Adapters: A04-041-1200; A04-041-1202

IEC Adapter: A04-041-1203

IEC Adapters: A04-041-1201; A04-041-1205



Dimensions in (mm)

| Kit Part Number | Adapter Kit Motor Size | A     | B     | C      | D       | E      | F       |
|-----------------|------------------------|-------|-------|--------|---------|--------|---------|
| A04-041-1200    | NEMA 182/184TC         | 8.75  | 7.25  | 0.54   | 8.0     | 1.71   | 1.125   |
|                 | NEMA 213/215TC         | 8.75  | 7.25  | 0.54   | 8.0     | 0.96   | 1.375   |
|                 | NEMA 254/256TC         | 8.75  | 7.25  | 0.54   | 8.0     | 0.33   | 1.625   |
| A04-041-1202    | NEMA 284/286TC         | 10.75 | 9.00  | 0.54   | 8.4     | 0.14   | 1.875   |
| A04-041-1203    | IEC 160 B14 Face       | (250) | (215) | (13.1) | (208.3) | (3.8)  | (42)    |
| A04-041-1201    | IEC 132 B5 Flange      | (328) | (265) | (13.1) | (203.2) | (27.7) | (38)    |
| A04-041-1205    | IEC 160/180 B5 Flange  | (328) | (300) | (17.0) | (208.3) | (3.8)  | (42/48) |



**WANNER ENGINEERING, INC.**

### Installation:

Attach coupling hubs (not included in Adapter Kit), to pump and motor shafts. Slide coupling sleeve onto motor shaft coupling hub.

On NEMA and IEC B14 Face models, attach adapter to motor using bolts (64) and lockwashers (65). IEC B5 Adapter models use additional lockwashers (65), spacers (66), and nuts (67).

With coupling sleeve positioned on motor shaft hub, assemble pump onto motor adapter making sure to engage pilot ring of

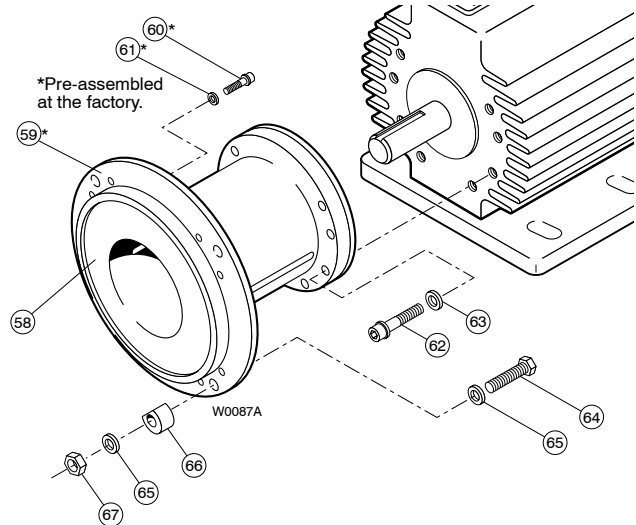
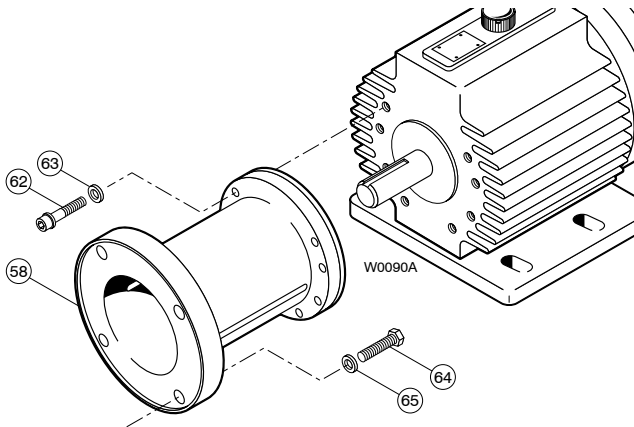
adapter to groove in pump housing.

Fasten pump to adapter using soc-hd cap screws (62) with lockwashers (63).

Make any adjustments to position of coupling hubs through access slots in sides of adapter. Tighten coupling set screws

NEMA Adapters: A04-041-1200; A04-041-1202  
IEC Adapter: A04-041-1203

IEC Adapters: A04-041-1201; A04-041-1205



| Ref No. | Description        | NEMA Adapters                            |                                          | IEC Adapters                                |                                              |                                           | Qty per Kit |
|---------|--------------------|------------------------------------------|------------------------------------------|---------------------------------------------|----------------------------------------------|-------------------------------------------|-------------|
|         |                    | A04-041-1200<br>182/256TC<br>Part Number | A04-041-1202<br>284/286TC<br>Part Number | A04-041-1203<br>160 B14 Face<br>Part Number | A04-041-1201<br>132 B5 Flange<br>Part Number | A04-041-1205<br>160/180 B5<br>Part Number |             |
| 58      | Pump/Motor Adapter | A04-041-1000                             | A04-041-1002                             | A04-041-1003                                | A04-041-1001                                 | A04-041-1005                              | 1           |
| 59      | Clamping Ring      | —                                        | —                                        | —                                           | A04-120-1005                                 | A04-120-1005                              | 1           |
| 60      | Screw, Cap, soc-hd | —                                        | —                                        | —                                           | G03-029-2010<br>M6                           | G10-087-2010<br>M10                       | 8           |
| 61      | Lockwasher, split  | —                                        | —                                        | —                                           | D03-050-2010<br>1/4 in.                      | G25-048-2010<br>M10                       | 8           |
| 62      | Screw, Cap, soc-hd | G03-068-2010                             | G03-068-2010                             | G03-068-2010                                | G03-068-2010                                 | G03-068-2010                              | 8           |
| 63      | Lockwasher, Split  | G25-048-2010                             | G25-048-2010                             | G25-048-2010                                | G25-048-2010                                 | G25-048-2010                              | 8           |
| 64      | Screw, Cap         | M10-110-2000<br>Hex-hd, 1/2 in.          | M10-110-2000<br>Hex-hd, 1/2 in.          | A04-043-2010<br>Soc-hd, M12                 | G40-101-2010<br>Soc-hd, M12                  | A04-046-2016<br>Soc-hd, M16               | 4           |
| 65      | Lockwasher, Split  | M10-111-2000<br>1/2 in.                  | M10-111-2000<br>1/2 in.                  | M10-111-2000<br>1/2 in.                     | M10-111-2000*<br>1/2 in.                     | A04-044-2016*<br>5/8 in.                  | 4           |
| 66      | Spacer             | —                                        | —                                        | —                                           | A04-120-1011                                 | A04-120-1015                              | 4           |
| 67      | Hex Nut            | —                                        | —                                        | —                                           | A04-045-2010                                 | A04-045-2016                              | 4           |

\*Quantity/Kit = 8



## WANNER ENGINEERING, INC.

1204 Chestnut Avenue, Minneapolis, MN 55403

TEL: (612) 332-5681 FAX: (612) 332-6937

TOLL-FREE FAX [US only]: (800) 332-6812

www.hydra-cell.com email:sales@wannereng.com

© 2004 Wanner Engineering, Inc. Printed in USA  
D15-991-2403B 5/2004, Revised 4/2008