

Parts Manual
G10-991-2403B

Hydra-Cell[®]

INDUSTRIAL PUMPS

Model: G-10
with non-metallic pump head

IMPORTANT

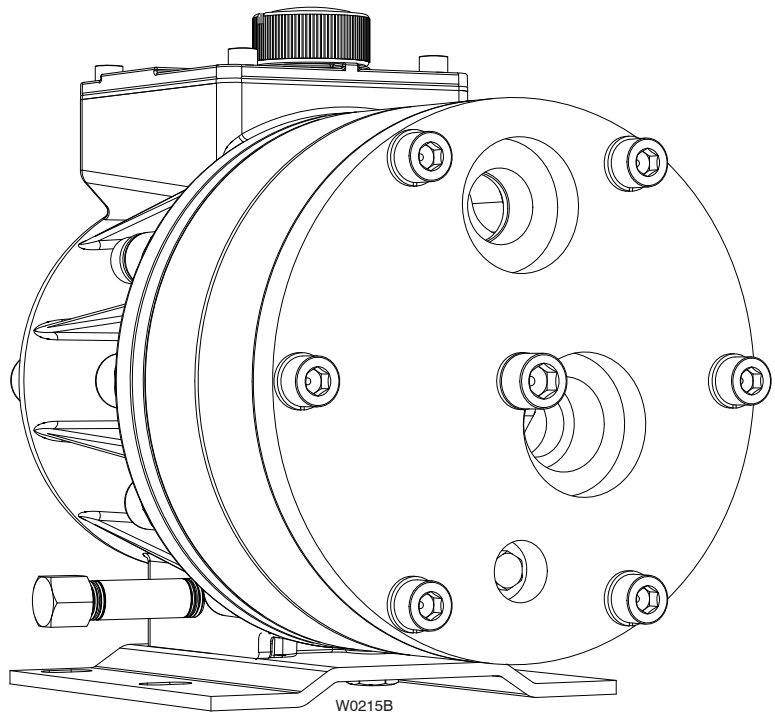
Record your pump model number and serial number here for easy reference:

Model No. _____

Serial No. _____

Date of Purchase _____

When ordering parts or making inquiries about this pump, please mention the model and serial numbers.



WANNER ENGINEERING, INC.

1204 Chestnut Avenue, Minneapolis, MN 55403

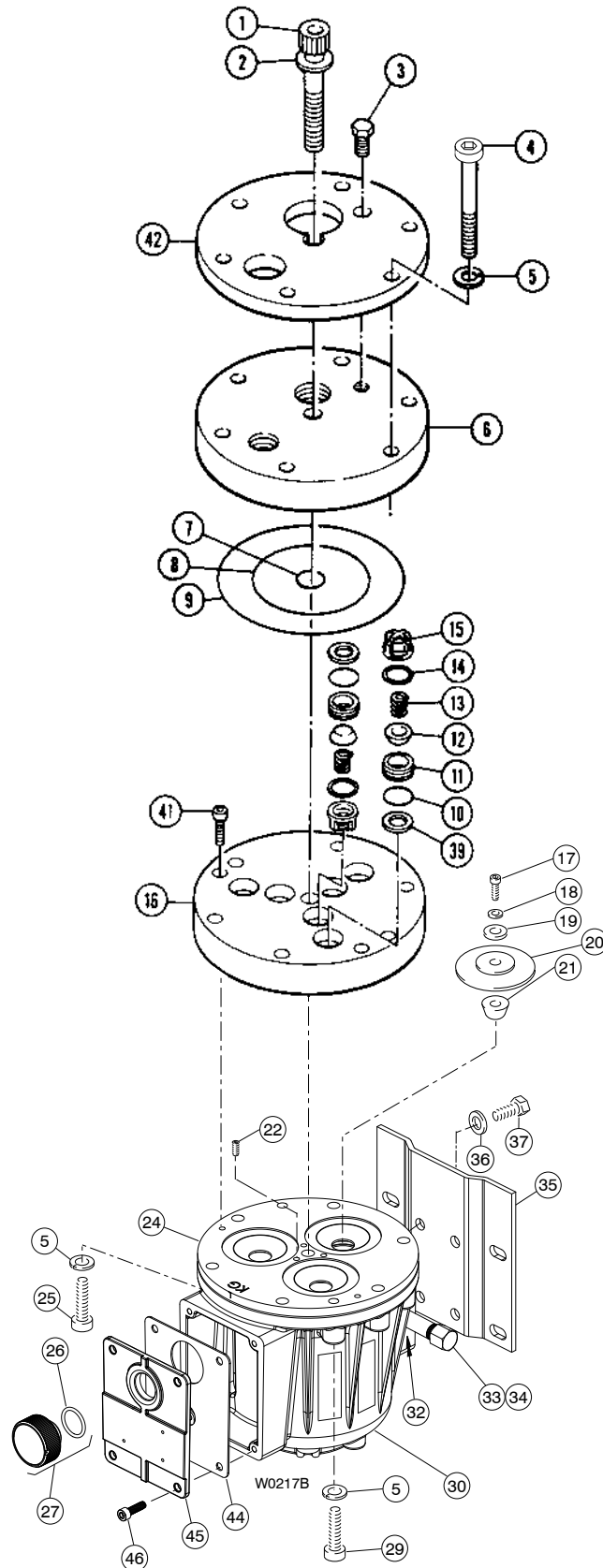
TEL: (612) 332-5681 FAX: (612) 332-6937

TOLL-FREE FAX [US only]: (800) 332-6812

www.hydra-cell.com

email: sales@wannereng.com

G-10 Fluid End (with non-metallic pump head)



G-10 Fluid End (with non-metallic pump head)

Ref. No.	Part Number	Description	Quantity/ Pump
1	G10-081-2017	Screw, Cap, soc-hd, 102 mm.....	1
2	G10-084-2010	Washer, Flat ¹	1
	G10-084-1010	Washer, Flat ²	1
3	D10-038-2017	Plug, Nickel alloy, Hastelloy CW12MW.....	1
	D10-038-2211	Plug, 316 SST.....	1
4	G10-024-2017	Screw, Cap, soc-hd, 130 mm ¹	6
	G25-024-2010	Screw, Cap, soc-hd, 120 mm ²	6
5	D11-048-2010	Washer, Split lock ¹	8
	G25-048-2010	Washer, Split lock ²	8
6	G10-004-1050	Manifold, Polypropylene.....	1
	G10-004-1051	Manifold, Celcon.....	1
	G10-004-1053	Manifold, Kynar.....	1
7	D10-083-2110	O-ring, Center bolt, Buna.....	1
	D10-083-2111	O-ring, Center bolt, Viton.....	1
	D10-083-2112	O-ring, Center bolt, Neoprene.....	1
	D10-083-2113	O-ring, Center bolt, EPDM.....	1
8	D10-073-2110	O-ring, Inner manifold, Buna.....	1
	D10-073-2111	O-ring, Inner manifold, Viton.....	1
	D10-073-2112	O-ring, Inner manifold, Neoprene.....	1
	D10-073-2113	O-ring, Inner manifold, EPDM.....	1
9	D10-109-2110	O-ring, Outer manifold, Buna.....	1
	D10-109-2111	O-ring, Outer manifold, Viton.....	1
	D10-109-2112	O-ring, Outer manifold, Neoprene.....	1
	D10-109-2113	O-ring, Outer manifold, EPDM.....	1
10	D10-035-2110	O-ring, Valve seat, Buna.....	1
	D10-035-2111	O-ring, Valve seat, Viton.....	1
	D10-035-2112	O-ring, Valve seat, Neoprene.....	1
	D10-035-2113	O-ring, Valve seat, EPDM.....	1
11	D10-020-1010	Valve seat, 17-4 SST, HT.....	6
	D10-020-1011	Valve seat, 316 SST.....	6
	D10-020-1016	Valve seat, Tungsten carbide.....	6
	D10-020-1017	Valve seat, Hastelloy C.....	6
	D10-020-3300	Valve seat, Ceramic.....	6

Ref. No.	Part Number	Description	Quantity/ Pump
12	D10-021-1010	Valve, 17-7 SST, stamped, HT.....	6
	D10-021-1011	Valve, Nitronic.....	6
	D10-021-1015	Valve, 17-4 SST, machined, HT.....	6
	D10-021-1016	Valve, Tungsten carbide.....	6
	D10-021-1017	Valve, Hastelloy C.....	6
	D10-021-3300	Valve, Ceramic.....	6
13	D10-022-3116	Valve Spring, 17-7 SST, HT.....	6
	D10-022-3117	Valve Spring, Elgiloy.....	6
	D10-022-3123	Valve Spring, Hastelloy C.....	6
14	D10-092-2110	Tetra Seal, Buna.....	6
	D10-092-2111	Tetra Seal, Viton.....	6
	D10-092-2112	Tetra Seal, Neoprene.....	6
	D10-092-2113	Tetra Seal, EPDM.....	6
15	D10-023-2310	Retainer, Valve spring, Celcon.....	6
	D10-023-2326	Retainer, Valve spring, Nylon.....	6
	D10-023-2327	Retainer, Valve spring, polypropylene.....	6
	D10-023-2328	Retainer, Valve spring, Kynar.....	6
16	D10-003-1050	Valve Plate, polypropylene.....	1
	D10-003-1051	Valve Plate, Celcon.....	1
	D10-003-1053	Valve Plate, Kynar.....	1
17	D10-030-2010	Screw, Flat-hd, SST, 3/8 in.	3
	D10-030-2011	Screw, Flat-hd, Hastelloy C, 3/8 in.	3
18	D10-047-2110	O-ring, Follower, Buna-N.....	3
	D10-047-2111	O-ring, Follower, Viton.....	3
	D10-047-2112	O-ring, Follower, Neoprene.....	3
	D10-047-2113	O-ring, Follower, EPDM.....	3
19	D10-017-1010	Follower, 316 SST.....	3
	D10-017-1011	Follower, Hastelloy C.....	3
20	D10-018-2312	Diaphragm, Neoprene.....	3
	D10-018-2313	Diaphragm, EPDM.....	3
	D10-018-2315	Diaphragm, Viton (XT).....	3
	D10-018-2320	Diaphragm, Buna-N-XS.....	3
21	D10-016-1010	Plunger.....	3
22	G10-082-2010	Set Screw, M6 x 1 x 10 mm.....	3

¹ Used on G10 models prior to S/N 216283.

² Used on G10 models S/N 216283 and above.

G-10 Fluid End (with non-metallic pump head)

Ref. No.	Part Number	Description	Quantity/ Pump
24	K10-002-1020	Cylinder Housing.....	1
	K10-002-1220	Cylinder Housing Assembly, Metric ³	
	K10-002-1242	Loaded Cylinder Housing, Metric, Neoprene ⁶	
	K10-002-1243	Loaded Cylinder Housing, Metric, EPDM ⁶	
	K10-002-1244	Loaded Cylinder Housing, Metric, Buna N-XS ⁶	
	K10-002-1245	Loaded Cylinder Housing, Metric, Viton XT ⁶	
	K10-002-1246	Loaded Cylinder Housing, Metric, PTFE ⁶	
25	G10-029-2010	Screw, Cap, hex-hd, 25 mm ¹	4
	G10-089-2011	Screw, Cap, hex-hd, 38 mm ²	1
26	D10-080-2110	O-ring, Oil fill, Buna.....	1
27	D03-039-1030	Cap with O-ring, Oil fill.....	1
29	G10-087-2010	Screw, Cap, soc-hd, 30 mm ¹	1
	G10-087-2011	Screw, Cap, soc-hd, 45 mm ²	1
30	D10-001-1050	Pump Housing, Metric ⁴	1
	D10-001-1215	Pump Housing Assembly, Metric ⁵	—
31	G10-028-2010	Nut, Hex, M10.....	6
32	D10-076-2210	Elbow, Brass, 1/8 in. ¹	1
	D10-076-2250	Plug, Soc-hd, 1/4 in. ²	2
33	D10-077-2210	Nipple, Brass, 3/8 in. ¹	1
	D10-077-2250	Nipple, Brass, 1/4 in. ²	1
34	D10-078-2210	Cap, Brass, 1/8 in. ¹	1
	D10-078-2250	Cap, Brass, 1/4 in. ²	1

Ref. No.	Part Number	Description	Quantity/ Pump
35	D10-025-1010	Base.....	1
36	D10-054-2010	Washer, Shakeproof.....	4
37	G10-029-2010	Screw, Cap, hex-hd, 25 mm.....	4
39	D10-125-2320	Washer, Dampening, Celcon.....	6
	D10-125-2327	Washer, Dampening, polypropylene.....	6
	D10-125-2328	Washer, Dampening, Kynar.....	6
41	G10-088-2010	Screw, Cap, soc-hd, 30 mm.....	2
42	D10-100-1010	Support, Face plate.....	1
44	G10-106-2350	Gasket, Cover ²	1
45	G10-105-1050	Cover/Nameplate ²	1
46	G03-088-2010	Screw, 20 mm ²	4

¹ Used on G10 models prior to S/N 216283.

² Used on G10 models S/N 216283 and above.

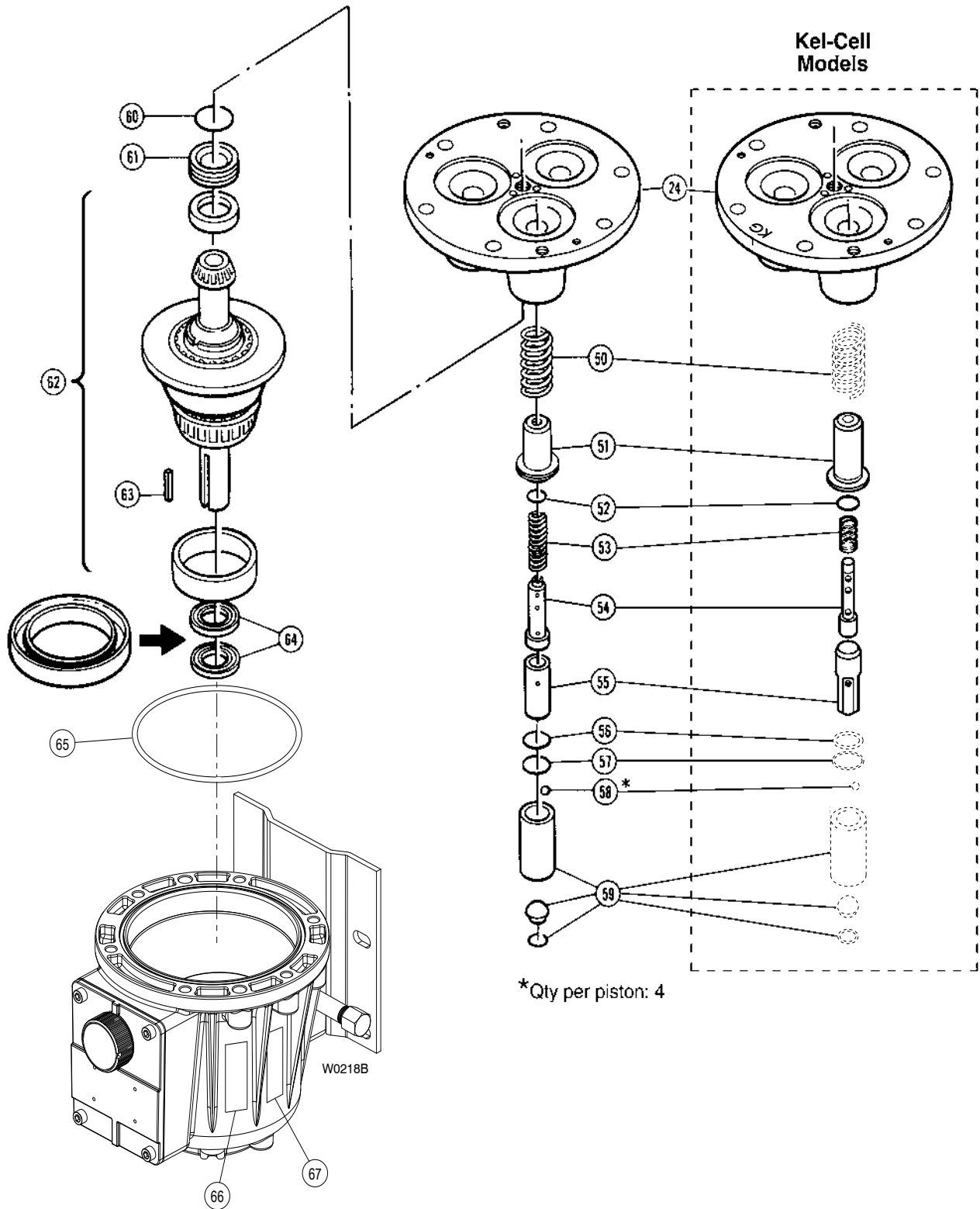
³ Cylinder Housing Assembly includes casting (24), bearing, adjusting plate (61), O-ring (60), and set screws (22).

⁴ Pump housing (metric) includes housing (30), cover (45), gasket (44), and screws (46). Requires new screws (4), washers (5), screws (25), and screw (29).

⁵ Pump Housing Assembly includes housing (30), oil drain/plugs (32, 33, 34), cover (45), gasket (44), and screws (46). Requires new screws (4), washers (5), screws (25), and screw (29).

⁶ Loaded Cylinder Housing includes Fluid End parts (17 - 22) and Hydraulic End parts (50 - 61).

G-10 Hydraulic End (non-metallic pump head)



G-10 Hydraulic End (non-metallic pump head)

Ref. No.	Part Number	Description	Quantity/ Pump
50	D10-019-3110	Spring, Piston return	3
51	D10-042-1010	Retainer, Spring	3
	K10-042-1010	Retainer, Spring, Kel-Cell ⁵	3
52	D10-046-2110	O-ring, Valve cylinder, Buna	3
	C23-009-2110	O-ring, Valve cylinder, Buna, Kel-Cell ⁵	3
53	D10-045-3110	Spring, Sleeve valve	3
	D10-045-3111	Spring, Sleeve valve, PTFE diaphragm.....	3
	K10-045-3110	Spring, Sleeve valve, Kel-Cell ⁵	3
54	D10-044-1010	Valve Plunger	3
	K10-044-1010	Valve Plunger, Kel-Cell ⁵	3
55	D10-043-1010	Cylinder, Valve	3
	K10-043-1010	Cylinder, Valve, Kel-Cell ⁵	3
56	D10-034-2110	O-ring, Buna.....	3
57	D10-041-1010	Washer, Ball retainer.....	3
58	D10-015-3010	Ball	12
59	D10-014-1209	Piston with foot and retainer	3
	D10-014-1210	Piston Assembly, Buna ⁶	—
	K10-014-1210	Piston Assembly, Buna, Kel-Cell ^{5,6} ...	—
60	D10-075-2110	O-ring, Bearing adjusting plate, Buna	1
61	D10-012-1010	Bearing Adjusting Plate.....	1
62	D10-007-1210	(X) Cam Assembly, 29.0 lpm @ 1450 rpm ⁷	—
	D10-007-1211	(I) Cam Assembly, 12.5 lpm @ 1450 rpm ⁷	—
	D10-007-1212	(S) Cam Assembly, 18.9 lpm @ 1450 rpm ⁷	—
	D10-007-1214	(E) Cam Assembly, 25.2 lpm @ 1450 rpm ⁷	—
63	D10-085-2210	Key, Shaft.....	1
64	D10-031-2110	Seal , Buna.....	2
65	D10-037-2110	O-ring, Pump housing, Buna	1
66	D10-111-2401	Label, Caution, freezing.....	1
67	D10-111-2402	Label, Caution, check oil.....	1

⁵ Parts used in Kel-Cell version pumps (Kel-Cell version pumps are indicated by a “K” in the 5th digit of the pump model number).

⁶ Piston Assembly includes cylinder, foot, valve plunger, O-rings, spring retainer, and springs (50-59).

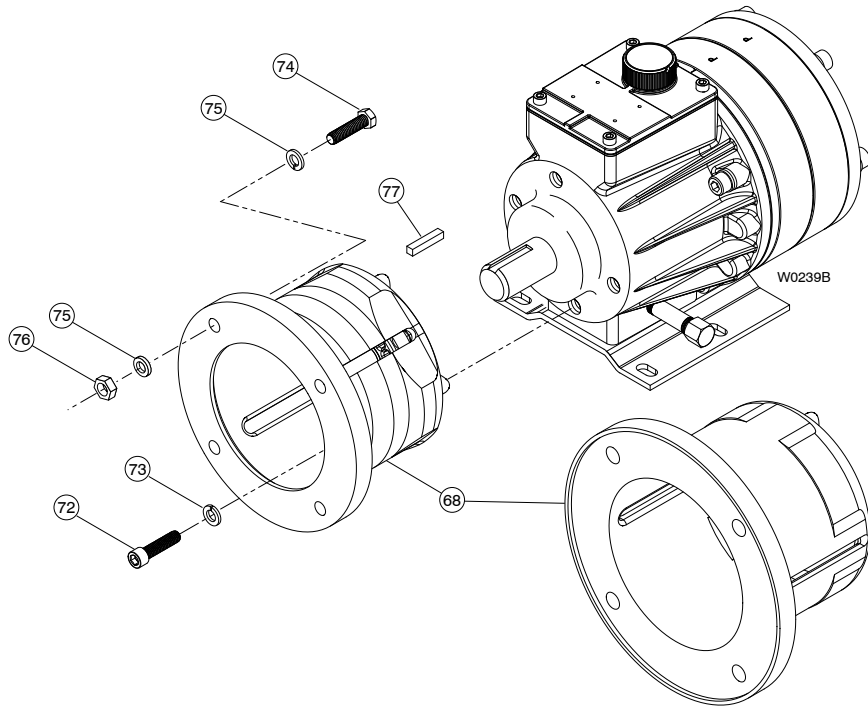
⁷ Cam Assembly includes cam, shaft, wobble plate, and bearings. It is only available as an assembly.

G-10 Adapter Kit (non-metallic pump head)

G-10 Pump/Motor Adapter Kit

For IEC 80-90 B5 Flange Motors (Complete Kit Part No. A04-003-1200)

For IEC 100-112 B5 Flange Motors (Complete Kit Part No. A04-004-1200)



Ref No.	Description	A04-003-1200 ¹ A04-001-1200 ²	A04-004-1200 ¹ A04-002-1200 ²	Qty/Kit
68	Pump/Motor Adapter	A04-031-1001 ¹ A04-032-1051 ²	A04-030-1001 ¹ A04-033-1051 ²	1 1
69*	Adapter Baseplate	A04-025-1010 ¹	—	1
70*	Screw, Cap, Hex-hd	D10-029-2010 ¹	—	4
71*	Lockwasher, Internal tooth	D10-054-2010 ¹	—	4
72	Screw, Cap, Soc-hd	G10-089-2010 M10	G10-089-2010 M10	4 4
73	Lockwasher, Split	G25-048-2011 M10	G25-048-2011 M10	4 4
74	Screw, Cap, Hex-hd,	A04-046-2010 M10	A04-043-2010 M12	4
75	Lockwasher, Split	A04-044-2010 M10	M10-111-2000 1/2 in.	8
76	Nut, Hex	A04-047-2010 M10	A04-045-2010 M12	4
77	Key, Short	A04-085-2210	A04-085-2210	1

¹ Used on G10 models prior to S/N 216283.

² Used on G10 models S/N 216283 and above.

* Not shown.

G-10 Series Replacement Parts Kits

(with non-metallic pump head)

TO ORDER REPLACEMENT PARTS KIT: A Replacement Parts Kit contains 11 digits corresponding to customer-specified design options.

1	2	3	4	5	6	7	8	9	10	11
---	---	---	---	---	---	---	---	---	----	----

Digit	Order Code	Description
1-3	G10	Pump Configuration For all G-10 Pumps
4		Kit Designator
	K	Complete Fluid End Kit
	D	Diaphragm Kit
	V	Valve Kit (diaphragm not included)
5-6	55	Pump Head Version Non-Metallic Pump Head Version
7		Diaphragm & O-ring Material
	E	EPDM
	G	Viton®-XT
	J	PTFE
	P	Neoprene
	T	Buna-N-XS
8		Valve Seat Material
	C	Ceramic
	D	Tungsten Carbide
	H	17-4 PH Stainless Steel
	S	316 Stainless Steel
	T	Hastelloy® C
	X	Not included in Diaphragm Kit
9		Valve Material
	C	Ceramic
	D	Tungsten Carbide
	F	17-4 PH Stainless Steel – Machined
	H	17-7 PH Stainless Steel – Stamped
	N	Nitronic 50
	T	Hastelloy® C
	X	Not included in Diaphragm Kit
10		Valve Springs
	E	Elgiloy®
	H	17-7 PH Stainless Steel
	T	Hastelloy® C
	X	Not included in Diaphragm Kit
11		Valve Spring Retainers
	C	Celcon
	M	Kynar®
	P	Polypropylene
	Y	Nylon (Zytel)
	X	Not included in Diaphragm Kit

Kit Contents

Part Number*	Description	Qty	Kit Designator		
			K	D	V
D10-018-___	Diaphragm	3	•	•	
D10-047-___	O-ring, Follower	3	•	•	
D10-109-___	O-ring, Outer manifold	1	•	•	•
D10-073-___	O-ring, Inner manifold	1	•	•	•
D10-083-___	O-ring, Center bolt	1	•	•	•
D10-035-___	O-ring, Valve seat	6	•		•
D10-020-___	Valve seat	6	•		•
D10-021-___	Valve	6	•		•
D10-022-___	Valve spring	6	•		•
D10-092-___	Tetra seal	6	•		•
D10-023-___	Retainer, Valve spring	6	•		•
D10-125-___	Washer, Dampening	6	•		•
A01-113-3400	Threadlocker	1	•	•	

* Last four digits of part numbers with – ___ refer to specific material of construction.



WANNER ENGINEERING, INC.

1204 Chestnut Avenue, Minneapolis, MN 55403
 TEL: (612) 332-5681 FAX: (612) 332-6937
 TOLL-FREE FAX [US only]: (800) 332-6812

www.hydra-cell.com
 email: sales@wannereng.com