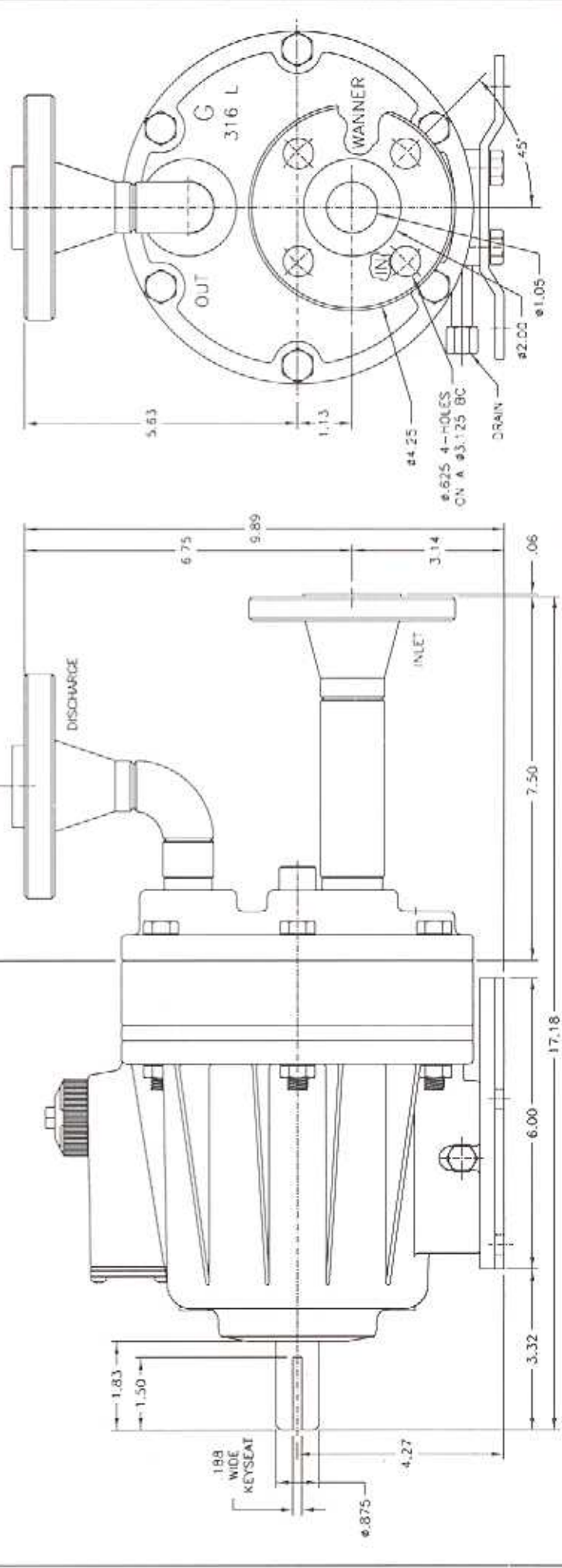
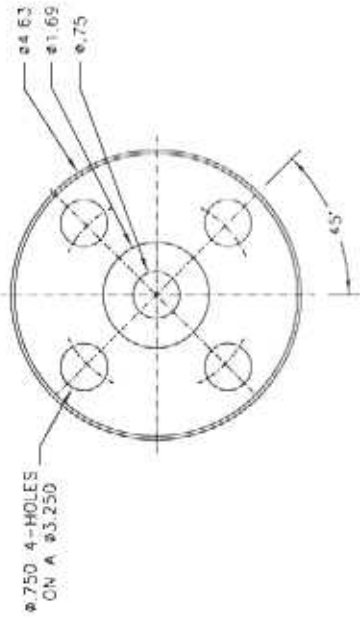
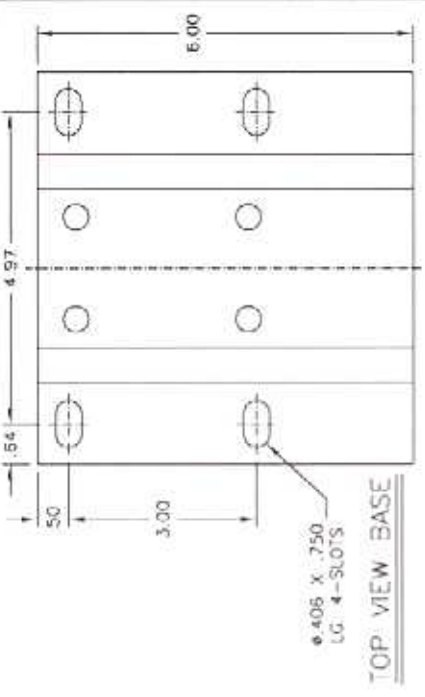


REV	DESCRIPTION	DATE	ECO	OWN
4	NEW RELEASE	04-23-01	0.06	GD



NO.	DATE	BY	CHKD.	APP'D.	DESCRIPTION
1	04-23-01	GD	GD	GD	NEW RELEASE

WANNER ENGINEERING INC  
3650 W. 13TH AVE. SUITE 100  
DENVER, CO 80202  
TEL: 303.751.1111 FAX: 303.751.1112  
WWW.WANNERENGINEERING.COM

USO 080102 FLG PLUMP  
OUTLINE DRAWING, D10 FLANGE  
REV  
D10-FLG-V-AL A