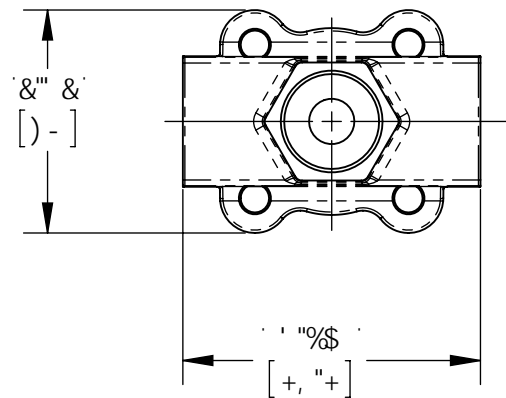
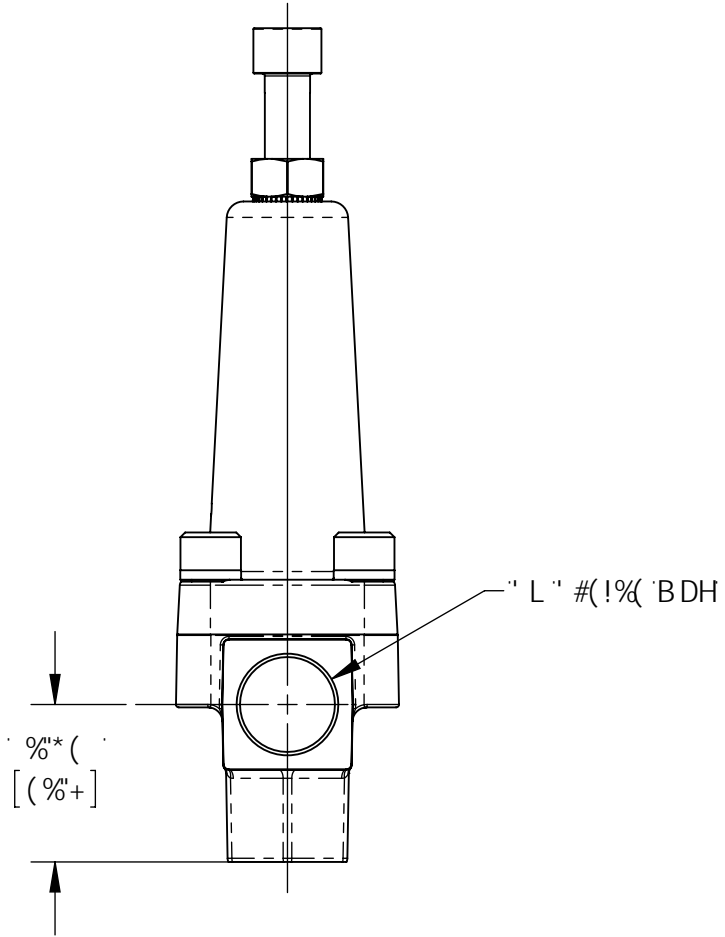
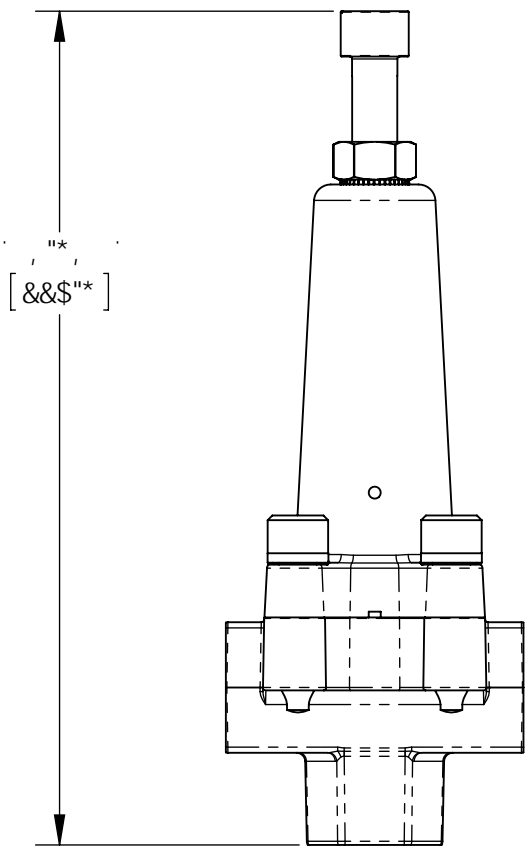


8K ; BC
7 * &

F9J €€ BG				
F9J	89G7 F €H€ B	85H9	97 C	8K B



DFC DF 9B5 FMG5 H9A 9B H
H-€8C 71 A 9BH7 C B15-BG
7 C B: 89B H5 @5B8
DFC DF 9B5 FM€: C FA 5H€ B
5B8 €BC HHC 69
F9DFC 81 7 98 C F H: 9
B: C FA 5H€ B 7 C B15-B98
H: 9F 9B B-€7 @€98 H C
C H: 9FGK H: C1 H7 C B€9B H€
B K F H B: Z: FCA
K 5BB9F 9B: B 99F B: Z B7 *

I B @9GC H: 9FK €9 GD97 € 98.
H C @9F5B7 9G
"L' 1' ± "%
"LL' 1' ± "%&
"LLL' 1' ± "%\$)
5B: @9G1 ± %°
: B €: %& / ✓

8K B
7 < ? F B
⊕ ⊖ H: F8 5B: @
DFC >97 H€ B
8C B CHG7 5 @98F5K B;
G< 99H% C: %
G7 5 @. %& : C FA . '66@

A 5H@	8K B	!!#!#!	LLL	K 5BB9F '9B; B 99F B; B 7 %\$(7 < 9GB1 H5J 9A BB95DC @GA B)) (\$'	GANP
				K 9! GHUfh5ggYa V mHYa d UHY	6
				8K ; BC	F9J
				7 * &	%