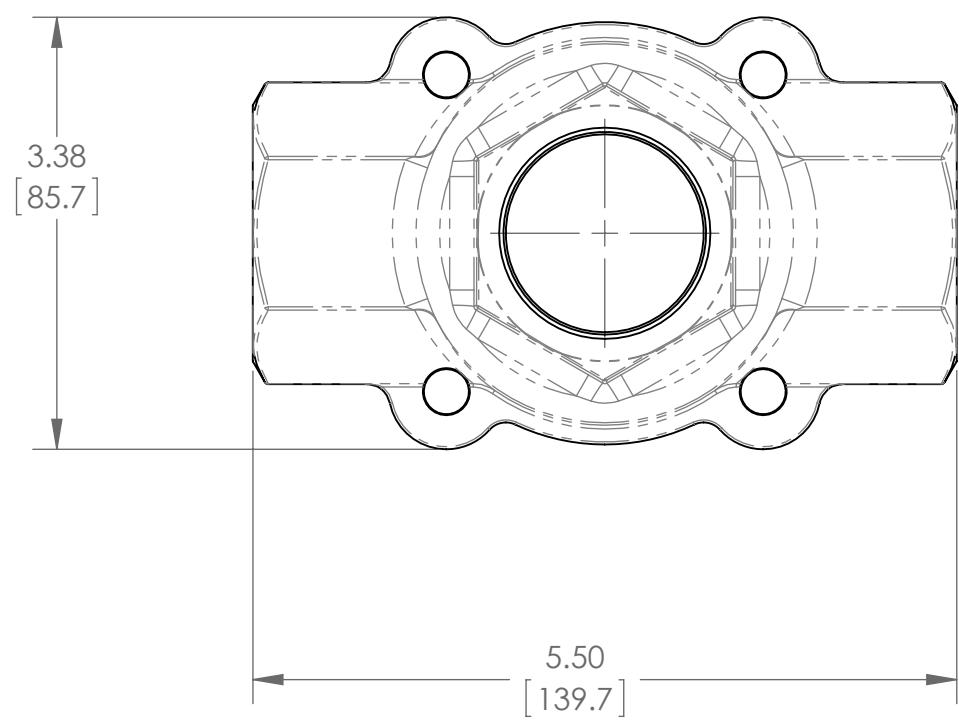
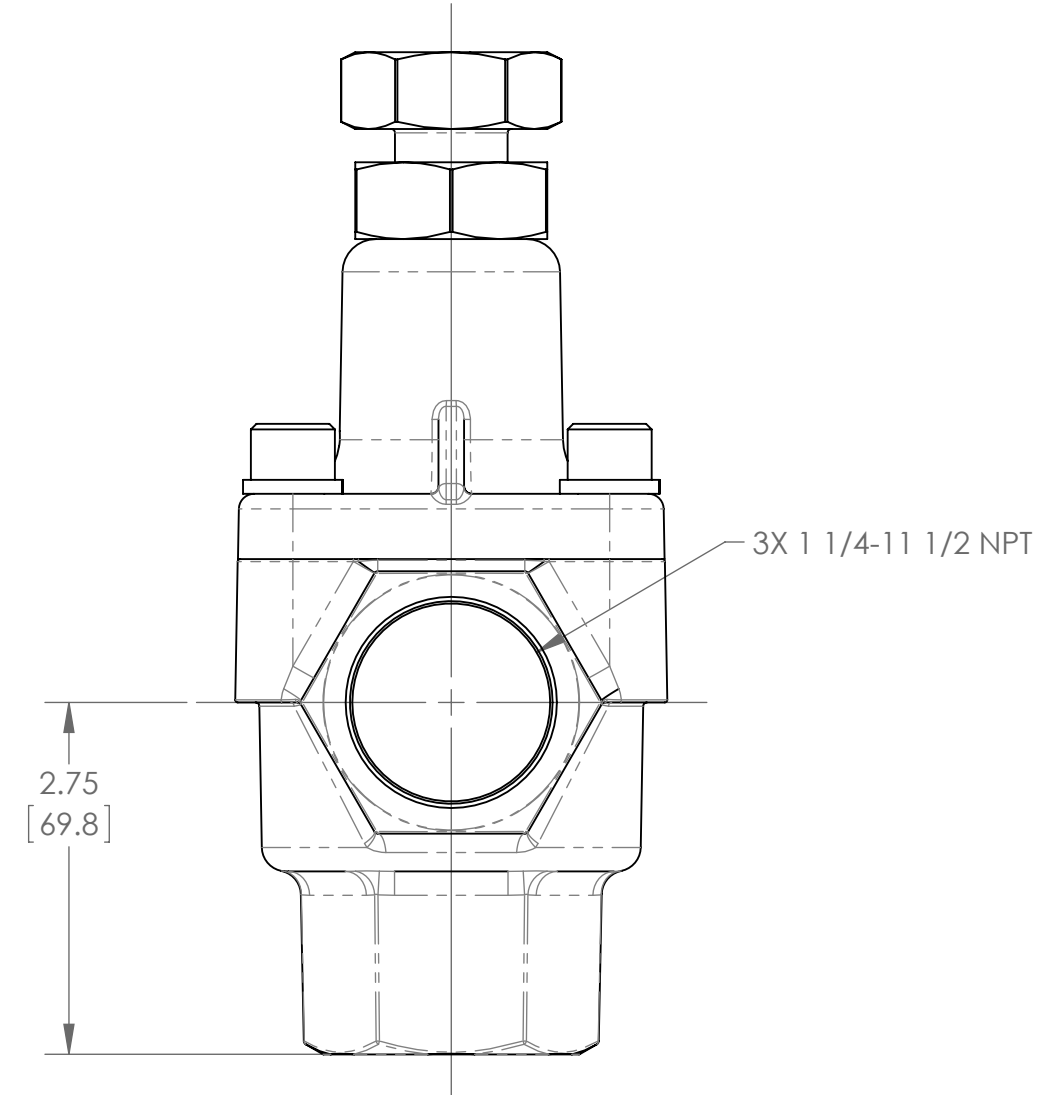
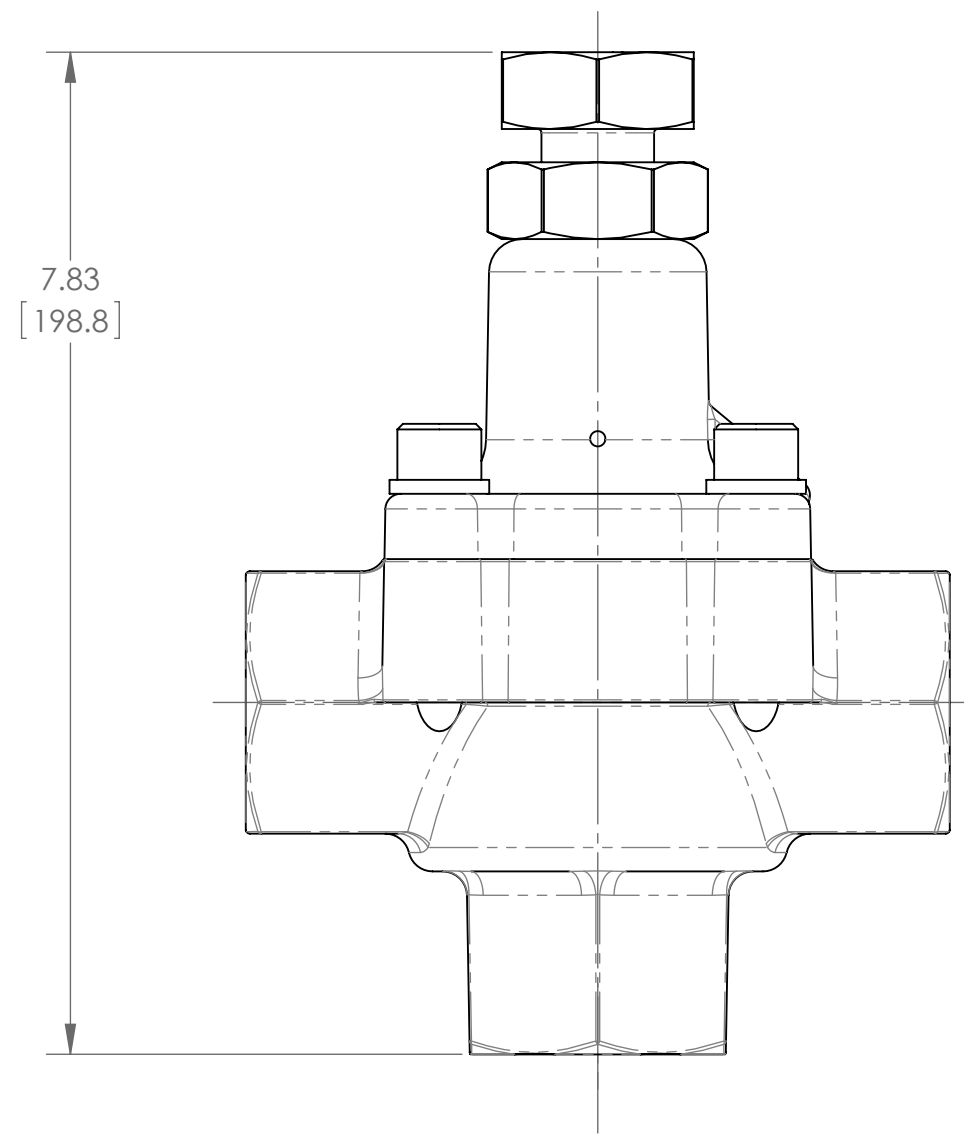


REVISIONS				
REV	DESCRIPTION	DATE	ECO	DWN



PROPRIETARY STATEMENT: THIS DOCUMENT CONTAINS CONFIDENTIAL AND PROPRIETARY INFORMATION AND IS NOT TO BE REPRODUCED OR THE INFORMATION CONTAINED THEREIN DISCLOSED TO OTHERS WITHOUT CONSENT, IN WRITING, FROM WANNER ENGINEERING, INC.	UNLESS OTHERWISE SPECIFIED:  -DIMENSIONS ARE IN INCHES. -INTERPRET DRAWING PER ASME Y14.5-2009. -DIMENSIONS ARE AFTER PLATING, COATING AND HEAT TREATING, BUT BEFORE PAINTING. -REMOVE ALL BURRS AND SHARP CORNERS.	TOLERANCES: .X = ± .1 .XX = ± .02 .XXX = ± .005  ANGLES = ± 1°  FINISH: 125/√	MAT'L	WANNER ENGINEERING INC 1204 CHESTNUT AVE MINNEAPOLIS MN 55403			
			DWN	---	XXX	TITLE	SIZE
			CHK'D	THIRD ANGLE PROJECTION		WE - Start Assembly Template	
			DO NOT SCALE DRAWING			DWG NO	REV
SHEET 1 OF 1			C24A	1			
SCALE: 2:3 FORM: CBLK							