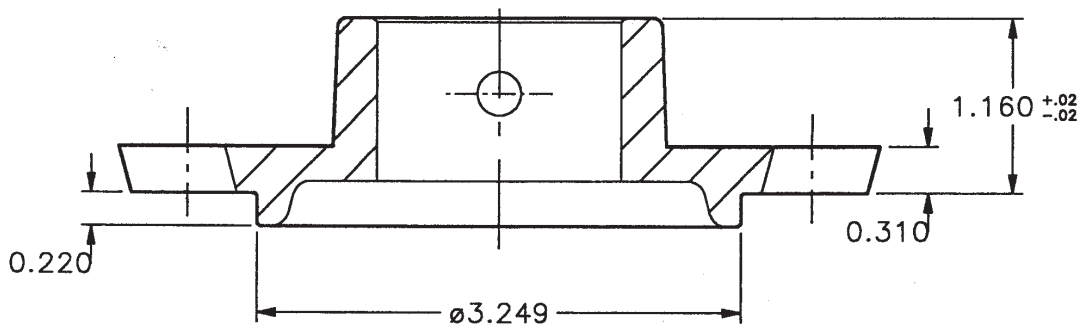
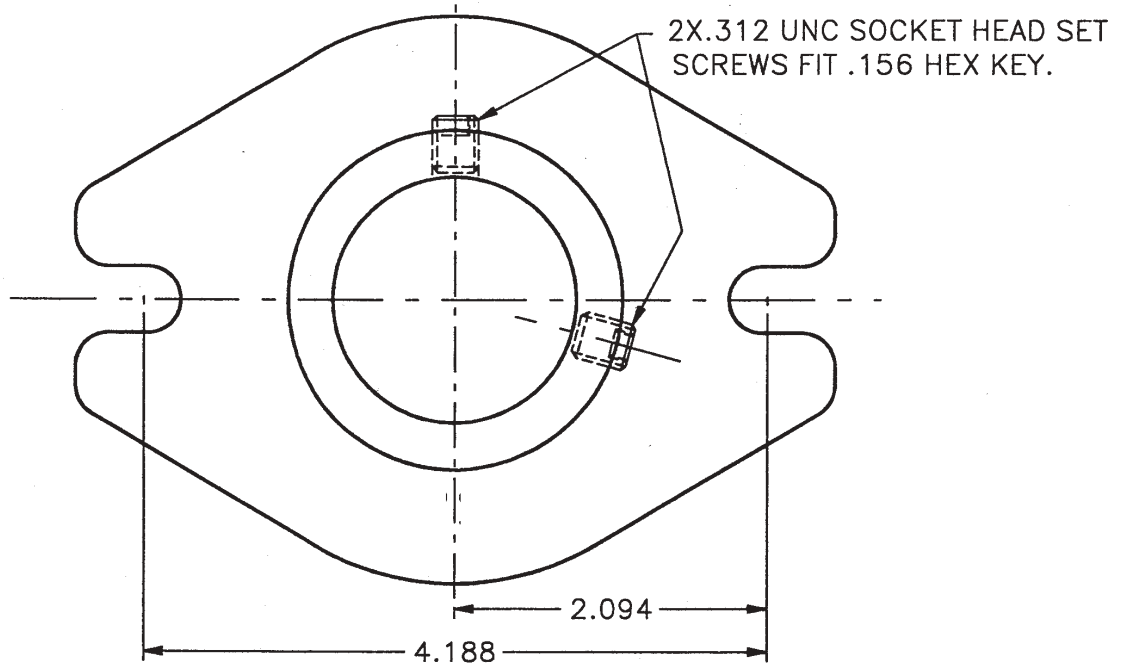


**SAE Style Mounting
Configuration, used for direct coupled
Model 1- 8U pumps**

NOTE: FITS HAIGHT HUB MOUNT PUMPS
NOTE: CONFORMS TO ANSI B93.6 82-2 CODE (SAE A)
PART NO. F48SAE



133 Enterprise Street • Evansville, WI 53536
Phone: 800-871-9250 • Fax: 608-882-3777

HAIGHT PUMPS
DIVISION OF: BAKER MANUFACTURING COMPANY