

**DIU SERIES SQUARE FLANGE
ROTARY GEAR PUMPS
SIZES 10, 15, 20, 24, 30 & 40 gpm**

Haight offers six sizes of pumps in the square flange DIU-Series. All sizes are available with a bolt-on Relief Valve which can function in either a return to suction, or return to tank mode. All DIU-Series pumps are interchangeable with earlier D & DR Series pumps

Compact, rugged, and easy to maintain, these pumps are ideally suited to close-coupled mounting to the motor or footed mounting. Haight Pumps bolt-on footed brackets match standard NEMA motor height, eliminating pump or motor shimming. Each bracket size is designed to align the pump and motor shaft heights without shim blocks.

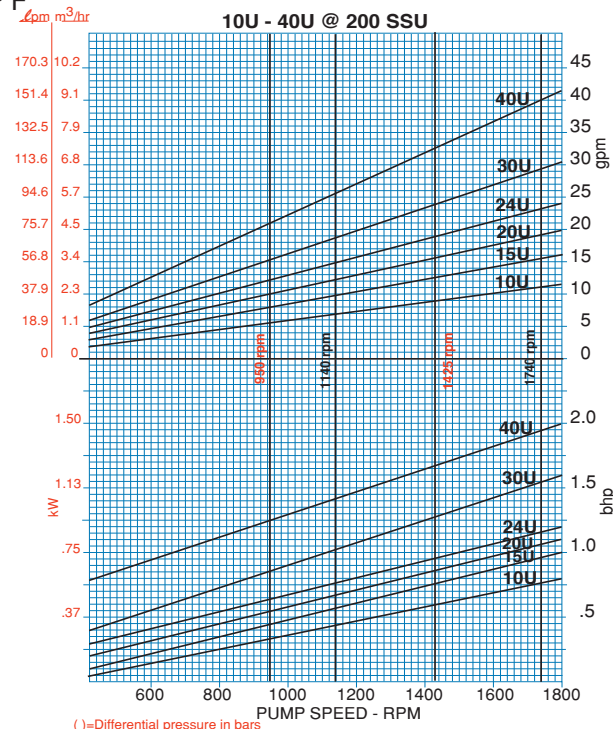
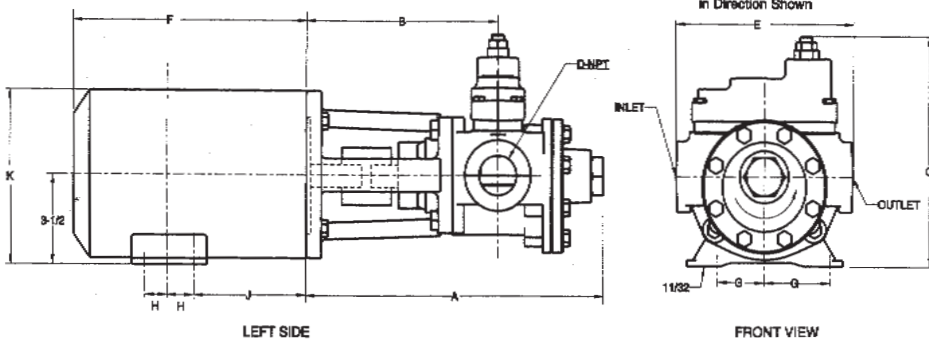


All Series DIU Square Flange Pumps feature

- standard motor speeds, eliminating the need for pulleys or gear reducers.
- involute gear design to minimize noise.
- self-lubricating gramix iron bearings.
- easy to maintain Buna-N lip seals, installed in the UniverSeal design for simple and quick replacements or change to an alternate shaft seal type.
- optional mounting brackets which are designed for in-line mounting with standard NEMA frame size motors.
- *optional bearing and seal materials which allow effective operation up to 625° F and 600 psi. (*consult factory)
- simple field conversion on relief valve models to tank return mode.
- field reversible seal vent.

Z56SO Bracket for 10-40 gpm Square Flanged Pumps with 56-145 frame footed motor

Model	A	B	C	D	E	F	G	H	J	K
10U	12 ⁵ / ₁₆	8 ¹ / ₆	8 ³¹ / ₃₂	1	7					
15U	12 ⁵ / ₁₆	8 ¹ / ₆	8 ³¹ / ₃₂	1 ¹ / ₄	7					
20U	12 ⁵ / ₁₆	8 ¹ / ₆	8 ³¹ / ₃₂	1 ¹ / ₄	7					
24U	12 ⁷ / ₁₆	8 ¹ / ₃₂	8 ³¹ / ₃₂	1 ¹ / ₂	7 ³ / ₈					
30U	12 ⁷ / ₁₆	8 ¹ / ₃₂	8 ³¹ / ₃₂	1 ¹ / ₂	7 ³ / ₈					
40U	12 ⁷ / ₁₆	8 ¹ / ₃₂	8 ³¹ / ₃₂	1 ¹ / ₂	7 ³ / ₈					
Frame										
56						9 ³ / ₄	2 ⁷ / ₁₆	1 ¹ / ₂	2 ⁹ / ₁₆	6 ³ / ₄
143						10	2 ³ / ₄	2	2 ³ / ₄	6 ¹³ / ₁₆
145						10	2 ³ / ₄	2 ¹ / ₂	2 ³ / ₄	6 ¹³ / ₁₆



For more information contact:

Haight Pumps 133 Enterprise Street • Evansville, WI 53536 Phone: 800-871-9250 • Fax: 608-882-3777

Website: haightpump.com