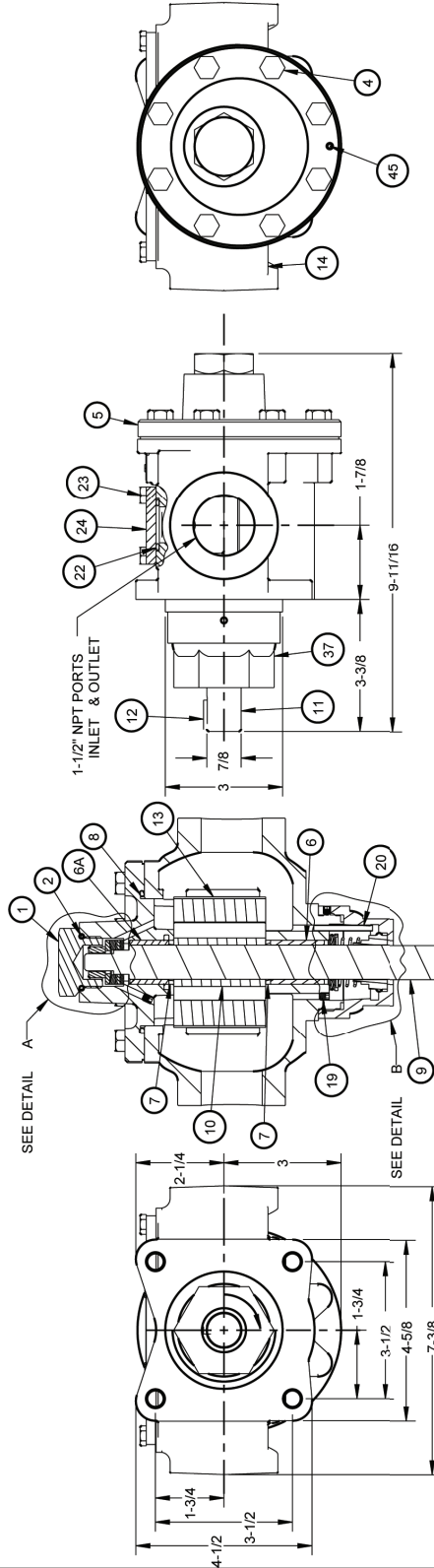
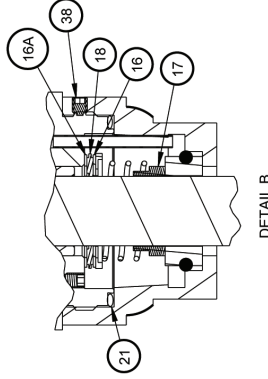
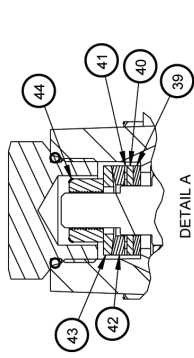


24U - 24 GPM Universal Pump

Item	Part No.	Description	Qty.	Item	Part No.	Description	Qty.
1	SAE16	Screw On Plug	1	18	H11TB2	Thrust Bearing	1
2	SE3916N70	O-Ring, Plug	1	19	E49E	Set Screw, Vent	2
4	KR364	Screw, Cover	8	20	F43C1	Pin	1
5	D2230A11	Cover	1	21	SE2137N70	O-Ring, Gland	1
6	H11F	Bearing	1	22	SE2122N90	O-Ring, Cover Plate	2
6A	H11F	Bearing	1	23	E90HC.6	Screw, Cover Plate	4
7	H21E	Wiper Seal	2	24	D1030CP	Cover Plate	1
8	H28E	O-Ring, Cover	1	37	H22SS2A	Gland	1
9	DU24C13MC7	Shaft & Pinion Assembly	1	38	E49D	Set Screw, Gland	1
10	D2215C1	Pinion	1	39	F25C2	Washer	1
11	D4014MC7	Shaft	1	40	F11TB2	Thrust Bearing	1
12	F18C75	Key, 3/16 Sq X 3/4 Lg	1	41	F25C3	Washer	1
13	D2226F1	Rotor	1	42	F25C5	Spherical Washer	1
14	D403A11M	Case	1	43	F25C4	Spherical Washer	1
16	H25C2	Washer	1	44	ZA532A	Nut	1
16A	H25C2	Washer	1	45	F41C	Pin	1
17	H18AM	Shaft Seal	1				



ROTATION ARROW DENOTES  
STANDARD CLOCKWISE ROTATION

SHAFT END VIEW      CUTAWAY VIEW BOTTOM      RIGHT SIDE      COVER END VIEW