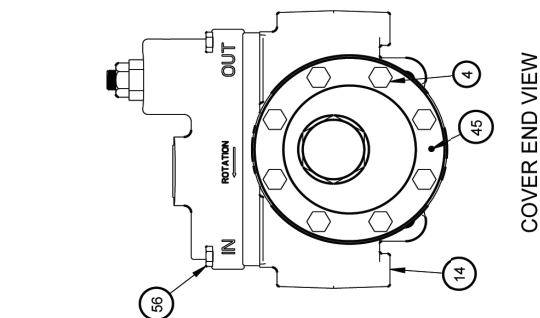
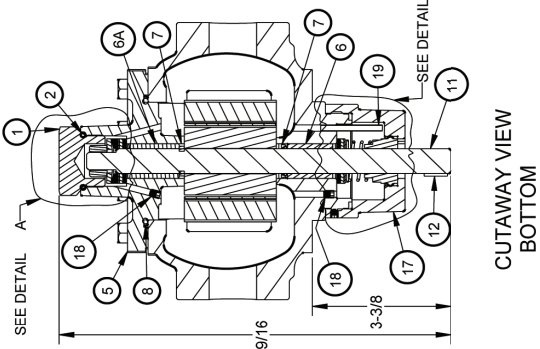
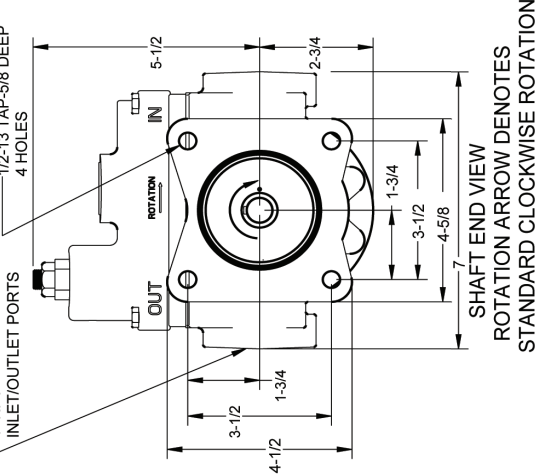
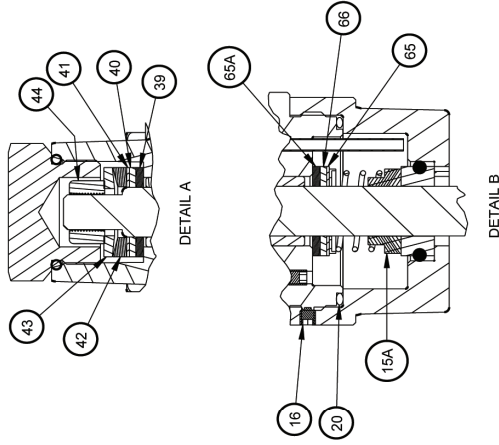


10UR - 10 GPM HAIGHT PUMP WITH RELIEF VALVE

Item	Part No.	Description	Qty.
1	SAE16	Screw On Plug	1
2	SE3916N70	O-Ring, Plug	1
4	PC262	Screw, Cover	8
5	D1030A11	Cover	1
6	F11F	Bearing	1
6A	F21E	Wiper Seal	2
7	F28E	O-Ring, Cover	1
8	DU10C13MC3	Shaft & Pinion Assembly	1
10	D1015C1	Pinion	1
11	D2014MC3	Shaft	1
12	F18C75	Key, 3/16 Sq X 3/4 Lg	1
13	D1026F1	Rotor	1
14	D203A11K	Case	1
15A	F18AM	Shaft Seal	1
16	E49D	Set Screw, Gland	1
17	F22SS2A	Gland	1
18	E49E	Set Screw, Vent	2
19	F43C1	Pin	1
20	SE2137N70	O-ring, Gland	1
22	SE2122N90	O-ring, Valve Body	2

Item	Part No.	Description	Qty.
39	F25C2	Washer	1
40	F11TB2	Thrust Bearing	1
41	F25C3	Washer	1
42	F25C5	Spherical Washer	1
43	F25C4	Spherical Washer	1
44	ZAS32A	Nut	1
45	F41C	Pin	1
56	E90HC1.2	Screw	4
57	FD55SA	Valve Body	1
58	F65C	Pipe Plug	1
59	RVP05	Piston	1
60	F92B	O-ring, Piston	1
61	H52M	Spring	1
62	F56A	Bonnet	1
63	E64JN	Nut	1
64	F55C	Adjustment Screw	1
65	F25C3	Washer	1
65A	F25C2	Washer	1
66	F11TB2	Thrust Bearing	1



10UR - 10 GPM
Universal Relief Valve Pump