



DIVISION OF: BAKER MANUFACTURING COMPANY

133 Enterprise Street • Evansville, WI 53536  
 Phone: 800-871-9250 • Fax: 608-882-3777

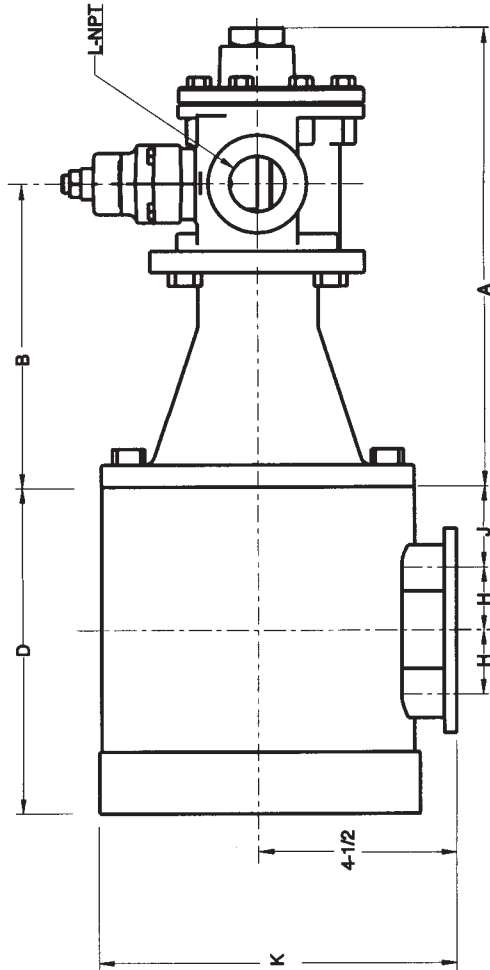
**Z182S Bracket for  
 10-40 GPM Square Flanged Pumps**

Z182S Bracket for 10-40 gpm Square Flanged Pumps with 182/184 frame footed motor

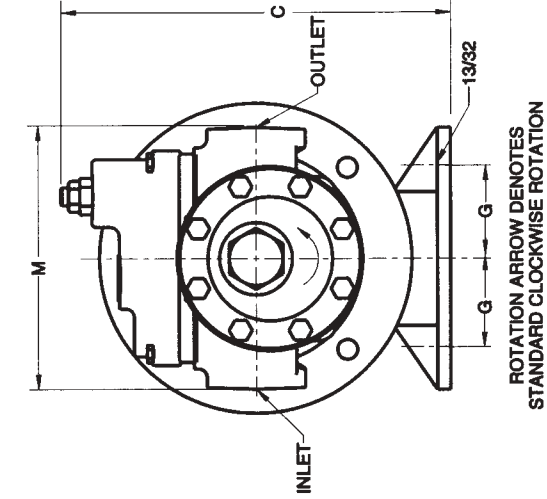
Z182S Bracket For 10-40 GPM Square Flanged Pumps

	A	B	C	L	M	D	G	H	J	K
10UR	12-7/8	8-19/32	9-31/32	1	7					
15UR	12-7/8	8-19/32	9-31/32	1-1/4	7					
20UR	12-7/8	8-19/32	9-31/32	1-1/4	7					
22UR	13	8-9/16	9-31/32	1-1/2	7-3/8					
30UR	13	8-9/16	9-31/32	1-1/2	7-3/8					
40UR	13	8-9/16	9/31/32	1-1/2	7-3/8					
FRAME						*	3-3/4	2-1/4	3-1/2	8-3/4
						*	3-3/4	2-3/4	3-1/2	8-3/4

\* \*D\* VARIES WITH FRAME USED



LEFT SIDE



FRONT VIEW

**Z182S Bracket for  
 10-40 GPM Square Flanged Pumps**