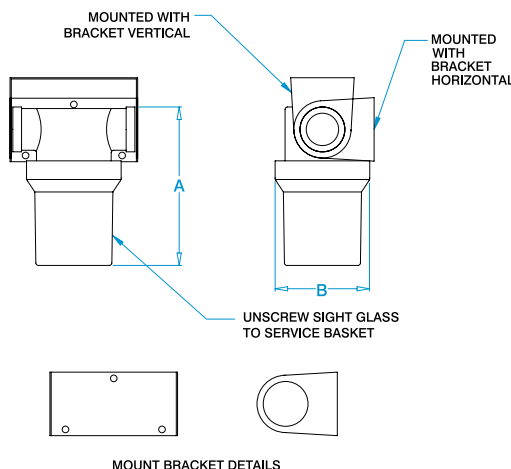


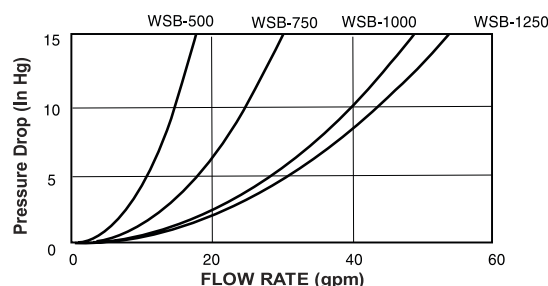
FEATURES

- Protect fresh water pumps from debris.
- White nylon strainer head and clear plastic sight glass. Glass unscrews for filter basket cleaning.
- Mount bracket included.
- Use WSB for fresh-water systems (#304 SS basket).
- Use WSB-P for salt-water or continuous duty AC or genset.



**WSB SERIES
#304 SS BASKET**
**WSB-P SERIES
NON-METALLIC BASKET**

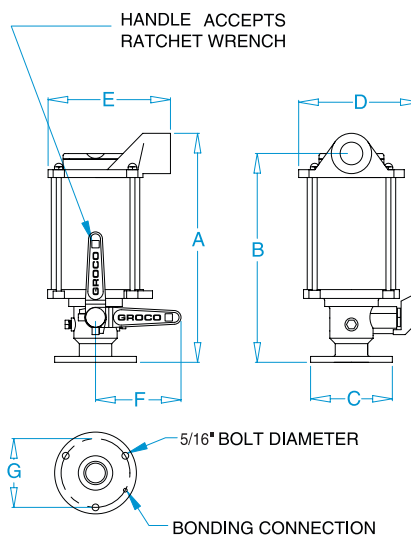
40-MESH #304 SS	NON- METALLIC	NPT PIPE SIZE	A	B	WEIGHT	PKG
WSB-500	WSB-500-P	1/2"	5.00	2.90	.38	4
WSB-750	WSB-750-P	3/4"	5.00	2.90	.40	4
WSB-1000	WSB-1000-P	1"	6.25	4.00	.90	6
WSB-1250	WSB-1250-P	1-1/4"	7.00	4.00	1.10	6



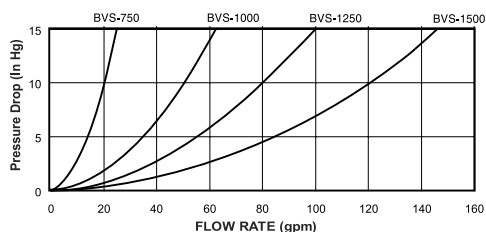
BVS SERIES - BALL VALVE / STRAINER COMBINATION

FEATURES

- Square hole in handle accepts standard ratchet.
- Space saving design with strainer and integral seacock.
- Just one component to install and just one bilge location to access for winterization and maintenance.
- No inside tie rods.
- Full flow ball valve with stainless steel ball and stem.
- Strainer has screw on/off cap.
- #304 stainless steel filter basket.



BVS SERIES



MODEL	PIPE SIZE	A	B	C	D	E	F	G	WEIGHT	RATIO*	PKG
BVS-750	3/4"	10.75	10.13	3.05	5.38	4.75	3.83	2.50	6.75#	33:1	1
BVS-1000	1"	11.25	10.25	4.13	6.50	6.25	4.35	3.50	11.33#	27:1	1
BVS-1250	1-1/4"	14.88	14.00	4.13	6.50	6.25	4.35	3.50	11.75#	26:1	1
BVS-1500	1-1/2"	15.00	13.75	5.25	8.00	8.00	5.50	4.50	16.75#	19:1	1

- *Ratio means the ratio of open filter basket area to cross-sectional pipe area.
- Filter baskets have .077" (2mm) holes.
- Add suffix "FM" for 60-mesh fine-mesh filter basket insert. Other mesh counts are available by special order.