

# TOILETS & SANITATION SYSTEMS

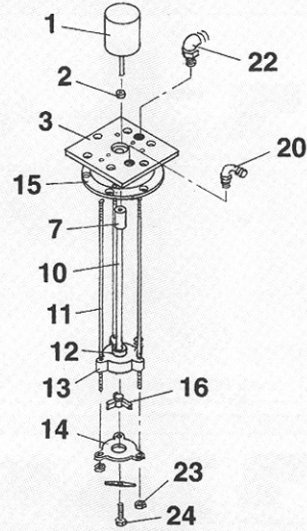
TOILETS & SANITATION

## MODEL MPT MACERATOR/DISCHARGE PUMPS

(Patented)

### PARTS & ASSEMBLY

ITEM	PART NO.		PART NAME	QTY.
	MPT-600 SERIES	MPT-720 SERIES		
1	(Voltage)-C-MPT	(Voltage)-RAE-MPT	Motor	1
2	037-075-8	037-075-8	Seal	1
3	MPT-602	MPT-722	Flange	1
7	MP-724	MP-724	Coupling	1
10	MP-728 (x length)	MPT-728 (x length)	Shaft	1
11	MP-725 (x length)	MP-725 (x length)	Tie Rod	3
12	MP-729	MP-729	Bushing (before S/N 1091)	1
	MP-729-A	MP-729-A	Bushing (After S/N 1091)	
13	MPT-600-B	MPT-720-B	Body Casting	1
14	MP-601	MP-721	Cover Casting	1
15	MP-726	MP-726	Gasket	1
16	MP603	MP723	Impeller	1
17	MP-727	MP-727	Blade	1
20	PTH-5062	PTH-5062	Vent	1
22	MPDC-750	MPDC-1000	Discharge	1
23	1420HS	1420HS	Nuts	12
24	1420X34HS	1420X34HS	Bolt	1



## MODEL MPS MACERATOR/DISCHARGE PUMPS

(Patented)

### PARTS & ASSEMBLY

ITEM	PART NO.		PART NAME	QTY.
	MPS-600 SERIES	MPS-720 SERIES		
1	BP-10-2	BP-10-2	Grommet	1
2	MPS-602	MPS-722	Flange	1
3	MPDC-750	MPDC-1000	Discharge	1
6	PTH-5062	PTH-5062	Vent	1
10	MP-726	MPT-726	Gasket	1
11	SBP-201	CP-5004	Boot	1
13	(Voltage)-C-MPS	(Voltage)-RAE-MPS	Motor	1
14	MP-725 (length)	MP-725 (length)	Tie Rod	3
15	037-075-8	037-075-8	Seal (before S/N 1191)	1
	06-037-9	06-037-9	Seal (After S/N 1191)	
16	MPS-600-B	MPS-720-B	Body Casting	1
17	MP-603	MP-723	Impeller	1
20	MP-601	MP-721	Cover Casting	1
25	MP-727	MP-727	Blade	1
26	1420X1HS	1420X1HS	Bolt	3
27	1428X12HS	1428X12HS	Bolt	1

