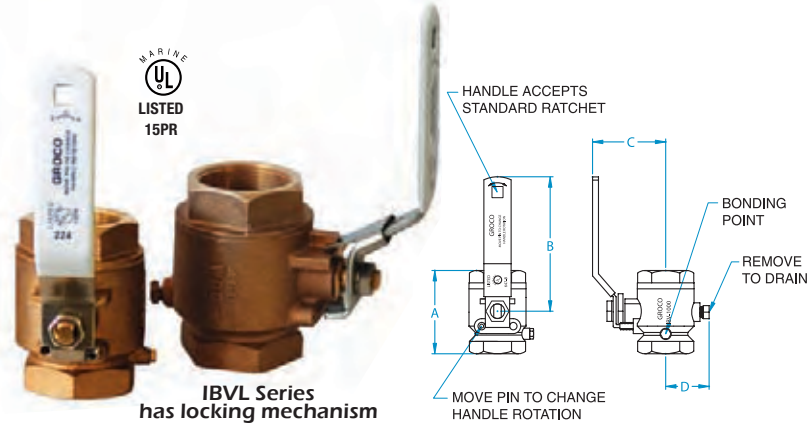


FULL-FLOW IN-LINE BALL VALVES

U.S. PATENT NO. 7,000,896

IBV SERIES

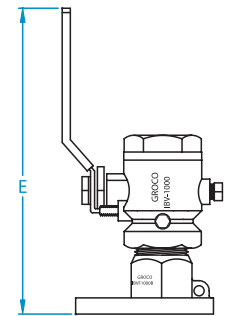


FEATURES

- Patented selectable handle rotation.
- Handle has square hole to accept standard ratchet, to help reach valves in hard-to-reach locations and ease actuation of difficult to operate valves.
- 400 WOG rated.
- Full flow.
- Stainless steel handle and hardware.
- Chrome plated solid brass ball (not a hollow ball).
- PTFE seats and seals.
- Bonding attachment.
- UL listed for fuel or water.
- Fits IBVF (see page 9) for Seacock Application.

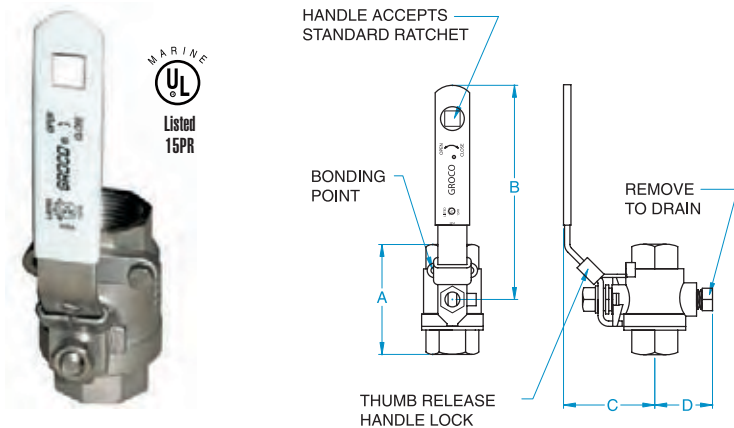
MODEL	PIPE	A	B	C	D	E	WEIGHT
IBV-250	1/4" NPT	1.77	4.48	1.99	1.08	-	0.48
IBV-375	3/8" NPT	1.77	4.48	1.99	1.08	-	0.46
IBV-500	1/2" NPT	2.05	5.10	2.26	1.14	-	0.74
IBV-750	3/4" NPT	2.33	5.15	2.27	1.26	7.55	1.00
IBV-1000*	1" NPT	2.79	5.93	2.48	1.47	7.58	1.70
IBV-1250	1-1/4" NPT	3.18	6.54	2.65	1.71	8.05	2.24
IBV-1500*	1-1/2" NPT	3.60	7.62	3.20	1.88	9.38	3.28
IBV-2000	2" NPT	4.30	9.13	3.59	2.17	10.85	4.56
IBV-2500	2-1/2" NPT	4.88	10.00	4.40	2.60	12.81	10.40
IBV-3000	3" NPT	6.87	10.75	4.75	3.00	14.85	17.54
IBV-4000	4" NPT	8.20	12.00	6.00	4.00	-	29.80

*Available with locking handle. Order IBVL-1000 or IBVL-1500.



IBV MOUNTED ON IBVF

IBV-S SERIES

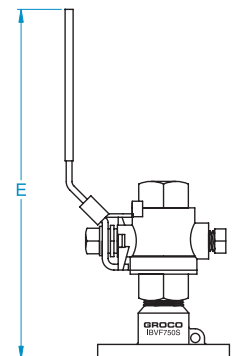


FEATURES

- Handle has square hole to accept standard ratchet (helps you to reach hard-to-reach valves and eases actuation of hard to operate valves).
- Handle has thumb-release locking mechanism to ensure the valve remains in the open or closed position you have selected.
- 1000 WOG rated.
- #304 SS handle and trim.
- #316 SS body.
- Bonding attachment.
- PTFE seats and seals.
- Full flow.
- UL listed for fuel or water.
- Fits IBVF-S (see page 9) for Seacock Application.

MODEL	PIPE	A	B	C	D	E	WEIGHT
IBV-250-S	1/4" NPT	2.20	3.92	1.83	0.61	-	0.61
IBV-375-S	3/8" NPT	2.20	3.92	1.83	0.61	-	0.57
IBV-500-S	1/2" NPT	2.48	3.92	1.90	1.28	-	0.66
IBV-750-S	3/4" NPT	2.98	4.98	2.43	1.38	8.17	1.28
IBV-1000-S	1" NPT	3.30	4.98	2.73	1.60	8.33	1.57
IBV-1250-S	1-1/4" NPT	3.86	6.02	3.18	1.80	9.65	2.71
IBV-1500-S	1-1/2" NPT	4.25	6.02	3.43	2.07	9.90	3.34
IBV-2000-S	2" NPT	4.75	7.56	3.76	2.40	11.66	5.45
IBV-2500-S	2-1/2" NPT	6.32	9.76	4.70	2.75	15.27	10.34
IBV-3000-S	3" NPT	7.33	9.76	5.12	4.00	15.83	21.60
IBV-4000-S	4" NPT	8.82	12.60	6.58	-	-	-

*Sizes 3/4" - 3" include drain plug



IBV-S MOUNTED ON IBVF-S