

HD Series Horizontal Duplex Strainers

Installation, Operation, and Maintenance

The Concept: Plumbing systems that require constant filtration but cannot be shut down for filter cleaning may be well served by GROCO HD Series Duplex Strainers. A centrally located valve diverts system flow to one side of the filter while the other side may be serviced.

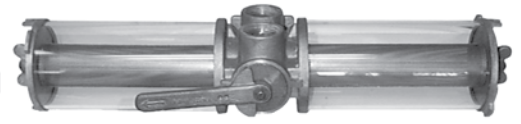
Installation: Choose a location for the HD Series strainer that will allow the handle to be actuated for filter selection, and that allows at least twelve inches (12") at each end of the assembly for filter basket removal and cleaning.

Bolt HD Series strainers to a suitably sturdy mount surface by bolting through the mount brackets located behind the valve body. Also utilize the brackets on the bottom end caps.

Plumbing: HD Series strainers have inlet and outlet ports threaded for NPT pipe connections. GROCO manufactures a full range of sizes of Full Flow and Standard Flow pipe-to-hose adaptors for this purpose, or threaded pipe may be used. Apply TFE thread tape to all pipe connections, and double clamp all hose connections.

Observe the "IN" and "OUT" markings on the top of the filter body.

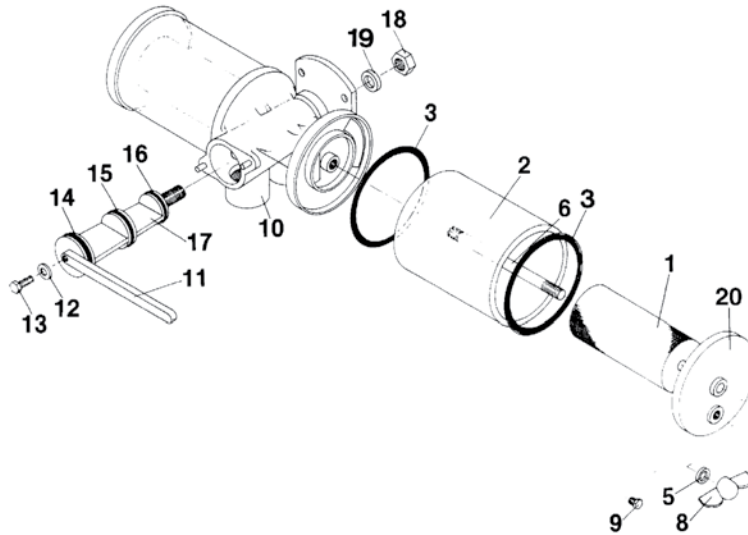
Operation: The position of the valve handle indicates which filter is in use. The other side may be disassembled for cleaning. Assure that the valve handle is actuated to a full stop position when selecting a new filter in-use position.



Maintenance: The position of the valve handle indicates which filter is in use. The other side may be disassembled for cleaning. Spin the center wingnut off and remove the bronze cover. The filter basket may be removed for cleaning. Inspect the cover gasket and replace if necessary.

Replace the filter basket, top cover, wingnut washer, and wingnut. Tighten the wingnut securely.

A drain plug is located on each bronze end cap that can be utilized to drain water from each filter chamber if desired.



ITEM	DESCRIPTION	HD-750	HD-1000	HD-1250	HD-1500-A	HD-2000-A	QTY
1	Filter Basket, #304 SS	SHD-77	SHD-77	SHD-77	SHD-86-A	SHD-99-A	2
	Filter Basket, Monel	HD-77	HD-77	HD-77	HD-86-A	HD-99-A	2
2	Sight Glass	S-77	S-77	S-77	S-88	S-88-B	2
	Enclosure, #316 SS	AS-77	AS-77	AS-77	AS-88	AS-88-B	2
• 3	Gasket	#8R	#8R	#8R	#10R	#10R	4
• 5	Washer	504-F	504-F	504-F	504-F	504-F	2
6	Tie Rod	HD-76	HD-76	HD-76	HD-84-A	HD-98-A	2
8	Wingnut	S-75	S-75	S-75	S-75	S-75	2
10-18	Body/Plug Assy.	HD-750 BPA	HD-1000 BPA	HD-1250 BPA	HD-1500-A BPA	HD-2000-A BPA	1
11	Valve Handle	-	-	-	VD-2502	VD-2502	1
12	Washer	-	-	-	24L	24L	1
13	Bolt	-	-	-	51618X34HB	51618X34HB	1
• 14	O-Ring	2-218	2-218	2-218	2-234	2-234	1
• 15	O-Ring	-	-	-	2-231	2-231	1
• 16	O-Ring	2-222	2-222	2-222	2-229	2-229	1
18	Hex Nut	5818HB	5818HB	5818HB	5818HB	5818HB	1
19	Washer	S-72-B	S-72-B	S-72-B	VD-B	VD-B	1
20	End Cap	S-73	S-73	S-73	HD-82-A	HD-82-A	1
•	Service Kit	HD-1	HD-1	HD-1	HD-2	HD-2	