

THE CONCEPT

155 Series waste macerator pumps make fast work (17 GPM) of holding tank pump-out. Sizes are available to fit any rigid holding tank (36" maximum depth, 1" inch increments), and since waste is macerated BEFORE it leaves the tank, smaller hose and overboard seacock (3/4") may be used in the discharge line.

NOTE: New pump installations require GROCO® #MP Hardware (tank hardware kit), ordered separately.

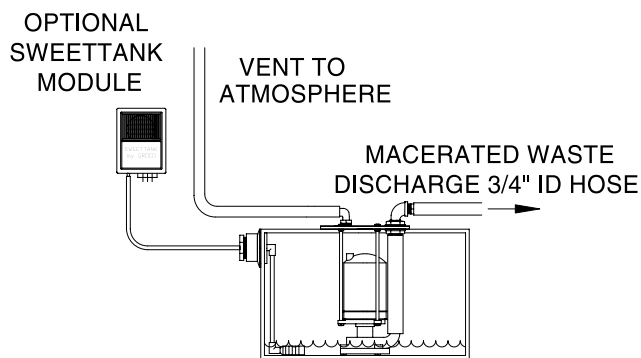
HOW TO ORDER

- Determine tank depth in inches, as measured from the top outside to the bottom inside.
- Order 155-61XX-YY
(XX = tank depth)
(YY = voltage)

SERVICE NOTE: 155 Series will fit the same mounting used for discontinued MPT or MPS series macerator pumps.

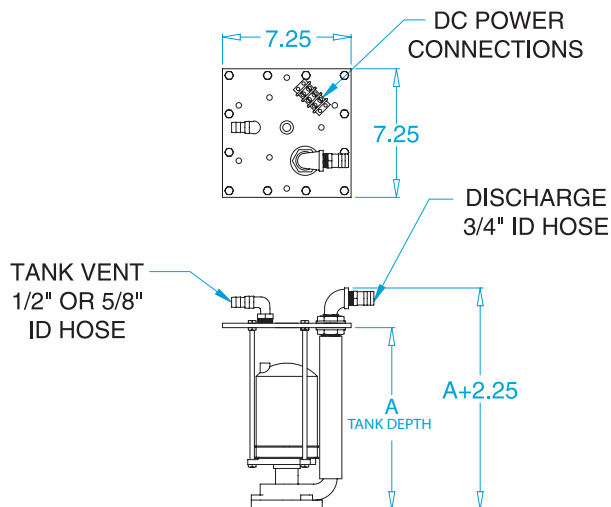


MODEL 155 MACERATOR PUMP



155 SERIES PUMP IS INSTALLED INTO THE TOP OF EXISTING HOLDING TANKS

SAMPLE INSTALLATION



NOTE: FITTINGS ON PUMP FLANGE HAVE BEEN RELOCATED FOR CLARITY

DIMENSIONS