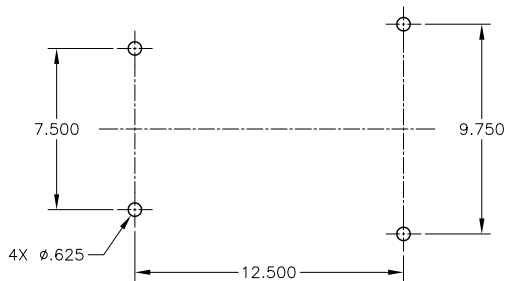
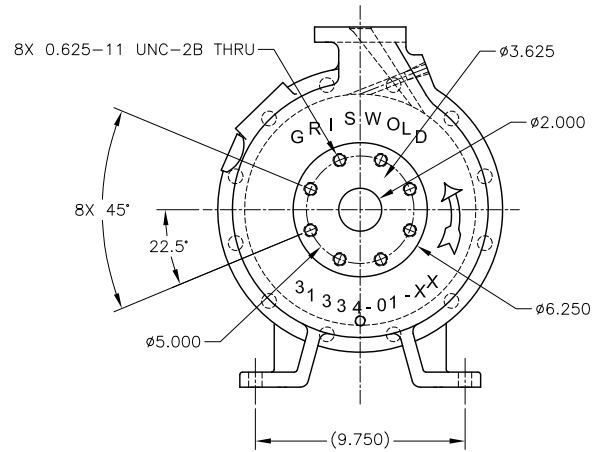
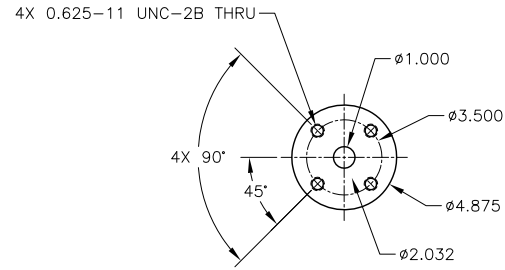
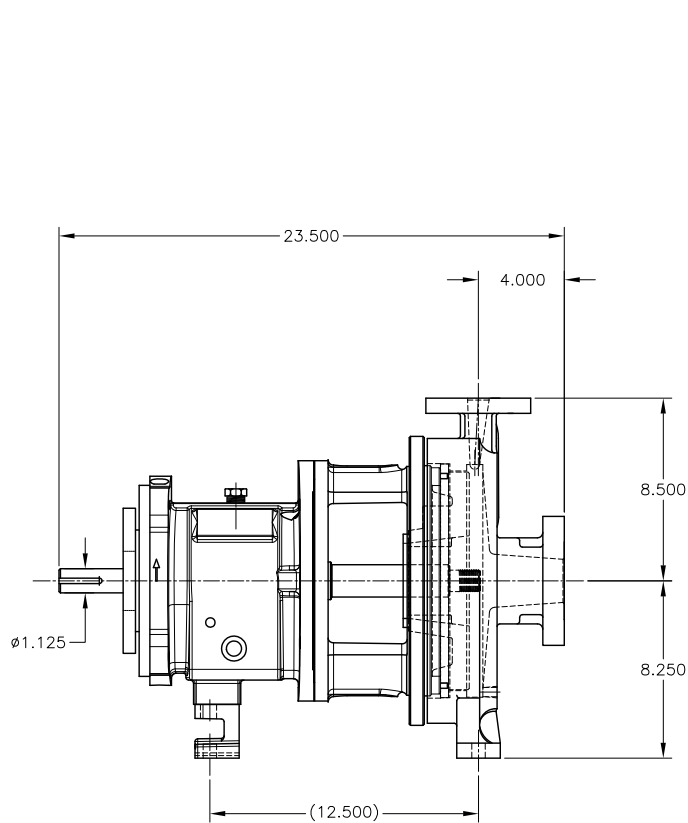


CAD generated and maintained drawing. All printed and electronic copies outside of Griswold's engineering database are "Uncontrolled" and shall be used for reference only.

NOTES: UNLESS OTHERWISE SPECIFIED

1. DIMENSIONS AND TOLERANCES PER ANSI Y14.5M-1982.
2. \* INDICATES DIMENSIONS AND/OR FEATURES MODIFIED ON CURRENT REVISION LEVEL.

REV.	DESCRIPTION	BY	APP.	DATE
A	2 X 1 - 10LF A05 ANSI ASSEMBLY		M.H.	



THIS DOCUMENT AND ITS CONTENTS ARE PROPRIETARY TO WILSON PUMP AND ENGINEERING CO. ANY REPRODUCTION, DISCLOSURE OR USE OF THIS DOCUMENT IS EXPRESSLY PROHIBITED EXCEPT AS OTHERWISE AGREED TO IN WRITING.

DO NOT SCALE DRAWING	
UNLESS OTHERWISE SPECIFIED DIMENSIONS ARE IN INCHES	
TOLERANCES ARE:	
FRACTIONS	± -
DECIMALS .XX	± -
.XXX	± -
ANGLES	± -
SCALE 1/1	SHEET 1 OF 1



GRISWOLD PUMP COMPANY  
22080 VAN BUREN ST.  
GRAND TERRACE, CA 92313  
PHONE: (800) 843-2223, FAX: (800) 752-2929

TITLE ASSEMBLY, 2 X 1 - 10LF A05 ANSI  
300# FLAT FACE FLANGES

DRAWN BY M. HIATT	DATE 06/17/10	ASSY. NO.
CHECKED BY	DATE	DRAWING NO.
APPROVED BY	DATE	2110LFA05
		REV. A