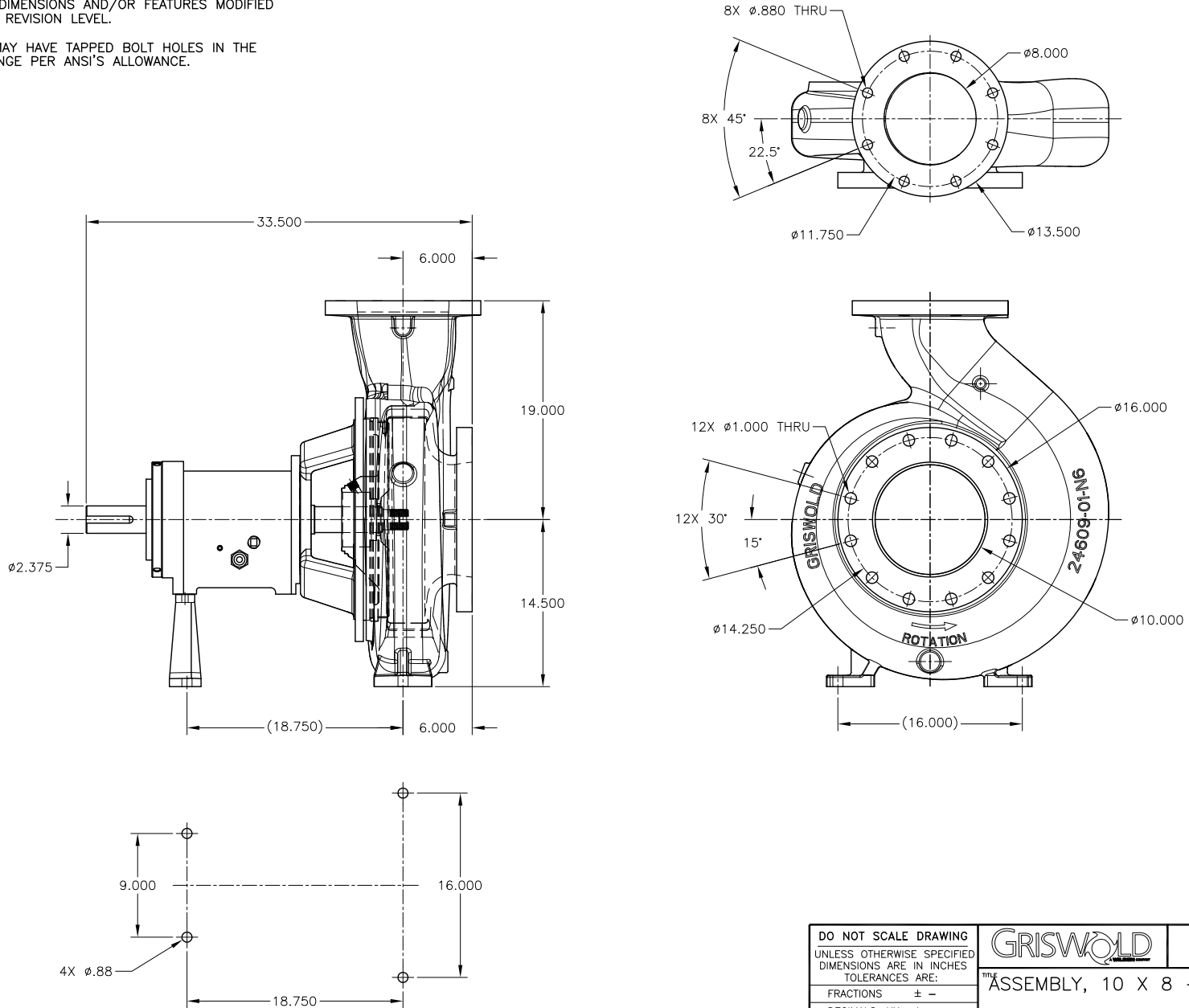


REV.	DESCRIPTION	BY	APP.	DATE
A	10 X 8 - 17 A120 ANSI ASSEMBLY	M.H.		

NOTES: UNLESS OTHERWISE SPECIFIED

1. DIMENSIONS AND TOLERANCES PER ANSI Y14.5M-1982.
2. * INDICATES DIMENSIONS AND/OR FEATURES MODIFIED ON CURRENT REVISION LEVEL.
- * 3. THIS PUMP MAY HAVE TAPPED BOLT HOLES IN THE SUCTION FLANGE PER ANSI'S ALLOWANCE.



THIS DOCUMENT AND ITS CONTENTS ARE PROPRIETARY TO WILSON PUMP AND ENGINEERING CO. ANY REPRODUCTION, DISCLOSURE OR USE OF THIS DOCUMENT IS EXPRESSLY PROHIBITED EXCEPT AS OTHERWISE AGREED TO IN WRITING.

DO NOT SCALE DRAWING	
UNLESS OTHERWISE SPECIFIED	
DIMENSIONS ARE IN INCHES	
TOLERANCES ARE:	
FRACTIONS	\pm -
DECIMALS .XX	\pm -
.XXX	\pm -
ANGLES	\pm -
SCALE 1/1	SHEET 1 OF 1

GRISWOLD		GRISWOLD PUMP COMPANY	
170 8th Street		Thomasville, GA 31792	
PHONE: (800) 843-9222, FAX: (800) 752-2928			
TITLE: ASSEMBLY, 10 X 8 - 17 A120 ANSI			
DRAWN BY M. HIATT	DATE 12/23/10	ASSY. NO.	
CHECKED BY	DATE	DRAWING NO.	REV.
APPROVED BY	DATE	10817A120 A	