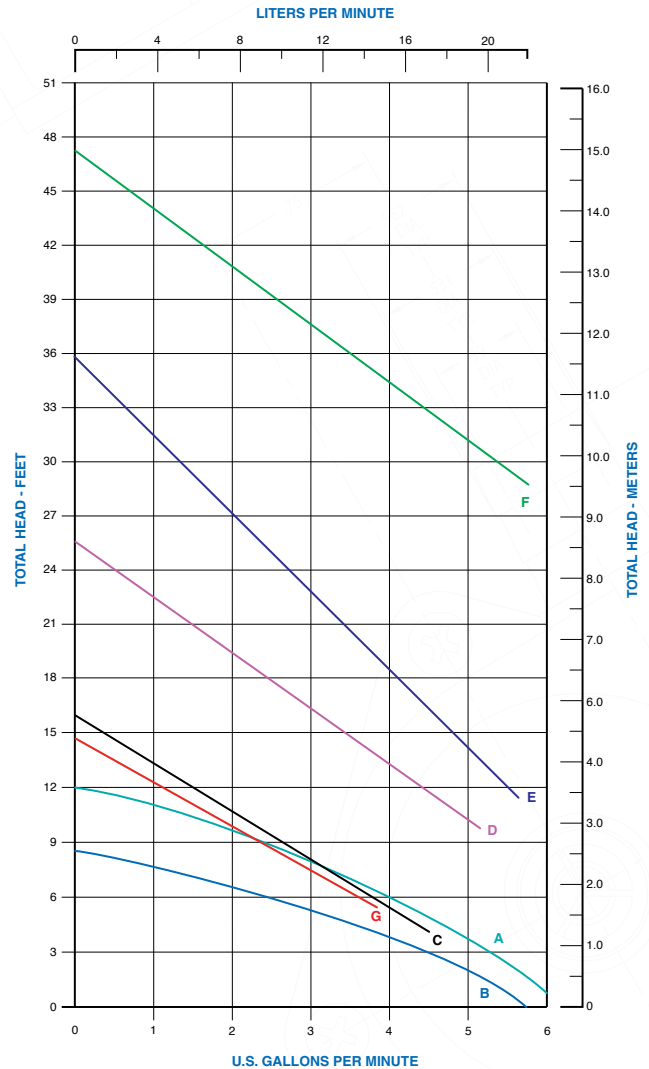


17650 Series Magnetic Drive Pump **Ask us about available OEM options**

Specifications	
Flow Rates	Max Range: 10.5 gpm
	Max Head: 57 ft
	Max Sys. Pressure: 75 psi
Fluid Temp. Max	160°F (71°C)
Materials in contact with solution / OEM options	
Body and Housing	<ul style="list-style-type: none"> • Vectra®* • Noryl® • NSF certified models available • 3/8" MNPT
Impeller	Vectra®
Bearings	Vectra®
Pump Shaft	Ceramic
Thrust Bearings	<ul style="list-style-type: none"> • Glass-Filled Teflon® • Reinforced Thermoplastic Resin • Vectra®
O-Rings (Elastomers)	• EPT/EPDM
Motor specifications / OEM options	
Motor Specs	<ul style="list-style-type: none"> • 115V, 50/60 Hz • 230V, 50/60 Hz • Drip-Proof • Shaded Pole • 12Vdc Brushed-Type & brushless • 24Vdc Brushed-Type & brushless
Features	
Corrosion Resistant	Dry run capability
Hydraulically efficient	Quiet operation
No shaft seals	Flexible mounting and body discharge positions
Low current draw and heat rise	NSF certified models available

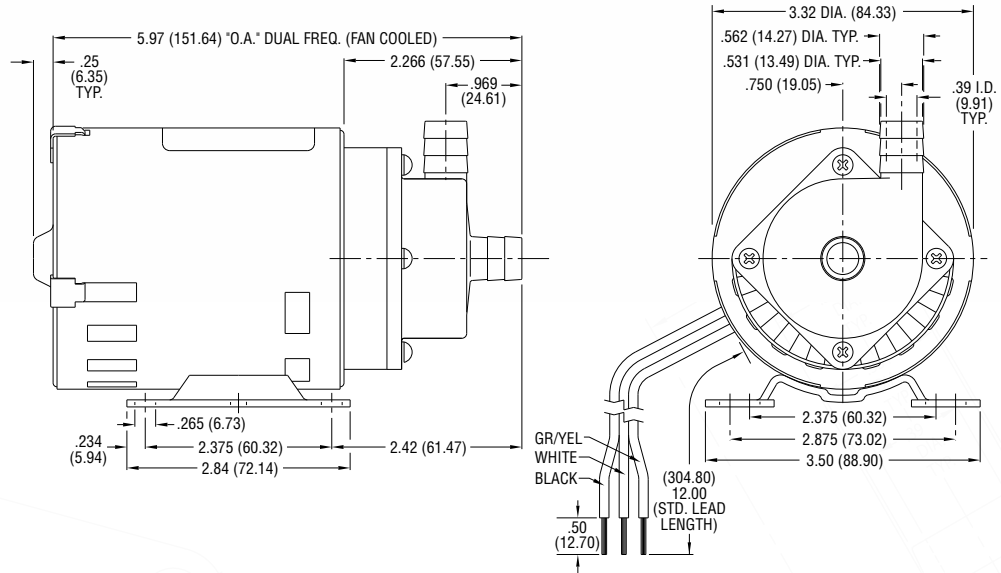


A - 60 Hz curve. B - 50 Hz curve. C - 12VDC curve. D - 12V BLDC curve.
 E - 12V & 24V BLDC curve. F - 24V BLDC curve. G - 12VDC curve.



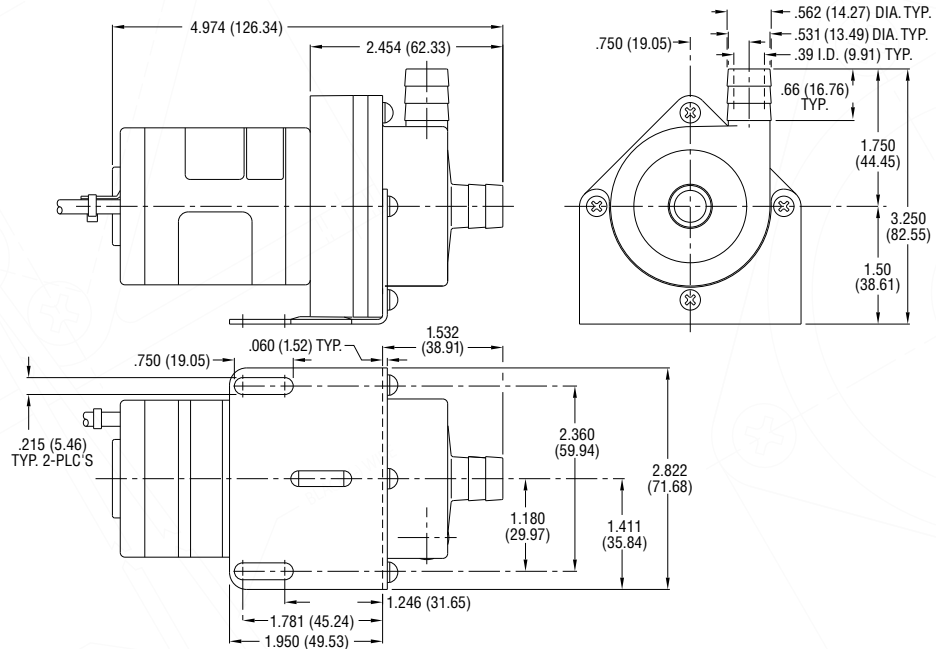
**17650 Series
AC Models:**

- 17651-050
- 17651-051
- 17651-052
- 17651-053
- 17651-054
- 17651-055
- 17651-056
- 17651-057



**17650 Series
DC Models:**

- 17651-058
- 17651-059



Dimensions in Inches
(Dimensions in Millimeters)