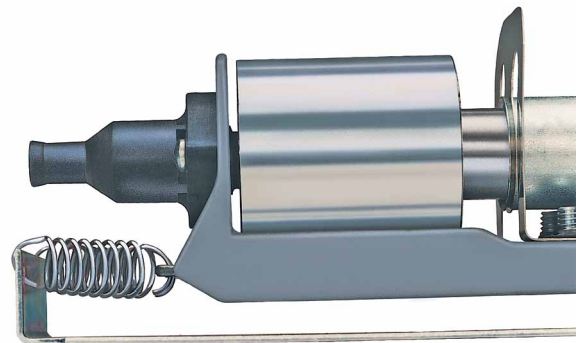
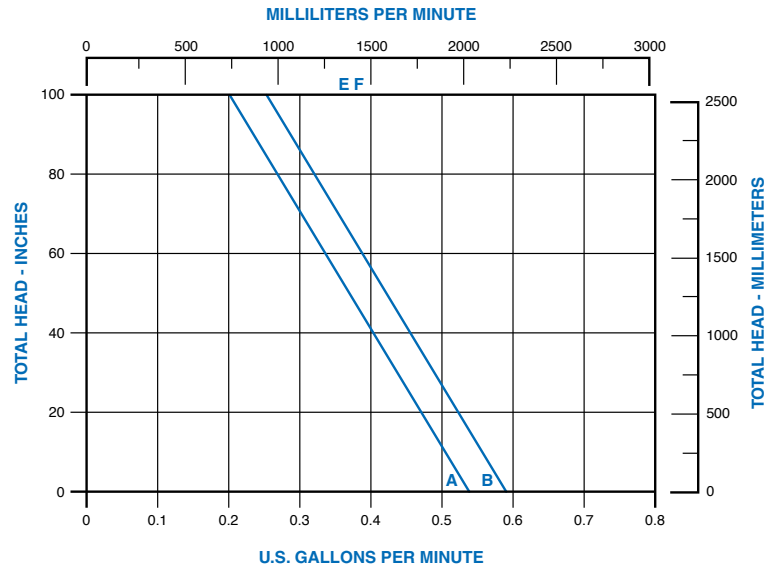
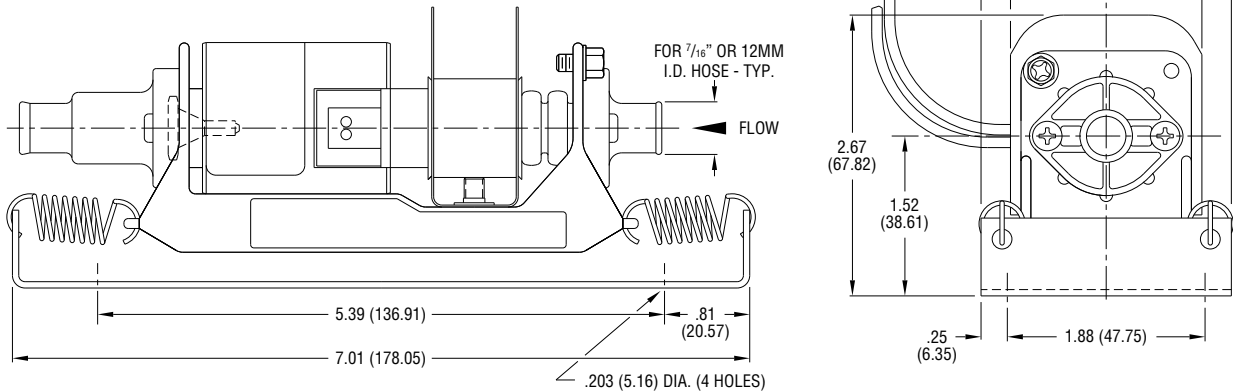


14825 Series Oscillating Pump • Ask us about available OEM options

Specifications	
Flow Rates	0.2 to 0.8 gpm. Refer to performance curve. Actual flow may be higher and may vary from pump to pump. Due to this inherent characteristic, these pumps are not normally intended for metering.
Discharge Head	To 8.3 feet (on standard models).
Self-priming	To 48 inches (on standard models).
Fluid Temp. Max	104°F (40°C)
Weight	Approx. 1 lb
Materials in contact with solution / OEM options	
Connectors	Glass-Reinforced Polypropylene.
Impeller	EPT, FKM, Butyl
Discharge Check Valve	EPT, FKM, Butyl
<ul style="list-style-type: none"> Refer to the Chemical Resistance Section to help determine compatibility. (Use only elastomers with "A" rating for standard oscillating pumps.) For aggressive-chemistry applications, contact GRI for special Glass-Ball Center Valve Oscillating Pumps (U.S. Patent 5,567,131). 	
Motor specifications / OEM options	
Motor Specs	<ul style="list-style-type: none"> 115V, 230V50/60 Hz AC requires diode DC requires pulsed voltage (on & off approximately 50-60 times/sec.
Features	
Self-priming	No dynamic seals
Compact	Lightweight
Economical	Can operate continuously
Moisture & corrosion resistant coil	Outlet valve styles: Poppet - prevents backflow thru pump
Outlet valve styles: 2-Piece - allows higher flow; no backflow prevention	Leaf Spring - extremely quiet



Leaf Spring Model - Typical Dimensions



Dimensions in Inches (Dimensions in Millimeters)