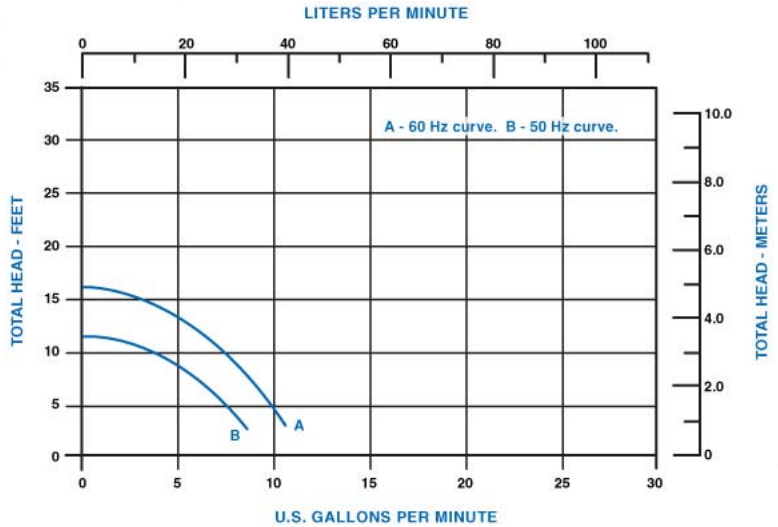
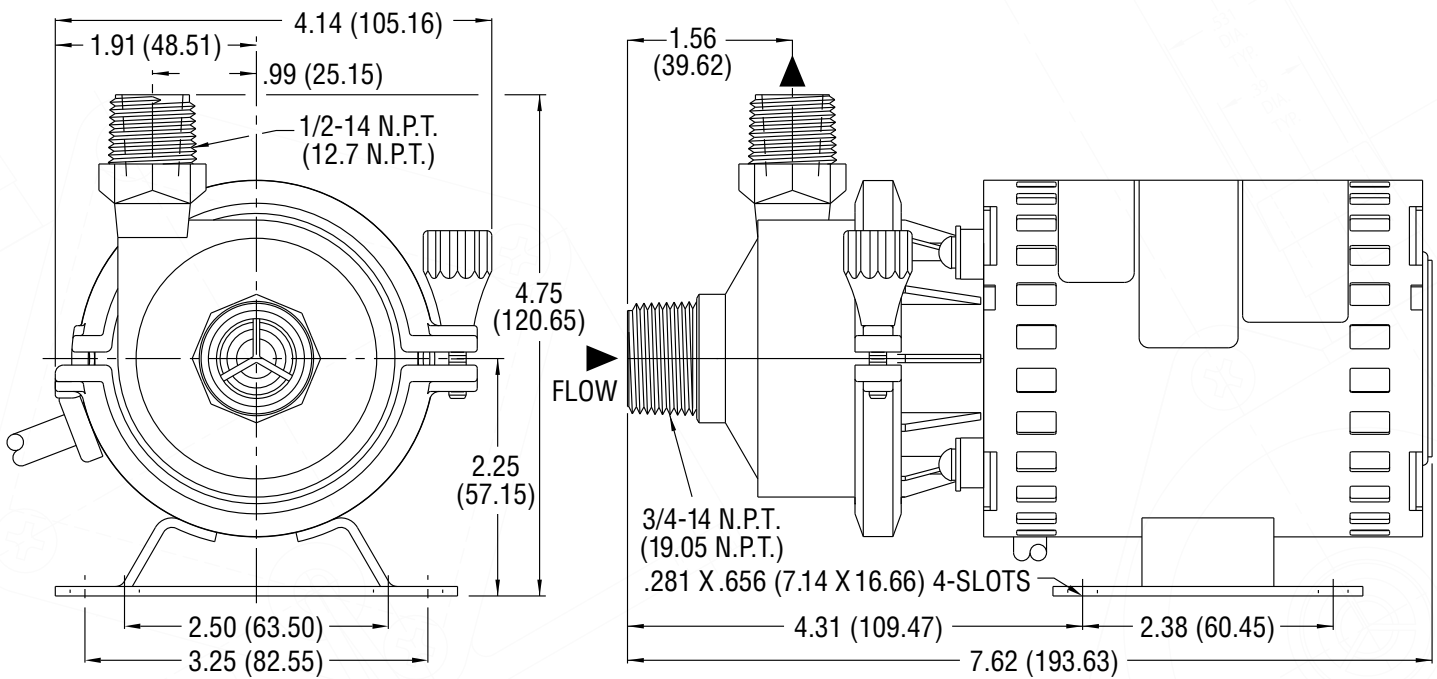


14110 Series Magnetic Drive Pump **Ask us about available OEM options**

Specifications	
Flow Rates	Max Range: 11 gpm
	Max Head: 16 ft
	Max Sys. Pressure: 25 psi
Fluid Temp. Max	180°F (82°C)
Materials in contact with solution / OEM options	
Body	Ryton®
Impeller	Ryton® with Epoxy adhesive
Adaptor	Ryton®
Pump Shaft	Ceramic
Impeller Bearings	Resin Impregnated Carbon
Front Thrust Bearings	Glass-Filled Teflon®
Rear Thrust Bearings	Ceramic
O-Rings (Elastomers)	<ul style="list-style-type: none"> • EPT/EPDM • Viton®/Fluoroelastomer • Nitrile • Neoprene • Silicone • Kel-F®
Motor specifications / OEM options	
Motor Specs	<ul style="list-style-type: none"> • 115V, 50/60 hz • 230V, 50/60 hz • Vented • Shaded pole • Thermally protected • Tefc/psa
Features	
Corrosion Resistant	Dry run capability
Hydraulically efficient	Quiet operation
No shaft seals	Flexible mounting and body discharge positions
Low current draw and heat rise	NSF certified models available





Dimensions in Inches
 (Dimensions in Millimeters)