

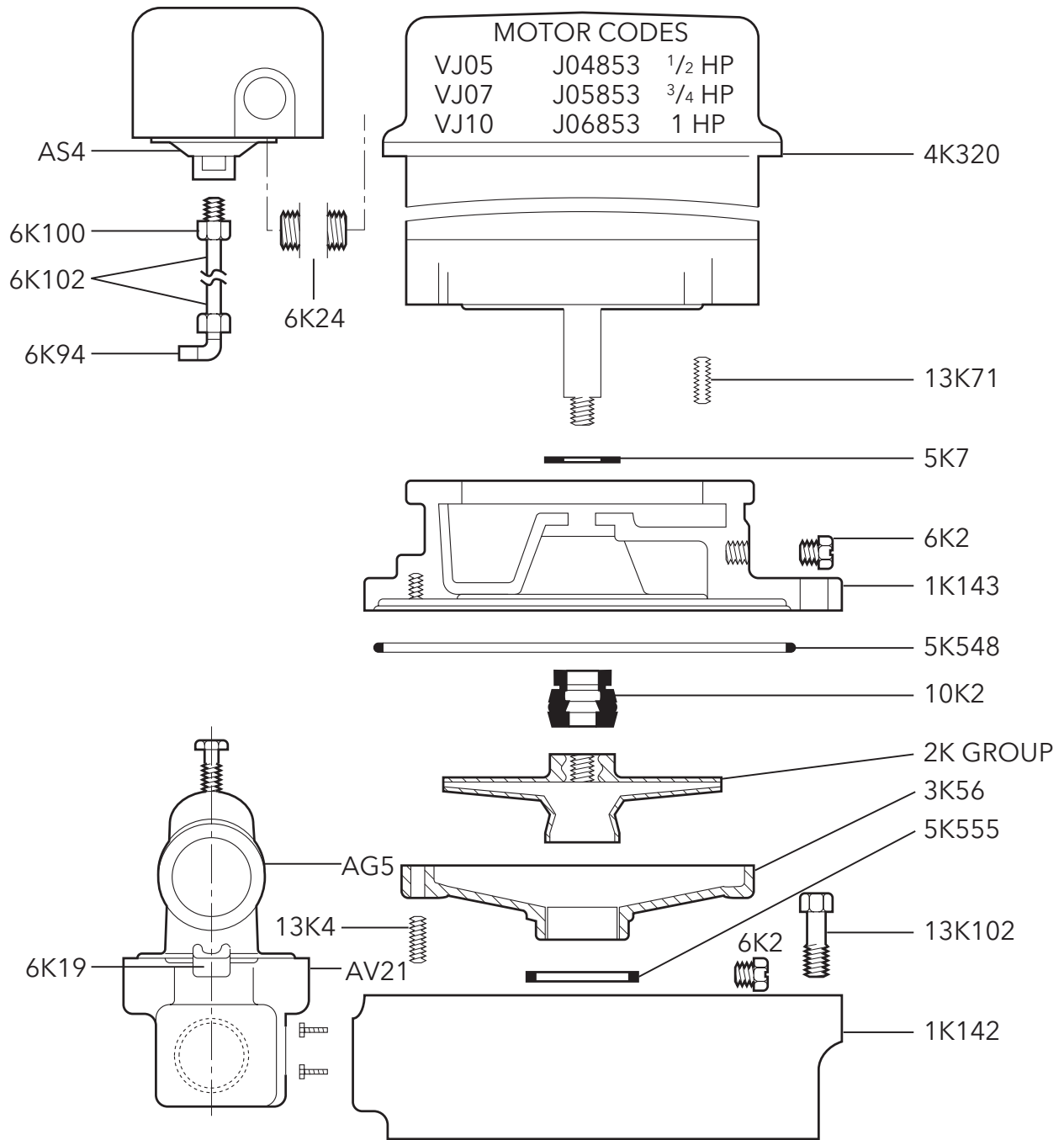
# VJ

REPAIR PARTS / RVJ R3



Part No.	Part Name	Pattern No.
1K142	Casing	59202
1K143	Motor adapter	59014
2K61	Impeller ¾ and 1 HP	2K GROUP
2K204	Impeller ½ HP	
3K56	Guidevane - ½, ¾, 1 HP	
4K230	Drip cover - 48FR (A.O. Smith motor)	
5K555	Seal ring - guidevane	
5K7	Deflector	
5K548	O-ring	
6K2	Plug ¼ NPT	
6K19	Reducing bushing ¾" x ¼" (for AG5)	
6K24	Switch connector with nut	
6K94	Elbow fitting (tubing)	
6K100	Straight fitting (tubing)	
6K102	Tubing	
10K258	Shaft seal assembly	
13K4	Screw - guidevane	
13K71	Bolt - motor adapter to motor	
13K102	Bolt - casing to motor adapter	
AG5	Pressure gauge	54382
AS4	Pressure switch	
AV21	Pressure control valve	





**Xylem Inc.**  
[www.xylem.com/goulds](http://www.xylem.com/goulds)

Goulds is a registered trademark of Goulds Pumps, Inc. and is used under license.  
 © 2020 Xylem Inc. RVJ R3 May 2020

**GOULDS**  
 WATER TECHNOLOGY  
 a xylem brand