

SPS83

PRIME LINE® SUCTION STRAINER

INSTALLATION, OPERATION AND MAINTENANCE INSTRUCTIONS

TABLE OF CONTENTS

SUBJECT	PAGE
Unboxing and Inspection	3
Piping and Testing	3
Operation.....	3
Repair Parts.....	4

OWNER'S INFORMATION

Please fill in data.

Model Number: SPS83

Dealer: _____

Dealer Telephone: _____

Purchase Date: _____

Installation Date: _____

SAFETY INSTRUCTIONS

TO AVOID SERIOUS OR FATAL PERSONAL INJURY OR MAJOR PROPERTY DAMAGE, READ AND FOLLOW ALL SAFETY INSTRUCTIONS IN THE MANUAL AND ON THE PUMP.



This is a **SAFETY ALERT SYMBOL**. When you see this symbol on the pump or in the manual, look for one of the following signal words and be alert to the potential for personal injury or property damage.



Warns of hazards that **WILL** cause serious personal injury, death or major property damage.



Warns of hazards that **CAN** cause serious personal injury, death or major property damage.



Warns of hazards that **CAN** cause personal injury or property damage.

NOTICE: INDICATES SPECIAL INSTRUCTIONS WHICH ARE VERY IMPORTANT AND MUST BE FOLLOWED.

THIS MANUAL IS INTENDED TO ASSIST IN THE INSTALLATION AND OPERATION OF THIS UNIT AND MUST BE KEPT WITH THE UNIT.

THOROUGHLY REVIEW ALL INSTRUCTIONS AND WARNINGS PRIOR TO PERFORMING ANY WORK ON THIS PUMP.

MAINTAIN ALL SAFETY DECALS.



UNIT NOT DESIGNED FOR USE WITH HAZARDOUS LIQUIDS OR FLAMMABLE GAS.



Hazardous fluids can cause fire, burns or death.

EXAMPLE PIPING LAYOUT

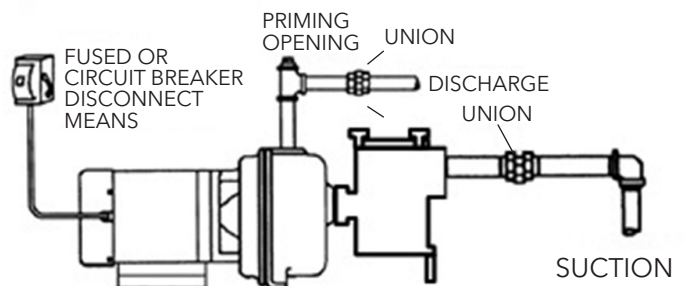


Figure 1

UNBOXING AND INSPECTION

Unbox and handle with care.

Inspect unit for damage and report all damage to carrier immediately.

⚠ WARNING Hazardous suction. Can trap hair or body parts, causing severe injury or death.

Do not block suction.

INSTALLATION

PIPING - GENERAL

- Piping **MUST** be installed horizontally on a solid flat surface, with discharge on top.
- Allow adequate space for servicing and ventilation with strainer. Protect unit from weather and water damage due to rain or flooding or freezing temperatures.
- Piping should be no smaller than the suction and discharge connections and kept as short as possible, avoiding unnecessary fittings to minimize friction losses.
- All piping **MUST** be independently supported and **MUST NOT** place any piping loads on the pump.
- Use hex nut and bolt (Repair parts # 5 & 6) to level strainer with pump suction during installation. **DO NOT** cantilever strainer off pump suction - use hex nut and bolt to prevent unnecessary strain on pump suction.

NOTICE: DO NOT FORCE PIPING INTO PLACE AT PUMP SUCTION AND DISCHARGE CONNECTIONS.

- The use of Teflon™ tape, or equivalent, is recommended for ALL piping joints.
- All pipe joints **MUST** be airtight.
- Total suction lift, including elevation and pipe friction losses should not exceed 25 feet.
- For lifts longer than 10 feet, a foot valve or check valve must be used in the suction piping.

STRAINER TESTING AND OPERATION



Before removing strainer cover:

1. SHUT OFF pump before starting
2. CLOSE ALL VALVES in suction and discharge piping.
3. RELEASE ALL PRESSURE from pump and piping system
4. Hydrotest pump and strainer assembly to ensure strainer was installed and attached to pump correctly.

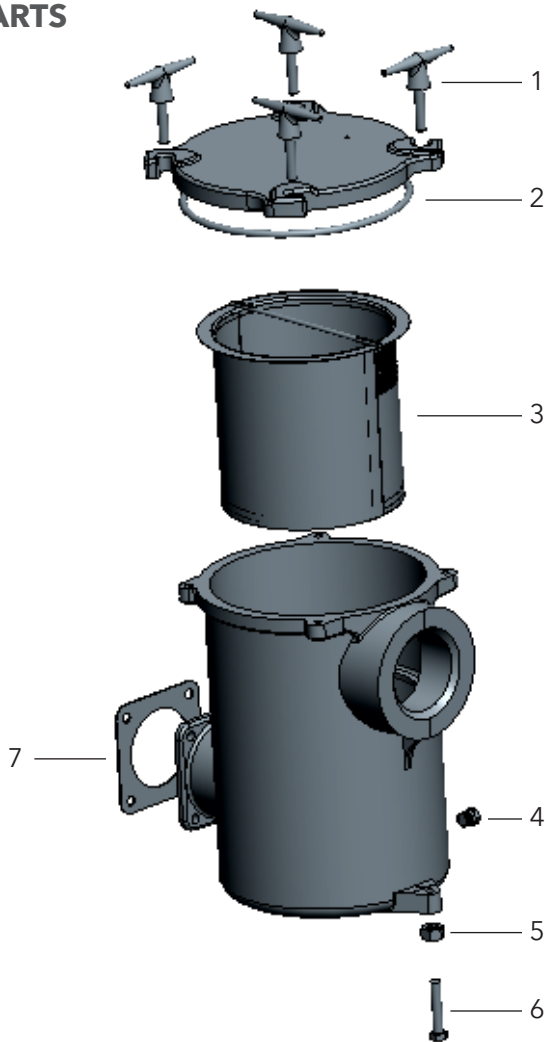
⚠ WARNING **MAXIMUM HYDROSTATIC TEST PRESSURE IS 20 PSI WATER PRESSURE**

After hydrostatic pressure test, release all pressure in the system before removing strainer cover.

- To avoid damaging the pump or putting unnecessary strain on the pump and/or strainer/ support pipe independently of the pump/strainer.
- Center the cover on the strainer body when installing.
- When installing the cover, clean O-Ring groove in strainer body and lubricate the following surfaces with petroleum jelly.
 1. O-ring
 2. Sealing surfaces of the strainer cover and body
 3. Threads and faces of wing nuts
- Lubricating these surfaces will prevent corrosion, provide a better seal, and improve ease of maintenance.
- Hand tighten lock handles, alternating back and forth between handles to ensure even compression; hand tighten only.
- Use a wrench on the handle flats if necessary to remove cover.

NOTICE: A clogged suction strainer will impact performance and eventually cause cavitation. Clean and empty strainer basket on a regular schedule to prevent clogging.

REPAIR PARTS



Key No.	Part Description	Part No.
1	T- Handle	6K214
2	Lid O-ring	5K526
3	Strainer Basket	15K106
4	Pipe Plug 1/4"	6K2
5	Hex Nut 3/8-16	13K89
6	Cap Screw 3/8-16 x 2	13K450
7	Suction Gasket	5K527

GOULDS WATER TECHNOLOGY LIMITED WARRANTY

This warranty applies to all water systems pumps manufactured by Goulds Water Technology.

Any part or parts found to be defective within the warranty period shall be replaced at no charge to the dealer during the warranty period. The warranty period shall exist for a period of twelve (12) months from date of installation or eighteen (18) months from date of manufacture, whichever period is shorter.

A dealer who believes that a warranty claim exists must contact the authorized Goulds Water Technology distributor from whom the pump was purchased and furnish complete details regarding the claim. The distributor is authorized to adjust any warranty claims utilizing the Goulds Water Technology Customer Service Department.

The warranty excludes:

- (a) Labor, transportation and related costs incurred by the dealer;
- (b) Reinstallation costs of repaired equipment;
- (c) Reinstallation costs of replacement equipment;
- (d) Consequential damages of any kind; and,
- (e) Reimbursement for loss caused by interruption of service.

For purposes of this warranty, the following terms have these definitions:

- (1) "Distributor" means any individual, partnership, corporation, association, or other legal relationship that stands between Goulds Water Technology and the dealer in purchases, consignments or contracts for sale of the subject pumps.
- (2) "Dealer" means any individual, partnership, corporation, association, or other legal relationship which engages in the business of selling or leasing pumps to customers.
- (3) "Customer" means any entity who buys or leases the subject pumps from a dealer. The "customer" may mean an individual, partnership, corporation, limited liability company, association or other legal entity which may engage in any type of business.

THIS WARRANTY EXTENDS TO THE DEALER ONLY.



Xylem Inc.
 2881 East Bayard Street Ext., Suite A
 Seneca Falls, NY 13148
 Phone: (800) 453-6777 • Fax: (888) 322-5877
www.gouldswatertechnology.com

Goulds is a registered trademark of Goulds Pumps, Inc. and is used under license.
 © 2014 Xylem Inc. IM256 Rev. 0 January 2014