



PV

SUBMERSIBLE VORTEX SEWAGE PUMP

FEATURES

- Corrosion resistant construction
- Cast iron body
- Thermoplastic impeller and cover.
- Upper sleeve and lower heavy duty ball bearing construction.
- Motor is permanently lubricated for extended service life.
- Powered for continuous operation.
- Vortex impeller is recessed to allow free flow through casing.

APPLICATIONS

Specially designed for the following uses:

- Residential sewage systems
- Heavy duty sump/dewatering
- Water transfer

SPECIFICATIONS

Pump

- Discharge: 2" NPT
- Maximum capacity: 100 GPM
- Maximum head: 22' TDH
- Vortex Impeller
- Solids handling: 2" maximum sphere.
- Temperature: 104° F (40° C) maximum, continuous when fully submerged.
- Automatic models include a float switch.
- Manual models available.
- Pumping range: see performance chart or curve.

- All ratings are within the working limits of the motor.
- Replaceable power cord, 10' and 20' standard lengths, heavy duty 16/3 SJTW with NEMA three prong, 115 volt grounding plug.
- Complete unit is heavy duty, portable and compact.
- Mechanical seal is carbon, ceramic, BUNA and stainless steel.
- Stainless steel fasteners

MOTOR

- Single phase
- 60 Hertz
- 115 volt
- Built-in thermal overload protection with automatic reset.
- Class B insulation
- Oil-filled design
- High strength carbon steel shaft
- 0.5 HP, 3400 RPM
- PSC design

AGENCY LISTINGS



Tested to UL 778 and CSA 22.2 108 Standards
By Canadian Standards Association
File #LR38549

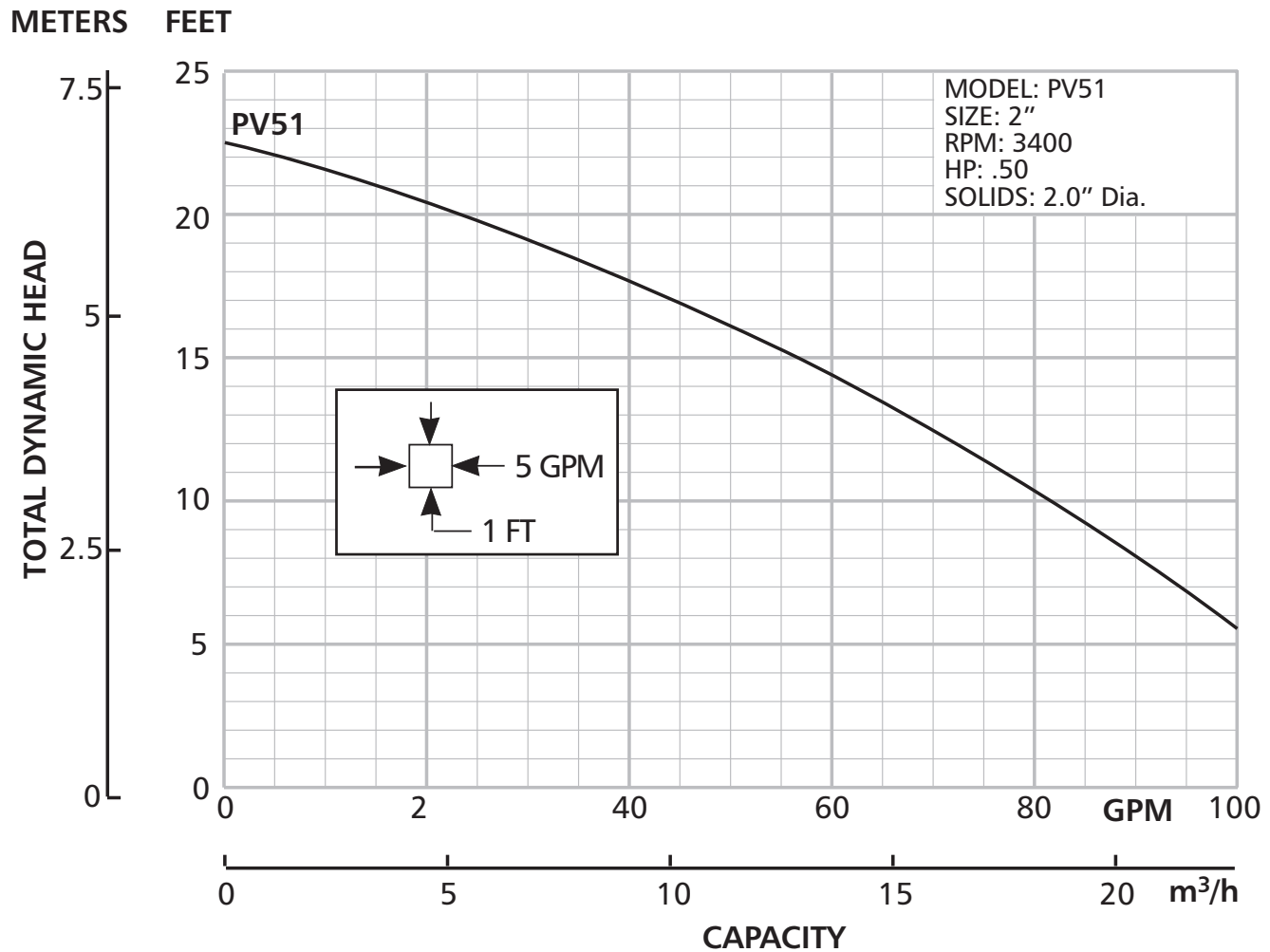
MODEL INFORMATION

| Order No. | HP | Volts | Max. Amps | Minimum Circuit Breaker | Phase | RPM | Float Switch Style | Power Cord Length | Discharge Connection | Maximum Solids Size | Minimum Basin Diameter | Shipping Weight lbs/kg |
|-----------|-----|-------|-----------|-------------------------|-------|------|----------------------|-------------------|----------------------|---------------------|------------------------|------------------------|
| PV51P1 | 0.5 | 115 | 13.0 | 20 | 1 | 3400 | Piggyback Wide Angle | 10' | 2" | 2" | 18" | 44 |
| PV51MF | | | | | | | Plug / No Switch | 20' | | | | |
| PV51P1F | | | | | | | Piggyback Wide Angle | | | | | |

PERFORMANCE CHARTS

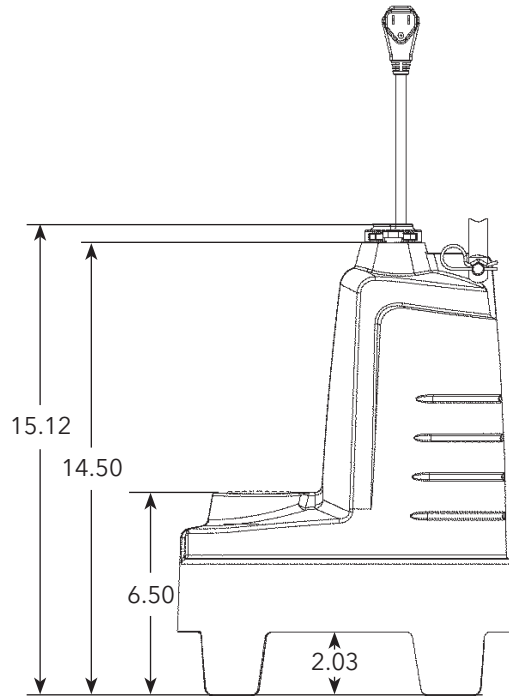
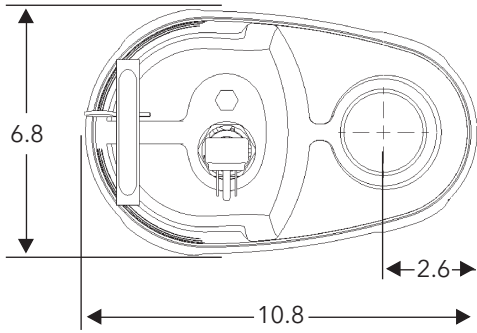
These charts show actual system performance with friction loss factored in for various discharge pipe lengths. Calculations and performance based on a system with 2" PVC, schedule 40 plastic pipe (C150), (4) 90° elbows, (1) check valve and (1) shut-off valve. Wastewater requires a minimum scouring velocity of 21 gpm for 2" pipe. Shaded areas do not provide minimum scouring velocity - use only for gray water with no solids.

| Pipe Length (Feet) | GPM | | | | | | | | | |
|--------------------|----------------------|----|----|----|----|----|----|----|----|----|
| | Vertical Head (Feet) | | | | | | | | | |
| | 2 | 4 | 6 | 8 | 10 | 12 | 14 | 16 | 18 | 20 |
| 25 | 95 | 89 | 83 | 77 | 70 | 62 | 53 | 45 | 35 | 22 |
| 50 | 83 | 78 | 73 | 67 | 61 | 55 | 48 | 40 | 31 | 20 |
| 75 | 76 | 71 | 66 | 61 | 55 | 50 | 43 | 37 | 28 | 18 |
| 100 | 69 | 65 | 61 | 56 | 51 | 46 | 40 | 33 | 26 | 17 |
| 150 | 60 | 57 | 53 | 49 | 45 | 40 | 35 | 29 | 23 | 16 |
| 200 | 54 | 51 | 48 | 44 | 40 | 36 | 32 | 27 | 21 | 14 |
| 250 | 49 | 47 | 44 | 40 | 37 | 33 | 29 | 24 | 19 | 13 |
| 300 | 46 | 43 | 40 | 37 | 34 | 31 | 27 | 23 | 18 | 12 |



DIMENSIONS

(All dimensions are in inches. Do not use for construction purposes.)



Xylem Inc.
2881 East Bayard Street Ext., Suite A
Seneca Falls, NY 13148
Phone: (866) 325-4210
Fax: (888) 322-5877
www.xylem.com/goulds

Xylem is a registered trademark of Xylem Inc. or one of its subsidiaries.
Goulds is a registered trademark of Goulds Pumps, Inc. and is used under license. All other trademarks or registered trademarks are property of their respective owners.
© 2022 Xylem Inc. BPV R3 September 2022