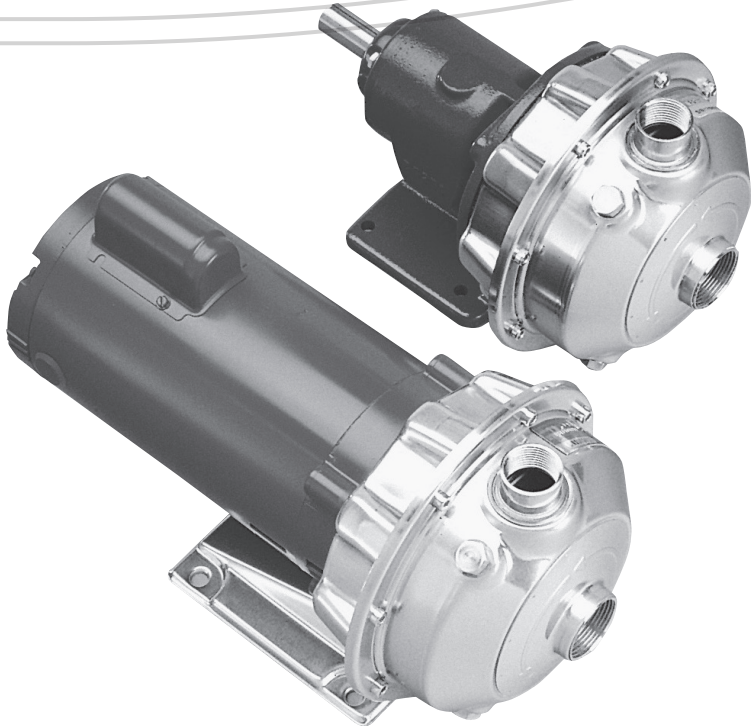




INSTRUCTION MANUAL
IM012R07



Model NPO

INSTALLATION, OPERATION AND MAINTENANCE INSTRUCTIONS



Table of Contents

SUBJECT	PAGE
Safety Instructions.....	3
Description and Specifications	3
Engineering Data.....	3
Optional Pump Styles.....	3
Piping - General.....	3
Piping - Suction.....	3
Piping - Discharge	3
Wiring and Grounding.....	4
Operation.....	4
Maintenance.....	4
Disassembly.....	4
Assembly.....	5
Troubleshooting.....	5
Pump Parts and Materials of Construction.....	6
Commercial Warranty.....	7
Declaration of Conformity	21

Owner's Information

Pump Model Number: _____

Pump Serial Number: _____

Dealer: _____

Dealer Phone No.: _____

Date of Purchase: _____

Date of Installation: _____

Current Readings at Startup:

1Ø	3Ø	L1-2	L2-3	L3-1
Amps: _____	Amps: _____	_____	_____	_____
Volts: _____	Volts: _____	_____	_____	_____

SAFETY INSTRUCTIONS

TO AVOID SERIOUS OR FATAL PERSONAL INJURY OR MAJOR PROPERTY DAMAGE, READ AND FOLLOW ALL SAFETY INSTRUCTIONS IN MANUAL AND ON PUMP.

THIS MANUAL IS INTENDED TO ASSIST IN THE INSTALLATION AND OPERATION OF THIS UNIT AND MUST BE KEPT WITH THE PUMP.



This is a **SAFETY ALERT SYMBOL**. When you see this symbol on the pump or in the manual, look for one of the following signal words and be alert to the potential for personal injury or property damage.



DANGER

Warns of hazards that **WILL** cause serious personal injury, death or major property damage.



WARNING

Warns of hazards that **CAN** cause serious personal injury, death or major property damage.



CAUTION

Warns of hazards that **CAN** cause personal injury or property damage.

NOTICE: INDICATES SPECIAL INSTRUCTIONS WHICH ARE VERY IMPORTANT AND MUST BE FOLLOWED.

THOROUGHLY REVIEW ALL INSTRUCTIONS AND WARNINGS PRIOR TO PERFORMING ANY WORK ON THIS PUMP.

MAINTAIN ALL SAFETY DECALS.



WARNING



Hazardous fluids can cause fire, burns or death.

UNIT NOT DESIGNED FOR USE WITH HAZARDOUS LIQUIDS OR FLAMMABLE GASES. THESE FLUIDS MAY BE PRESENT IN CONTAINMENT AREAS.

DESCRIPTION & SPECIFICATIONS:

The Series NPO embraces a line of 1", 1¼" and 1½" NPT discharge, general liquid transfer and booster pump application end suction centrifugal pumps. The liquid end construction is of AISI 316 stainless steel, stamped and welded. Open vane impellers are ideal for liquids with suspended solids to ⅜" diameter.

ENGINEERING DATA

Max Liquid Temperature:

212° F (100° C) Standard seal

250° F (120° C) Optional high temperature seal

Max Pressure: 125 psi (862 kPa)

Starts per Hour: 20 - Evenly distributed

OPTIONAL PUMP STYLES

Optional bearing frame mounted or close-coupled, single and three phase, ODP, TEFC and three phase explosion proof motors are available. Optional mechanical seals include: Carbon/Ceramic/BUNA, Carbon/Ceramic/Viton, Carbon/Silicon Carbide/EPR, Silicon Carbide/Silicon Carbide/EPR and Silicon Carbide/Silicon Carbide/Viton. Consult with your distributor for price and availability.

PIPING - GENERAL



THE INSTALLATION OF THE PUMP SHALL INCLUDE ADEQUATE DRAINAGE OR LOCATED SUCH THAT OTHER EQUIPMENT OR PROPERTY WOULD NOT BE DAMAGED IN THE EVENT OF ANY LEAKAGE. THE PUMP SHOULD NOT BE INSTALLED ABOVE EQUIPMENT OR PROPERTY UNLESS ADEQUATE DRAINAGE IS PROVIDED. FAILURE TO COMPLY WITH THIS WARNING COULD RESULT IN PROPERTY DAMAGE.



OVERTIGHTENING OF THE CASING FASTENERS COULD DAMAGE THE FASTENER, RESULTING IN LEAKAGE AND PROPERTY DAMAGE.

Piping should be no smaller than the pump connection size and kept as short as possible, avoiding unnecessary fittings to minimize friction losses.

All piping **MUST** be independently supported and **MUST NOT** place any piping loads on the pump.

NOTICE: DO NOT FORCE PIPING INTO PLACE AT PUMP SUCTION AND DISCHARGE CONNECTIONS.

All pipe joints **MUST** be airtight.

PIPING - SUCTION

Short and direct suction piping is recommended. For suction lifts over 10' (3 m) and liquid temperatures over 120° F (49° C), consult pump performance curve for net positive suction head required (NPSH_r).

If a pipe size larger than pump suction is required, an eccentric pipe reducer, with the straight side up, **MUST** be installed at the pump suction.

If pump is installed below the liquid source, install a full flow isolation valve in the suction for pump inspection and maintenance.

NOTICE: DO NOT USE THE ISOLATION VALVE TO THROTTLE PUMP. THIS MAY CAUSE LOSS OF PRIME, EXCESSIVE TEMPERATURES AND DAMAGE TO PUMP, VOIDING WARRANTY.

If the pump is installed above the liquid source, the following **MUST** be provided:

To avoid air pockets, no part of the piping should be above the pump suction connection.

Slope piping upward from liquid source.

Use a foot valve or check valve **ONLY** if necessary for priming or to hold prime during intermittent duty.

The suction strainer or suction bell **MUST** be at least 3 times the suction pipe diameter area.

Insure that the size and minimum submergence over suction inlet is sufficient to prevent air from entering through a suction vortex.

PIPING - DISCHARGE

Install a check valve suitable to handle the flow, liquids and to prevent backflow. After the check valve, install an appropriately sized gate valve to be used to regulate the pump capacity, pump inspection and for maintenance.

When required, the pipe increaser should be installed between the check valve and the pump discharge.

WIRING AND GROUNDING



- ⚠ Install, ground and wire according to local and National Electrical Code requirements.
- ⚠ Install an all leg disconnect switch near the pump.
- ⚠ Disconnect and lockout electrical power before installing or servicing pump.

⚠ Electrical supply **MUST** match pump's nameplate specifications. Incorrect voltage can cause fire, damage to the motor and voids warranty.

⚠ Motors equipped with automatic thermal protection open the motor's electrical circuit when a thermal overload exists. This can cause the pump to start unexpectedly and without warning.

Use only stranded copper wire to motor and ground. The ground wire **MUST** be at least as large as the wire to the motor. Wires should be color coded for ease of maintenance.



FAILURE TO PERMANENTLY GROUND THE PUMP, MOTOR AND CONTROLS BEFORE CONNECTING TO ELECTRICAL POWER CAN CAUSE SHOCK, BURNS OR DEATH.

NOTICE: UNIT ROTATION IS CLOCKWISE, WHEN VIEWED FROM THE MOTOR END. INCORRECT ROTATION MAY CAUSE DAMAGE TO THE PUMP AND VOIDS THE WARRANTY.

OPERATION

NOTICE: PUMP MUST BE FULLY PRIMED BEFORE OPERATION.



OPERATION AT OR NEAR ZERO FLOW CAN CAUSE EXTREME HEAT, PERSONAL INJURY OR PROPERTY DAMAGE.

After stabilizing the system at normal operating conditions, check the piping. If necessary adjust the pipe supports.

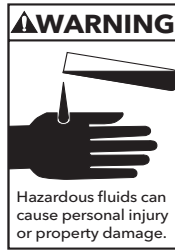
MAINTENANCE

Motors have permanently lubricated bearings. No lubrication is possible or necessary. Follow the motor manufacturer's recommendations for maintenance.

DISASSEMBLY



FAILURE TO DISCONNECT AND LOCKOUT ELECTRICAL POWER BEFORE ATTEMPTING ANY MAINTENANCE CAN CAUSE SHOCK, BURNS OR DEATH.



CASING MAY CONTAIN HAZARDOUS FLUIDS THAT CAN CAUSE PERSONAL INJURY OR PROPERTY DAMAGE.

Containing pumpage as required, remove pump casing vent and drain plugs (408). Remove and discard the respective plug O-rings. Drain and flush system, as required.

Remove the four motor bolts from the motor base or foundation.

Remove the eight casing cap screws (370), then using the slots provided about the casing (100), pry the back pull-out assembly from the casing.

Remove and discard the casing O-ring (513) and the internal casing O-ring (349).

NOTICE: IMPELLER COMPRESSES THE MECHANICAL SEAL SPRING - BE PREPARED FOR THE IMPELLER TO SPRING FROM SHAFT WHEN IMPELLER IS REMOVED.

Remove the end cap from the motor, exposing a slot in the end of the motor shaft. While holding the shaft from rotation with a screwdriver, remove the impeller locknut (304) (if present) by turning it **COUNTERCLOCKWISE**.

Remove impeller (101) by turning counterclockwise when looking at the front of the pump. Protect hand with rag or glove. Apply localized heat for 1-2 minutes or to an approximate temperature of 250° C. Disassemble while hot. Heating will decrease the break-loose torque of the Loctite 243 and allow for easy removal.



Excessive heating may cause damage to the seal. Seal replacement is recommended if pump is disassembled or repaired.

Using two pry bars, 180° apart, **CAREFULLY** separate the seal housing (184) from the motor adapter (108). The mechanical seal (383) rotary assembly will slide from the motor shaft with the seal housing.

CAREFULLY push out the mechanical seal stationary seat from the seal housing. Inspect and wipe clean the stationary seat bore. Replace as necessary. **DISCARD** the mechanical seal assembly.

If necessary, remove the four motor hex bolts (371) and **CAREFULLY** slide the motor adapter from the shaft.

Replace the motor assembly and deflector (123), as required.

Disassembly is complete.

ASSEMBLY

If removed, replace the motor shaft deflector. Install the motor adapter, with the drain opening **DOWN**, using the four hex bolts. Torque bolts to 168 lbs. in. (19 N m).

Slide the seal housing assembly onto the motor shaft, seating it fully and squarely against the motor adapter.

Using a quality grade O-ring lubricant, lubricate the outer elastomer of the mechanical seal stationary seat. Fully and squarely install the stationary seat into the seal housing. With a clean, lint free cloth, **CAREFULLY** wipe the seat face clean of a lubricant or debris. **DO NOT** damage the seat face.

Using a quality grade O-ring lubricant, lubricate the inner elastomer of the mechanical seal rotary assembly. Fully and squarely install the rotary assembly against the stationary seat.

To install impeller, clean shaft and impeller thoroughly with denatured alcohol and a wire brush to remove cured Loctite from threads. Wait for parts to dry then apply Loctite 7649 primer to threads on shaft and impeller. Allow 3-5 minutes for primer to dry. Apply 3 drops of Loctite 243 medium strength thread-locker to shaft threads and 2 drops on impeller threads. Tighten impeller to a torque value of 144 lbs. in. (16 N m).

Using a quality grade O-ring lubricant, lubricate and install a new casing O-ring and internal O-ring (1SN only).

Slide the back pullout assembly into the pump casing and secure using the eight casing cap screws. Torque the cap screws to 70 lbs. in. (8 N m), using a cross pattern sequence to assure the casing is pulled down evenly.

With new O-rings installed, install the casing vent and drain plugs, tightening securely.

Assembly is complete.

TROUBLESHOOTING



FAILURE TO DISCONNECT AND LOCKOUT ELECTRICAL POWER BEFORE ATTEMPTING ANY MAINTENANCE CAN CAUSE SHOCK, BURNS OR DEATH.

SYMPTOM

MOTOR NOT RUNNING

See Probable Causes 1 through 5

LITTLE OR NO LIQUID DELIVERED

See Probable Causes 6 through 13

EXCESSIVE POWER CONSUMPTION

See Probable Causes 3, 13, 14, 15 and 16

EXCESSIVE NOISE AND VIBRATION

See Probable Causes 3, 6, 7, 8, 10, 12, 14, 16 and 17

PROBABLE CAUSES

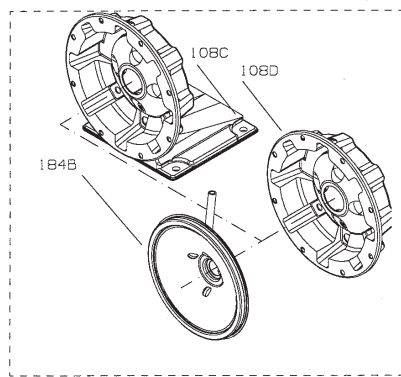
1. Motor thermal protector tripped
2. Open circuit breaker or blown fuse
3. Impeller binding
4. Motor improperly wired
5. Defective motor
6. Pump is not primed, air or gases in pumpage
7. Discharge, suction plugged or valve closed
8. Incorrect rotation (three phase only)
9. Low voltage or phase loss
10. Impeller worn or plugged
11. System head too high
12. $NPSH_A$ too low - Excessive suction lift or losses
13. Incorrect impeller diameter
14. Discharge head too low - excessive flow rate
15. Fluid viscosity, specific gravity too high
16. Worn bearing
17. Pump, motor or piping loose

REPAIR PARTS

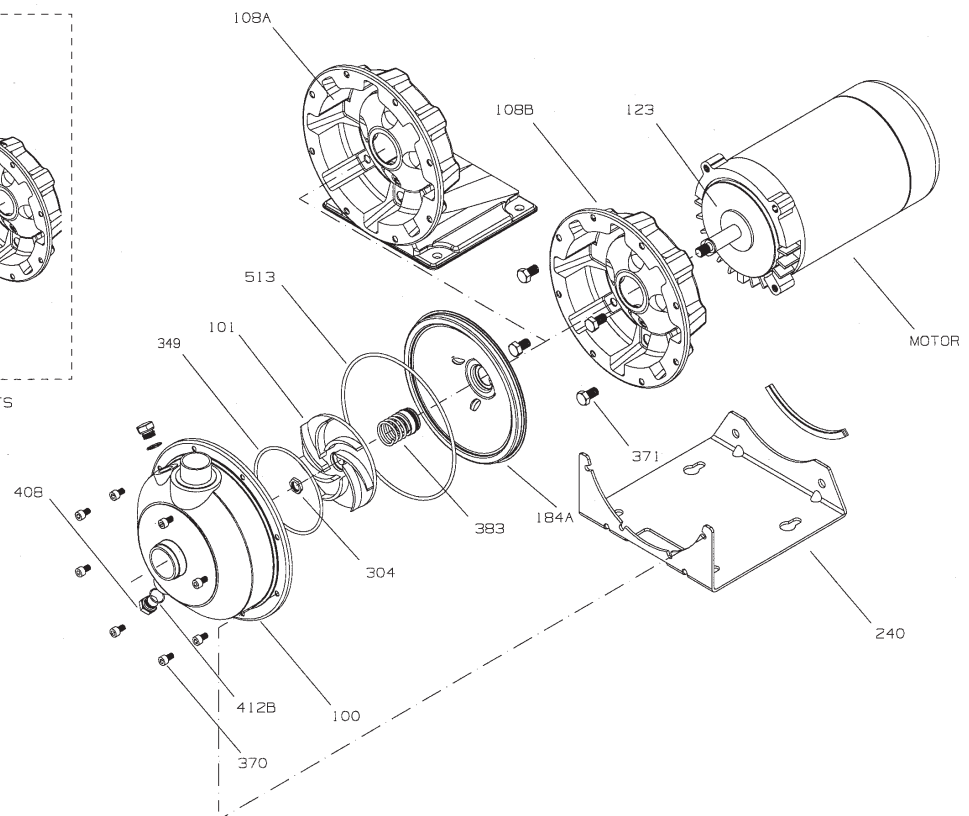
Item No.	Description	Materials of Construction	Qty.
100	Casing	AISI 316L SS	1
101	Impeller		
108A	Motor adapter with foot	AISI 316L SS	1
108B	without foot		
108C	with foot and flush		
108D	without foot and flush		
123	Deflector	BUNA-N	1
184A	Seal housing - standard	AISI 316L SS	1
184B	Seal housing with seal flush		
240	Motor support	300 SS	1
	Rubber channel	Rubber	1
304	Impeller locknut	AISI 316 SS	1
349	O-ring, internal (1SN only)	Viton (standard)	1
		EPR	
		BUNA	
370	Socket head screw, casing	AISI 430 SS	8
371	Bolts, motor	Steel/plated	4
383	Mechanical seal	See Mechanical Seal Chart	1
408	Drain and vent plug, casing	AISI 316 SS	2
412B	O-ring, drain plugs	Viton (standard)	2
		EPR	
		BUNA	
513	O-ring, casing	Viton (standard)	1
		EPR	
		BUNA	

Impeller Code	Pump Size		
	1SN 1 x 1¼ - 6	2SN 1¼ x 1½ - 6	3SN 1½ x 2 - 6
	Diameter	Diameter	Diameter
A	4 ⁵ / ₁₆	5 ⁵ / ₁₆	5 ⁵ / ₁₆
B	4	5 ¹ / ₁₆	5 ¹ / ₄
C	3 ³ / ₄	4 ⁵ / ₈	4 ¹⁵ / ₁₆
D	3 ¹ / ₂	4 ⁵ / ₁₆	4 ⁵ / ₈
E	3 ¹ / ₄	4 ¹ / ₁₆	4 ⁷ / ₁₆
F	3	3 ³ / ₄	4 ³ / ₁₆
G	5 ⁵ / ₈	3 ⁷ / ₁₆	3 ³ / ₄
H	5	-	-

John Crane Type 21 Mechanical Seal (5/8" Seal)				
Seal Code	Rotary	Stationary	Elastomer	Metal Parts
2	Carbon	Sil. Carb.	EPR	316SS
4			Viton	
5	Sil-Carb.		EPR	
6			Viton	



OPTIONAL SEAL FLUSH COMPONENTS



COMMERCIAL WARRANTY

For goods sold to commercial buyers, Seller warrants the goods sold to Buyer hereunder (with the exception of membranes, seals, gaskets, elastomer materials, coatings and other "wear parts" or consumables all of which are not warranted except as otherwise provided in the quotation or sales form) will be (i) be built in accordance with the specifications referred to in the quotation or sales form, if such specifications are expressly made a part of this Agreement, and (ii) free from defects in material and workmanship for a period of one (1) year from the date of installation or eighteen (18) months from the date of shipment (which date of shipment shall not be greater than thirty (30) days after receipt of notice that the goods are ready to ship), whichever shall occur first, unless a longer period is specified in the product documentation (the "Warranty").

Except as otherwise required by law, Seller shall, at its option and at no cost to Buyer, either repair or replace any product which fails to conform with the Warranty provided Buyer gives written notice to Seller of any defects in material or workmanship within ten (10) days of the date when any defects or non-conformance are first manifest. Under either repair or replacement option, Seller shall not be obligated to remove or pay for the removal of the defective product or install or pay for the installation of the replaced or repaired product and Buyer shall be responsible for all other costs, including, but not limited to, service costs, shipping fees and expenses. Seller shall have sole discretion as to the method or means of repair or replacement. Buyer's failure to comply with Seller's repair or replacement directions shall terminate Seller's obligations under this Warranty and render the Warranty void. Any parts repaired or replaced under the Warranty are warranted only for the balance of the warranty period on the parts that were repaired or replaced. Seller shall have no warranty obligations to Buyer with respect to any product or parts of a product that have been: (a) repaired by third parties other than Seller or without Seller's written approval; (b) subject to misuse, misapplication, neglect, alteration, accident, or physical damage; (c) used in a manner contrary to Seller's instructions for installation, operation and maintenance; (d) damaged from ordinary wear and tear, corrosion, or chemical attack; (e) damaged due to abnormal conditions, vibration, failure to properly prime, or operation without flow; (f) damaged due to a defective power supply or improper electrical protection; or (g) damaged resulting from the use of accessory equipment not sold or approved by Seller. In any case of products not manufactured by Seller, there is no warranty from Seller; however, Seller will extend to Buyer any warranty received from Seller's supplier of such products.

THE FOREGOING WARRANTY IS EXCLUSIVE AND IN LIEU OF ANY AND ALL OTHER EXPRESS OR IMPLIED WARRANTIES, GUARANTEES, CONDITIONS OR TERMS OF WHATEVER NATURE RELATING TO THE GOODS PROVIDED HEREUNDER, INCLUDING WITHOUT LIMITATION ANY IMPLIED WARRANTIES OF MERCHANTABILITY AND FITNESS FOR A PARTICULAR PURPOSE, WHICH ARE HEREBY EXPRESSLY DISCLAIMED AND EXCLUDED. EXCEPT AS OTHERWISE REQUIRED BY LAW, BUYER'S EXCLUSIVE REMEDY AND SELLER'S AGGREGATE LIABILITY FOR BREACH OF ANY OF THE FOREGOING WARRANTIES ARE LIMITED TO REPAIRING OR REPLACING THE PRODUCT AND SHALL IN ALL CASES BE LIMITED TO THE AMOUNT PAID BY THE BUYER FOR THE DEFECTIVE PRODUCT. IN NO EVENT SHALL SELLER BE LIABLE FOR ANY OTHER FORM OF DAMAGES, WHETHER DIRECT, INDIRECT, LIQUIDATED, INCIDENTAL, CONSEQUENTIAL, PUNITIVE, EXEMPLARY OR SPECIAL DAMAGES, INCLUDING BUT NOT LIMITED TO LOSS OF PROFIT, LOSS OF ANTICIPATED SAVINGS OR REVENUE, LOSS OF INCOME, LOSS OF BUSINESS, LOSS OF PRODUCTION, LOSS OF OPPORTUNITY OR LOSS OF REPUTATION.

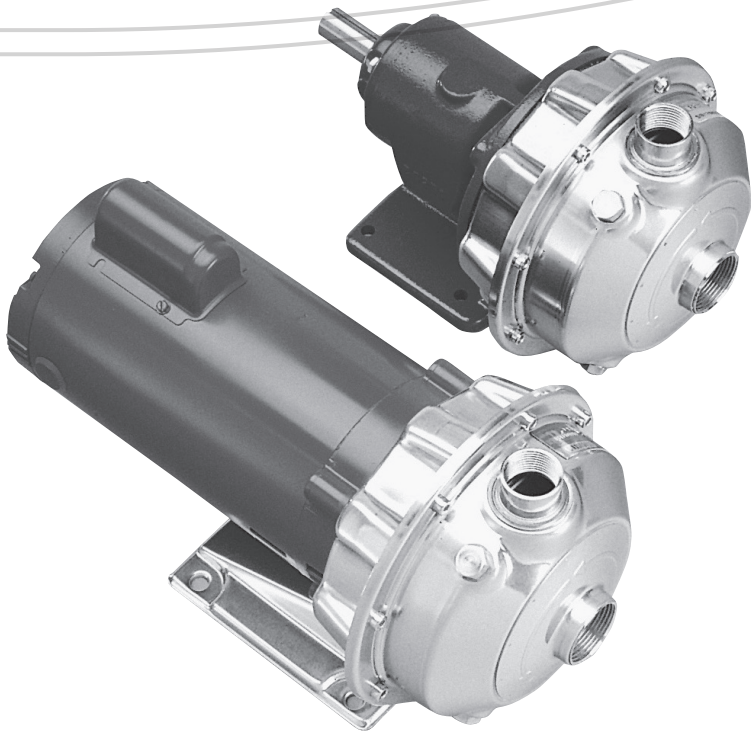


Xylem Inc.
2881 East Bayard Street Ext., Suite A,
Seneca Falls, NY 13148
Phone: (800) 453-6777 Fax: (888) 322-5877
www.xylem.com/goulds

Xylem is a trademark of Xylem Inc.
Goulds is a registered trademark of Goulds Pumps, Inc. and is used under license.
© 2022 Xylem Inc. IM012 Revision Number 7 May 2022



MANUAL DE INSTRUCCIÓN
IM012R07



Modelo NPO

INSTRUCCIONES DE INSTALACIÓN, FUNCIONAMIENTO Y MANTENIMIENTO



TEMA	PÁGINA
Instrucciones de seguridad	10
Descripción y especificaciones	10
Datos de ingeniería	10
Estilos de bombas opcionales	10
Tuberías - generalidades	10
Tuberías - succión	10
Tuberías - descarga	11
Alambrado y conexión a tierra	11
Operación	11
mantenimiento	11
Desmontaje	11
Montaje	12
Identificación y resolución de problemas	12
Partes y materiales de construcción de la bomba	13
Garantía Comercial	14
Declaración de Conformidad	21

Información para el propietario

Número de modelo de la bomba: _____

Número de serie de la bomba: _____

Representante: _____

Número telefónico del representante: _____

Fecha de compra: _____

Fecha de Instalación: _____

Lecturas actuales de la puesta en servicio:

	1Ø	3Ø	L1-2	L2-3	L3-1
Amps: _____		Amps: _____	_____	_____	_____
Voltios: _____		Voltios: _____	_____	_____	_____

INSTRUCCIONES DE SEGURIDAD

PARA EVITAR LESIONES PERSONALES GRAVES O FATALES, Y DAÑOS SIGNIFICATIVOS A LA PROPIEDAD, LEA Y SIGA TODAS LAS INSTRUCCIONES DE SEGURIDAD QUE SE ENCUENTRAN EN ESTE MANUAL O EN LA BOMBA.

ESTE MANUAL TIENE LA FUNCIÓN DE ASISTIRLO EN LA INSTALACIÓN Y OPERACIÓN DE ESTA UNIDAD Y DEBE CONSERVARSE CON LA BOMBA.



Éste es un **SÍMBOLO DE ALERTA DE SEGURIDAD**. Cuando vea este símbolo sobre la bomba o en el manual, localice una de las siguientes palabras de señalización y esté alerta ante posibles lesiones personales o daños a la propiedad.



PELIGRO Advierte sobre los peligros que **PROVOCARÁN** lesiones graves, muerte o daños significativos a la propiedad.



ADVERTENCIA Advierte sobre los peligros que **PUEDEN PROVOCAR** lesiones graves, muerte o daños significativos a la propiedad.



PRECAUCIÓN Advierte sobre los peligros que **PROVOCARÁN** o **PUEDEN PROVOCAR** lesiones o daños a la propiedad.

AVISO: INDICA QUE EXISTEN INSTRUCCIONES ESPECIALES MUY IMPORTANTES QUE DEBEN RESPETARSE.

EXAMINE COMPLETAMENTE TODAS LAS INSTRUCCIONES Y ADVERTENCIAS ANTES DE REALIZAR CUALQUIER TRABAJO EN ESTA BOMBA. CONSERVE TODAS LAS CALCOMANÍAS.



ESTA UNIDAD NO SE ENCUENTRA DISEÑADA PARA SER USADA CON LÍQUIDOS O GASES INFLAMABLES. ESTOS FLUIDOS PUEDEN ESTAR PRESENTES EN ÁREAS CONTAMINADAS.



Los fluidos peligrosos pueden causar incendios, quemaduras o la muerte.

DESCRIPCIÓN Y ESPECIFICACIONES

La Serie NPO incluye una línea de bombas centrífugas de descarga, de transferencia general de líquidos y de extremo de succión para aplicaciones de bombas reforzadoras NPT de 1 pulg., 1¼ pulg. y 1½ pulg. El extremo de líquido es de acero inoxidable AISI 316 estampado y soldado. Los impulsores de álabes abiertos son ideales para líquidos con sólidos suspendidos de hasta ¾ pulg. de diámetro.

DATOS DE INGENIERÍA

Temperatura máxima del líquido:

212°F (100°C) sello estándar

250°F (120°C) sello de alta temperatura opcional

Presión máxima: 125 psi (862 kPa)

Arranques por hora: 20 - distribuidos uniformemente

ESTILOS DE BOMBAS OPCIONALES

Cojinete opcional montado sobre bastidor o de acoplamiento cerrado, motores monofásicos y trifásicos, ODP, TEFC y trifásicos a prueba de explosión disponibles. Los sellos mecánicos opcionales incluyen: Carbón/cerámica/BUNA, carbón/cerámica-Viton, carbón/carburo de silicio/EPR, carburo de silicio/carburo de silicio/EPR y carburo de silicio/carburo de silicio/Viton. Consulte con su distribuidor con respecto a precio y disponibilidad.

TUBERÍAS - GENERALIDADES



LA INSTALACIÓN DE LA BOMBA DEBE INCLUIR UN DRENAJE ADECUADO O ESTAR UBICADA DE MANERA TAL QUE OTROS EQUIPOS O LA PROPIEDAD NO RESULTEN DAÑADOS EN CASO DE QUE SE PRODUZCA ALGUNA FUGA. LA BOMBA NO DEBE INSTALARSE POR ENCIMA DE LOS EQUIPOS O DE LA PROPIEDAD A MENOS QUE SE PROPORCIONE UN DRENAJE ADECUADO. SI IGNORA ESTA ADVERTENCIA, PUEDE PROVOCAR DAÑOS A LA PROPIEDAD.



SI AJUSTA DEMASIADO LOS SUJETADORES DE LA CARCASA, PODRÍA DAÑAR EL SUJETADOR Y PROVOCAR FUGAS Y DAÑOS A LA PROPIEDAD.

La tubería no debe ser más pequeña que las conexiones de la bomba y debe mantenerse lo más corta posible, evitando los accesorios innecesarios para reducir al mínimo las pérdidas por fricción.

Todas las tuberías **DEBEN** estar apoyadas en forma independiente y **NO DEBE** aplicarse ninguna carga de las tuberías sobre la bomba.

AVISO: NO FUERCE LA TUBERÍA A SU POSICIÓN EN LAS CONEXIONES DE SUCCIÓN O DESCARGA DE LA BOMBA.

Todas las juntas de tuberías **DEBEN** ser herméticas.

TUBERÍAS - SUCCIÓN

Se recomienda que la tubería de succión sea corta y directa. Para elevaciones de succión de más de 10 pies (3 m) y temperaturas de líquido de más de 120°F (49°C), consulte la curva de rendimiento de la bomba con respecto a la carga de succión positiva requerida (NPSHR).

Si se requiere una succión de la bomba de tamaño superior al tamaño del tubo, **DEBE** instalarse un reductor de tubo excéntrico, con el lado recto hacia arriba, en la succión de la bomba.

Si la bomba se instala debajo de la fuente de líquido, instale una válvula de aislamiento de flujo completo en la succión para la inspección y mantenimiento de la bomba.

AVISO: NO UTILICE LA VÁLVULA DE AISLAMIENTO PARA REGULAR LA BOMBA. ESTO PODRÍA CAUSAR PÉRDIDA DE CEBADO, TEMPERATURAS EXCESIVAS Y DAÑO A LA BOMBA, ANULANDO LA GARANTÍA.

Si la bomba se instala arriba de la fuente de líquido, **DEBE** asegurarse lo siguiente:

Para evitar las bolsas de aire, ninguna parte de la tubería debe estar situada arriba de la conexión de succión de la bomba.

Incline la tubería hacia arriba de la fuente de líquido. Utilice una válvula de aspiración o válvula de retención **SÓLO** si es necesario para el cebado o para retener el cebado durante un servicio intermitente.

El colador de succión o campana de succión **DEBE** ser al menos 3 veces el área del diámetro de la tubería de succión.

Asegure que el tamaño y la sumersión mínima sobre la entrada de succión sea suficiente para evitar la entrada de aire a través de un vórtice de succión.

TUBERÍAS - DESCARGA

Instale una válvula de retención adecuada para manejar el flujo, los líquidos y para evitar el contraflujo. Después de la válvula de retención, instale una válvula de compuerta de tamaño adecuado que se utilizará para regular la capacidad de la bomba, para inspeccionar la bomba y para su mantenimiento.

Cuando se requiera, el aumentador de tubo debe instalarse entre la válvula de retención y la descarga de la bomba.

ALAMBRADO Y CONEXIÓN A TIERRA



- Instale, conecte a tierra y alambre de acuerdo con los requerimientos del Código Eléctrico Nacional o local.
- Instale un desconectador de todos los circuitos, cerca de la bomba.
- Desconecte y bloquee la corriente eléctrica antes de instalar o dar servicio a la bomba.

El suministro eléctrico **DEBE** coincidir con las especificaciones de la placa del fabricante de la bomba. La tensión incorrecta puede causar incendios, daños al motor y anular la garantía.

Los motores equipados con protección térmica automática abren el circuito eléctrico del motor cuando existe una sobrecarga térmica. Esto puede producir el arranque inesperado y sin aviso de la bomba.

Use únicamente alambre trenzado de cobre para el motor y la conexión a tierra. El alambre de conexión a tierra **DEBE** ser al menos del mismo tamaño que el alambre al motor. Los alambres deben codificarse con colores para facilitar el mantenimiento.



LA FALLA DE CONECTAR A TIERRA PERMANENTEMENTE LA BOMBA, EL MOTOR Y LOS CONTROLES, ANTES DE CONECTAR LA CORRIENTE ELÉCTRICA PUEDE CAUSAR CHOQUES, QUEMADURAS O LA MUERTE.

AVISO: LA ROTACIÓN DE LA UNIDAD ES EN SENTIDO DE LAS AGUJAS DEL RELOJ CUANDO SE MIRA DESDE EL EXTREMO DEL MOTOR. LA ROTACIÓN INCORRECTA PUEDE CAUSAR DAÑO A LA BOMBA Y ANULAR LA GARANTÍA.

OPERACIÓN

AVISO: HAY QUE CEBAR COMPLETAMENTE LA BOMBA ANTES DE SU OPERACIÓN.



LA OPERACIÓN CON UN FLUJO DE CERO O CERCA DE CERO PUEDE CAUSAR CALOR EXTREMO, LESIONES PERSONALES O DAÑOS MATERIALES.

Inspeccione la tubería después de estabilizar el sistema en las condiciones normales de operación. Si es necesario, ajuste los soportes de tubería.

MANTENIMIENTO

Los motores tienen cojinetes de lubricación permanente. No es posible ni es necesario lubricar. Siga las recomendaciones del fabricante del motor con respecto al mantenimiento.

DESMONTAJE



LA FALLA DE DESCONECTAR Y BLOQUEAR LA CORRIENTE ELÉCTRICA ANTES DE INTENTAR CUALQUIER MANTENIMIENTO, PUEDE CAUSAR CHOQUES, QUEMADURAS O LA MUERTE.



LA CARCASA PUEDE CONTENER FLUIDOS PELIGROSOS QUE PUEDEN PRODUCIR LESIONES PERSONALES O DAÑOS MATERIALES.

Conteniendo el líquido bombeado en la forma requerida, quite los tapones de venteo y drenaje (408) de la carcasa de la bomba. Retire y deseche los anillos en O de los tapones respectivos. Drene y enjuague el sistema, en la forma requerida.

Retire los cuatro pernos del cimientado o base del motor.

Quite los ocho tornillos de cabeza cuadrada (370) de la carcasa; luego, empleando las ranuras en la carcasa (100), retire el conjunto de desmontaje trasero de la carcasa.

Retire y deseche el anillo en O (513) de la carcasa y el anillo en O interno de la carcasa (349).

AVISO: EL IMPULSOR COMPRIME EL RESORTE DEL SELLO MECÁNICO - ESTÉ PREPARADO PARA QUE EL IMPULSOR SALTE DEL EJE AL RETIRAR EL IMPULSOR.

Retire la tapa del extremo del motor, dejando al descubierto una ranura en el extremo del eje del motor. Mientras sujeta el eje con un destornillador para que no gire, quite la contratuerca del impulsor (304) girándola en **SENTIDO CONTRARIO A LAS AGUJAS DEL RELOJ.**

Quite el impulsor (101) girándolo en sentido contrario a las agujas del reloj visto desde el frente de la bomba. Proteja las manos con un trapo o con guantes. Caliente esta zona durante 1 a 2 minutos hasta una temperatura de aproximadamente 250°C. Desensamble mientras esté caliente. El calor reducirá la torsión de liberación de Loctite 243 y facilitará el retiro del impulsor.



Un calentamiento excesivo podrá dañar el sello. Se recomienda reemplazar el sello en caso de desensamble o reparación de la bomba.

Utilizando dos alzaprimas separadas 180°, separe **CUIDADOSAMENTE** la caja del sello (184) del adaptador del motor (108). El conjunto giratorio del sello mecánico (383) se deslizará del eje del motor con la caja del sello.

Retire **CUIDADOSAMENTE** el asiento estacionario del sello mecánico de la caja del sello. Inspeccione y limpie el orificio del asiento estacionario. Reemplácelo según sea necesario. **DESECHE** el conjunto del sello mecánico.

Si es necesario, quite los cuatro pernos hexagonales del motor (371) y deslice **CUIDADOSAMENTE** el adaptador del motor del eje.

Reinstale el conjunto del motor y el deflector (123), según sea requerido.

Esto completa la operación de desmontaje.

MONTAJE

Si se había retirado, reinstale el deflector del eje del motor. Instale el adaptador del motor con la abertura de drenaje **HACIA ABAJO**, utilizando los cuatro pernos hexagonales. Torsione los pernos a 168 lb.-pulgadas (19 N•m).

Deslice el conjunto de la caja del sello sobre el eje del motor, asentándolo en forma completa y encuadrada contra el adaptador del motor.

Utilizando un lubricante de anillos en O de buena calidad, lubrique el elastómero exterior del asiento estacionario del sello mecánico. Instale el asiento estacionario en forma completa y encuadrada en la caja del sello. Con un paño limpio y sin pelusas, limpie **CUIDADOSAMENTE** todos los residuos o lubricante de la cara del asiento. NO dañe la cara del asiento.

Utilizando un lubricante de anillos en O de buena calidad, lubrique el elastómero interior del conjunto giratorio del sello mecánico. Instale el conjunto giratorio en forma completa y encuadrada contra el asiento estacionario.

Para instalar el impulsor, limpie el eje y el impulsor cuidadosamente con alcohol desnaturalizado y un cepillo de alambre para quitar el Loctite curado de las roscas. Espere que sequen las partes luego aplique el primario Loctite 7649 a las roscas del eje y del impulsor. Deje que seque el primario durante 3 a 5 minutos. Aplique a las roscas del eje 3 gotas de bloqueador de resistencia media Loctite 243 y 2 gotas a las roscas del impulsor. Torsione el impulsor a 144 lb.-pulgadas (16 N•m).

Utilizando un lubricante del anillo o del grado de calidad, lubrique e instale un anillo o nuevo y el anillo o interno (1SN de la cubierta solamente).

Deslice el conjunto de desmontaje trasero en la carcasa de la bomba y sujételo con los ocho tornillos de cabeza cuadrada de la carcasa. Torsione los tornillos de cabeza cuadrada a 70 lb.-pulgadas (8 N•m) en una secuencia de configuración cruzada para asegurar que la carcasa se asiente en forma pareja.

Con los nuevos anillos en O instalados, coloque los tapones de venteo y drenaje de la carcasa, apretándolos firmemente.

Esto completa la operación de montaje.

IDENTIFICACIÓN Y RESOLUCIÓN DE PROBLEMAS

⚠️ ADVERTENCIA

Tensión peligrosa

LA FALLA DE DESCONECTAR Y BLOQUEAR LA CORRIENTE ELÉCTRICA ANTES DE INTENTAR CUALQUIER MANTENIMIENTO, PUEDE CAUSAR CHOQUES, QUEMADURAS O LA MUERTE.

SÍNTOMA

EL MOTOR NO ESTÁ FUNCIONANDO

Ver las causas probables 1 a 5.

SE ENTREGA POCO O NADA DE LÍQUIDO

Ver las causas probables 6 a 13.

CONSUMO EXCESIVO DE CORRIENTE

Ver las causas probables 3, 13, 14, 15 y 16.

RUIDO Y VIBRACIÓN EXCESIVOS

Ver las causas probables 3, 6, 7, 8, 10, 12, 14, 16 y 17.

CAUSAS PROBABLES

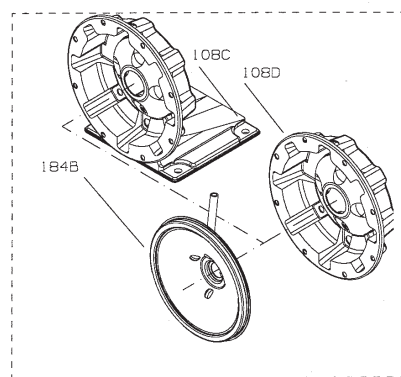
1. Se disparó el protector térmico del motor
2. Cortacircuitos abierto o fusible quemado
3. Roce del impulsor
4. Cableado incorrecto del motor
5. Motor defectuoso
6. La bomba no está cebada, hay aire o gases en el agua bombeada
7. Descarga o succión bloqueada o válvula cerrada
8. Rotación incorrecta (unidades trifásicas únicamente)
9. Baja tensión o pérdida de fase
10. Impulsor gastado o taponado
11. Carga del sistema muy alta
12. NPSHA demasiado baja - elevación o pérdidas de succión excesivas.
13. Diámetro incorrecto del impulsor
14. Carga de descarga demasiado baja - velocidad de flujo excesiva.
15. Viscosidad o peso específico del fluido demasiado alto
16. Cojinete gastado
17. La bomba, el motor o la tubería está suelta.

PARTES DE REPUESTO

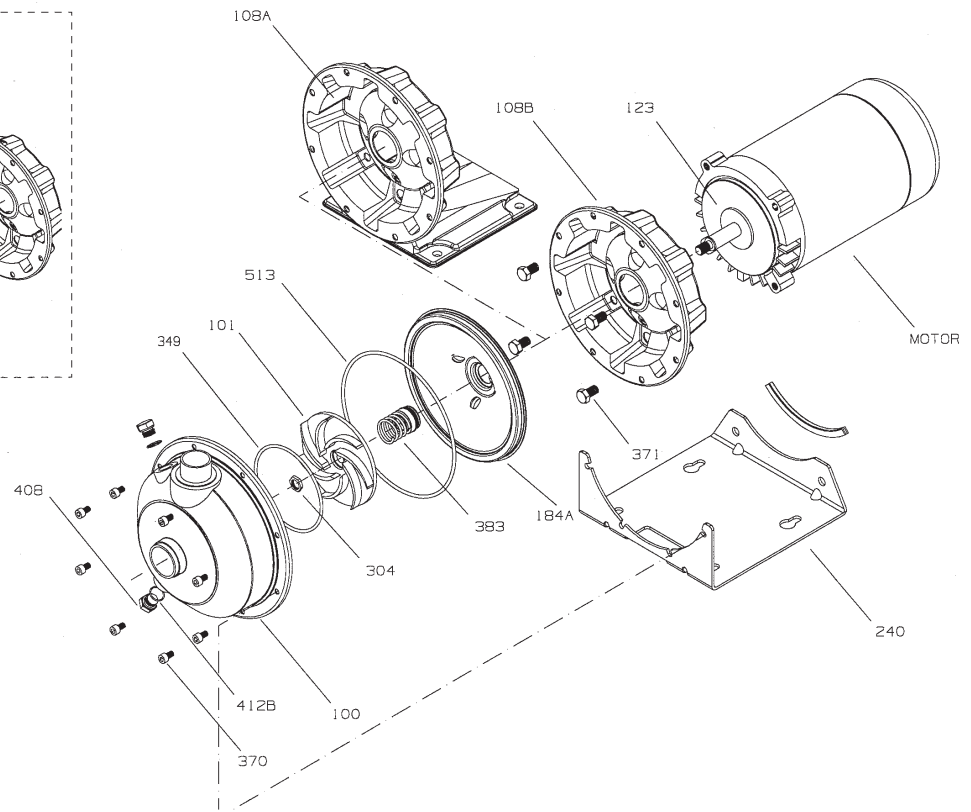
Art. N°.	Descripción	Materiales de construcción	Cant.
100	Carcasa	Ac. inox. AISI 316L	1
101	Impulsor		
108A	Adaptador del motor con pata	Ac. inox. AISI 316L	1
108B	sin pata		
108C	con pata y encaje		
108D	sin pata o encaje		
123	Deflector	BUNA-N	1
184A	Caja del sello - estándar	Ac. inox. AISI 316L	1
184B	Caja del sello con el sello a ras		
240	Soporte del motor	Ac. inox. 300	1
	Canal de caucho	Caucho	1
304	Contratuercas del impulsor	Ac. inox. AISI 316	1
349	Anillo en O, interno (1SN solamente)	Viton estándar	1
		EPR	
		BUNA	
370	Tornillo de cabeza hueca, carcasa	Ac. inox. AISI 430	8
371	Pernos, motor	Acero-enchapado	4
383	Sello mecánico	Ver la tabla del sello mecánico	1
408	Tapón de drenaje y venteo, carcasa	Ac. inox. AISI 316	2
412B	Anillo en O, tapones de drenaje	Viton estándar	2
		EPR	
		BUNA	
513	Anillo en O, carcasa	Viton estándar	1
		EPR	
		BUNA	

Código del impulsor	Tamaño de la bomba		
	1SN 1 x 1¼ - 6	2SN 1¼ x 1½ - 6	3SN 1½ x 2 - 6
	Diámetro	Diámetro	Diámetro
A	4 ⁵ / ₁₆	5 ⁵ / ₁₆	5 ⁵ / ₁₆
B	4	5 ⁵ / ₁₆	5 ¹ / ₄
C	3 ³ / ₄	4 ⁵ / ₈	4 ¹⁵ / ₁₆
D	3 ¹ / ₂	4 ⁵ / ₁₆	4 ⁵ / ₈
E	3 ¹ / ₄	4 ¹ / ₁₆	4 ⁷ / ₁₆
F	3	3 ³ / ₄	4 ³ / ₁₆
G	5 ⁵ / ₈	3 ⁷ / ₁₆	3 ³ / ₄
H	5	-	-

Sello mecánico John Crane tipo 21 (sello de 5/8 pulg.)				
Código del sello	Giratorio	Estacionario	Elastómero	Partes de metal
2	Carbón	Sil. Carbón	EPR	Ac. inox 316
4			Viton	
5	Sil-Carbón		EPR	
6			Viton	



COMPONENTES OPCIONALES DEL ENCAJE DEL SELLO



GARANTÍA COMERCIAL

Para los productos vendidos a compradores comerciales, el Vendedor garantiza que los productos vendidos al Comprador en virtud del presente (con excepción de membranas, sellos, juntas, materiales de elastómero, revestimientos y otras "partes de desgaste" o consumibles, que no se garantizan, con excepción de lo dispuesto por el contrario en la cotización o formulario de venta) (i) se construirán de acuerdo con las especificaciones referidas en la cotización o formulario de venta, si tales especificaciones se realizan expresamente como parte de este Acuerdo, y (ii) están libres de defectos en material y mano de obra por un período de un (1) año desde la fecha de instalación odieciocho (18) meses desde la fecha de envío (y tal fecha de envío no deberá ser posterior a treinta (30) días posteriores a la recepción del aviso que los productos están listos para ser enviados), lo que ocurra primero, a menos que se especifique un período mayor en la documentación del producto (la "Garantía").

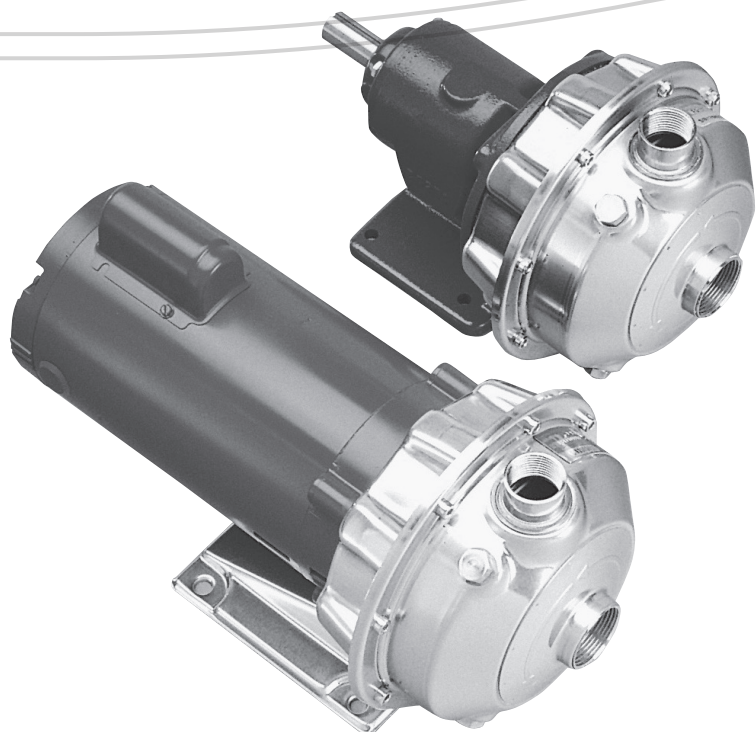
Con excepción de lo requerido por ley, el Vendedor, a su opción y sin costo alguno para el Comprador, reparará o reemplazará el producto que no se ajuste a la Garantía en tanto que el Comprador envíe un aviso escrito al Vendedor sobre todo defecto en material o mano de obra dentro de diez (10) días de la fecha en que aparecen por primera vez los defectos o no conformidades. Según la opción de reparación o reemplazo, el Vendedor no estará obligado a remover o pagar la remoción del producto defectuoso ni instalar o pagar la instalación del producto reemplazado o reparado y el Comprador será responsable de todos los demás costos, que incluyen, entre otros, los costos de servicio, aranceles y gastos de envío. El Vendedor tendrá la exclusiva facultad de decisión con respecto al método o medio de reparación o reemplazo. El incumplimiento del Comprador de las instrucciones de reparación o reemplazo del Vendedor rescindirá las obligaciones del Vendedor en virtud de esta Garantía y anulará esta Garantía. Toda pieza reparada o reemplazada en virtud de la Garantía es garantizada solo por el resto del período de garantía por las piezas reparadas o reemplazadas. El Vendedor no tendrá obligaciones de garantía frente al Comprador con respecto a ningún producto o pieza de un producto que haya sido: (a) reparado por terceros que no sean el Vendedor o sin la aprobación escrita del Vendedor; (b) sujeto a uso incorrecto, aplicación incorrecta, descuido, alteración, accidente o daño físico; (c) usado de forma contraria a las instrucciones del Vendedor para la instalación, operación y mantenimiento; (d) dañado por el uso y desgaste normal, corrosión o ataque químico; (e) dañado debido a condiciones anormales, vibración, falta de cebado correcto o funcionamiento sin flujo; (f) dañado debido a una fuente de alimentación defectuosa o protección eléctrica incorrecta; o (g) dañado debido al uso de equipos accesorios no vendidos o aprobados por el Vendedor. En el caso de productos no fabricados por el Vendedor, no hay garantía del Vendedor; sin embargo, el Vendedor extenderá al Comprador toda garantía recibida del proveedor del Vendedor de tales productos.

LA GARANTÍA ANTERIOR ES EXCLUSIVA Y REEMPLAZA TODA OTRA GARANTÍA, CONDICIÓN O TÉRMINO EXPRESO O IMPLÍCITO DE CUALQUIER NATURALEZA RELACIONADO CON LOS PRODUCTOS PROVISTOS EN VIRTUD DEL PRESENTE, INCLUYENDO, SIN CARÁCTER LIMITATIVO, LAS GARANTÍAS IMPLÍCITAS DE COMERCIABILIDAD E IDONEIDAD PARA UN PROPÓSITO EN PARTICULAR, QUE POR EL PRESENTE SE RECHAZAN Y EXCLUYEN EXPRESAMENTE. CON EXCEPCIÓN DE LO DISPUESTO POR LA LEY EN CONTRARIO, EL EXCLUSIVO REMEDIO DEL COMPRADOR Y LA RESPONSABILIDAD TOTAL DEL VENDEDOR POR EL INCUMPLIMIENTO DE ALGUNA DE LAS GARANTÍAS ANTERIORES SE LIMITA A REPARAR O REEMPLAZAR EL PRODUCTO Y EN TODO CASO SE LIMITARÁ AL IMPORTE PAGADO POR EL COMPRADOR POR EL PRODUCTO DEFECTUOSO. EN NINGÚN CASO EL VENDEDOR SERÁ RESPONSABLE POR OTRA FORMA DE DAÑOS, YA SEA DIRECTOS, INDIRECTOS, LIQUIDADOS, INCIDENTALES, RESULTANTES, PUNITIVOS, EJEMPLARES O ESPECIALES, INCLUYENDO, ENTRE OTROS, LA PÉRDIDA DE GANANCIAS, LA PÉRDIDA DE AHORROS ANTICIPADOS O GANANCIAS, LA PÉRDIDA DE INGRESOS, LA PÉRDIDA DEL NEGOCIO, LA PÉRDIDA DE PRODUCCIÓN, LA PÉRDIDA DE OPORTUNIDAD O LA PÉRDIDA DE REPUTACIÓN.



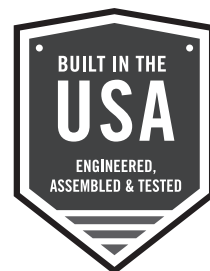
Xylem Inc.
2881 East Bayard Street Ext., Suite A,
Seneca Falls, NY 13148
Teléfono: (800) 453-6777 Fax: (888) 322-5877
www.xylem.com/goulds

Xylem is a trademark of Xylem Inc.
Goulds es una marca registrada de Goulds Pumps, Inc. y se utiliza bajo licencia.
© 2022 Xylem Inc. IM012 Revisión Número 7 Mayo 2022



Modèle NPO

DIRECTIVES D'INSTALLATION, D'UTILISATION ET D'ENTRETIEN



SUJET	PAGE
Consignes de sécurité.....	17
Description et caractéristiques	17
Données techniques	17
Modèles de pompe en option.....	17
Tuyauterie – généralités.....	17
Tuyauterie d'aspiration.....	17
Tuyauterie de refoulement	18
Câblage et mise à la terre.....	18
Utilisation	18
Entretien.....	18
Démontage.....	18
Remontage	19
Diagnostic des anomalies.....	19
Pièces, matériaux, dimensions et éclatés des NPO.....	20
Déclaration de conformité.....	21
Garantie pour Utilisation Commerciale	24

Informations pour le propriétaire

Numéro de modèle de la pompe: _____

Numéro de série de la pompe: _____

Détaillant: _____

N° de téléphone du détaillant: _____

Date d'achat: _____

Date d'installation: _____

Courant mesuré au démarrage:

	1 Ø	3 Ø	L1-2	L2-3	L3-1
A:	_____	A: _____	_____	_____	_____
V:	_____	V: _____	_____	_____	_____

CONSIGNES DE SÉCURITÉ

AFIN DE PRÉVENIR LES BLESSURES GRAVES OU MORTELLES ET LES DOMMAGES MATÉRIELS IMPORTANTS, LIRE ET SUIVRE CHAQUE CONSIGNE DE SÉCURITÉ FIGURANT DANS LE MANUEL ET SUR LA POMPE.

LE PRÉSENT MANUEL A POUR BUT DE FACILITER L'INSTALLATION ET L'UTILISATION DE LA POMPE ET DOIT RESTER PRÈS DE CELLE-CI.



Le symbole ci-contre est un **SYMBOLE DE SÉCURITÉ** employé pour signaler les mots-indicateurs dont on trouvera la description ci-dessous. Sa présence sert à attirer l'attention afin d'éviter les blessures et les dommages matériels.



Prévient des risques qui **VONT** causer des blessures graves, la mort ou des dommages matériels importants.



Prévient des risques qui **PEUVENT** causer des blessures graves, la mort ou des dommages matériels importants.



Prévient des risques qui **PEUVENT** causer des blessures ou des dommages matériels.

AVIS : SERT À ÉNONCER LES DIRECTIVES SPÉCIALES DE GRANDE IMPORTANCE QUE L'ON DOIT SUIVRE.

LIRE SOIGNEUSEMENT CHAQUE DIRECTIVE ET AVERTISSEMENT AVANT D'EFFECTUER TOUT TRAVAIL SUR LA POMPE.

N'ENLEVER AUCUN AUTOCOLLANT DE SÉCURITÉ.



APPAREIL NON CONÇU POUR LES LIQUIDES DANGEREUX NI POUR LES GAZ INFLAMMABLES. CES FLUIDES POURRAIENT ÊTRE PRÉSENTS DANS LES INSTALLATIONS DE CONFINEMENT (PUITS COLLECTEURS).



Les fluides dangereux peuvent causer un incendie, des brûlures ou la mort.

DESCRIPTION et CARACTÉRISTIQUES

La série NPO comprend une gamme de pompes centrifuges, à orifice de refoulement de 1 po, 1 ¼ po ou 1 ½ po NPT et à aspiration en bout, servant au transfert de liquides de nature générale et à l'augmentation de pression. La tête de pompage est tout en inox AISI 316 estampé et soudé. La roue, ouverte, est idéale pour le pompage de liquides pouvant contenir des matières en suspension de ¾ po de grosseur.

DONNÉES TECHNIQUES

Température maximale du liquide:

- 100°C (212°F), avec garniture mécanique standard;
- 120°C (250°F), avec garniture mécanique en option pour hautes températures.

Pression maximale: 862 kPa (125 lb/po²)

Démarrages par heure: 20, répartis uniformément

MODÈLES DE POMPE EN OPTION

Les NPO sont offertes en version monobloc (pompe sur moteur) ou sur palier, avec des moteurs monophasés ou triphasés abrités ou fermés autoventilés, ou bien avec des moteurs triphasés antidéflagrants. Les matériaux des garnitures mécaniques en option sont: carbone-céramique-buna, carbone-céramique-viton, carbone-carbure de silicium-éthylène-propylène, carbure de silicium-carbure de silicium-éthylène-propylène et carbure de silicium-carbure de silicium-viton. S'informer du prix et de la disponibilité auprès du distributeur.

TUYAUTERIE – GÉNÉRALITÉS



L'INSTALLATION DE LA POMPE DOIT INCLURE UN DRAINAGE ADÉQUAT

OU SITUÉ DE MANIÈRE À CE QUE D'AUTRES ÉQUIPEMENTS OU BIENS NE SOIENT PAS ENDOMMAGÉS EN CAS DE FUITE. LA POMPE NE DOIT PAS ÊTRE INSTALLÉE AU-DESSUS DE L'ÉQUIPEMENT SANS DRAINAGE ADÉQUAT. LE NON-RESPECT DE CETTE CONSIGNE POURRAIT CAUSER DES DOMMAGES MATÉRIELS.



UN SERRAGE EXCESSIF DES FIXATIONS DU BOÎTIER RISQUE DE LES ENDOMMAGER ET DE CAUSER DES FUITES ET DES DOMMAGES MATÉRIELS.

Afin de réduire les pertes de charge (par frottement) au minimum, maintenir la tuyauterie aussi courte que possible, ne pas employer un calibre de tuyau inférieur à celui des raccords de la pompe ni utiliser d'accessoires ou de raccords de tuyauterie superflus.

La tuyauterie **DOIT** posséder ses propres supports et **NE DOIT PAS** appliquer de contraintes sur la pompe.

AVIS: LA TUYAUTERIE NE DOIT PAS APPLIQUER DE CONTRAINTES SUR LES RACCORDS D'ASPIRATION ET DE REFOULEMENT DE LA POMPE.

Chaque joint de tuyauterie **DOIT** être étanche.

TUYAUTERIE D'ASPIRATION

On recommande une tuyauterie d'aspiration courte et directe. Si la hauteur d'aspiration dépasse 3 m (10 pi) et la température du liquide, 49°C (120°F), consulter la courbe de performances de la pompe pour obtenir la hauteur nette d'aspiration requise (NPSHR).

Lorsqu'il faut un tuyau plus gros que l'orifice d'aspiration de la pompe, on **DOIT** poser un raccord réducteur excentré (le côté non oblique en haut) sur l'orifice d'aspiration.

Si la pompe est plus basse que la source de liquide, poser un robinet d'isolement à passage intégral sur le tuyau d'aspiration pour l'inspection et l'entretien.

AVIS: NE PAS EMPLOYER LE ROBINET D'ISOLEMENT POUR RÉDUIRE LA SECTION DE PASSAGE VERS LA POMPE, CAR CELA POURRAIT DÉSAMORCER CELLE-CI, EN CAUSER LA SURCHAUFFE ET L'ENDOMMAGER, ANNULANT AINSI LA GARANTIE.

Lorsque la pompe est plus haute que la source de liquide, on **DOIT** suivre les directives suivantes:

Afin de prévenir les poches d'air, aucun élément de la tuyauterie d'aspiration ne devrait être plus haut que le raccord d'aspiration de la pompe.

Donner à la tuyauterie une inclinaison vers le haut à partir de la source de liquide.

Employer un clapet de pied ou de non-retour **SEULEMENT** s'il est nécessaire pour amorcer la pompe ou la maintenir amorcée au cours des interruptions de service.

La section de passage de la crépine ou de la tulipe d'aspiration **DOIT** être au moins le triple de celle du tuyau d'aspiration.

S'assurer que le diamètre et la hauteur d'immersion de l'entrée du tuyau d'aspiration sont suffisants pour empêcher l'aspiration d'air par vortex.

TUYAUTERIE DE REFOULEMENT

Poser un clapet de non-retour convenant au débit et aux liquides pompés. En aval du clapet, installer un robinet-vanne de section de passage appropriée, pour la régularisation du débit ainsi que l'inspection et l'entretien de la pompe.

Lorsqu'un raccord agrandisseur est nécessaire, le poser entre le clapet de non-retour et l'orifice de refoulement de la pompe.

CÂBLAGE ET MISE À LA TERRE



⚠️ Installer la pompe, la mettre à la terre et la brancher suivant les prescriptions du code provincial ou national de l'électricité pertinent et les règlements locaux.

⚠️ Poser un sectionneur tout conducteur près de la pompe.

⚠️ Verrouiller la source de courant de la pompe en position hors circuit avant de procéder à l'installation ou à l'entretien de la pompe.

⚠️ L'alimentation électrique **DOIT** être conforme aux spécifications de la plaque signalétique du moteur. Une tension inappropriée peut causer un incendie ou des dommages au moteur et annule la garantie.

⚠️ Les moteurs munis d'un protecteur thermique s'arrêtent lorsqu'il y a une surcharge thermique et redémarrent automatiquement et de façon imprévue.

N'utiliser que du fil de cuivre torsadé pour la mise à la terre et l'alimentation du moteur. Le calibre du fil de terre **DOIT** être au moins égal à celui des fils d'alimentation, et les fils devraient tous être chromocodés pour faciliter l'entretien.



OMETTRE LA MISE À LA TERRE PERMANENTE DE LA POMPE, DU MOTEUR ET DES COMMANDES AVANT LE BRANCHEMENT À LA SOURCE DE COURANT PEUT CAUSER UN CHOC ÉLECTRIQUE, DES BRÛLURES ET LA MORT.

AVIS: LA ROTATION EST EN SENS HORAIRE, VUE DU CÔTÉ MOTEUR. LA ROTATION DANS LE MAUVAIS SENS PEUT ENDOMMAGER LA POMPE ET ANNULE LA GARANTIE.

UTILISATION

AVIS: LA POMPE DOIT ÊTRE BIEN AMORCÉE AVANT SA MISE EN SERVICE.



UN DÉBIT DE POMPAGE NUL OU PRESQUE PEUT CAUSER ÉCHAUFFEMENT EXCESSIF, DES BLESSURES ET DES DOMMAGES MATÉRIELS.

Faire fonctionner la pompe dans des conditions de service normales, attendre que le système se stabilise, puis vérifier la tuyauterie et en régler la position des supports au besoin.

ENTRETIEN

Les roulements des moteurs sont lubrifiés à vie. Il est donc impossible et superflu de les lubrifier. Pour l'entretien, suivre les recommandations du fabricant du moteur.

DÉMONTAGE



OMETTRE LE VERROUILLAGE DE LA SOURCE DE COURANT EN POSITION HORS CIRCUIT AVANT D'EFFECTUER TOUT TRAVAIL D'ENTRETIEN SUR LA POMPE PEUT CAUSER UN CHOC ÉLECTRIQUE, DES BRÛLURES ET LA MORT.



LE CORPS DE POMPE PEUT CONTENIR DES FLUIDES DANGEREUX POUVANT CAUSER DES BLESSURES ET DES DOMMAGES MATÉRIELS.

Prendre des dispositions pour confiner le liquide pompé selon les exigences, déposer ensuite les bouchons de vidange et de mise à l'air libre (408) du corps de pompe, ôter et jeter le joint torique des bouchons, puis vidanger et rincer le système au besoin.

Enlever les quatre vis d'ancrage du moteur.

Déposer les huit vis à pans creux (370) du corps de pompe, puis, à l'aide de leviers et des fentes du corps de pompe, écarter l'ensemble d'entraînement de la roue de ce dernier.

Ôter et jeter les joints toriques externe (513) et interne (349) du corps de pompe.

AVIS: LE RESSORT DE LA GARNITURE MÉCANIQUE EST COMPRIMÉ PAR LA ROUE ET PEUT DONC PROJETER CELLE-CI QUAND ON ENLÈVE L'ÉCROU LA RETENANT.

Déposer le couvercle d'extrémité du moteur. Avec un tournevis inséré dans la fente du bout de l'arbre de moteur, bloquer l'arbre, puis dévisser (**SENS ANTIHORAIRE**) et ôter l'écrou autofreiné (304) s'il y est.

Se protéger les mains avec un chiffon ou des gants, chauffer le moyeu de la roue (101) de 1 à 2 min à environ 250°C et dévisser (sens antihoraire, vu du côté aspiration) la roue pendant qu'elle est chaude et facile à enlever, l'adhérence du Loctite 243 étant réduite par la chaleur.

ATTENTION La surchauffe peut abîmer la garniture mécanique, qu'il est recommandé de remplacer lorsqu'on démonte ou répare la pompe.

À l'aide de deux leviers placés dans un angle de 180°, séparer le logement de garniture (184) et l'adaptateur de moteur (108) **AVEC PRÉCAUTION**. L'élément mobile de la garniture mécanique (383) s'enlève avec le logement.

Pousser l'élément fixe de la garniture mécanique hors du logement **AVEC PRÉCAUTION**. Nettoyer et inspecter le siège de l'élément fixe. Remplacer le logement au besoin. **JETER** la garniture mécanique.

S'il le faut, déposer les quatre vis à tête hexagonale (371) du moteur, puis enlever l'adaptateur de moteur **AVEC PRÉCAUTION**.

Remplacer le moteur et le déflecteur (123) au besoin.

Le démontage est terminé.

REMONTAGE

Remplacer et remettre le déflecteur en place sur l'arbre de moteur s'il a été enlevé. Avec les quatre vis à tête hexagonale, serrées à 19 N·m (168 lbf·po), assujettir l'adaptateur de moteur, l'orifice de vidange **EN BAS**.

Enduire la surface extérieure en élastomère de l'élément fixe de la garniture mécanique avec un lubrifiant de qualité pour joints toriques. Pousser l'élément fixe à fond et à angle droit dans son siège, sur le logement de garniture. Avec un linge propre non pelucheux, ôter tout résidu et excès de lubrifiant de l'élément fixe **AVEC SOIN. NE PAS** endommager l'élément.

Enfiler le logement de garniture sur l'arbre de moteur et le pousser à fond et à angle droit contre l'adaptateur de moteur.

Enduire la surface intérieure en élastomère de l'ensemble élément mobile de la garniture mécanique avec un lubrifiant qualité pour joints toriques, enfiler l'ensemble sur l'arbre et le pousser à fond et à angle droit contre l'élément fixe.

Avant de poser la roue, en déloger des filets et de ceux de l'arbre les résidus de Loctite avec une brosse métallique et de l'alcool dénaturé. Laisser les filets sécher, les enduire d'apprêt Loctite 7649 et attendre que l'apprêt sèche (de 3 à 5 min). Étaler 3 gouttes de Loctite 243 de résistance moyenne sur les filets de l'arbre et 2 sur les filets de la roue. Visser et serrer la roue à 16 N·m (144 lbf·po).

Recouvrir les joints toriques interne et externe neufs du corps de pompe de lubrifiant de qualité pour joints toriques, puis poser les joints.

Réinsérer l'ensemble d'entraînement de la roue dans le corps de pompe et l'assujettir avec les huit vis à pans creux, serrées à 8 N·m (70 lbf·po) et en croix pour un appui uniforme.

Poser un joint torique neuf sur les bouchons de vidange et de mise à l'air libre, puis visser les bouchons à fond en place.

Le remontage est achevé.

DIAGNOSTIC DES ANOMALIES



OMETTRE LE VERROUILLAGE DE LA SOURCE DE COURANT EN POSITION HORS CIRCUIT AVANT D'EFFECTUER TOUT TRAVAIL D'ENTRETIEN SUR LA POMPE PEUT CAUSER UN CHOC ÉLECTRIQUE, DES BRÛLURES ET LA MORT.

ANOMALIE

NON-FONCTIONNEMENT DU MOTEUR

(V. causes probables 1 à 5)

DÉBIT DE REFOULEMENT FAIBLE OU NUL

(V. causes probables 6 à 13)

CONSOMMATION D'ÉNERGIE EXCESSIVE

(V. causes probables 3, 13, 14, 15 et 16)

VIBRATION ET BRUIT EXCESSIFS

(V. causes probables 3, 6, 7, 8, 10, 12, 14, 16 et 17)

CAUSE PROBABLE

1. Protecteur thermique du moteur déclenché
2. Disjoncteur ouvert ou fusible sauté
3. Roue grippée
4. Moteur mal connecté
5. Moteur défectueux
6. Pompe non amorcée, air ou gaz présent dans le liquide pompé
7. Tuyau d'aspiration ou de refoulement obstrué ou robinet fermé
8. Mauvais sens de rotation (moteurs triphasés seulement)
9. Basse tension électrique ou perte de phase
10. Roue usée ou engorgée
11. Hauteur de charge du système trop élevée
12. Hauteur nette d'aspiration disponible (NPSHA) trop faible: hauteur ou perte d'aspiration excessives
13. Diamètre de roue inapproprié
14. Hauteur de refoulement trop faible: débit excessif
15. Viscosité ou densité trop élevées
16. Roulement(s) usé(s)
17. Pompe, moteur ou tuyauterie mal assujettis

PIÈCES, MATÉRIAUX, DIMENSIONS ET ÉCLATÉS DES NPO

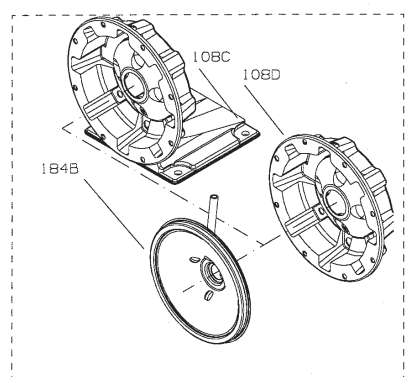
N° d'art.	Description	Matériau	N ^{bre}
100	Corps de pompe	Inox AISI 316L	1
101	Roue		
108A	Adaptateur de moteur avec plaque-support	Inox AISI 316L	1
108B	sans plaque-support		
108C	avec P-S et rinceur		
108D	sans P-S ni rinceur		
123	Défecteur	Buna-N	1
184A	Logement de garniture standard	Inox AISI 316L	1
184B	Logement de garniture avec rinceur		
240	Plaque-support (moteur)	Inox 300	1
	Profilé en U	Caoutchouc	
304	Écrou autofreiné (roue)	Inox AISI 316	1
349	Joint torique interne (1SN seulement)	Viton (standard)	1
		Éthylène-propylène	
		Buna	
370	Vis à pans creux (CP)	Inox AISI 430	8
371	Vis (moteur)	Acier (galvanisé)	4
383	Garniture mécanique	(voir ci-contre)	1
408	Bouchons (vidange et MAL)	Inox AISI 316	2
412B	Joints toriques (bouchons)	Viton (standard)	2
		Éthylène-propylène	
		Buna	
513	Joint torique externe	Viton (standard)	1
		Éthylène-propylène	
		Buna	

CP = corps de pompe ; MAL = mise à l'air libre ; P-S = plaque-support.

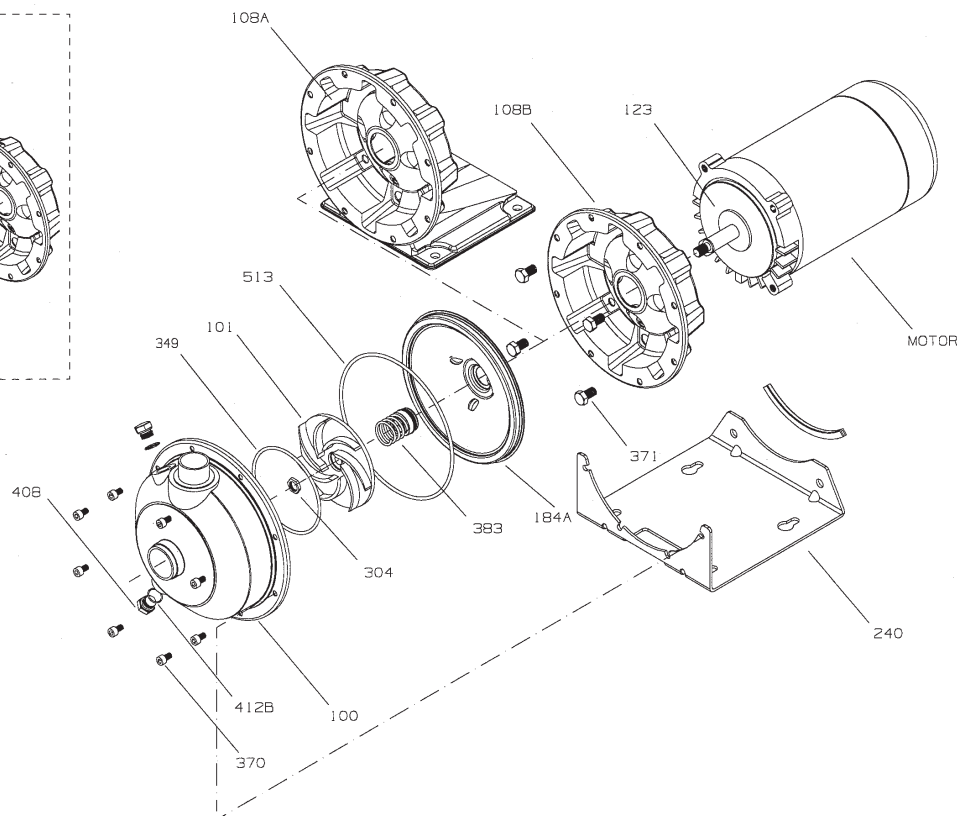
Code de roue	Dimensions (orifices et roues)		
	1SN 1 x 1¼ - 6 Diamètre (po)	2SN 1¼ x 1½ - 6 Diamètre (po)	3SN 1½ x 2 - 6 Diamètre (po)
A	4 ⁵ / ₁₆	5 ⁵ / ₁₆	5 ⁵ / ₁₆
B	4	5 ⁵ / ₁₆	5 ¹ / ₄
C	3 ³ / ₄	4 ⁵ / ₈	4 ¹⁵ / ₁₆
D	3 ¹ / ₂	4 ⁵ / ₁₆	4 ⁵ / ₈
E	3 ³ / ₄	4 ¹ / ₁₆	4 ⁷ / ₁₆
F	3	3 ³ / ₄	4 ³ / ₁₆
G	5 ⁵ / ₈	3 ⁷ / ₁₆	3 ³ / ₄
H	5		

Garniture mécanique John Crane, type 21 (garniture de 5/8 po)				
Code de garniture	Élément mobile	Élément fixe	Élastomère	Métal
2	Carbone	CS	E-P	Inox 316
4			Viton	
5	CS		E-P	
6			Viton	

CS = carbure de silicium ; E-P = éthylène-propylène.



COMPOSANTS EN OPTION AVEC RINCEUR DE GARNITURE



Declaration of Conformity

We at,
Goulds Water Technology/Xylem Inc.
1 Goulds Drive
Auburn, NY 13021

Declare that the following products: NPE, MCS, MCC, 3656, 3656 SP, GB, e-SV, SVI, NPO, Prime Line SP, HB, HMS, LC, NPV, LB, LBS comply with Machine Directive 06/42/EC. This equipment is intended to be incorporated with machinery covered by this directive, but must not be put into service until the machinery into which it is to be incorporated has been declared in conformity with the actual provisions of the directive.

Declaración de Conformidad

Nosotros en
Goulds Water Technology/Xylem Inc.
1 Goulds Drive
Auburn, NY 13021

Declaramos que los siguientes productos: NPE, MCS, MCC, 3656, 3656 SP, GB, e-SV, SVI, NPO, Prime Line SP, HB, HMS, LC, NPV, LB, LBS cumplen con las Directivas para Maquinarias 06/42/EC. Este equipo ha sido diseñado para ser incorporado a la maquinaria cubierta por esta directiva pero no debe ponerse en funcionamiento hasta que se declare que la maquinaria en la que será incorporado cumple con las disposiciones reales de la directiva.

Déclaration de Conformité

Nous, à
Goulds Water Technology/Xylem Inc.
1 Goulds Drive
Auburn, NY, U.S.A. 13021,

déclarons que les produits NPE, MCS, MCC, 3656, 3656 SP, GB, e-SV, SVI, NPO, Prime Line SP, HB, HMS, LC, NPV, LB et LBS sont conformes à la directive 06/42/EC (législation relative aux machines). Ils sont destinés à être intégrés dans la machinerie faisant l'objet de ladite directive, mais ne doivent pas être mis en service tant que la machinerie en question ne sera pas déclarée conforme aux stipulations de la directive.

GARANTIE POUR UTILISATION COMMERCIALE

Pour les biens vendus aux acheteurs commerciaux, le vendeur garantit les biens vendus ci-dessous (sauf pour les membranes, joints d'étanchéités, joints, matériaux en élastomère, revêtements et autres « pièces d'usure » ou articles consommables, ces derniers n'étant pas garantis sauf indication contraire sur le formulaire de soumission ou de vente) seront (i) intégrés selon les spécifications indiquées sur la soumission ou le formulaire de vente, si ces spécifications font partie intégrantes de cette entente, et (ii) sont libres de toute défectuosité matériel et de fabrication pendant une période de un (1) an depuis la date d'installation ou dix-huit (18) mois depuis la date d'expédition (la date d'expédition ne sera pas ultérieure à trente (30) jours après la réception de l'avis que les biens sont prêts à être expédiés), la première instance à survenir, à moins qu'une période plus longue n'ait été indiquée sur la documentation du produit (la « Garantie »).

Sauf mention contraire dans les lois, le vendeur, à son choix et sans frais pour l'acheteur, réparera ou remplacera tout produit défectueux en vertu de la garantie pour autant que l'acheteur donne un avis écrit au vendeur de toutes défectuosités matérielles ou de main d'oeuvre dans les dix (10) jours de la première occurrence d'un défaut ou non conformité. En vertu de l'option de réparation ou de remplacement, le vendeur n'est soumis à aucune obligation de retirer ou de faire retirer le produit défectueux ni d'installer ou de payer pour l'installation du produit réparé ou remplacé. L'acheteur ne peut être tenu responsable de tout autre frais, incluant, entre autre, frais de réparation, d'expéditions et dépenses. Le vendeur à son entière discrétion choisira la méthode ou le moyen de réparation ou de remplacement. Le défaut de l'acheteur de se conformer aux directives de réparation ou de remplacement du vendeur conclura les obligations du vendeur en vertu de la présente garantie et annulera la garantie. Toutes pièces réparées ou remplacées en vertu de la garantie seront couvertes uniquement pour la durée de la garantie restante sur les pièces ayant été réparées ou remplacées. Le vendeur n'aura aucune obligation de garantie envers l'acheteur pour tout produit ou pièces du produit ayant été : (a) réparées par une tierce partie autre que le vendeur ou sans l'approbation écrite du vendeur; (b) soumises à une mauvaise utilisation, mauvaise application, négligence, altération, accident ou dommage physique; (c) utilisées de manière contraire aux directives d'installation, d'opération et d'entretien du vendeur; (d) endommagées par une usure normale, corrosion ou produits chimiques; (e) endommagées par des conditions anormales, vibrations, défaut d'une amorce adéquate ou opération sans débit; (f) endommagées par une alimentation électrique défectueuse ou une mauvaise protection électrique; ou (g) endommagées par l'utilisation d'un accessoire n'ayant pas été vendu ou approuvé par le vendeur. Dans le cas de produits n'ayant pas été fabriqués par le vendeur, ce dernier n'offre aucune garantie; cependant le vendeur fera profiter l'acheteur de toute garantie qu'il aura reçu du fournisseur de tels produits.

LA PRÉSENTE GARANTIE EST EXCLUSIVE ET REMPLACE TOUTE AUTRE GARANTIE OU CONDITIONS EXPRESSES OU IMPLICITES DE QUELQUE NATURE SE RAPPORTANT AUX BIENS FOURNIS CI-APRÈS, INCLUSANT, SANS LIMITE, TOUTE GARANTIE IMPLICITE DE QUALITÉ MARCHANDE ET DE CONFORMITÉ À DES FINS PARTICULIÈRES, QUI SONT RÉFUTÉES EXPRESSÉMENT ET EXLUES. SAUF MENTION CONTRAIRE DANS LES LOIS, LE SEUL RECOURS DE L'ACHETEUR ET LA RESPONSABILITÉ DU VENDEUR EN CAS DE BRIS D'UNE DES GARANTIES CI-APRÈS EST LIMITÉ À LA RÉPARATION OU AU REMPLACEMENT DU PRODUIT ET SERA DANS TOUS LES CAS LIMITÉ AU MONTANT PAYÉ PAR L'ACHETEUR POUR LE PRODUIT DÉFECTUEUX. EN AUCUN CAS, LE VENDEUR NE POURRA ÊTRE TENU RESPONSABLE DE TOUTES AUTRES FORMES DE DOMMAGES, QU'IL SOIT DIRECT, INDIRECT, LIQUIDÉ, ACCIDENTEL, CONSÉCUTIF, PUNITIF, EXEMPLAIRE OU DOMMAGES SPÉCIAUX, INCLUANT, ENTRE AUTRES, PERTE DE PROFIT, PERTE D'ÉCONOMIE PRÉVUE OU DE REVENU, PERTE DE RENTRÉE MONÉTAIRE, PERTE DE CLIENTÈLE, PERTE DE PRODUCTION, PERTE D'OPPORTUNITÉ OU PERTE DE RÉPUTATION.



Xylem Inc.

2881 East Bayard Street Ext., Suite A,
Seneca Falls, NY 13148

Téléphone: (800) 453-6777 Télécopie: (888) 322-5877

www.xylem.com/goulds

Xylem is a trademark of Xylem Inc.

Goulds est une marque déposée de Goulds Pumps, Inc. et est utilisé sous le permis.

© 2022 Xylem Inc. IM012 Révision numéro 7 Mai 2022