

# JRSZ JRS5Z and JRS10Z

SHALLOW WELL JET PUMPS - 1/2 AND 1 HP (50 HZ)

## 50 Hz Residential Water Systems

### FEATURES

**Compact:** Design has an integral shallow well jet built into the casing, which eliminates the need for a separate shallow well adapter.

**Serviceable:**

- Back pullout design allows disassembly of pump for service without disturbing piping.
- Two compartment motor for easy access to motor wiring and replaceable components.
- Nozzle clean out plug in pump case.
- Corrosion resistant, engineered plastic tubing and fittings are easily removed for cleaning. Premium O-ring design fittings need only be hand tight to seal.
- O-ring casing seal

**Drain Plug:** For ease of winterizing and maintenance.

**Seal Housing:** Engineered composite. Corrosion and abrasion resistant.

**Impeller:** F.D.A. compliant, glass filled engineered composite. Corrosion and abrasion resistant.

**Diffuser (Guidevane):** F.D.A. compliant, injection molded, food grade, glass filled engineered composite for durability and abrasion resistance.

**Tubing and Fittings:** F.D.A. compliant engineered plastic is corrosion and U.V. resistant.

**Powered for Continuous Operation:** Pump ratings are within the motor manufacturer's recommended working limits. Can be operated continuously without damage.

**Corrosion Resistant:** Electro-coat paint process is applied inside and out, then baked on.

**Excellent Air Handling Ability:** After initial priming the pump has the ability to reprime itself even when air gets into the system. Pumping resumes once the water level rises above the foot valve.

### APPLICATIONS

Specifically designed for the following uses:

- Homes
- Cottages
- Booster service

### SPECIFICATIONS

**Pump:**

- Pipe connections: 1 ¼" suction and 1" discharge
- Pressure switch: AS4FX preset (30-50 PSI).

**Motor:**

- NEMA service factors
- 50 Hz
- ½ - 1 HP, 115/230 V capacitor start
- Single phase
- 2850 RPM
- Built-in overload with automatic reset
- Stainless steel shaft
- Rotation: clockwise when viewed from motor end

**Maximum temperature:** 140°F.

### SYSTEM COMPONENTS

- **Basic Pump Unit:** Includes pump with integral shallow well jet (nozzle and venturi), motor, pressure switch and tubing.

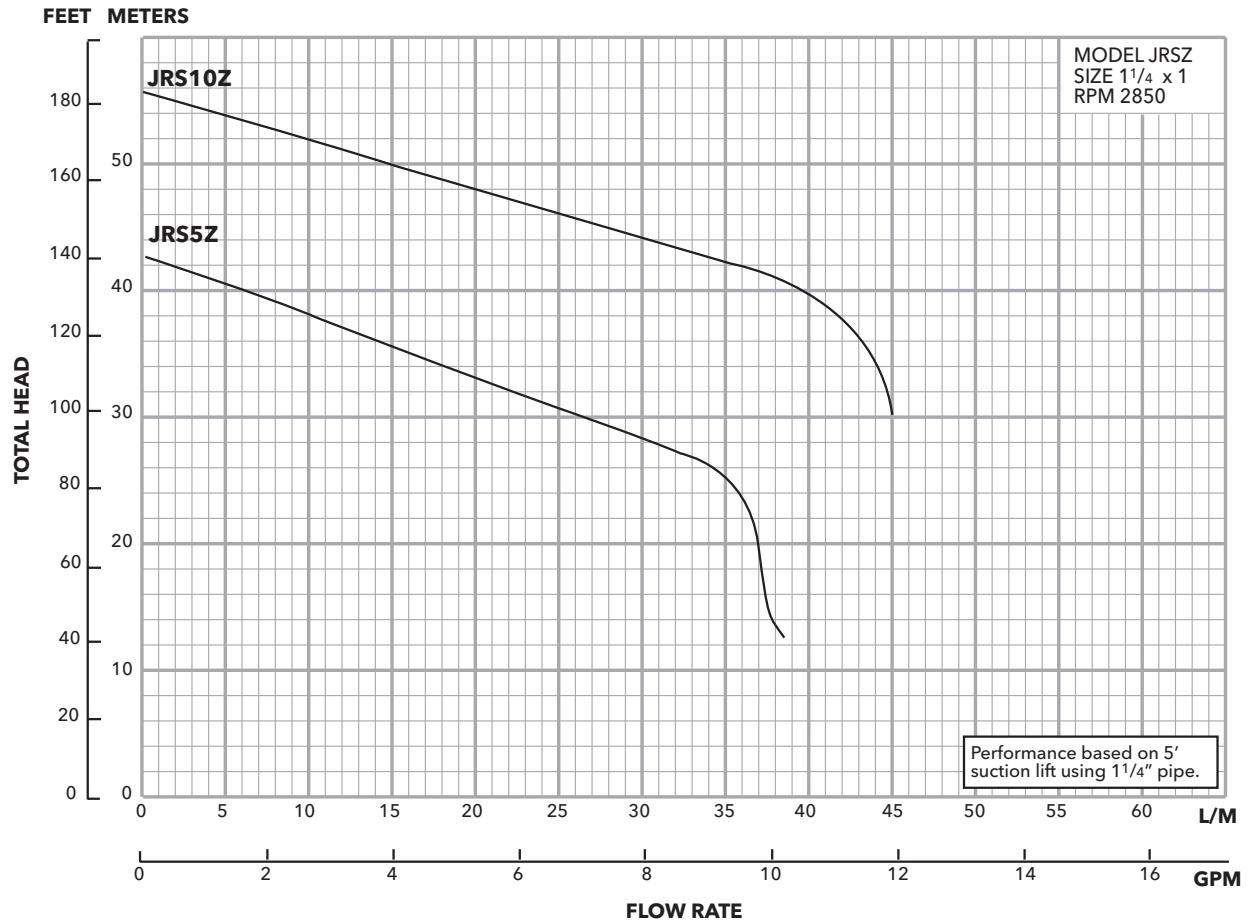
### AGENCY LISTINGS



Canadian Standards Association  
LR38549

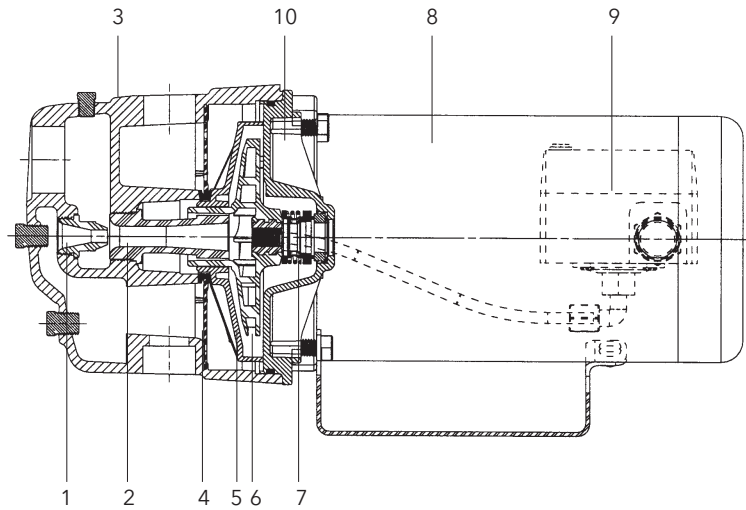
### PERFORMANCE RATINGS

HP/Order No.	½ HP - JRS5Z					1 HP - JRS10Z				
Nozzle	AN019					AN021				
Venturi	AD3328					AD3332				
Total Suction Lift (feet)	Discharge Pressure - PSI					Discharge Pressure - PSI				
	20	30	40	50	Max. Shut-off (PSI)	20	30	40	50	Max. Shut-off (PSI)
	Gallons per minute					Gallons per minute				
5	9.9	9.6	10.5	5.8	59	12.3	11.9	11.8	11.2	77
10	8.8	8.6	9.2	4.2	56	10.8	10.6	10.5	9.9	75
15	7.8	7.8	8.0	2.4	53	9.3	9.2	8.9	8.3	71
20	-	-	-	-	-	8.0	7.6	7.3	6.7	69
25	-	-	-	-	-	5.7	5.6	5.5	5.3	67



## COMPONENTS

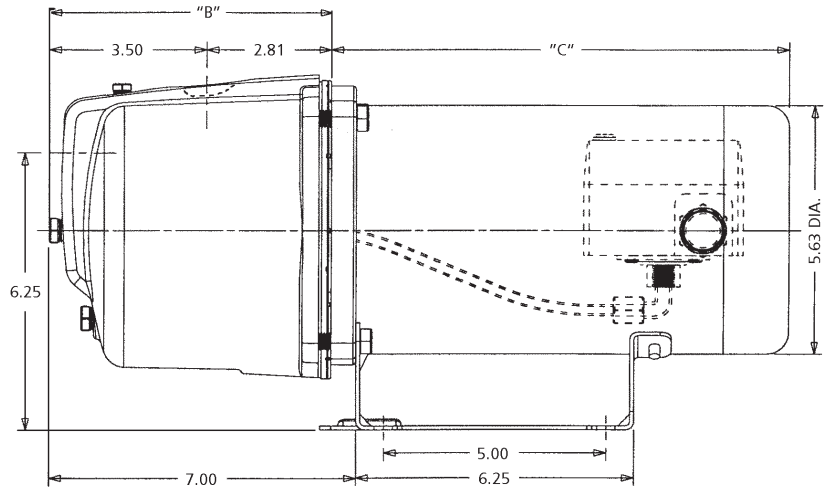
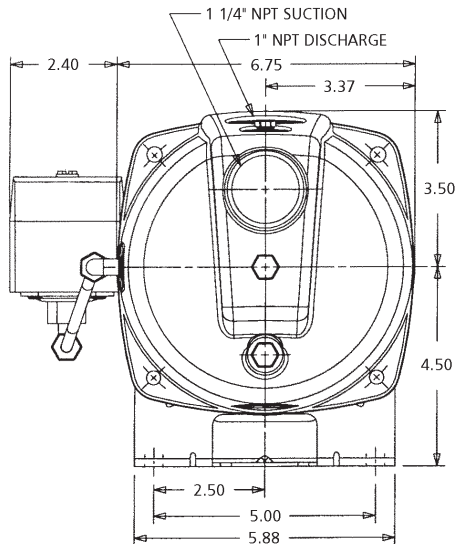
Item No.	Description
1	Nozzle
2	Venturi
3	Cast Iron Casing
4	Separator plate
5	Diffuser (Guidevane)
6	Impeller
7	Mechanical seal
8	Motor
9	Pressure switch
10	Seal housing



## DIMENSIONS AND WEIGHTS

Order No.	HP	(Inches)				Wt. (lbs.)
		"C" Max.	"B" Max.	Width	Height	
JRS5Z	1/2	10.81	6.31	9.15	8.0	37
JRS10Z	1	11.81				47

Do not use for construction purposes.



**xylem**  
Let's Solve Water

Xylem Inc.  
2881 East Bayard Street Ext., Suite A  
Seneca Falls, NY 13148  
Phone: (866) 325-4210  
Fax: (888) 322-5877  
[www.xylem.com/goulds](http://www.xylem.com/goulds)

Goulds is a registered trademark of Goulds Pumps, Inc. and is used under license.  
© 2020 Xylem Inc. BJRSZ R1 May 2020