



DRINKING WATER  
NSF/ANSI 61 & 372

# JRD JRD5, JRD7 AND JRD10

CONVERTIBLE JET PUMPS 1/2, 3/4 AND 1 HP - 60 HZ

### FEATURES

**Convertible:** May be used on shallow or deep well applications using appropriate Goulds Water Technology fittings.

**Serviceable:**

- Back pullout design allows disassembly of pump for service without disturbing piping.
- Corrosion resistant, engineered plastic tubing and fittings are easily removed for cleaning. Premium O-ring design, fittings need only be hand tight to seal.

**Impeller:** F.D.A. compliant, glass filled engineered composite. Corrosion and abrasion resistant.

**Diffuser (Guidevane):** F.D.A. compliant, injection molded, food grade, glass filled engineered composite for durability and abrasion resistance.

**Powered for Continuous Operation:** Pump ratings are within the motor manufacturer's recommended working limits. Can be operated continuously without damage.

**Corrosion Resistant:** Electro-coat paint is baked on.

**Excellent Air Handling Ability:** After initial priming the pump has the ability to re-prime itself even when air enters the system. Pumping resumes once the water level rises above the foot valve.

**Basic Pump Unit:** Includes pump and motor, pressure switch with tubing and fittings.

Water system tank required on all systems.

**NSF Listed:** The first NSF listed jet pumps in the industry. All jet pumps and shallow well components only, deep well components are not listed.

### APPLICATIONS

Specifically designed for:

- Homes • Farms • Cottages • Booster service

### SPECIFICATIONS

#### Pump:

- Pipe connections: 1" NPT discharge, 1¼" NPT suction, 1" NPT pressure
- Pressure switch: AS4 preset at 30-50 PSI

#### Motor:

- Standard NEMA service factors
- 60 Hz, 3500 RPM, single phase
- ½ - 1 HP 115/230 V capacitor start
- Built-in overload with automatic reset
- Stainless steel shaft
- Rotation: clockwise when viewed from motor end

**Maximum temperature:** 140°F

### ADDITIONAL COMPONENTS REQUIRED

- **Deep Well Package:** Choose either a twin pipe or packer style.
  - Twin pipe includes jet body, nozzle, venturi and foot valve.
  - Packer includes packer body, nozzle, venturi and built-in check valve.

**NOTE:** Packer systems also require an AWJ2 packer adapter on the wellhead.

- Deep well systems require a pressure control valve.

**NOTE:** You must have JDW or AV22KIT to make the pressure switch connection.

### AGENCY LISTINGS



Canadian Standards Association  
File #LR38549

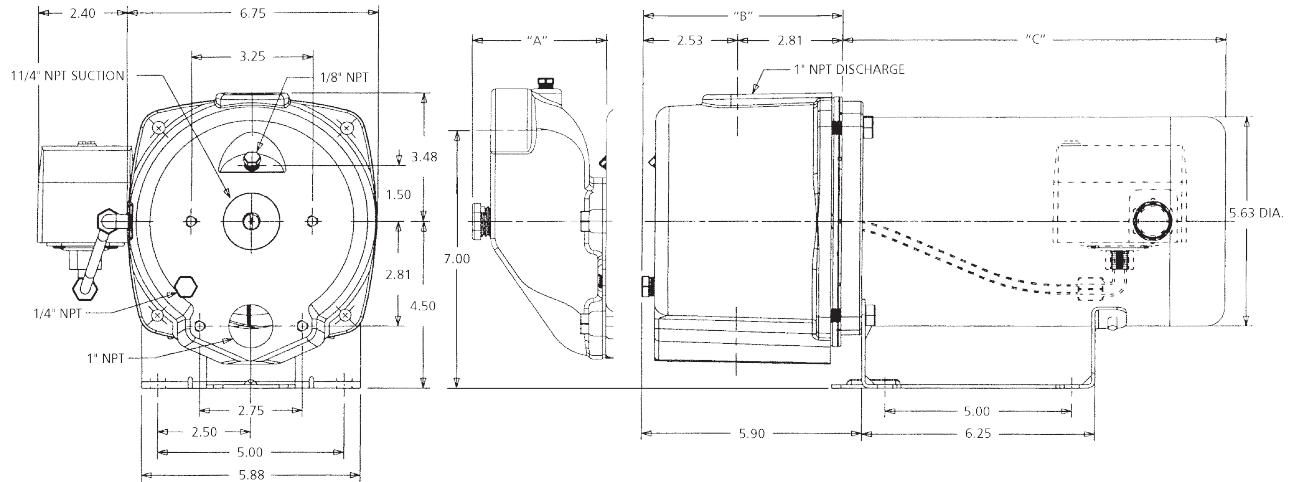


DRINKING WATER  
NSF/ANSI 61 & 372

### PERFORMANCE RATINGS - SHALLOW WELL

Require pump and shallow well package shown below.

HP/Order No.	½ HP - JRD5					¾ HP - JRD7					1 HP - JRD10				
<b>Shallow Well Package (includes the components below)</b>	<b>FH5JRD</b>					<b>FH7</b>					<b>FH10</b>				
<b>Adapter</b>	4K62					4K62					4K62				
<b>Nozzle</b>	AN018					AN018					AN018				
<b>Venturi</b>	AD3731					AD3536					AD3538				
<b>Total Suction Lift (feet)</b>	<b>Discharge Pressure - PSI</b>					<b>Discharge Pressure - PSI</b>					<b>Discharge Pressure - PSI</b>				
	<b>20</b>	<b>30</b>	<b>40</b>	<b>50</b>	<b>Max. Shut-off (PSI)</b>	<b>30</b>	<b>40</b>	<b>50</b>	<b>Max. Shut-off (PSI)</b>	<b>30</b>	<b>40</b>	<b>50</b>	<b>60</b>	<b>Max. Shut-off (PSI)</b>	
	<b>Gallons per minute</b>					<b>Gallons per minute</b>					<b>Gallons per minute</b>				
5	12.3	12.0	9.0	4.0	63	19.0	16.5	10.5	69	22.0	21.0	15.0	8.0	72	
10	11.0	10.8	7.6	3.0	62	16.0	14.5	9.0	67	18.5	18.0	12.5	6.5	70	
15	9.2	9.0	6.5	2.5	60	13.5	13.0	7.0	65	16.0	15.5	11.0	5.0	68	
20	7.6	7.5	5.5	1.5	57	12.0	11.5	5.5	63	13.3	13.0	9.0	3.0	65	
25	5.7	5.5	4.0	0.6	55	9.0	8.7	4.0	60	9.6	9.0	7.0	1.5	63	



### DIMENSIONS AND WEIGHTS - PUMP, MOTOR AND SHALLOW WELL ADAPTER

Order No.	HP	(Inches)			Height (Inches)		Wt. (lbs.)	
		Opt. SW Adapter "A"	"B"	"C" Max.	Width	Shallow Well		Deep Well
JRD5	1/2	3.31	5.34	10.81	9.15	8.41	8.0	37
JRD7	3/4			11.56				42
JRD10	1			11.81				47

Do not use for construction purposes.

### TWIN PIPE PERFORMANCE RATINGS

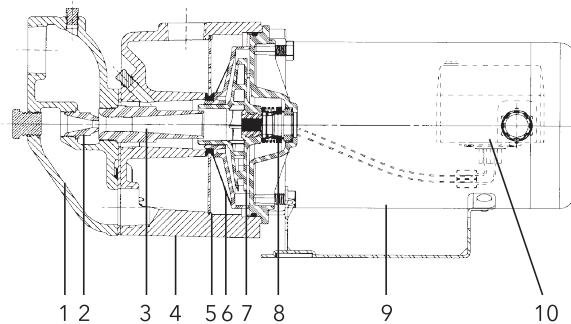
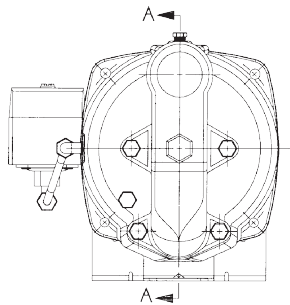
HP/Order No.	1/2 HP - JRD5				3/4 HP - JRD7				1 HP - JRD10							
<b>Well Casing Min. I.D. (in.)</b>	3	4	4 1/2		4	4 1/2			4	4 1/2						
<b>Pressure Suction</b>	<b>Pipe Size (in.)</b> 3/4	1	1 1/4		1	1 1/4			1	1 1/4						
	1	1 1/4	1 1/2		1 1/4	1 1/2			1 1/4	1 1/2						
<b>Jet Assembly Package</b>	FT3-09	FT4-13	FT4-31	FT4-08	FT5-14	FT4-14	FT4-34	FT4-18	FT5-47	FT5-48	FT4-44	FT4-43	FT4-18	FT5-49	FT5-11	
<b>Jet Body (Only)</b>	AT3	AT4		AT5	AT4		AT5	AT5		AT4		AT5				
<b>Nozzle</b>	AN015	AN017	AN016	AN015	AN018	AN017	AN016	AN018	AN017		AN016	AN019	AN018			
<b>Venturi</b>	AD722	AD726	AD723	AD720	AD724	AD729	AD725	AD722	AD730	AD725	AD730	AD727	AD722	AD732	AD727	
<b>Control Valve Setting (PSI)</b>	30									31	33	35	30	32		
<b>Feet</b>	<b>Gallons Per Minute (GPM) 30-50 PSI Pressure Switch Setting</b>															
<b>Depth to Jet Assembly (Based on Submergence of 5 Feet)</b>	30	6.4	11.7	10.0			13.3			14.3			14.5		16.3	
	40	5.7	10.7	8.0			13.2			14.2			14.3		16.3	
	50	4.3	9.3	6.8			11.3			13.0			12.3		15.3	
	60			6.2	4.7		8.8	8.0		11.5			9.8	9.5	13.0	
	70			5.0	4.2	5.0		7.0		9.8	8.3		8.0		10.8	
	80				3.3	4.3		5.7			7.3		6.3	5.3	8.7	8.8
	90				2.8	3.7		4.2	4.5		6.3			5.2		7.5
	100							3.7			5.3			4.7		6.2
	110							3.0			4.3			3.8		4.8
	120															3.8

② Jet Assembly Package includes: Jet Body, Venturi, Nozzle, Foot Valve.  
 Important: An offset of 50 feet will result in a decrease of about 25% from ratings as shown.

## PACKER SYSTEM PERFORMANCE RATINGS

HP/Order No.	½ HP - JRD5			¾ HP - JRD7		1 HP - JRD10		
Well Casing	2							
Suction Pipe Size (in.)	1¼							
① Jet Assembly Package	FP2-13	FP2-31	FP2-08	FP2-40	FP2-47	FP2-48	FP2-43	
Jet Body (Only)	AP2			AP2		AP2		
Nozzle	AN017	AN016	AN015	AN015		AN016		
Venturi	AD726	AD723	AD720	AD727	AD723	AD729	AD725	
Control Valve Setting (PSI)	30			30	32	35	36	
	<b>Feet</b>	<b>Gallons Per Minute (GPM) 30-50 PSI Pressure Switch Setting</b>						
Depth to Jet Assembly (Based on Submergence of 5 Feet)	30	10.7	8.5		11.8		14.2	
	40	9.5	7.3		11.5		12.5	
	50	8.3	6.7		9.8		11.5	
	60		5.8	4.3	7.7	6.7	9.3	7.8
	70			3.8		6.0		7.7
	80			3.2		4.3		6.3
	90					3.7		4.8
	100							3.7
	110							
	120							

① Jet Assembly Package includes: Jet Body, Venturi, Nozzle, Built-in Check Valve, Leather Crimps, Spacer and Fitting.  
Important: An offset of 50 feet will result in a decrease of about 25% from ratings as shown.



## COMPONENTS

Item No.	Description
1	Shallow well adapter
2	Nozzle
3	Venturi
4	Cast iron casing
5	Separator plate
6	Diffuser (Guidevane)
7	Impeller
8	Mechanical seal
9	Motor
10	Pressure switch

**xylem**  
Let's Solve Water

Xylem Inc.  
2881 East Bayard Street Ext., Suite A  
Seneca Falls, NY 13148  
Phone: (866) 325-4210  
Fax: (888) 322-5877  
www.xylem.com/goulds

Goulds is a registered trademark of Goulds Pumps, Inc. and is used under license.  
© 2021 Xylem Inc. BJRD R2 March 2021