

Model ICS/ICS-F

INSTALLATION, OPERATION AND MAINTENANCE INSTRUCTIONS



TABLE OF CONTENTS

SUBJECT	PAGE
Safety Instructions.....	3
Description and Specifications	3
Installation - General	3
Close Coupled Units	3
Frame Mounted Units.....	3
Piping - General.....	4
Piping - Suction.....	4
Piping - Discharge	4
Wiring and Grounding.....	4
Motor to Pump - Shaft Alignment.....	5
Operation.....	5
Maintenance.....	5
Disassembly.....	5
Reassembly.....	6
Troubleshooting Guide.....	6
Sectional Assembly.....	7
Parts List and Materials of Construction.....	7
Engineering Data.....	8
Goulds Water Technology Limited Warranty	10

OWNER'S INFORMATION

Model Number: _____

Serial Number: _____

Dealer: _____

Date of Purchase: _____ Date of Delivery: _____

SAFETY INSTRUCTIONS

TO AVOID SERIOUS OR FATAL PERSONAL INJURY OR MAJOR PROPERTY DAMAGE, READ AND FOLLOW ALL SAFETY INSTRUCTIONS IN THE MANUAL AND ON THE PUMP.



This is a **SAFETY ALERT SYMBOL**. When you see this symbol on the pump or in the manual, look for one of the following signal words and be alert to the potential for personal injury or property damage.



Warns of hazards that **WILL** cause serious personal injury, death or major property damage.



Warns of hazards that **CAN** cause serious personal injury, death or major property damage.



Warns of hazards that **CAN** cause personal injury or property damage.

NOTICE: INDICATES SPECIAL INSTRUCTIONS WHICH ARE VERY IMPORTANT AND MUST BE FOLLOWED.

THIS MANUAL IS INTENDED TO ASSIST IN THE INSTALLATION AND OPERATION OF THIS UNIT. THOROUGHLY REVIEW ALL INSTRUCTIONS AND WARNINGS PRIOR TO PERFORMING ANY WORK ON THIS PUMP.

MAINTAIN ALL SAFETY DECALS.



Hazardous voltage can shock, burn or cause death.



Install, ground and wire according to local and National Electrical Code Requirements.



Install an all leg disconnect switch near the pump.



Disconnect and lockout electrical power before installing or servicing the pump.



Electrical supply must match motor's nameplate specifications. Incorrect voltage can cause fire, damage motor and void the warranty.



Single phase pump motors are equipped with an automatic thermal protector, which opens the motor's electrical circuit when an overload condition exists. This can cause the pump to start unexpectedly.

DESCRIPTION and SPECIFICATIONS

The Models ICS, close coupled, and ICS-F, frame mounted, are single stage, end suction pumps designed for ultra pure water systems, beverage processing, chemical service and selected OEM applications.

The pumps are of back pullout configuration, with NPT suction and discharge connections and have investment cast AISI Type 316 stainless steel casings, open impellers and seal housing. All pumps are equipped with O-ring shaft sleeve protection and are available with a variety of optional mechanical seals.

Close coupled units are equipped with C-face NEMA motors with threaded shaft extensions. Frame mounted units can be baseplate mounted and are available with spacer couplings or may be belt driven.

Close coupled units are available with single and three phase ODP, TEFC and explosion proof motors. Consult with your distributor/dealer for additional information.

NOTICE: INSPECT UNIT FOR DAMAGE AND REPORT ALL DAMAGE TO CARRIER IMMEDIATELY.

MAXIMUM OPERATING LIMITS

Liquid Temperature:

212° F (100° C) - standard mechanical seal

250° F (120° C) - OPTIONAL mechanical seal

Operating Pressure: 175 PSI (1203 kPa)

Starts per Hour: 20, evenly distributed

INSTALLATION - GENERAL



THE INSTALLATION OF THE PUMP SHALL INCLUDE ADEQUATE

DRAINAGE OR LOCATED SUCH THAT OTHER EQUIPMENT OR PROPERTY WOULD NOT BE DAMAGED IN THE EVENT OF ANY LEAKAGE. THE PUMP SHOULD NOT BE INSTALLED ABOVE EQUIPMENT OR PROPERTY UNLESS ADEQUATE DRAINAGE IS PROVIDED. FAILURE TO COMPLY WITH THIS WARNING COULD RESULT IN PROPERTY DAMAGE.



OVERTIGHTENING OF THE CASING FASTENERS COULD DAMAGE THE FASTENER, RESULTING IN LEAKAGE AND PROPERTY DAMAGE.

- Locate the pump as near to the liquid source as possible.
- If pump repriming capability is required, the pump suction **MUST** be below the source of the liquid level.
- Protect the pump and piping from freezing temperatures.
- Allow adequate space around the unit for service and ventilation.

CLOSE-COUPLED UNITS

- Units may be installed horizontally, inclined or vertically.



DO NOT MOUNT MOTOR BELOW PUMP. FLUID LEAKAGE ONTO MOTOR CAN CAUSE A SHOCK, BURN OR DEATH.

Hazardous voltage

- Unit foundation must be flat and substantial to avoid pipe strains when bolts are tightened. Use rubber mounts under motor to minimize noise and vibration.
- Tighten motor holddown bolts **BEFORE** connecting the suction and discharge piping.

FRAME-MOUNTED UNITS

- Place the baseplate upon the foundation and disconnect the coupling halves. **DO NOT** reconnect the coupling until the alignment procedures have been completed.
- It is recommended that the baseplate be grouted to a foundation with a solid footing, per Figure 1.

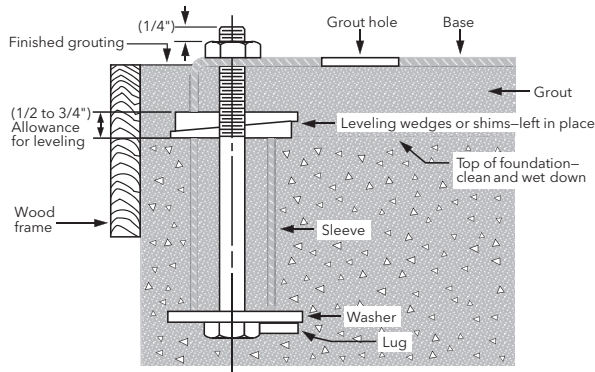


Figure 1

- As depicted in Figure 1, place the baseplate on wedges, locating two wedges at each foundation bolt location. A gap of $\frac{3}{4}$ " to $1\frac{1}{2}$ " (19 mm to 64 mm) is recommended between the baseplate and the foundation for grouting. Adjust the wedges as necessary to level the baseplate.
- Inspect baseplate for any distortion, and adjust as necessary. Make sure that any necessary final coupling alignments are possible within the motor movements and shim limits. Tighten the 4 foundation bolts finger tight.
- Build a dam around foundation and pour grout under the baseplate, insuring that the areas under the pump and motor are filled completely.
- Allow grout to harden for 48 hours before tightening 4 foundation bolts.

PIPING - GENERAL

- For maximum pump capacity, piping should not be smaller than the pump suction and discharge.
- To minimize pipe friction losses, avoid unnecessary pipe and fittings.
- All piping **MUST** be independently supported and **MUST NOT** place any piping loads on pump.

NOTICE: DO NOT FORCE PIPING INTO PLACE AT PUMP SUCTION AND DISCHARGE CONNECTIONS.

PIPING - SUCTION

- Short and direct suction piping is recommended. For suction lifts of over 10' (3 m) and liquid temperatures over 120° F (49° C), consult pump performance curve for net positive head required (NPSH_R).
- If a pipe size larger than the pump suction is required, an eccentric pipe reducer, with the straight side up, **MUST** be installed at the pump suction.
- If the pump is installed below the liquid source, install a full flow isolation valve in the suction for pump inspection and maintenance.

NOTICE: DO NOT USE THE ISOLATION VALVE TO THROTTLE PUMP. THIS MAY CAUSE LOSS OF PRIME, EXCESSIVE TEMPERATURES AND DAMAGE TO PUMP, VOIDING WARRANTY.

- If pump must be installed above the liquid source, the following **MUST** be provided:
 - To avoid air pockets, no part of the piping should be above the pump suction connection.
 - Slope the piping upward from liquid source.
 - All pipe joints **MUST** be airtight.
 - Use a foot valve **ONLY** if necessary for priming or to hold prime during intermittent duty.
- The suction strainer or suction bell **MUST** be at least 3 times the suction pipe diameter area.
- Insure that the size and minimum submergence over suction inlet is sufficient to prevent air from entering pump through a suction vortex. See Figures 2 through 5.

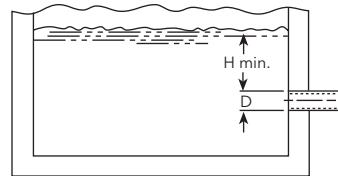


Figure 2

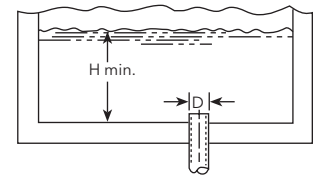


Figure 3

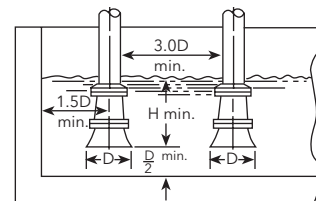


Figure 4

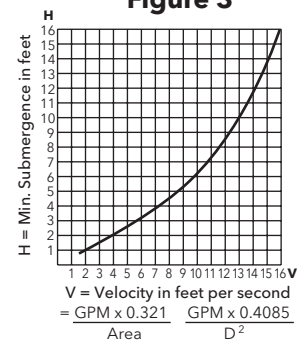


Figure 5

PIPING - DISCHARGE

- Install a check valve, suitable to handle the flow and liquids, to prevent backflow. After the check valve install an appropriately sized gate valve to be used to regulate the pump capacity, pump inspection and maintenance.
- When required, the pipe increaser should be installed between the check valve and the pump discharge.

WIRING AND GROUNDING



DISCONNECT AND LOCKOUT THE ELECTRICAL POWER BEFORE ATTEMPTING ANY MAINTENANCE. FAILURE TO DO SO CAN CAUSE A SHOCK, BURN OR DEATH.

- All wiring and grounding connections must be in accordance with Local and National Electrical Code requirements.
- Use only stranded copper wire to the motor and ground. Wire size **MUST** limit the maximum voltage drop to 10% of the motor nameplate voltage, at the motor terminals. Excessive voltage drop may affect performance and will void the motor warranty.
- Single phase motors supplied by Goulds, have built in thermal overloads. Other motors not so equipped **MUST** use a properly sized contactor and overload. Fuses are permissible.
- Three phase motors require all leg protection with properly sized magnetic starters and thermal overloads.

NOTICE: UNIT ROTATION IS CLOCKWISE WHEN VIEWED FROM MOTOR END. INCORRECT ROTATION MAY CAUSE DAMAGE TO THE PUMP AND VOIDS WARRANTY.

- Three Phase Motors **ONLY:**
To check the pump rotation, observe pump while switching the electrical power **ON** then **OFF** quickly. If incorrect, have a qualified electrician interchange two of the three motor power wires.

MOTOR TO PUMP - SHAFT ALIGNMENT

- After completion of the frame mounted unit baseplate installation, the motor and pump shaft alignment **MUST** be checked, see Figure 6, and the coupling spacer must be reinstalled.
- Before checking shaft alignment, insure that the foundation, pump and motor holddown bolts are properly tightened.
- If realignment is required, **ALWAYS** make the required adjustments to the motor, shimming as necessary.

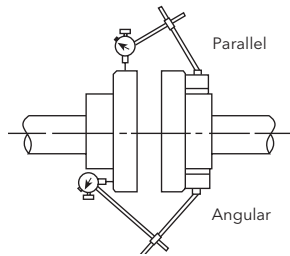


Figure 6

- To check for **PARALLEL** misalignment, place a dial indicator on one coupling hub, rotate the hub 360° while observing the indicator readings from the outside diameter of the other hub. Parallel alignment requires a Total Indicator Reading (TIR) of 0.005" (0.13 mm), or less.
- To check for **ANGULAR** misalignment, place a dial indicator on one coupling hub, rotate the hub 360° while observing the indicator readings from the face of the other hub. Angular alignment requires 0.005" (0.13 mm) TIR, or less.
- Correct alignment is achieved when parallel and angular TIR requirements are satisfied and motor holddown bolts are tight.

NOTICE: RECHECK SHAFT ALIGNMENT AFTER MAKING ANY ADJUSTMENTS.

OPERATION



DO NOT OPERATE UNIT WITHOUT SAFETY GUARD IN PLACE. TO DO SO CAN CAUSE SEVERE PERSONAL INJURY OR DEATH.

NOTICE: PUMP MUST BE COMPLETELY PRIMED BEFORE OPERATION.



DO NOT OPERATE PUMP AT OR NEAR ZERO FLOW. TO DO SO CAN CAUSE EXTREME HEAT, DAMAGE TO THE PUMP, PERSONAL INJURY OR PROPERTY DAMAGE.

- After stabilizing the system at normal operating conditions, check the piping and coupling for correct alignments. If necessary, adjust pipe supports and realign the shafts following the procedures provided.

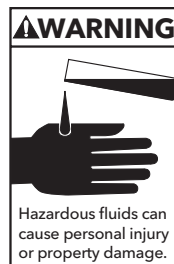
MAINTENANCE

- Close coupled pump motors and frame mounted pump frames have permanently lubricated bearings. Additional lubrication is not necessary or possible.
- Follow the coupling and motor manufacturer's recommendations regarding maintenance.

DISASSEMBLY



DISCONNECT AND LOCKOUT ELECTRICAL POWER BEFORE ATTEMPTING ANY MAINTENANCE. FAILURE TO DO SO CAN CAUSE A SHOCK, BURN OR DEATH.



CASING MAY CONTAIN HAZARDOUS FLUIDS THAT CAN CAUSE SERIOUS PERSONAL INJURY OR PROPERTY DAMAGE.

- Drain and flush system, as required.
- For close coupled or frame mounted units:
 - Remove the motor or bearing frame holddown bolts
 - Remove the coupling guard and coupling spacer
- Remove the 4 casing screws (370), then utilizing the slots provided about the casing (100), pry the back pull-out assembly from casing. Carefully remove the casing shims.

NOTICE: IMPELLER COMPRESSES THE MECHANICAL SEAL SPRING - BE PREPARED FOR THE IMPELLER TO SPRING FROM THE SHAFT WHEN UNSCREWED.

- To remove the impeller it is necessary to heat the center hub area with a hand propane torch for approximately 30 seconds. Unscrew the impeller (101) from the shaft, turn the impeller **COUNTERCLOCKWISE** while holding the shaft. Motors have a screwdriver slot or hex provided under the motor end cap. Examine the impeller for wear or damage and replace as necessary. Discard the shaft sleeve O-ring (412A).

NOTICE: EXERCISE CARE HANDLING HOT IMPELLER.

- To remove the mechanical seal, remove the 4 seal housing screws (370H) and slide the seal housing assembly off the shaft. Discard the rotary half of the seal and the seal housing O-ring (513). With an appropriately sized

screwdriver handle, push the stationary half of the seal from the seal housing and discard it.

- To remove the shaft sleeve (126) it is necessary to evenly heat the outside of the sleeve, with a hand propane torch, while prying between the shaft shoulder and the sleeve.

NOTICE: EXERCISE CARE HANDLING THE HOT SHAFT SLEEVE.

- Removal of the 4 motor adapter screws (371) and motor adapter (108) from the motor completes the close coupled unit disassembly.
- Disassembly of the bearing frame assembly is accomplished by removing the 4 frame adapter screws (371) and removing the frame adapter (108) from the bearing frame (228).
- Remove the 4 bearing cover (370C) screws, being careful not to damage the lip seal (139). Inspect lip seal for damage and replace as required.
- Remove the shaft assembly from the bearing frame, by pulling the motor end of shaft out of the housing.
- Being careful not to damage the shaft, remove the snapping (361) and outer bearings (112) from the shaft. If required remove the inner bearing (168). Inspect the bearings for wear or damage and replace as necessary.
- Inspect the inner lip seal (138) and replace as required.
- Disassembly is complete.

REASSEMBLY

- Reassemble the bearing frame assembly in reverse order of disassembly. Use appropriate tools for bearing installation and press **ONLY** on inner bearing race. Press bearings squarely and completely onto the shaft.
- If the shaft sleeve was replaced, it is required that the new sleeve be bonded to the shaft using Loctite™ #243 or equivalent. Following the manufacturer's instructions in the preparation of the sleeve and shaft, apply bonding agent to the surfaces then slide the sleeve over the shaft. Remove all excess bonding agent.
- Install the shaft assembly into bearing frame. **DO NOT** damage the inner lip seal.
- Insert and tighten the 4 bearing cover screws.
- Install the bearing adapter, nameplate towards the **TOP**, using the 4 screws.
- Inspect and remove any debris from the seal housing stationary seat bore. Lubricate the outside diameter of the new stationary seat with a good quality O-ring lubricant and press seat squarely and completely into the seal housing. With a clean, lint free cloth remove any debris or lubricant from the seat face. **DO NOT** scratch the face.
- Install a new seal housing O-ring on housing, then carefully slide seal housing over shaft and attach housing to the motor adapter with the 4 screws. **DO NOT** damage the mechanical seal stationary seat.
- Install the new shaft sleeve O-ring.
- Slide the new mechanical seal rotary assembly over shaft sleeve. Apply Loctite™ 7649 and allow to dry. Apply Loctite™ #243 to the motor shaft thread and then screw on the impeller by turning impeller **CLOCKWISE**. Torque the impeller to 12 ft lbs (1.7 kg/m).

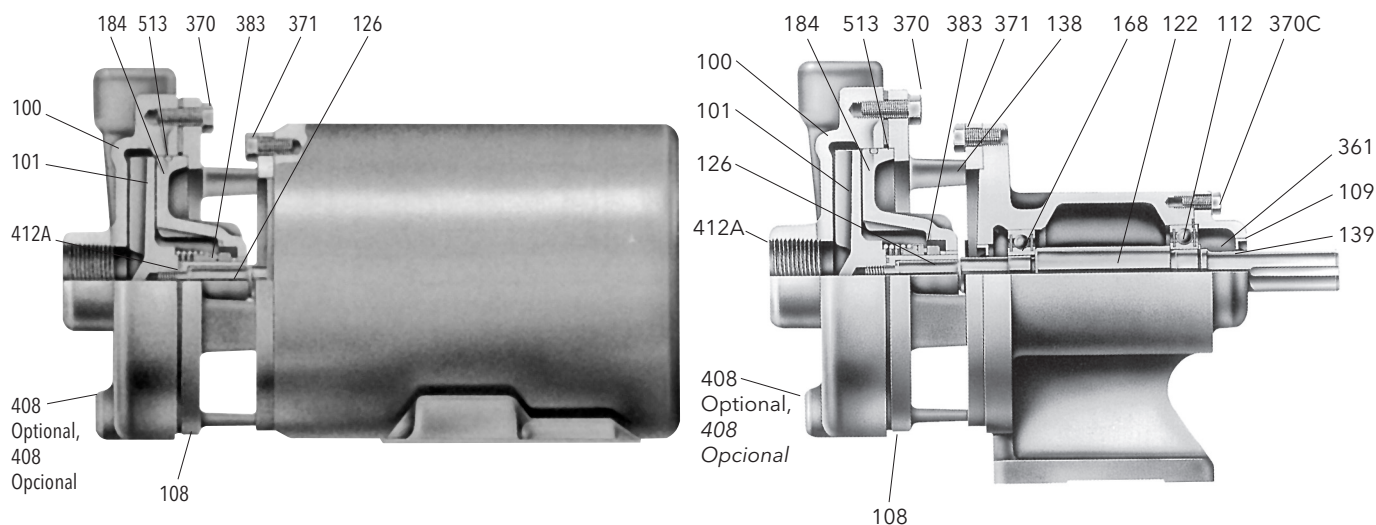
- Shim pack (330) permits renewal of impeller clearance to compensate for impeller or casing wear. The shim thicknesses, in the shim pack, range from 0.003" to 0.025" (0.08 mm to 0.64 mm). The factory shim pack thickness is approximately 0.060" (1.52 mm). To set the suggested nominal impeller clearance of 0.020" (0.51 mm) proceed as follows:
 - Establish a shim pack thickness that allows for the impeller to just touch the inside of the casing surface, when pump is assembled.
 - Add an additional 0.020" (0.51 mm) thickness of shims.
- When the proper impeller clearance has been achieved, install and tighten the 4 casing screws.
- Install the 4 bearing frame holddown bolts for the frame mounted units or the 4 motor holddown bolts for the close coupled units.
- On frame mounted units, check the coupling alignment as specified in the **"MOTOR TO PUMP - SHAFT ALIGNMENT"** section of this manual.
- Inspect unit rotation for binding and correct as required.
- Reinstall the safety guard.
- Reassembly is complete.

TROUBLESHOOTING GUIDE

⚠WARNING	DISCONNECT AND LOCKOUT ELECTRICAL POWER BEFORE ATTEMPTING ANY MAINTENANCE. FAILURE TO DO SO CAN CAUSE A SHOCK, BURN OR DEATH.

- SYMPTOM**
- MOTOR NOT RUNNING
See Probable Cause - 1 through 5
- LITTLE OR NO LIQUID DELIVERED BY PUMP
See Probable Cause - 6 through 13
- POWER CONSUMPTION TOO HIGH
See Probable Cause - 3, 13, 14, 15, 18
- EXCESSIVE NOISE and VIBRATION
See Probable Cause - 3, 6, 7, 8, 10, 12, 14, 16, 17, 18
- PROBABLE CAUSE**
1. Motor thermal protector tripped
 2. Open circuit breaker or blown fuse
 3. Impeller binding
 4. Motor improperly wired
 5. Defective motor
 6. Pump is not primed, air or gases in pumpage
 7. Discharge, suction plugged or valve closed
 8. Incorrect rotation (3 phase only)
 9. Low voltage or phase loss
 10. Impeller worn or plugged
 11. System head too high
 12. NPSH_A too low - Suction lift or suction losses excessive
 13. Incorrect impeller diameter
 14. Discharge head too low - excessive flow rate
 15. Fluid viscosity, specific gravity too high
 16. Worn bearing
 17. Pump, motor or piping loose
 18. Pump and motor shafts misaligned

ICS & ICS-F SECTIONAL ASSEMBLIES



PARTS LIST AND MATERIALS OF CONSTRUCTION

LIQUID END COMPONENTS

Item No.	Number/Pump	Part Name	Material
100	1	Casing - 1 x 1¼ - 5	ASTM A744 Grade CF-8M
	1	Casing - 1¼ x 1½ - 5	ASTM A744 Grade CF-8M
101	1	Impeller	ASTM A744 Grade CF-8M
126	1	Shaft Sleeve	ASTM A276 Type 316 SS
184	1	Seal Housing	ASTM A744 Grade CF-8M
330*	1	Shim Pack	Mylar
370	4	Hex Cap Screws - adapter to casing	ASTM A276 Type 304 SS
370H*	4	Hex Cap Screws - adapter to seal housing	ASTM A276 Type 304 SS
383	1	Mechanical Seal (standard)	Carbon/Sil Car/Viton
		Mechanical Seal (optional)	Carbon/Sil Car/EPR
412A	1	O-ring - Shaft Sleeve	Viton
513	1	O-ring - Seal Housing	Viton

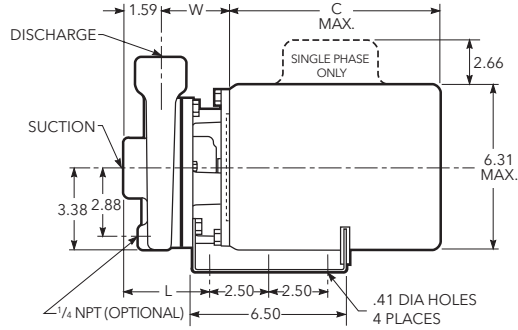
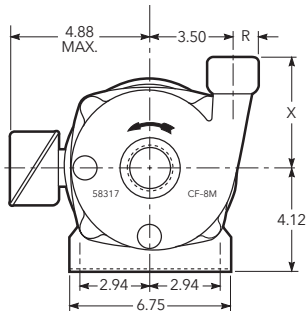
* Not illustrated

POWER END COMPONENTS

Item No.	Number/Pump	Part Name	Material
108	1	Motor and Bearing Frame Adapter	ASTM A48 Cast Iron
109	1	Bearing Cover	ASTM A48 Cast Iron
112	1	Ball Bearing - outboard	ASTM A108 Steel
122	1	Pump Shaft	ASTM A276 Type 303 SS
168	1	Ball Bearing - inboard	ASTM A108 Steel
361	1	Snap Ring - outboard bearing	ASTM A108 Steel
228	1	Bearing Frame	ASTM A48 Cast Iron
138	1	Lip Seal - inner	BUNA-N and ASTM A108 Steel
139	1	Lip Seal - outer	BUNA-N and ASTM A108 Steel
370C	4	Hex Cap Screws - bearing cover to bearing frame	ASTM A108 Steel
371	4	Hex Cap Screws - adapter to motor/bearing frame	ASTM A276 Type 304 SS

ICS - ENGINEERING DATA

1/2 HP - 2 HP



Dimensions and Weights - Determined by Pump

Pump	Suction NPT	Discharge NPT	L	R	W	X	*Wt. Max.
1 x 1 1/4-5	1 1/4	1	3.75	.94	3.01	4.62	17
1 1/4 x 1 1/2-5	1 1/2	1 1/4	3.62	1.06	2.88	4.56	17

NOTES:

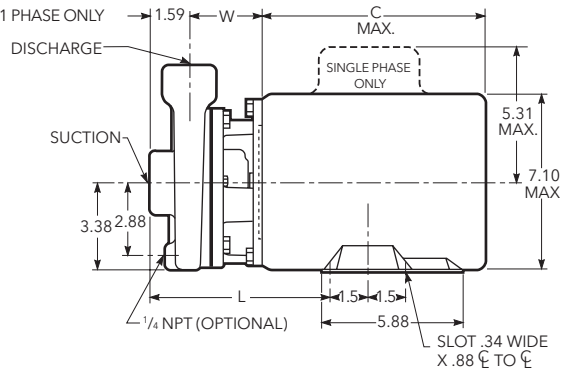
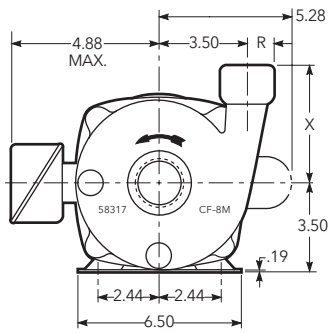
1. Pumps will be shipped with top vertical discharge as standard, for other orientations, remove casing bolts, rotate to desired position, and tighten 3/8" bolts to 24 lbs.-ft.
2. Dimensions in inches, weight in pounds.
3. Not to be used for construction purposes unless certified.
4. Motor dimensions may vary with motor manufacturers.

* Weight is liquid end only. For complete pump, add weight of applicable motor.

Available Motor Weights and Dimensions

HP	Motor Weights						C Max. Length
	Single Phase			Three Phase			
	ODP	TEFC	EXP	ODP	TEFC	EXP	
1/2	16	21	47	19	18	27	9 15/16
3/4	19	24	41	21	21	30	10 1/4
1	22	26	49	23	21	30	11
1 1/2	28	35	56	27	27	37	11 5/16
2	33	39	60	32	33	44	12 1/16

3 HP Only



Dimensions and Weights - Determined by Pump

Pump	Suction NPT	Discharge NPT	L	R	W	X	*Wt. Max.
1 x 1 1/4-5	1 1/4	1	7.35	.94	3.01	4.62	17
1 1/4 x 1 1/2-5	1 1/2	1 1/4	7.22	1.06	2.88	4.56	17

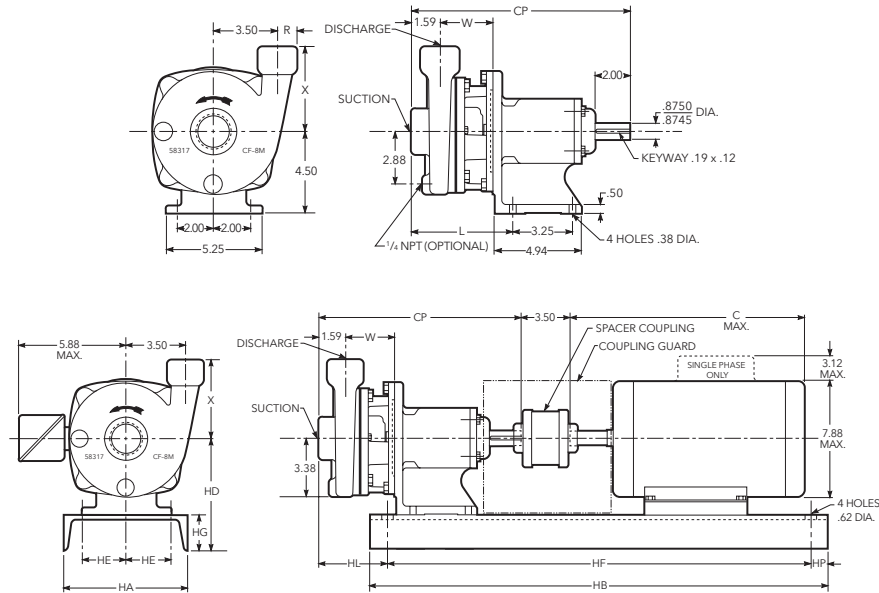
Available Motor Dimensions and Weights

HP	Motor Weights					C Max. Length
	Single Phase		Three Phase			
	ODP	TEFC	ODP	TEFC	X-Proof	
3	40	45	42	37	-	13.34

Dimensions in inches, weight in pounds.

ICS-F - ENGINEERING DATA

Pump Dimensions and Weights



Dimensions and Weights - Determined by Pump

Pump	Suction NPT	Discharge NPT	CP	L	R	W	X	Wt. Max.	HL (Motor Frame)		
									56	140	180
1 x 1 1/4-5	1 1/4	1	12.16	5.73	.94	3.01	4.62	38	5.73		3.85
1 1/4 x 1 1/2-5	1 1/2	1 1/4	12.03	5.60	1.06	2.88	4.56	38	5.60		3.72

NOTES:

1. Pumps will be shipped with top vertical discharge as standard, for other orientations, remove casing bolts, rotate to desired position, and tighten 3/8" bolts to 24 lbs.-ft.

2. Dimensions in inches, weight in pounds.
3. Not to be used for construction purposes unless certified.
4. Motor dimensions may vary with motor manufacturers.

Available Motor and Bedplate Dimensions and Weights

Motor Frame	HA	HB	HD	HE	HF	HG	HP	Wt. Max.	Shims	Horsepower - 3500 RPM				Wt. Max.	C Max.
										Single Phase		Three Phase			
										ODP	TEFC	ODP	TEFC		
56	8	26	6.87	3.12	22.38	2.38	1.00	30	1.00	1/2 - 1 1/2	1/2 - 1 1/2	1/2 - 1	1/2 - 1	45	13
143T										-	-	1 1/2	1 1/2	45	13.38
145T										2	2	2-3	2	52	14.25
182T	10	26	7.25	3.75	24	2.75	.88	43	-	3	3	5	3	63	16.62
184T										5	5	-	5	112	18.12

Dimensions in inches, weight in pounds.

COMMERCIAL WARRANTY

For goods sold to commercial buyers, Seller warrants the goods sold to Buyer hereunder (with the exception of membranes, seals, gaskets, elastomer materials, coatings and other "wear parts" or consumables all of which are not warranted except as otherwise provided in the quotation or sales form) will be (i) be built in accordance with the specifications referred to in the quotation or sales form, if such specifications are expressly made a part of this Agreement, and (ii) free from defects in material and workmanship for a period of one (1) year from the date of installation or twelve (12) months from the date of shipment (which date of shipment shall not be greater than eighteen (18) months after receipt of notice that the goods are ready to ship), whichever shall occur first, unless a longer period is specified in the product documentation (the "Warranty").

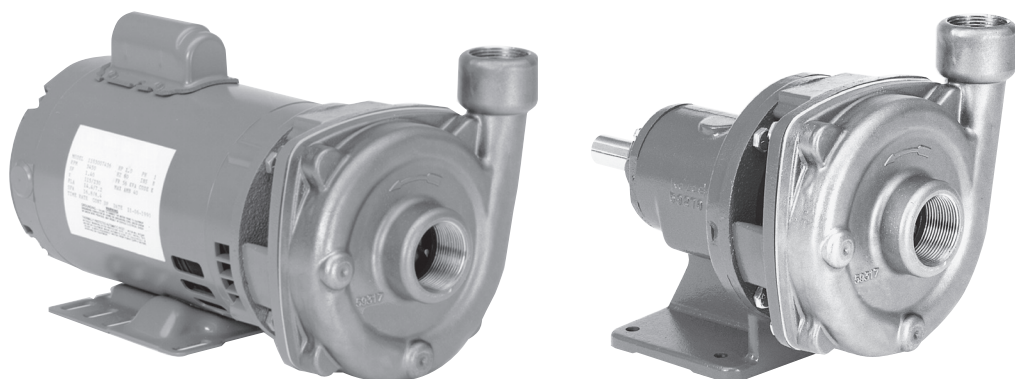
Except as otherwise required by law, Seller shall, at its option and at no cost to Buyer, either repair or replace any product which fails to conform with the Warranty provided Buyer gives written notice to Seller of any defects in material or workmanship within ten (10) days of the date when any defects or non-conformance are first manifest. Under either repair or replacement option, Seller shall not be obligated to remove or pay for the removal of the defective product or install or pay for the installation of the replaced or repaired product and Buyer shall be responsible for all other costs, including, but not limited to, service costs, shipping fees and expenses. Seller shall have sole discretion as to the method or means of repair or replacement. Buyer's failure to comply with Seller's repair or replacement directions shall terminate Seller's obligations under this Warranty and render the Warranty void. Any parts repaired or replaced under the Warranty are warranted only for the balance of the warranty period on the parts that were repaired or replaced. Seller shall have no warranty obligations to Buyer with respect to any product or parts of a product that have been: (a) repaired by third parties other than Seller or without Seller's written approval; (b) subject to misuse, misapplication, neglect, alteration, accident, or physical damage; (c) used in a manner contrary to Seller's instructions for installation, operation and maintenance; (d) damaged from ordinary wear and tear, corrosion, or chemical attack; (e) damaged due to abnormal conditions, vibration, failure to properly prime, or operation without flow; (f) damaged due to a defective power supply or improper electrical protection; or (g) damaged resulting from the use of accessory equipment not sold or approved by Seller. In any case of products not manufactured by Seller, there is no warranty from Seller; however, Seller will extend to Buyer any warranty received from Seller's supplier of such products.

THE FOREGOING WARRANTY IS EXCLUSIVE AND IN LIEU OF ANY AND ALL OTHER EXPRESS OR IMPLIED WARRANTIES, GUARANTEES, CONDITIONS OR TERMS OF WHATEVER NATURE RELATING TO THE GOODS PROVIDED HEREUNDER, INCLUDING WITHOUT LIMITATION ANY IMPLIED WARRANTIES OF MERCHANTABILITY AND FITNESS FOR A PARTICULAR PURPOSE, WHICH ARE HEREBY EXPRESSLY DISCLAIMED AND EXCLUDED. EXCEPT AS OTHERWISE REQUIRED BY LAW, BUYER'S EXCLUSIVE REMEDY AND SELLER'S AGGREGATE LIABILITY FOR BREACH OF ANY OF THE FOREGOING WARRANTIES ARE LIMITED TO REPAIRING OR REPLACING THE PRODUCT AND SHALL IN ALL CASES BE LIMITED TO THE AMOUNT PAID BY THE BUYER FOR THE DEFECTIVE PRODUCT. IN NO EVENT SHALL SELLER BE LIABLE FOR ANY OTHER FORM OF DAMAGES, WHETHER DIRECT, INDIRECT, LIQUIDATED, INCIDENTAL, CONSEQUENTIAL, PUNITIVE, EXEMPLARY OR SPECIAL DAMAGES, INCLUDING BUT NOT LIMITED TO LOSS OF PROFIT, LOSS OF ANTICIPATED SAVINGS OR REVENUE, LOSS OF INCOME, LOSS OF BUSINESS, LOSS OF PRODUCTION, LOSS OF OPPORTUNITY OR LOSS OF REPUTATION.



Xylem Inc.
2881 East Bayard Street Ext., Suite A,
Seneca Falls, NY 13148
Phone: (800) 453-6777 Fax: (888) 322-5877
www.xylem.com/goulds

Xylem is a trademark of Xylem Inc.
Goulds is a registered trademark of Goulds Pumps, Inc. and is used under license.
© 2022 Xylem Inc. IM011 Revision Number 7 May 2022



Modelo ICS/ICS-F

INSTRUCCIONES DE INSTALACIÓN, FUNCIONAMIENTO Y MANTENIMIENTO



ÍNDICE

TEMA	PÁGINA
Instrucciones de seguridad	13
Descripción y especificaciones.....	13
Instalación - generalidades	13
Unidades de acoplamiento cerrado	13
Unidades montadas sobre bastidor.....	13
Tuberías - generalidades	14
Tuberías - succión.....	14
Tuberías - descarga	14
Alambrado y conexión a tierra.....	14
Alineamiento del eje - motor a bomba	15
Operación.....	15
Mantenimiento	15
Desarmado	15
Rearmado	16
Guía de identificación y resolución de problemas....	16
Conjunto seccional.....	17
Lista de partes y materiales de construcción	17
Datos de ingeniería	18
Garantía limitada de Goulds Water Technology.....	20

INFORMACIÓN DEL PROPIETARIO

Número de Modelo: _____

Número de Serie: _____

Agente: _____

Fecha de compra: _____ Fecha de entrega: _____

INSTRUCCIONES DE SEGURIDAD

PARA EVITAR LESIONES PERSONALES GRAVES O AÚN FATALES Y SERIOS DAÑOS MATERIALES, LEA Y SIGA TODAS LAS INSTRUCCIONES DE SEGURIDAD EN EL MANUAL Y EN LA BOMBA.



Éste es un **SÍMBOLO DE ALERTA DE SEGURIDAD**. Cuando vea este símbolo en la bomba o en el manual, busque una de las siguientes palabras de señal y esté alerta a la probabilidad de lesiones personales o daños materiales.



Advierte los peligros que **CAUSARÁN** graves lesiones personales, la muerte o daños materiales mayores.



Advierte los peligros que **PUEDEN** causar graves lesiones personales, la muerte o daños materiales mayores.



Advierte los peligros que **PUEDEN** causar lesiones personales o daños materiales.

AVISO: INDICA INSTRUCCIONES ESPECIALES QUE SON MUY IMPORTANTES Y QUE SE DEBEN SEGUIR.

ESTE MANUAL HA SIDO CREADO COMO UNA GUÍA PARA LA INSTALACIÓN Y OPERACIÓN DE ESTA UNIDAD. EXAMINE BIEN TODAS LAS INSTRUCCIONES Y ADVERTENCIAS ANTES DE REALIZAR CUALQUIER TRABAJO EN ESTA BOMBA.

MANTENGA TODAS LAS CALCOMANÍAS DE SEGURIDAD.



Un voltaje peligroso puede producir golpes eléctricos, quemaduras o la muerte.



Instale, conecte a tierra y alambre de acuerdo con los requerimientos del Código Eléctrico Nacional o local.



Instale un desconectador de todos los circuitos, cerca de la bomba.



Desconecte y bloquee la corriente eléctrica antes de instalar o dar servicio a la bomba.



El suministro eléctrico debe coincidir con las especificaciones de la placa del fabricante del motor. La tensión incorrecta puede causar incendios, daños al motor y anular la garantía.



Los motores monofásicos de las bombas están equipados con un protector térmico automático que abre el circuito eléctrico del motor cuando existe una condición de sobrecarga. Esto puede producir el arranque repentino de la bomba.

DESCRIPCIÓN Y ESPECIFICACIONES

Los modelos ICS de acoplamiento cerrado y ICS-F montado sobre bastidor son bombas de extremo de succión de una etapa diseñadas para sistemas de agua ultrapura, procesamiento de bebidas, servicio químico y aplicaciones OEM seleccionadas.

Las bombas son de configuración de desmontaje trasero, con conexiones de succión y descarga NPT y tienen carcasas de acero inoxidable AISI Tipo 316 moldeadas, impulsores abiertos y caja de sello. Todas las bombas están equipadas con protección de camisa de eje de anillo en O y se ofrecen con una variedad de sellos mecánicos opcionales.

Las unidades de acoplamiento cerrado están equipadas con motores NEMA de cara en C con extensiones de eje roscado. Las unidades montadas sobre bastidor se pueden montar sobre una placa de base y se ofrecen con acoplamientos espaciadores o con accionamiento a correa.

Las unidades de acoplamiento cerrado se ofrecen con motores monofásicos o trifásicos, ODP (abiertos resguardados), TEFC (totalmente encerrados y enfriados con ventilador) y a prueba de explosión. Consulte con su distribuidor/agente para obtener información adicional.

AVISO: INSPECCIONE LA UNIDAD PARA DETERMINAR SI ESTÁ DAÑADA Y NOTIFIQUE TODOS LOS DAÑOS DE INMEDIATO A LA COMPAÑÍA TRANSPORTISTA.

LÍMITES MÁXIMOS DE OPERACIÓN

Temperatura del líquido:

212° F (100° C) - sello mecánico estándar

250° F (120° C) - sello mecánico **OPCIONAL**

Presión de operación: 175 lbs./pulg. cuadrada (1203 kPa)

Arranques por hora: 20, distribuidos uniformemente

INSTALACIÓN - GENERALIDADES



LA INSTALACIÓN DE LA BOMBA DEBE INCLUIR UN DRENAJE ADECUADO

O ESTAR UBICADA DE MANERA TAL QUE OTROS EQUIPOS O LA PROPIEDAD NO RESULTEN DAÑADOS EN CASO DE QUE SE PRODUZCA ALGUNA FUGA. LA BOMBA NO DEBE INSTALARSE POR ENCIMA DE LOS EQUIPOS O DE LA PROPIEDAD A MENOS QUE SE PROPORCIONE UN DRENAJE ADECUADO. SI IGNORA ESTA ADVERTENCIA, PUEDE PROVOCAR DAÑOS A LA PROPIEDAD.



SI AJUSTA DEMASIADO LOS SUJETADORES DE LA CARCASA, PODRÍA DAÑAR EL SUJETADOR Y PROVOCAR FUGAS Y DAÑOS A LA PROPIEDAD.

- Sitúe la bomba lo más cerca posible de la fuente de líquido.
- Si se requiere capacidad de recebado de la bomba, la succión de la bomba **DEBE** estar debajo de la fuente del nivel de líquido.
- Proteja a la bomba y a las tuberías contra las temperaturas bajo cero.
- Deje un espacio adecuado alrededor de la unidad para el mantenimiento y la ventilación.

UNIDADES DE ACOPLAMIENTO CERRADO

- Las unidades pueden instalarse horizontales, inclinadas o verticales.



Tensión peligrosa

NO MONTE EL MOTOR DEBAJO DE LA BOMBA. LA FUGA DE FLUIDOS SOBRE EL MOTOR PUEDE CAUSAR ELECTROCHOQUE, QUEMADURAS O LA MUERTE.

- El cimiento de la unidad debe ser plano y substancial para evitar los esfuerzos de las tuberías cuando se aprieten los pernos. Utilice monturas de caucho debajo del motor para reducir al mínimo el ruido y la vibración.
- Apriete los pernos de sujeción del motor **ANTES** de conectar las tuberías de succión y de descarga.

UNIDADES MONTADAS SOBRE BASTIDOR

- Coloque la placa de base sobre el cimiento y desconecte las mitades del acoplamiento. **NO** reconecte el acoplamiento hasta haber completado los procedimientos de alineamiento.
- Se recomienda enlechar la placa de base a un cimiento con zapata sólida, de acuerdo con la Figura 1.

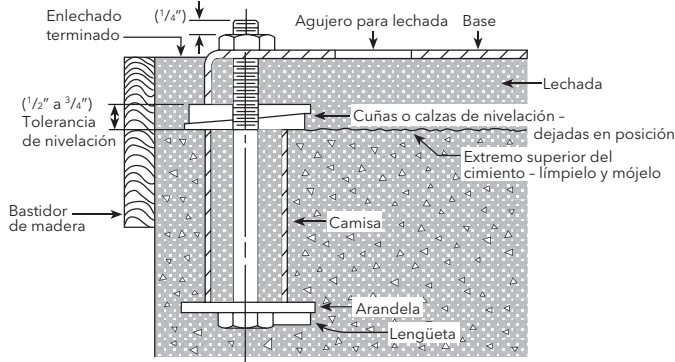


Figura 1

- Tal como se ilustra en la Figura 1, coloque la placa de base sobre cuñas, situando dos cuñas en la ubicación de cada perno de cimentación. Se recomienda un espacio libre de $\frac{3}{4}$ pulg. a 1 $\frac{1}{2}$ pulg. (19 mm a 64 mm) entre la placa de base y el cimiento para enlechar. Ajuste las cuñas como sea necesario para nivelar la placa de base.
- Inspeccione la placa de base para verificar que no haya distorsión y ajústela según sea necesario. Asegúrese de que sea posible realizar cualquier alineamiento final del acoplamiento dentro de los movimientos del motor y los límites de las calzas. Apriete con los dedos los 4 pernos de cimentación.
- Construya un dique alrededor del cimiento y vierta lechada debajo de la placa de base, asegurando que las áreas debajo de la bomba y del motor estén completamente llenas.
- Deje que la lechada se endurezca durante 48 horas antes de apretar los 4 pernos de cimentación.

TUBERÍAS - GENERALIDADES

- Para una capacidad máxima de la bomba, las tuberías no deben ser más pequeñas que la succión y la descarga de la bomba.
- Para reducir al mínimo las pérdidas por fricción de las tuberías, evite las tuberías y accesorios innecesarios.
- Todas las tuberías **DEBEN** estar apoyadas en forma independiente y **NO DEBE** aplicarse ninguna carga de las tuberías sobre la bomba.

AVISO: NO FUERCE LA TUBERÍA A SU POSICIÓN EN LAS CONEXIONES DE SUCCIÓN O DESCARGA DE LA BOMBA.

TUBERÍAS - SUCCIÓN

- Se recomienda que la tubería de succión sea corta y directa. Para elevaciones de succión de más de 10 pies (3 m) y temperaturas de líquido de más de 120° F (49° C), consulte la curva de rendimiento de la bomba con respecto a la carga de succión positiva neta requerida (NPSHR).
- Si se requiere una tubería de tamaño superior a la succión de la bomba, **DEBE** instalarse un reductor de tubo excéntrico, con el lado recto hacia arriba, en la succión de la bomba.
- Si la bomba se instala debajo de la fuente de líquido, instale una válvula de aislamiento de flujo completo en la succión para la inspección y mantenimiento de la bomba.

AVISO: NO UTILICE LA VÁLVULA DE AISLAMIENTO PARA REGULAR LA BOMBA. ESTO PODRÍA CAUSAR PÉRDIDA DE CEBADO, TEMPERATURAS EXCESIVAS Y DAÑO A LA BOMBA, ANULANDO LA GARANTÍA.

- Si la bomba debe instalarse arriba de la fuente de líquido, **DEBE** asegurarse lo siguiente:
- Para evitar las bolsas de aire, ninguna parte de la tubería debe estar situada arriba de la conexión de succión de la bomba.
- Incline la tubería hacia arriba de la fuente de líquido.
- Todas las juntas de tuberías **DEBEN** ser herméticas.
- Utilice una válvula de aspiración **SÓLO** si es necesario para el cebado o para retener el cebado durante un servicio intermitente.
- El colador de succión o campana de succión **DEBE** ser al menos 3 veces el área del diámetro de la tubería de succión.
- Asegure que el tamaño y la sumersión mínima sobre la entrada de succión sea suficiente para evitar la entrada de aire a la bomba a través de un vórtice de succión. Ver las Figuras 2 a 5.

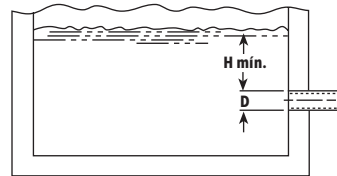


Figura 2

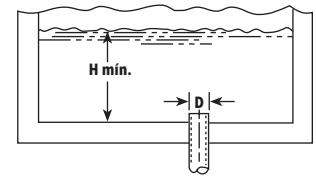


Figura 3

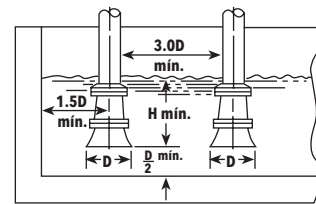


Figura 4

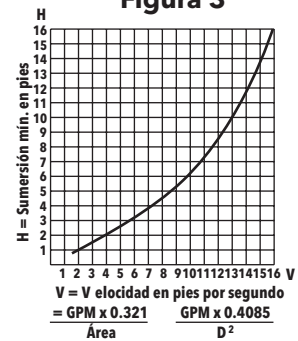


Figura 5

TUBERÍAS - DESCARGA

- Instale una válvula de retención adecuada para manejar el flujo y los líquidos para evitar el contraflujo. Después de la válvula de retención, instale una válvula de compuerta de tamaño adecuado que se utilizará para regular la capacidad de la bomba, para inspeccionar la bomba y para su mantenimiento.
- Cuando se requiera, el aumentador de tubo debe instalarse entre la válvula de retención y la descarga de la bomba.

ALAMBRADO Y CONEXIÓN A TIERRA

ADVERTENCIA
Tensión peligrosa

DESCONECTE Y BLOQUEE LA CORRIENTE ELÉCTRICA ANTES INTENTAR REALIZAR CUALQUIER TIPO DE MANTENIMIENTO. DE LO CONTRARIO, SE PUEDE PRODUCIR ELECTROCHOQUE, QUEMADURAS O LA MUERTE.

- Todo el alambrado y conexiones a tierra deben ser de acuerdo con los requerimientos del Código Eléctrico Nacional o local.
- Use únicamente alambre trenzado de cobre para el motor y la conexión a tierra. El tamaño del alambre **DEBE** limitar la caída máxima de tensión al 10% de la tensión de la placa del fabricante del motor en los terminales del motor. La caída excesiva de tensión podría afectar el rendimiento y anular la garantía del motor.

- Los motores monofásicos suministrados por Goulds tienen sobrecargas térmicas incorporadas. Otros motores no equipados con las mismas **DEBEN** utilizar un contactador y sobrecarga de tamaño apropiado. Se permite el uso de fusibles.
- Los motores trifásicos requieren protección de circuitos derivados con arrancadores magnéticos y sobrecargas térmicas del tamaño apropiado.

AVISO: LA ROTACIÓN DE LA UNIDAD ES EN SENTIDO DE LAS AGUJAS DEL RELOJ CUANDO SE MIRA DESDE EL EXTREMO DEL MOTOR. LA ROTACIÓN INCORRECTA PUEDE CAUSAR DAÑO A LA BOMBA Y ANULAR LA GARANTÍA.

- Motores trifásicos **ÚNICAMENTE:** Para verificar la rotación de la bomba, observe la bomba mientras **ENCIENDE** y luego **APAGA** rápidamente el suministro eléctrico. Si es incorrecta, solicite que un electricista calificado intercambie dos de los tres alambres de alimentación eléctrica del motor.

ALINEAMIENTO DEL EJE - MOTOR A BOMBA

- Después de haber finalizado la instalación de la placa de base de la unidad montada sobre bastidor, **DEBE** verificarse el alineamiento del eje de la bomba y del motor, consulte la Figura 6, y debe reinstalarse el espaciador del acoplamiento.

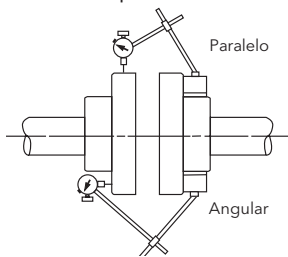


Figura 6

- Antes de verificar el alineamiento del eje, asegure que los pernos de cimentación y de sujeción de la bomba y el motor estén apretados adecuadamente.
- Si es necesario realinear, **SIEMPRE** haga los ajustes requeridos al motor, instalando o quitando calzas según sea necesario.
- Para detectar el desalineamiento **PARALELO**, coloque un indicador de cuadrante sobre un cubo del acoplamiento, gire el cubo 360° mientras observa las lecturas del diámetro exterior del otro cubo en el indicador. El alineamiento paralelo requiere una lectura total del indicador (TIR) de 0.005 pulg. (0.13 mm) o menos.
- Para detectar el desalineamiento **ANGULAR**, coloque un indicador de cuadrante sobre un cubo del acoplamiento, gire el cubo 360° mientras observa las lecturas de la cara del otro cubo en el indicador. El alineamiento angular requiere una lectura total del indicador (TIR) de 0.005 pulg. (0.13 mm) o menos.
- Se habrá logrado un alineamiento correcto cuando se cumpla con los requerimientos de TIR paralela y angular y cuando los pernos de sujeción del motor estén apretados.

AVISO: VERIFIQUE NUEVAMENTE EL ALINEAMIENTO DEL EJE DESPUÉS DE HACER CUALQUIER AJUSTE.

OPERACIÓN



NO OPERE LA UNIDAD SIN UN RESGUARDO DE SEGURIDAD INSTALADO. DE LO CONTRARIO, PUEDEN OCASIONARSE LESIONES PERSONALES GRAVES O AÚN LA MUERTE.

AVISO: HAY QUE CEBAR COMPLETAMENTE LA BOMBA ANTES DE SU OPERACIÓN.



NO HAGA FUNCIONAR LA BOMBA CON UN FLUJO DE CERO O CERCA DE CERO. DE LO CONTRARIO, PUEDE PRODUCIRSE CALENTAMIENTO EXTREMO, DAÑO A LA BOMBA, LESIONES PERSONALES O DAÑOS MATERIALES.

- Después de estabilizar el sistema en las condiciones normales de operación, inspeccione las tuberías y el acoplamiento para verificar los alineamientos correctos. Si es necesario, ajuste los soportes de las tuberías y realinee los ejes siguiendo los procedimientos proporcionados.

MANTENIMIENTO

- Los motores de las bombas de acoplamiento cerrado y los motores de las bombas montadas sobre bastidor tienen cojinetes de lubricación permanente. No es necesario ni es posible agregar lubricación.
- Siga las recomendaciones del fabricante del acoplamiento y del motor con respecto a mantenimiento.

DESARMADO



DESCONECTE Y BLOQUEE LA CORRIENTE ELÉCTRICA ANTES INTENTAR DAR MANTENIMIENTO. DE LO CONTRARIO, SE PUEDE PRODUCIR ELECTROCHOQUE, QUEMADURAS O LA MUERTE.



LA CARCASA PUEDE CONTENER FLUIDOS PELIGROSOS QUE PUEDEN PRODUCIR LESIONES PERSONALES GRAVES O DAÑOS MATERIALES.

- Drene y enjuague el sistema, en la forma requerida.
- Para unidades de acoplamiento cerrado o montadas sobre bastidor:
- Retire los pernos de sujeción del motor o del bastidor de los cojinetes
- Retire el resguardo y el espaciador del acoplamiento
- Quite los 4 tornillos (370) de la carcasa; luego, empleando las ranuras en la carcasa (100), retire el conjunto de desmontaje trasero de la carcasa. Retire cuidadosamente las calzas de la carcasa.

AVISO: EL IMPULSOR COMPRIME EL RESORTE DEL SELLO MECÁNICO - ESTÉ PREPARADO PARA QUE EL IMPULSOR SALTE DEL EJE AL DESATORNILLARLO.

- Para retirar el impulsor es necesario calentar el área del cubo central con un soplete de propano de mano durante aproximadamente 30 segundos. Desatornille el impulsor (101) del eje, gire el impulsor en sentido **CONTRAHORARIO** mientras sujeta el eje. Los motores tienen una ranura para destornillador o ranura hexagonal debajo de la tapa extrema del motor. Inspeccione el impulsor para ver si hay desgaste o daño y reemplace según sea necesario. Deseche el anillo en O de la camisa del eje (412A).

AVISO: TENGA CUIDADO CUANDO MANEJE UN IMPULSOR CALIENTE.

- Para retirar el sello mecánico, quite los 4 tornillos de la caja del sello (370H) y deslice el conjunto de la caja del sello fuera del eje. Deseche la mitad giratoria del sello y el anillo en O de la caja del sello (513). Con una manija de destornillador de tamaño apropiado, empuje la mitad estacionaria del sello fuera de la caja del sello y deséchela.
- Para retirar la camisa del eje (126) es necesario calentar uniformemente la sección exterior de la camisa, con un soplete de propano de mano, mientras hace palanca entre el reborde del eje y la camisa.

AVISO: TENGA CUIDADO CUANDO MANEJE UNA CAMISA DE EJE CALIENTE.

- Con el retiro de los cuatro tornillos del adaptador para el motor (371) y el adaptador para el motor (108) del motor se completa el desarmado de la unidad de acoplamiento cerrado.
- El desarmado del conjunto del bastidor de los cojinetes se lleva a cabo quitando los 4 tornillos del adaptador para el bastidor (371) y retirando dicho adaptador (108) del bastidor de los cojinetes (228).
- Quite los 4 tornillos de la cubierta de los cojinetes (370C), teniendo cuidado de no dañar el sello de reborde (139). Inspeccione el sello de reborde para determinar si está dañado y reemplácelo según sea requerido.
- Retire el conjunto del eje del bastidor de los cojinetes, halando el extremo del motor del eje fuera de la caja.
- Teniendo cuidado de no dañar el eje, retire el anillo de resorte (361) y los cojinetes exteriores (112) del eje. Si se requiere, retire el cojinete interior (168). Inspeccione los cojinetes para ver si hay desgaste o daño y reemplácelos según sea necesario.
- Inspeccione el sello de reborde interior (138) y reemplácelo según sea requerido.
- Esto completa la operación de desarmado.

REARMADO

- Rearme el conjunto del bastidor de los cojinetes en orden inverso de la operación de desarmado. Utilice las herramientas apropiadas para la instalación de los cojinetes y aplique fuerza sobre el anillo del cojinete interior **ÚNICAMENTE**. Empuje los cojinetes en forma completa y encuadrada sobre el eje.
- Si se reemplazó la camisa del eje, se requiere que la nueva camisa se adhiera al eje utilizando Loctite™ #243 o equivalente. Siguiendo las instrucciones del fabricante en la preparación de la camisa y el eje, aplique agente adhesivo a las superficies y luego deslice la camisa sobre el eje. Quite todo el exceso de agente adhesivo.
- Instale el conjunto del eje en el bastidor de los cojinetes. **NO** dañe el sello de reborde interior.
- Inserte y apriete los 4 tornillos de la cubierta de los cojinetes.
- Instale el adaptador para los cojinetes, con la placa del fabricante hacia el **EXTREMO SUPERIOR**, utilizando los 4 tornillos.
- Inspeccione y quite todos los residuos del orificio del asiento estacionario de la caja del sello. Lubrique el diámetro exterior del nuevo asiento estacionario con un lubricante para anillos en O de buena calidad y empuje el asiento en forma completa y encuadrada en la caja del sello. Con un paño limpio y sin pelusas, quite todos los residuos o lubricante de la cara del asiento. **NO** raye la cara.
- Instale un nuevo anillo en O de la caja del sello sobre la caja, luego deslice cuidadosamente la caja del sello sobre el eje y sujétela al adaptador para el motor con los 4 tornillos. **NO** dañe el asiento estacionario del sello mecánico.
- Instale el nuevo anillo en O de la camisa del eje.
- Deslice el nuevo conjunto giratorio del sello mecánico sobre la camisa del eje. Aplique Loctite™ 7649 y permita para secarse. Aplique Loctite™ #243 a la rosca del eje del motor y luego atornille el impulsor girándolo en sentido **HORARIO**. Torsione el impulsor a 12 pie-lbs. (1.7 kg/m).

- El paquete de calzas (330) permite renovar el espaciamiento del impulsor para compensar por el desgaste del impulsor o la carcasa. Los grosores de las calzas en el paquete de calzas varían de 0.003 pulg. a 0.025 pulg. (0.08 mm a 0.64 mm). El grosor del paquete de calzas de la fábrica es de aproximadamente 0.060 pulg. (1.52 mm). Para ajustar el espaciamiento nominal sugerido del impulsor de 0.020 pulg. (0.51 mm), prosiga de la siguiente manera:
- Establezca un paquete de calzas cuyo grosor permita que el impulsor toque apenas el interior de la superficie de la carcasa, cuando la bomba está armada.
- Agregue calzas para un grosor adicional de 0.020 pulg. (0.51 mm).
- Cuando se haya obtenido el espaciamiento apropiado del impulsor, instale y apriete los 4 tornillos de la carcasa.
- Instale los cuatro pernos de sujeción del bastidor de los cojinetes para las unidades montadas sobre bastidor o los 4 pernos de sujeción del motor para las unidades de acoplamiento cerrado.
- En el caso de las unidades montadas sobre bastidor, verifique el alineamiento del acoplamiento tal como se especifica en la sección de "ALINEAMIENTO DEL EJE - MOTORA BOMBA" de este manual.
- Inspeccione la rotación de la unidad para verificar que no haya roce y corríjala según sea requerido.
- Reinstale el resguardo de seguridad.
- Esto completa la operación de rearmado.

GUÍA DE IDENTIFICACIÓN Y RESOLUCIÓN DE PROBLEMAS

⚠ ADVERTENCIA

Tensión peligrosa

DESCONECTE Y BLOQUEE LA CORRIENTE ELÉCTRICA ANTES INTENTAR DAR MANTENIMIENTO. DE LO CONTRARIO, SE PUEDE PRODUCIR ELECTROCHOQUE, QUEMADURAS O LA MUERTE.

SÍNTOMA

EL MOTOR NO ESTÁ FUNCIONANDO

Ver la causa probable -1 a 5

LA BOMBA ENTREGA POCO O NADA DE LÍQUIDO

Ver la causa probable -6 a 13

EL CONSUMO DE ELECTRICIDAD ES DEMASIADO ALTO

Ver las causas probables -3, 13, 14, 15 y 18

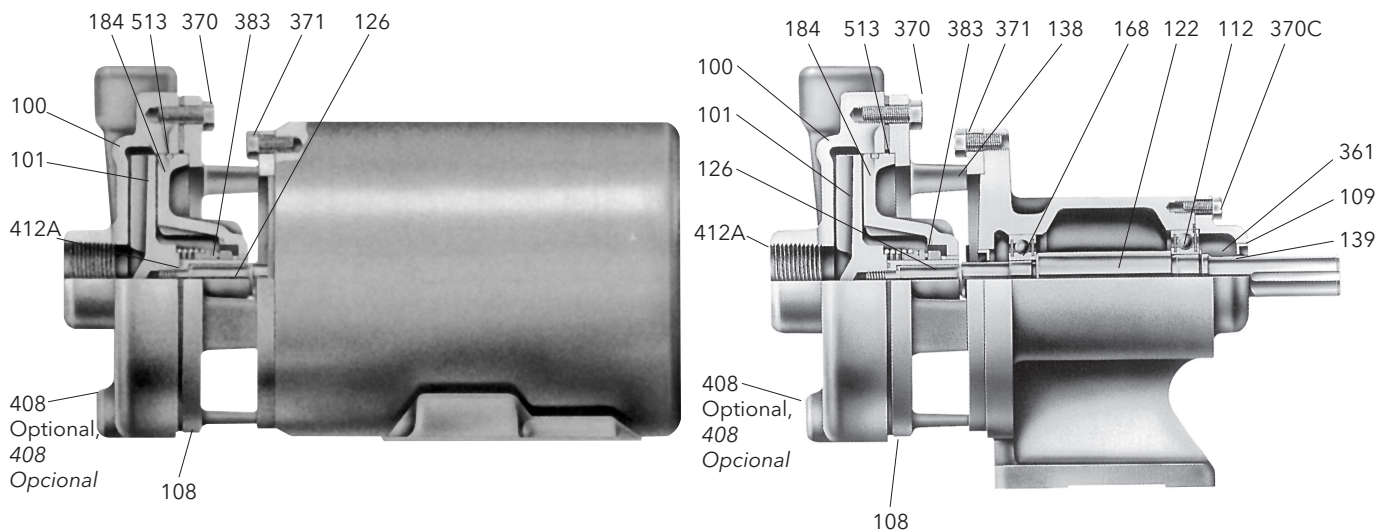
RUIDO Y VIBRACIÓN EXCESIVOS

Ver las causas probables -3, 6, 7, 8, 10, 12, 14, 16, 17 y 18

CAUSA PROBABLE

1. Se disparó el protector térmico del motor
2. Cortacircuitos abierto o fusible quemado
3. Roce del impulsor
4. Cableado incorrecto del motor
5. Motor defectuoso
6. La bomba no está cebada, hay aire o gases en el líquido bombeado
7. Descarga o succión bloqueada o válvula cerrada
8. Rotación incorrecta (unidades trifásicas únicamente)
9. Baja tensión o pérdida de fase
10. Impulsor gastado o taponado
11. Carga del sistema demasiado alta
12. NPSHA demasiado baja - elevación de succión o pérdidas de succión excesivas.
13. Diámetro incorrecto del impulsor
14. Carga de descarga demasiado baja - velocidad de flujo excesiva
15. Viscosidad o peso específico del fluido demasiado alto
16. Cojinete gastado
17. La bomba, el motor o la tubería está suelta.
18. Los ejes de la bomba y el motor están desalineados

CONJUNTOS SECCIONALES ICS & ICS-F



LISTA DE PARTES Y MATERIALES DE CONSTRUCCIÓN

COMPONENTES DEL EXTREMO DEL LÍQUIDO

Artículo N°.	Número/Bomba	Nombre de la parte	Material
100	1	Carcasa - 1 x 1¼ - 5	ASTM A744 Grado CF-8M
	1	Carcasa - 1¼ x 1½ - 5	ASTM A744 Grado CF-8M
101	1	Impulsor	ASTM A744 Grado CF-8M
126	1	Camisa del eje	ASTM A276 Tipo Ac. Inox. 316
184	1	Caja del sello	ASTM A744 Grado CF-8M 330*
330*	1	Paquete de calzas	Mylar
370	4	Tornillos de cabeza hexagonal - del adaptador a la carcasa	ASTM A276 Tipo Ac. Inox. 304
370H*	4	Tornillos de cabeza hexagonal - del adaptador a la caja del sello	ASTM A276 Tipo Ac. Inox. 304
383	1	Sello mecánico (estándar)	Carbón/Sil Car/Viton
		Sello mecánico (opcional)	Carbón/Sil Car/EPR
412A	1	Anillo en O - camisa del eje	Viton
513	1	Anillo en O - caja del sello	Viton

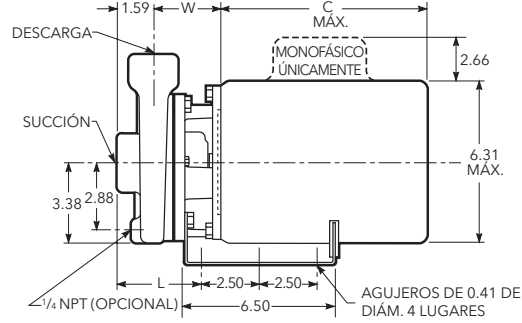
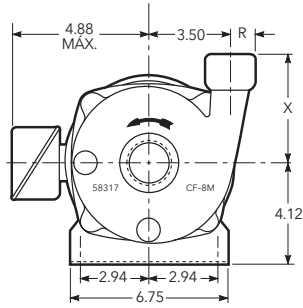
* No se ilustra

COMPONENTES DEL EXTREMO DE ENERGÍA

Artículo N°.	Número/Bomba	Nombre de la parte	Material
108	1	Adaptador para el bastidor de los cojinetes y el motor	Hierro fundido ASTM A48
109	1	Cubierta de los cojinetes	Hierro fundido ASTM A48
112	1	Rodamiento - exterior	Acero ASTM A108
122	1	Eje de la bomba	ASTM A276 Tipo Ac. Inox. 303
168	1	Rodamiento - interior	Acero ASTM A108
361	1	Anillo de resorte - cojinete exterior	Acero ASTM A108
228	1	Bastidor de los cojinetes	Hierro fundido ASTM A48
138	1	Sello de reborde - interior	BUNA-N y acero ASTM A108
139	1	Sello de reborde - exterior	BUNA-N y acero ASTM A108
370C	4	Tornillos de cabeza hexagonal - de la cubierta de los cojinetes al bastidor de los cojinetes	Acero ASTM A108
371	4	Tornillos de cabeza hexagonal - del adaptador al bastidor de los cojinetes / motor	ASTM A276 Tipo Ac. Inox. 304

ICS - DATOS DE INGENIERÍA

½ HP - 2 HP



Dimensiones y peso - determinados por bomba

Bomba	Succión NPT	Descarga NPT	Izq.	Der.	Ancho	X	*Peso Máx.
1 x 1¼-5	1¼	1	3.75	.94	3.01	4.62	17
1¼ x 1½-5	1½	1¼	3.62	1.06	2.88	4.56	17

NOTAS:

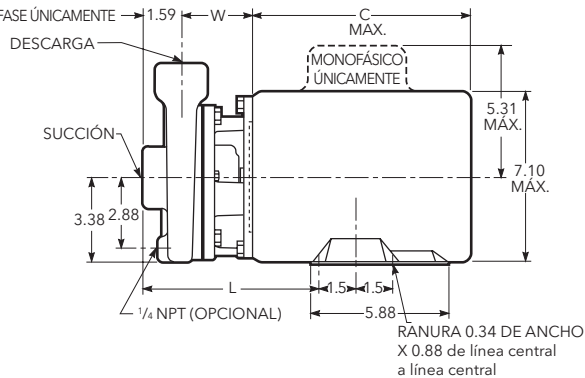
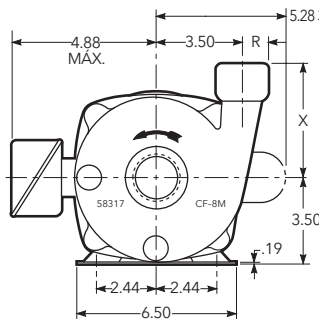
- Las bombas se enviarán con descarga vertical superior como estándar; para otras orientaciones, retire los pernos de la carcasa, gire a la posición deseada y apriete los pernos de ¾ pulg. a 24 pie-lbs.
- Las dimensiones son en pulgadas, el peso es en libras.
- No debe usarse con fines de construcción a menos que esté certificado.
- Las dimensiones del motor pueden variar dependiendo de los fabricantes de motores.

* El peso es del extremo de líquido únicamente. Para la bomba completa, agregue el peso del motor correspondiente.

Dimensiones y peso de los motores disponibles

HP	Peso del motor						Largo C Max.
	Monofásico			Trifásico			
	ODP	TEFC	EXP	ODP	TEFC	EXP	
½	16	21	47	19	18	27	9 ¹⁵ / ₁₆
¾	19	24	41	21	21	30	10 ¹ / ₄
1	22	26	49	23	21	30	11
1½	28	35	56	27	27	37	11 ⁵ / ₁₆
2	33	39	60	32	33	44	12 ¹ / ₁₆

3 HP únicamente



Dimensiones y peso - determinados por bomba

Bomba	Succión NPT	Descarga NPT	Izq.	Der.	Ancho	X	*Peso Máx.
1 x 1¼-5	1¼	1	7.35	.94	3.01	4.62	17
1¼ x 1½-5	1½	1¼	7.22	1.06	2.88	4.56	17

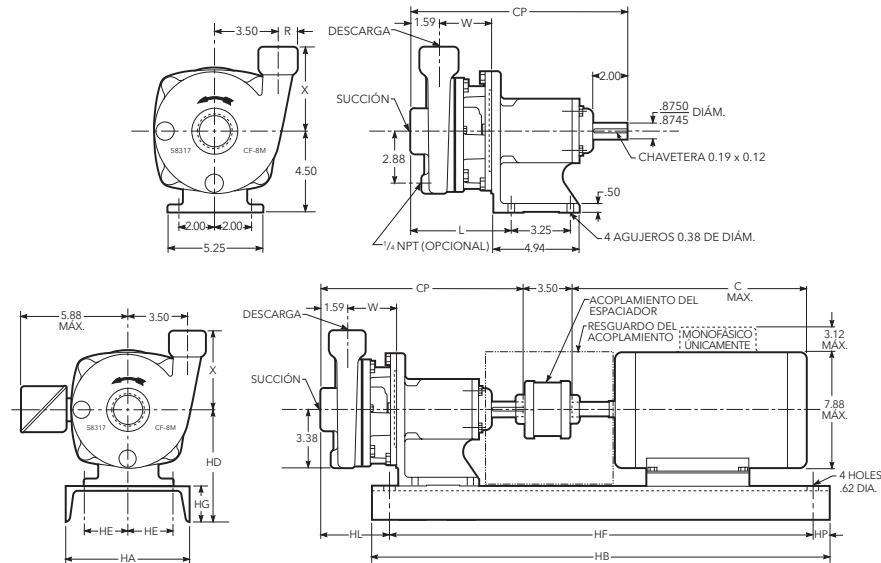
Dimensiones y peso de los motores disponibles

HP	Peso del motor					Largo C Max.
	Monofásico		Trifásico		A prueba de expl.	
	ODP	TEFC	ODP	TEFC		
3	40	45	42	37	-	13.34

Las dimensiones son en pulgadas, el peso es en libras.

ICS-F - DATOS DE INGENIERÍA

Dimensiones y peso de la bomba



Dimensiones y peso - determinados por bomba

Bomba	Succión NPT	Descarga NPT	CP	Izq.	Der	Ancho	X	Peso máx.	HL Frame		
									56	140	180
1 x 1¼-5	1¼	1	12.16	5.73	.94	3.01	4.62	38	5.73	3.85	
1¼ x 1½-5	1½	1¼	12.03	5.60	1.06	2.88	4.56	38	5.60	3.72	

NOTAS:

1. Las bombas se enviarán con descarga vertical superior como estándar; para otras orientaciones, retire los pernos de la carcasa, gire a la posición deseada y apriete los pernos de 3/8 pulg. a 24 pie-lbs.
2. Las dimensiones son en pulgadas, el peso es en libras.
3. No debe usarse con fines de construcción a menos que esté certificado.
4. Las dimensiones del motor pueden variar dependiendo de los fabricantes de motores.

Dimensiones y peso de los motores y planchas de asiento disponibles

Bastidor del motor	HA	HB	HD	HE	HF	HG	HP	Peso Máx.	Shims	Potencia - 3500 RPM				Peso Máx.	C Max.		
										Monofásico		Trifásico					
										ODP	TEFC	ODP	TEFC				
56	8	26	6.87	3.12	22.38	2.38	1.00	30	1.00	1/2 - 1 1/2	1/2 - 1 1/2	1/2 - 1	1/2 - 1	45	13		
143T										-	-	1 1/2	1 1/2			45	13.38
145T										2	2	2-3	2				
182T	10		7.25	3.75	24	2.75	.88	43	-	3	3	5	3	63	16.62		
184T										5	5	-	5			112	18.12

Las dimensiones son en pulgadas, el peso es en libras.

GARANTÍA COMERCIAL

Para los productos vendidos a compradores comerciales, el Vendedor garantiza que los productos vendidos al Comprador en virtud del presente (con excepción de membranas, sellos, juntas, materiales de elastómero, revestimientos y otras "partes de desgaste" o consumibles, que no se garantizan, con excepción de lo dispuesto por el contrario en la cotización o formulario de venta) (i) se construirán de acuerdo con las especificaciones referidas en la cotización o formulario de venta, si tales especificaciones se realizan expresamente como parte de este Acuerdo, y (ii) están libres de defectos en material y mano de obra por un período de un (1) año desde la fecha de instalación o doce (12) meses desde la fecha de envío (y tal fecha de envío no deberá ser posterior a dieciocho (18) meses posteriores a la recepción del aviso que los productos están listos para ser enviados), lo que ocurra primero, a menos que se especifique un período mayor en la documentación del producto (la "Garantía").

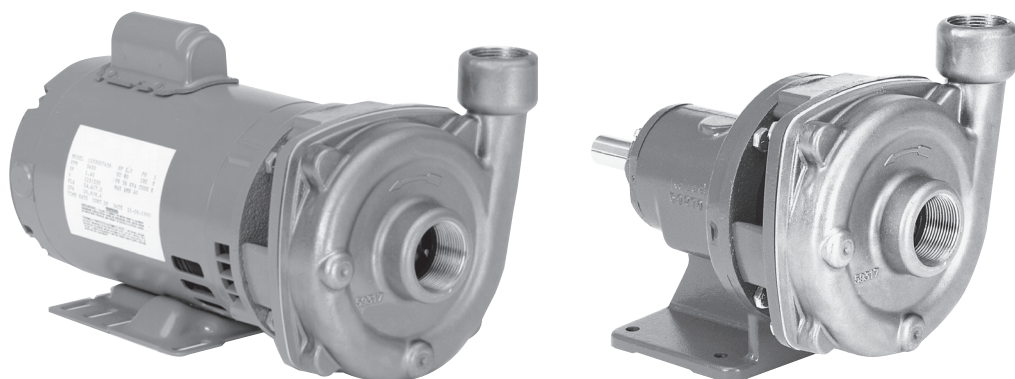
Con excepción de lo requerido por ley, el Vendedor, a su opción y sin costo alguno para el Comprador, reparará o reemplazará el producto que no se ajuste a la Garantía en tanto que el Comprador envíe un aviso escrito al Vendedor sobre todo defecto en material o mano de obra dentro de diez (10) días de la fecha en que aparecen por primera vez los defectos o no conformidades. Según la opción de reparación o reemplazo, el Vendedor no estará obligado a remover o pagar la remoción del producto defectuoso ni instalar o pagar la instalación del producto reemplazado o reparado y el Comprador será responsable de todos los demás costos, que incluyen, entre otros, los costos de servicio, aranceles y gastos de envío. El Vendedor tendrá la exclusiva facultad de decisión con respecto al método o medio de reparación o reemplazo. El incumplimiento del Comprador de las instrucciones de reparación o reemplazo del Vendedor rescindirá las obligaciones del Vendedor en virtud de esta Garantía y anulará esta Garantía. Toda pieza reparada o reemplazada en virtud de la Garantía es garantizada solo por el resto del período de garantía por las piezas reparadas o reemplazadas. El Vendedor no tendrá obligaciones de garantía frente al Comprador con respecto a ningún producto o pieza de un producto que haya sido: (a) reparado por terceros que no sean el Vendedor o sin la aprobación escrita del Vendedor; (b) sujeto a uso incorrecto, aplicación incorrecta, descuido, alteración, accidente o daño físico; (c) usado de forma contraria a las instrucciones del Vendedor para la instalación, operación y mantenimiento; (d) dañado por el uso y desgaste normal, corrosión o ataque químico; (e) dañado debido a condiciones anormales, vibración, falta de cebado correcto o funcionamiento sin flujo; (f) dañado debido a una fuente de alimentación defectuosa o protección eléctrica incorrecta; o (g) dañado debido al uso de equipos accesorios no vendidos o aprobados por el Vendedor. En el caso de productos no fabricados por el Vendedor, no hay garantía del Vendedor; sin embargo, el Vendedor extenderá al Comprador toda garantía recibida del proveedor del Vendedor de tales productos.

LA GARANTÍA ANTERIOR ES EXCLUSIVA Y REEMPLAZA TODA OTRA GARANTÍA, CONDICIÓN O TÉRMINO EXPRESO O IMPLÍCITO DE CUALQUIER NATURALEZA RELACIONADO CON LOS PRODUCTOS PROVISTOS EN VIRTUD DEL PRESENTE, INCLUYENDO, SIN CARÁCTER LIMITATIVO, LAS GARANTÍAS IMPLÍCITAS DE COMERCIABILIDAD E IDONEIDAD PARA UN PROPÓSITO EN PARTICULAR, QUE POR EL PRESENTE SE RECHAZAN Y EXCLUYEN EXPRESAMENTE. CON EXCEPCIÓN DE LO DISPUESTO POR LA LEY EN CONTRARIO, EL EXCLUSIVO REMEDIO DEL COMPRADOR Y LA RESPONSABILIDAD TOTAL DEL VENDEDOR POR EL INCUMPLIMIENTO DE ALGUNA DE LAS GARANTÍAS ANTERIORES SE LIMITA A REPARAR O REEMPLAZAR EL PRODUCTO Y EN TODO CASO SE LIMITARÁ AL IMPORTE PAGADO POR EL COMPRADOR POR EL PRODUCTO DEFECTUOSO. EN NINGÚN CASO EL VENDEDOR SERÁ RESPONSABLE POR OTRA FORMA DE DAÑOS, YA SEA DIRECTOS, INDIRECTOS, LIQUIDADOS, INCIDENTALS, RESULTANTES, PUNITIVOS, EJEMPLARES O ESPECIALES, INCLUYENDO, ENTRE OTROS, LA PÉRDIDA DE GANANCIAS, LA PÉRDIDA DE AHORROS ANTICIPADOS O GANANCIAS, LA PÉRDIDA DE INGRESOS, LA PÉRDIDA DEL NEGOCIO, LA PÉRDIDA DE PRODUCCIÓN, LA PÉRDIDA DE OPORTUNIDAD O LA PÉRDIDA DE REPUTACIÓN.



Xylem Inc.
2881 East Bayard Street Ext., Suite A,
Seneca Falls, NY 13148
Teléfono: (800) 453-6777 Fax: (888) 322-5877
www.xylem.com/goulds

Xylem is a trademark of Xylem Inc.
Goulds es una marca registrada de Goulds Pumps, Inc. y se utiliza bajo licencia.
© 2022 Xylem Inc. IM011 Revisión Número 7 Mayo 2022



Modèles ICS et ICS-F



DIRECTIVES D'INSTALLATION, D'UTILISATION ET D'ENTRETIEN

TABLE DES MATIÈRES

SUJET	PAGE
Consignes de sécurité.....	23
Description et caractéristiques	23
Installation - généralités	23
Groupes monobloc (pompes montées sur moteur) ...	23
Pompes montées sur palier	23
Tuyauterie - généralités.....	24
Tuyauterie - aspiration	24
Tuyauterie - refoulement.....	24
Câblage et mise à la terre	24
Alignement des arbres - moteur et pompe	25
Utilisation	25
Entretien	25
Démontage	25
Remontage.....	26
Diagnostic des anomalies.....	26
ICS et ICS-F - vues en coupe	27
Liste de pièces et matériaux.....	27
ICS et ICS-F - données techniques.....	28, 29
Garantie limitée de Goulds Water Technology	32

INFORMATIONS POUR LE PROPRIÉTAIRE

Numéro de modèle: _____

Numéro de série: _____

Détaillant: _____

Date d'achat: _____ Date de livraison: _____

CONSIGNES DE SÉCURITÉ

AFIN DE PRÉVENIR LES BLESSURES GRAVES OU MORTELLES ET LES DOMMAGES MATÉRIELS IMPORTANTS, LIRE ET SUIVRE TOUTES LES CONSIGNES DE SÉCURITÉ FIGURANT DANS LE MANUEL ET SUR LA POMPE.



Le symbole ci-contre est un **SYMBOLE DE SÉCURITÉ** employé pour signaler sur la pompe et dans le manuel les mots-indicateurs dont on trouvera la description ci-dessous. Sa présence sert à attirer l'attention afin d'éviter les blessures et les dommages matériels.



DANGER Préviens des risques qui VONT causer des blessures graves, la mort ou des dommages matériels importants.



AVERTISSEMENT Préviens des risques qui PEUVENT causer des blessures graves, la mort ou des dommages matériels importants.



ATTENTION Préviens des risques qui PEUVENT causer des blessures ou des dommages matériels.

AVIS : SERT À ÉNONCER LES DIRECTIVES SPÉCIALES DE GRANDE IMPORTANCE QUE L'ON DOIT SUIVRE.

LE PRÉSENT MANUEL A POUR BUT DE FACILITER L'INSTALLATION ET L'UTILISATION DE LA POMPE. LIRE SOIGNEUSEMENT CHAQUE DIRECTIVE ET AVERTISSEMENT AVANT D'EFFECTUER TOUT TRAVAIL SUR LA POMPE.

N'ENLEVER AUCUNE DÉCALCOMANIE DE SÉCURITÉ.



! Installer la pompe, la mettre à la terre et la brancher suivant les prescriptions du code provincial ou national de l'électricité.

! Poser un sectionneur tout conducteur près de la pompe.

! Verrouiller le disjoncteur du circuit électrique de la pompe en position ouverte avant de procéder à l'installation ou à l'entretien de la pompe.

! L'alimentation électrique doit être conforme aux spécifications de la plaque signalétique. Une tension inappropriée peut causer un incendie ou des dommages au moteur et annule la garantie.

! Le protecteur thermique des moteurs monophasés coupe le courant lorsqu'il y a surcharge et le rétablit automatiquement, redémarrant ainsi la pompe de façon imprévue.

DESCRIPTION et CARACTÉRISTIQUES

Les pompes ICS (monobloc, c.-à-d. montées sur moteur) et ICS-F (montées sur palier) sont des pompes à un étage et à orifice d'aspiration en bout, conçues pour les systèmes d'alimentation en eau ultrapure, la transformation des boissons, les produits chimiques et le matériel OEM particulier.

Les pompes sont du type à ensemble d'entraînement de roue amovible, à raccords d'aspiration et de refoulement NPT, à corps de pompe en inox AISI du type 316 coulé de précision, à roue semi-ouverte et à logement de garniture mécanique. Elles sont munies d'une chemise d'arbre à joint torique et offertes avec diverses garnitures mécaniques en option.

Les groupes monobloc sont dotés d'un moteur conforme aux normes NEMA, d'un adaptateur en C et d'un arbre-rallonge fileté. Les pompes sur palier peuvent être montées sur une plaque de base et entraînées par accouplement ou par courroie.

Les groupes monobloc ont des moteurs monophasés ou triphasés abrités (à ouvertures de ventilation protégées), fermés autoventilés ou antidéflagrants. Pour plus de détails, consulter le distributeur ou le détaillant.

AVIS : INSPECTER L'APPAREIL ET SIGNALER IMMÉDIATEMENT TOUT DOMMAGE AU TRANSPORTEUR.

LIMITES DE SERVICE MAXIMALES

Température du liquide:

100 °C (212 °F), avec garniture mécanique standard;

120 °C (250 °F), avec garniture mécanique EN OPTION.

Pression: 1 203 kPa (175 lb/po²)

Démarrages par heure: 20, répartis uniformément

INSTALLATION - GÉNÉRALITÉS



L'INSTALLATION DE LA POMPE DOIT INCLURE UN DRAINAGE ADÉQUAT

OU SITUÉ DE MANIÈRE À CE QUE D'AUTRES ÉQUIPEMENTS OU BIENS NE SOIENT PAS ENDOMMAGÉS EN CAS DE FUITE. LA POMPE NE DOIT PAS ÊTRE INSTALLÉE AU-DESSUS DE L'ÉQUIPEMENT SANS DRAINAGE ADÉQUAT. LE NON-RESPECT DE CETTE CONSIGNE POURRAIT CAUSER DES DOMMAGES MATÉRIELS.



UN SERRAGE EXCESSIF DES FIXATIONS DU BOÎTIER RISQUE DE LES

ENDOMMAGER ET DE CAUSER DES FUITES ET DES DOMMAGES MATÉRIELS.

- Placer la pompe aussi près de la source de liquide que possible.
- Si le réamorçage de la pompe est requis, on DOIT placer l'orifice d'aspiration de celle-ci au-dessous du niveau de la source de liquide.
- Protéger la pompe et la tuyauterie du gel.
- Prévoir assez d'espace autour de la pompe pour l'entretien et l'aération.

GROUPES MONOBLOC (POMPES MONTÉES SUR MOTEUR)

- Les groupes monobloc peuvent être installés sur une surface (dalle ou massif de béton) horizontale, inclinée ou verticale.



Tension dangereuse

NE PAS PLACER LE MOTEUR PLUS BAS QUE LA POMPE, CAR, EN CAS DE FUITE OU DE CONDENSATION, DU LIQUIDE POURRAIT COULER SUR LE MOTEUR ET CAUSER UN CHOC ÉLECTRIQUE, UN INCENDIE, VOIRE LA MORT.

- On doit fixer l'appareil à une dalle plane et solide pour empêcher toute contrainte sur la tuyauterie en serrant les boulons. Monter l'appareil sur caoutchouc pour réduire le bruit et les vibrations au minimum.
- Serrer les boulons de fixation du moteur **AVANT** de raccorder la tuyauterie à la pompe.

POMPES MONTÉES SUR PALIER

- Poser la plaque de base sur la dalle, puis détacher les demi-accouplements. **NE PAS** les rattacher tant qu'ils n'auront pas été alignés.

- Il est recommandé de remplir de coulis le vide entre la plaque de base et la dalle reposant sur une semelle de fondations solide (fig. 1).
- Comme le montre la figure 1, placer la plaque de base sur des coins de nivellement (deux à chaque boulon d'ancrage) et mettre la plaque au niveau avec les coins. L'espace (épaisseur) recommandé pour le coulis, entre la dalle et la plaque, est de 19-64 mm (¾-1½ po).
- Vérifier si la plaque de base est déformée et la redresser au besoin. S'assurer que l'alignement final de l'accouplement est possible dans les limites de déplacement ou de calage du moteur. Serrer les quatre boulons d'ancrage à la main.

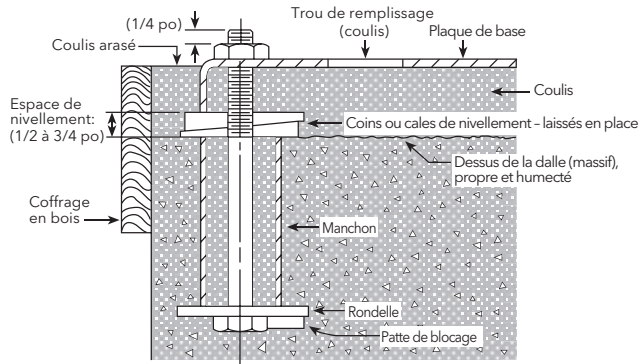


Figure 1

- Construire un coffrage autour de la plaque de base. Verser du coulis sous la plaque de base. Voir à ce qu'il n'y ait aucun creux dans le coulis, sous la pompe et le moteur.
- Laisser le coulis durcir pendant 48 heures avant de bien serrer les quatre boulons d'ancrage.

TUYAUTERIE - GÉNÉRALITÉS

- Afin d'obtenir un débit de refoulement maximal, le calibre de la tuyauterie ne devrait pas être inférieur à celui des raccords d'aspiration et de refoulement de la pompe.
- Réduire la perte de charge (par frottement) au minimum : ne pas utiliser d'accessoires ni de raccords de tuyauterie superflus.
- La tuyauterie **DOIT** posséder ses propres supports et **NE** doit **PAS** appliquer de contraintes sur la pompe.

AVIS: LA TUYAUTERIE DOIT ÊTRE POSÉE DE FAÇON À NE PAS APPLIQUER DE CONTRAINTES SUR LES RACCORDS D'ASPIRATION ET DE REFOULEMENT DE LA POMPE.

TUYAUTERIE - ASPIRATION

- On recommande une tuyauterie d'aspiration courte et directe. Si la hauteur d'aspiration dépasse 3 m (10 pi) et la température du liquide, 49 °C (120 °F), consulter la courbe de performances de la pompe pour obtenir la hauteur nette d'aspiration requise (NPSHR).
- Lorsqu'il faut un tuyau plus gros que l'orifice d'aspiration de la pompe, on **DOIT** poser un raccord réducteur excentré (le côté non oblique en haut) sur l'orifice d'aspiration.
- Si la pompe est plus basse que la source de liquide, poser un robinet d'isolement à passage intégral sur le tuyau d'aspiration pour l'inspection et l'entretien.

AVIS: NE PAS EMPLOYER LE ROBINET D'ISOLEMENT POUR RÉDUIRE LA SECTION DE PASSAGE VERS LA POMPE, CAR CELA POURRAIT DÉSAMORCER LA POMPE, EN CAUSER LA SURCHAUFFE, L'ENDOMMAGER ET ANNULER AINSI LA GARANTIE.

- Lorsque la pompe est plus haute que la source de liquide, on **DOIT** suivre les directives suivantes :

- Afin de prévenir les poches d'air, aucun élément de la tuyauterie d'aspiration ne devrait être plus haut que le raccord d'aspiration de la pompe.
- Donner à la tuyauterie une inclinaison vers le haut à partir de la source de liquide.
- Chaque joint de tuyauterie **DOIT** être étanche.
- Employer un clapet de pied **SEULEMENT** s'il est nécessaire pour amorcer la pompe ou la maintenir amorcée au cours des interruptions de service.
- La section de passage de la crépine ou de la tulipe d'aspiration **DOIT** être au moins le triple de celle du tuyau d'aspiration.
- S'assurer que le diamètre et la hauteur d'immersion de l'entrée du tuyau d'aspiration sont suffisants pour empêcher l'aspiration d'air par vortex (v. fig. 2 à 5).

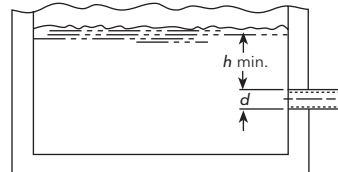


Figure 2

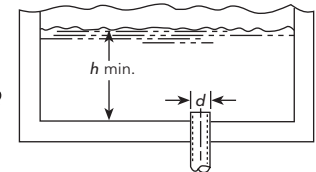


Figure 3

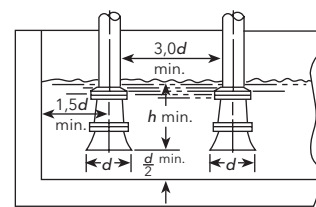


Figure 4

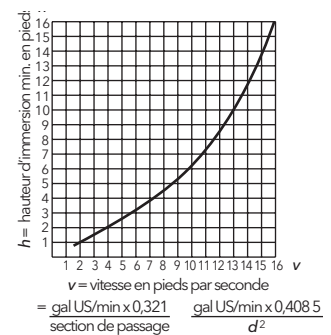


Figure 5

TUYAUTERIE - REFOULEMENT

- Poser un clapet de non-retour convenant au débit et aux liquides pompés. Pour la régularisation du débit ainsi que pour l'inspection et l'entretien de la pompe, installer un robinet-vanne de section de passage appropriée en aval du clapet.
- Lorsqu'un raccord agrandisseur est nécessaire, le poser entre le clapet de non-retour et l'orifice de refoulement de la pompe.

CÂBLAGE ET MISE À LA TERRE



OMETTRE LE VERROUILLAGE DU DISJONCTEUR DU CIRCUIT ÉLECTRIQUE EN POSITION OUVERTE AVANT D'EFFECTUER TOUT TRAVAIL D'ENTRETIEN SUR LA POMPE PEUT CAUSER UN CHOC ÉLECTRIQUE, DES BRÛLURES OU LA MORT.

- Effectuer le câblage et la mise à la terre de la pompe suivant les prescriptions du code provincial ou national de l'électricité.
- N'utiliser que du fil de cuivre torsadé pour la mise à la terre et l'alimentation du moteur. Le calibre du fil **DOIT** limiter la chute de tension maximale, aux bornes du moteur, à 10 % de la valeur de tension indiquée sur la plaque signalétique du moteur. Les chutes de tension excessives peuvent altérer les performances et annuler la garantie du moteur.
- Les moteurs monophasés fournis par Goulds comportent des protections contre les surcharges thermiques. Les moteurs qui n'en sont pas munis **DOIVENT** posséder un contacteur et une protection contre la surcharge appropriés à la charge électrique. L'emploi de fusibles est admissible.

- Les moteurs triphasés doivent être munis d'une protection tout conducteur contre les surcharges thermiques et d'un démarreur magnétique appropriés à la charge électrique.

AVIS: LA ROTATION EST EN SENS HORAIRE, VUE DE L'EXTRÉMITÉ DU MOTEUR. LA ROTATION DANS LE MAUVAIS SENS PEUT ENDOMMAGER LA POMPE ET ANNULE LA GARANTIE.

• Moteurs triphasés **SEULEMENT**

Vérifier le sens de rotation de la pompe: **DÉMARRER** et **ARRÊTER** celle-ci immédiatement tout en observant le sens de rotation. Si la pompe tourne dans le mauvais sens, demander à un électricien d'invertir deux des trois conducteurs d'alimentation de la pompe.

ALIGNEMENT DES ARBRES - MOTEUR ET POMPE

- Une fois l'installation de la plaque de base (pompe montée sur palier) terminée, on **DOIT** vérifier l'alignement des arbres de moteur et de pompe (v. fig. 6), puis reposer la pièce d'écartement de l'accouplement.
- Avant de vérifier l'alignement, s'assurer que les boulons d'ancrage de la plaque de base et de fixation du moteur et de la pompe sont bien serrés.
- Si un alignement est nécessaire, on doit **TOUJOURS** déplacer seulement le moteur. Employer des cales au besoin.

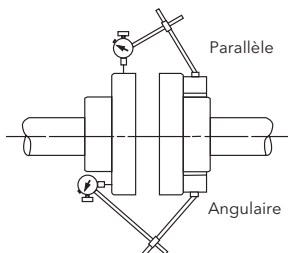


Figure 6

- Pour vérifier l'alignement **PARALLÈLE**, fixer au moyeu d'un demi-accouplement un comparateur à cadran, dont on déplace le curseur de 360° le long de la périphérie de l'autre demi-accouplement tout en notant l'écart indiqué par l'aiguille du comparateur. L'alignement est correct si le faux-rond total est de 0,13 mm (0,005 po) ou moins.
- Pour vérifier l'alignement **ANGULAIRE**, fixer au moyeu d'un demi-accouplement un comparateur à cadran, dont on déplace le curseur de 360° le long du plateau de l'autre demi-accouplement tout en notant l'écart indiqué par l'aiguille du comparateur. L'alignement est correct si le faux-rond total est de 0,13 mm (0,005 po) ou moins.
- L'alignement est correct quant il est conforme aux exigences sur l'alignement parallèle et angulaire après le serrage des boulons de fixation du moteur.

AVIS: ON DOIT VÉRIFIER LES DEUX TYPES D'ALIGNEMENT APRÈS CHAQUE RÉGLAGE.

UTILISATION



NE PAS FAIRE FONCTIONNER LA POMPE SANS CARTER D'ACCOUPLLEMENT, CAR CELA POURRAIT CAUSER DES BLESSURES GRAVES, VOIRE LA MORT.

AVIS: ON DOIT BIEN AMORCER LA POMPE AVANT DE LA METTRE EN SERVICE.



NE PAS FAIRE FONCTIONNER LA POMPE SI SON DÉBIT EST NUL OU PRESQUE, SINON IL POURRAIT EN RÉ-SULTER UN ÉCHAUFFEMENT EXCESSIF, DES BLESSURES ET DES DOMMAGES MATÉRIELS.

- Faire fonctionner la pompe dans des conditions de service normales, attendre que le système se stabilise, puis vérifier l'alignement de la tuyauterie et de l'accouplement. Au besoin, régler la position des supports de tuyauterie et aligner les arbres selon les directives précitées.

ENTRETIEN

- Les roulements des paliers et des moteurs des groupes monobloc sont graissés à vie. Il est donc impossible et inutile de les graisser.
- Suivre les directives du fabricant du moteur et de l'accouplement pour le graissage.

DÉMONTAGE



OMETTRE LE VERROUILLAGE DU DISJONCTEUR DU CIRCUIT ÉLECTRIQUE EN POSITION OUVERTE AVANT D'EFFECTUER TOUT TRAVAIL D'ENTRETIEN SUR LA POMPE PEUT CAUSER UN CHOC ÉLECTRIQUE, DES BRÛLURES OU LA MORT.



LE CORPS DE POMPE PEUT CONTENIR DES FLUIDES DANGEREUX POUVANT CAUSER DES DOMMAGES MATÉRIELS ET DES BLESSURES GRAVES.

- Vidanger et rincer le système au besoin.
- Dans le cas des pompes montées sur moteur ou sur palier:
 - déposer les boulons de fixation du moteur ou du palier;
 - enlever le carter d'accouplement et la pièce d'écartement de l'accouplement.
- Déposer les 4 vis (370) du corps de pompe, puis, à l'aide de leviers et des fentes du corps de pompe (100), écarter de ce dernier l'ensemble d'entraînement de la roue. Ôter les cales du corps de pompe avec précaution.

AVIS: LE VISSAGE DE LA ROUE SUR L'ARBRE COMPRISE LE RESSORT DE LA GARNITURE MÉCANIQUE. LA ROUE PEUT DONC ÊTRE PROJETÉE PAR LE RESSORT LORSQU'ON LA DÉVISSE.

- Pour enlever la roue (101), on doit en chauffer le moyeu avec un chalumeau au propane pendant environ 30 secondes, puis la dévisser (**SENS ANTIHORAIRE**) tout en immobilisant l'arbre avec un tournevis placé dans la fente ou la croix prévues à cette fin, sous le couvercle d'extrémité du moteur. Vérifier si la roue est usée ou endommagée et la remplacer au besoin. Jeter le joint torique (412A) de la chemise d'arbre.

AVIS: MANIPULER LA ROUE AVEC PRÉCAUTION QUAND ELLE EST CHAUDE.

- Déposer les 4 vis (370H) du logement de garniture, puis tirer le logement pour en extraire l'arbre. Jeter l'élément mobile de la garniture ainsi que le joint torique (513) du logement de garniture. Avec un manche de tournevis de grosseur appropriée, pousser l'élément fixe de la garniture hors du logement, puis jeter l'élément.
- Pour enlever la chemise d'arbre (126), il faut la chauffer uniformément avec une torche au propane et la retirer avec un levier inséré le long du collet d'arbre.

AVIS : MANIPULER LA CHEMISE D'ARBRE AVEC PRÉCAUTION QUAND ELLE EST CHAUDE.

- Pour mettre fin au démontage de la pompe sur moteur, déposer les 4 vis (371) de l'adaptateur de moteur (108), puis l'adaptateur.
- Pour le démontage du palier, enlever les 4 vis (371) de l'adaptateur de palier (108), puis séparer l'adaptateur du palier (228).
- Enlever les 4 vis (370C) du couvercle de palier (109) et le couvercle, en prenant soin de ne pas abîmer le joint à lèvres (139). Vérifier si ce dernier est endommagé et le remplacer au besoin.
- Sortir l'ensemble arbre du palier par le côté moteur.
- Déposer l'anneau élastique (361) et le roulement externe (112) avec précaution pour ne pas endommager l'arbre. Au besoin, déposer aussi le roulement interne (168). Vérifier les roulements et les remplacer s'ils sont usés ou abîmés.
- Examiner le joint à lèvres interne (138) et le replacer au besoin.
- Le démontage est terminé.

REMONTAGE

- Remonter le palier dans l'ordre inverse. Avec une presse et les outils appropriés, pousser les roulements bien en place et à angle droit le long de l'arbre, mais appliquer la pression **SEULEMENT** sur la bague de roulement intérieure.
- Si l'on remplace la chemise d'arbre, on doit coller la chemise neuve à l'arbre avec du Loctite^{MC} n° 243 ou l'équivalent. Suivre les directives du fabricant pour préparer la chemise et l'arbre, puis enduire les surfaces de contact chemise-arbre d'adhésif et poser la chemise sur l'arbre. Enlever l'excès d'adhésif.
- Insérer l'ensemble arbre dans le palier. **NE PAS** abîmer le joint à lèvres interne.
- Poser le couvercle de palier avec ses 4 vis.
- Mettre l'adaptateur de palier en place avec ses 4 vis, la plaque signalétique vers le **HAUT**.
- Inspecter et nettoyer le siège de l'élément fixe de la garniture mécanique (au centre du logement). Enduire le pourtour de l'élément fixe avec un lubrifiant de qualité pour joints toriques. Pousser l'élément fixe à fond et à angle droit dans son siège. Avec un linge propre non pelucheux, enlever tout résidu et excès de lubrifiant du siège. **NE PAS** érafler les surfaces.
- Poser un joint torique neuf sur le logement de garniture, puis insérer l'arbre avec précaution dans le logement et assujettir celui-ci avec ses 4 vis. **NE PAS** endommager l'élément fixe de la garniture mécanique.
- Mettre le joint torique neuf de la chemise d'arbre en place.
- Poser l'élément mobile neuf de la garniture mécanique sur la chemise d'arbre. Mettre de l'apprêt Loctite^{MC} 7649 et laissez sécher, puis du Loctite^{MC} n° 243 sur les filets de l'arbre. Y visser (**SENS HORAIRE**) ensuite la roue et la serrer à 1,7 kgf·m (12 lbf·pi).

- Le jeu de cales (330) permet de maintenir le dégagement de la roue en compensant l'usure de celle-ci ou du corps de pompe. L'épaisseur des cales varie de 0,08-0,64 mm (0,003-0,025 po). L'épaisseur totale des cales posées en usine est de 1,52 mm (0,060 po). Pour que la roue ait le dégagement nominal suggéré de 0,51 mm (0,020 po), procéder comme suit:
 - déterminer l'épaisseur totale des cales permettant à la roue d'effleurer la paroi intérieure du corps de pompe quand la pompe est remontée;
 - y ajouter des cales d'une épaisseur supplémentaire totale de 0,51 mm (0,020 po).
- Une fois le dégagement de la roue réglé, poser le corps de pompe avec ses 4 vis.
- Poser les 4 boulons de fixation du palier (pompe sur palier) ou du moteur (pompe sur moteur).
- S'il s'agit d'une pompe montée sur palier, en vérifier l'alignement suivant la section «**Alignement des arbres - moteur et pompe**» ci-dessus.
- Vérifier s'il y a blocage de la roue et apporter les corrections nécessaires.
- Reposer le carter d'accouplement.
- Le remontage est achevé.

DIAGNOSTIC DES ANOMALIES



OMETTRE LE VERROUILLAGE DU DISJONCTEUR DU CIRCUIT ÉLECTRIQUE EN POSITION OUVERTE AVANT D'EFFECTUER TOUT TRAVAIL D'ENTRETIEN SUR LA POMPE PEUT CAUSER UN CHOC ÉLECTRIQUE, DES BRÛLURES OU LA MORT.

ANOMALIE

NON-FONCTIONNEMENT DU MOTEUR

(V. causes probables 1 à 5)

DÉBIT DE REFOULEMENT FAIBLE OU NUL

(V. causes probables 6 à 13)

CONSOMMATION D'ÉNERGIE EXCESSIVE

(V. causes probables 3, 13, 14, 15 et 18)

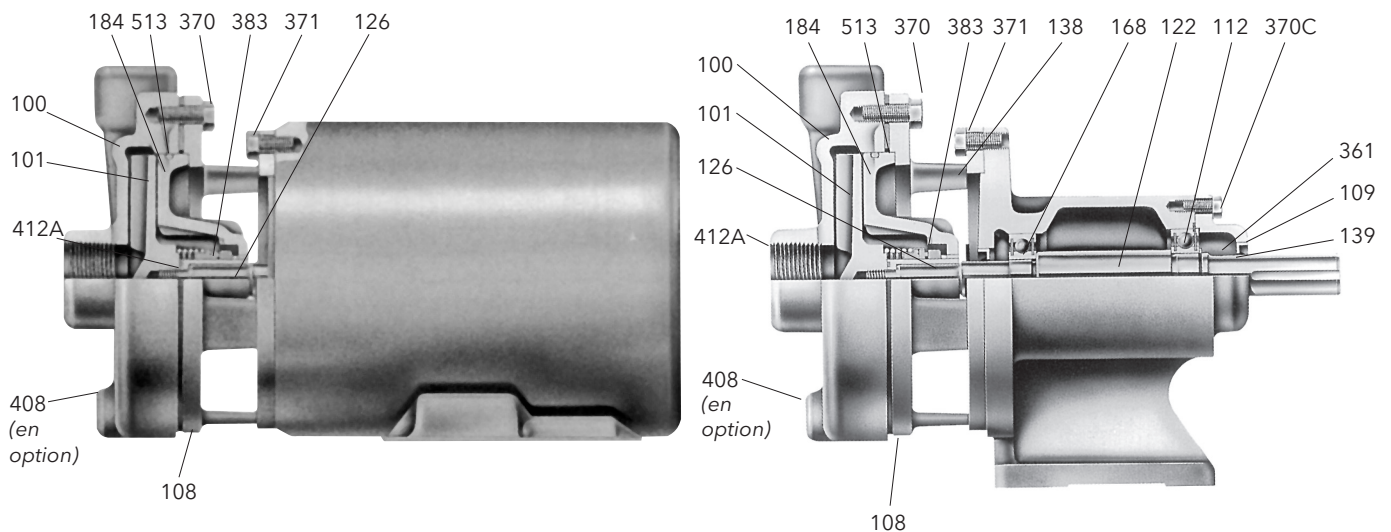
VIBRATION ET BRUIT EXCESSIFS

(V. causes probables 3, 6, 7, 8, 10, 12, 14, 16, 17 et 18)

CAUSE PROBABLE

1. Protecteur thermique du moteur déclenché
2. Disjoncteur ouvert ou fusible sauté
3. Roue bloquée
4. Moteur mal connecté
5. Moteur défectueux
6. Pompe non amorcée, air ou gaz présent dans le liquide pompé
7. Tuyau d'aspiration ou de refoulement obstrué ou robinet fermé
8. Mauvais sens de rotation (moteurs triphasés seulement)
9. Basse tension électrique ou perte de phase
10. Roue usée ou engorgée
11. Hauteur de charge du système trop élevée
12. Hauteur nette d'aspiration disponible (NPSHA) trop faible : hauteur ou perte d'aspiration excessives
13. Diamètre de roue inapproprié
14. Hauteur de refoulement trop faible : débit excessif
15. Viscosité ou densité trop élevées
16. Roulement(s) usé(s)
17. Pompe, moteur ou tuyauterie mal assujettis
18. Arbres de pompe et de moteur désalignés

ICS ET ICS-F - VUES EN COUPE



LISTE DE PIÈCES ET MATÉRIAUX

COMPOSANTS DE LA TÊTE DE POMPAGE

N° d'article	Quantité/pompe	Nom de pièce	Matériau
100	1	Corps de pompe - 1 x 1¼ - 5	Alliage ASTM A744, nuance CF-8M
	1	Corps de pompe - 1¼ x 1½ - 5	Alliage ASTM A744, nuance CF-8M
101	1	Roue	Alliage ASTM A744, nuance CF-8M
126	1	Chemise d'arbre	Inox ASTM A276, type 316
184	1	Logement de garniture mécanique	Alliage ASTM A744, nuance CF-8M
330*	1	Jeux de cales	Mylar
370	4	Vis à tête hex. (adaptateur-corps de pompe)	Inox ASTM A276, type 304
370H*	4	Vis à tête hex. (adapt.-logem. de garn. méc.)	Inox ASTM A276, type 304
383	1	Garniture mécanique standard	Carbone, céramique, viton
		Garniture mécanique en option	Carbone, Sil car, E-P①
412A	1	Joint torique (chemise d'arbre)	Viton
513	1	Joint torique (logement de garniture méc.)	Viton

*Non montrés

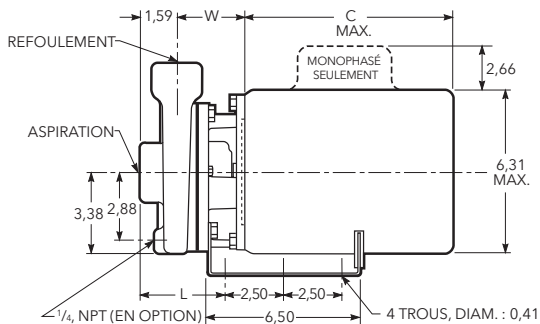
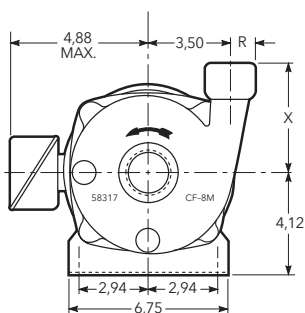
① Éthylène-propylène

COMPOSANTS DU PALIER

N° d'article	Quantité/pompe	Nom de pièce	Matériau
108	1	Adaptateur de moteur ou de palier	Fonte ASTM A48
109	1	Couvercle de palier	Fonte ASTM A48
112	1	Roulement à billes externe	Acier ASTM A108
122	1	Arbre de pompe	Inox ASTM A276, type 303
168	1	Roulement à billes interne	Acier ASTM A108
361	1	Anneau élastique (roulement externe)	Acier ASTM A108
228	1	Palier	Fonte ASTM A48
138	1	Joint à lèvres interne	Buna-N et acier ASTM A108
139	1	Joint à lèvres externe	Buna-N et acier ASTM A108
370C	4	Vis à tête hex. (palier-couvercle de palier)	Acier ASTM A108
371	4	Vis à tête hex. (adapt.-moteur, adapt.-palier)	Inox ASTM A276, type 304

ICS - DONNÉES TECHNIQUES

1/2 - 2 hp



Dimensions et poids - pompe

Pompe	Aspir., NPT	Re foul., NPT	L	R	W	X	Poids* max.
1 x 1¼-5	1¼	1	3,75	0,94	3,01	4,62	17
1¼ x 1½-5	1½	1¼	3,62	1,06	2,88	4,56	17

NOTA :

1. L'orifice de refoulement est orienté vers le haut. Pour l'orienter autrement, enlever les vis de fixation de 3/8 po du corps de pompe, placer l'orifice dans le sens voulu, puis reposer et serrer les vis à 24 lbf-pi.
2. Les dimensions sont en pouces, et le poids, en livres.
3. Ne pas utiliser les dimensions pour la construction si elles ne sont pas certifiées à cette effet.
4. Les dimensions et le poids du moteur peuvent varier selon le fabricant.

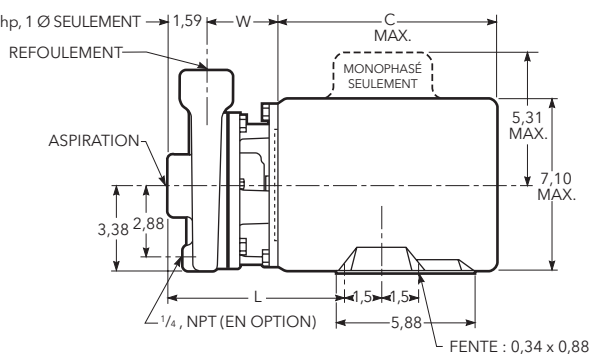
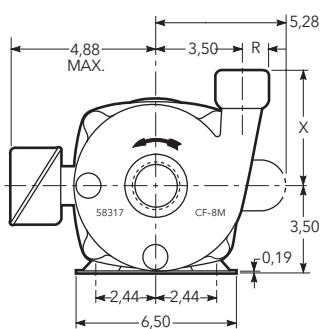
*Le poids est celui de la tête de pompage seulement. Pour le poids du groupe de pompage, ajouter le poids du moteur.

Dimensions et poids - moteur

hp	Poids						C max.
	1 Ø			3 Ø			
	ODP	TEFC	EXP	ODP	TEFC	EXP	
½	16	21	47	19	18	27	9 15/16
¾	19	24	41	21	21	30	10 ¼
1	22	26	49	23	21	30	11
1½	28	35	56	27	27	37	11 15/16
2	33	39	60	32	33	44	12 1/16

ODP = abrité (à ouvertures de ventilation protégées); TEFC = fermé autoventilé;
EXP = antidéflagrant.

3 hp seulement



Dimensions et poids - pompe

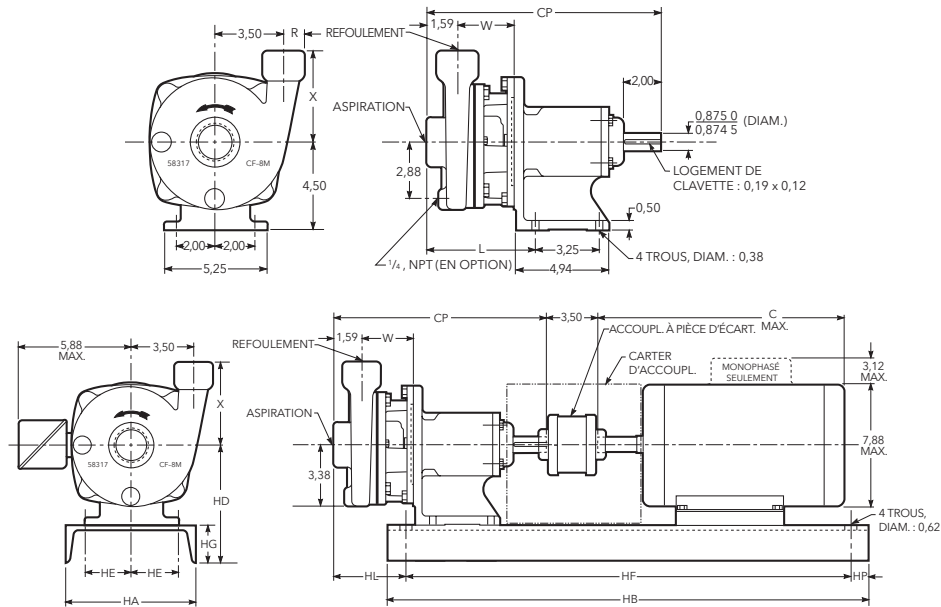
Pompe	Aspir., NPT	Re foul., NPT	L	R	W	X	Poids* max.
1 x 1¼-5	1¼	1	7,35	0,94	3,01	4,62	17
1¼ x 1½-5	1½	1¼	7,22	1,06	2,88	4,56	17

Dimensions et poids - moteur

hp	Poids					C max.
	1 Ø		3 Ø		X-Proof	
	ODP	TEFC	ODP	TEFC		
3	40	45	42	37		13,34

ODP = abrité (à ouvertures de ventilation protégées); TEFC = fermé autoventilé;
X-Proof = antidéflagrant.

ICS-F - DONNÉES TECHNIQUES



Dimensions et poids - pompe

Pompe	Aspiration, NPT	Refolement, NPT	CP	L	R	W	X	Poids max.	Carcasse de moteur HL		
									56	140	180
1 x 1¼-5	1¼	1	12,16	5,73	0,94	3,01	4,62	38	5,73	3,85	
1¼ x 1½-5	1½	1¼	12,03	5,60	1,06	2,88	4,56	38	5,60	3,72	

NOTA:

1. L'orifice de refolement est orienté vers le haut. Pour l'orienter autrement, enlever les vis de fixation de 3/8 po du corps de pompe, placer l'orifice dans le sens voulu, puis reposer et serrer les vis à 24 lbf-pi.

2. Les dimensions sont en pouces, et le poids, en livres.

3. Ne pas utiliser les dimensions pour la construction si elles ne sont pas certifiées à cette effet.

4. Les dimensions et le poids du moteur peuvent varier selon le fabricant.

Dimensions et poids - moteur et plaque de base

Carcasse de moteur	HA	HB	HD	HE	HF	HG	HP	Poids max.	Cales	hp à 3 500 r/min				Poids max.	C max.	
										1 Ø		3 Ø				
										ODP	TEFC	ODP	TEFC			
56	8	26	6,87	3,12	22,38	2,38	1,00	30	1,00	1/2 - 1 1/2	1/2 - 1 1/2	1/2 - 1	1/2 - 1	45	13	
143T											1 1/2	1 1/2	45			13,38
145T										2	2	2-3				
182T	10	7,25	3,75	24	2,75	0,88	43	3	3	5	3	63		16,62		
184T								5	5		5		112		18,12	

ODP = carcasse abritée (à ouvertures de ventilation protégées); TEFC = carcasse fermée autoventilée.

NOTES

NOTES

GARANTIE POUR UTILISATION COMMERCIALE

Pour les biens vendus aux acheteurs commerciaux, le vendeur garantit les biens vendus ci-dessous (sauf pour les membranes, joints d'étanchéités, joints, matériaux en élastomère, revêtements et autres « pièces d'usure » ou articles consommables, ces derniers n'étant pas garantis sauf indication contraire sur le formulaire de soumission ou de vente) seront (i) intégrés selon les spécifications indiquées sur la soumission ou le formulaire de vente, si ces spécifications font partie intégrantes de cette entente, et (ii) sont libres de toute défectuosité matériel et de fabrication pendant une période de un (1) an depuis la date d'installation ou douze (12) mois depuis la date d'expédition (la date d'expédition ne sera pas ultérieure à dix-huit (18) mois après la réception de l'avis que les biens sont prêts à être expédiés), la première instance à survenir, à moins qu'une période plus longue n'ait été indiquée sur la documentation du produit (la « Garantie »).

Sauf mention contraire dans les lois, le vendeur, à son choix et sans frais pour l'acheteur, réparera ou remplacera tout produit défectueux en vertu de la garantie pour autant que l'acheteur donne un avis écrit au vendeur de toutes défectuosités matérielles ou de main d'oeuvre dans les dix (10) jours de la première occurrence d'un défaut ou non conformité. En vertu de l'option de réparation ou de remplacement, le vendeur n'est soumis à aucune obligation de retirer ou de faire retirer le produit défectueux ni d'installer ou de payer pour l'installation du produit réparé ou remplacé. L'acheteur ne peut être tenu responsable de tout autre frais, incluant, entre autre, frais de réparation, d'expéditions et dépenses. Le vendeur à son entière discrétion choisira la méthode ou le moyen de réparation ou de remplacement. Le défaut de l'acheteur de se conformer aux directives de réparation ou de remplacement du vendeur conclura les obligations du vendeur en vertu de la présente garantie et annulera la garantie. Toutes pièces réparées ou remplacées en vertu de la garantie seront couvertes uniquement pour la durée de la garantie restante sur les pièces ayant été réparées ou remplacées. Le vendeur n'aura aucune obligation de garantie envers l'acheteur pour tout produit ou pièces du produit ayant été : (a) réparées par une tierce partie autre que le vendeur ou sans l'approbation écrite du vendeur; (b) soumises à une mauvaise utilisation, mauvaise application, négligence, altération, accident ou dommage physique; (c) utilisées de manière contraire aux directives d'installation, d'opération et d'entretien du vendeur; (d) endommagées par une usure normale, corrosion ou produits chimiques; (e) endommagées par des conditions anormales, vibrations, défaut d'une amorce adéquate ou opération sans débit; (f) endommagées par une alimentation électrique défectueuse ou une mauvaise protection électrique; ou (g) endommagées par l'utilisation d'un accessoire n'ayant pas été vendu ou approuvé par le vendeur. Dans le cas de produits n'ayant pas été fabriqués par le vendeur, ce dernier n'offre aucune garantie; cependant le vendeur fera profiter l'acheteur de toute garantie qu'il aura reçu du fournisseur de tels produits.

LA PRÉSENTE GARANTIE EST EXCLUSIVE ET REMPLACE TOUTE AUTRE GARANTIE OU CONDITIONS EXPRESSES OU IMPLICITES DE QUELQUE NATURE SE RAPPORTANT AUX BIENS FOURNIS CI-APRÈS, INCLUSANT, SANS LIMITE, TOUTE GARANTIE IMPLICITE DE QUALITÉ MARCHANDE ET DE CONFORMITÉ À DES FINS PARTICULIÈRES, QUI SONT RÉFUTÉES EXPRESSÉMENT ET EXLUES. SAUF MENTION CONTRAIRE DANS LES LOIS, LE SEUL RECOURS DE L'ACHETEUR ET LA RESPONSABILITÉ DU VENDEUR EN CAS DE BRIS D'UNE DES GARANTIES CI-APRÈS EST LIMITÉ À LA RÉPARATION OU AU REMPLACEMENT DU PRODUIT ET SERA DANS TOUS LES CAS LIMITÉ AU MONTANT PAYÉ PAR L'ACHETEUR POUR LE PRODUIT DÉFECTUEUX. EN AUCUN CAS, LE VENDEUR NE POURRA ÊTRE TENU RESPONSABLE DE TOUTES AUTRES FORMES DE DOMMAGES, QU'IL SOIT DIRECT, INDIRECT, LIQUIDÉ, ACCIDENTEL, CONSÉCUTIF, PUNITIF, EXEMPLAIRE OU DOMMAGES SPÉCIAUX, INCLUANT, ENTRE AUTRES, PERTE DE PROFIT, PERTE D'ÉCONOMIE PRÉVUE OU DE REVENU, PERTE DE RENTRÉE MONÉTAIRE, PERTE DE CLIENTÈLE, PERTE DE PRODUCTION, PERTE D'OPPORTUNITÉ OU PERTE DE RÉPUTATION.



Xylem Inc.

2881 East Bayard Street Ext., Suite A,
Seneca Falls, NY 13148

Téléphone: (800) 453-6777 Télécopie: (888) 322-5877

www.xylem.com/goulds

Xylem is a trademark of Xylem Inc.

Goulds est une marque déposée de Goulds Pumps, Inc. et est utilisé sous le permis.

© 2022 Xylem Inc. IM011 Révision numéro 7 Mai 2022