

**FEATURES****A10-30, 3" X 4" RAIL SYSTEM:**

Connects to any pump with a 3", 150# ANSI flanged discharge. Outlet is a 4" flanged discharge.

A10-40, 4" X 4" RAIL SYSTEM:

Connects to any pump with a 4", 150# ANSI flanged discharge. Outlet is a 4" flanged discharge.

A10-60, 4" X 6" RAIL SYSTEM:

Connects to any pump with a 4", 150# ANSI flanged discharge. Outlet is a 6" flanged discharge.

ALL MODELS:

Cast iron construction for standard applications.

Optional brass pump adapter for applications requiring a non-sparking disconnect.

Standard kit contains a Base, a Pump Adapter with all required bolts and fittings and the Upper Guide Rail Positioning Bracket.

Optional intermediate guide rail brackets are available in either steel or brass for non-sparking applications.

Guide rails are not supplied - they may be sourced locally - 2" stainless steel guide rails recommended.

Spare pump adapter kits are available for those who want a back-up pump/adapter ready for an emergency quick change.

GUIDE RAIL SYSTEMS

EFFLUENT AND SEWAGE



CentriPro
a xylem brand

3" AND 4" DISCHARGE GUIDE RAIL SYSTEM

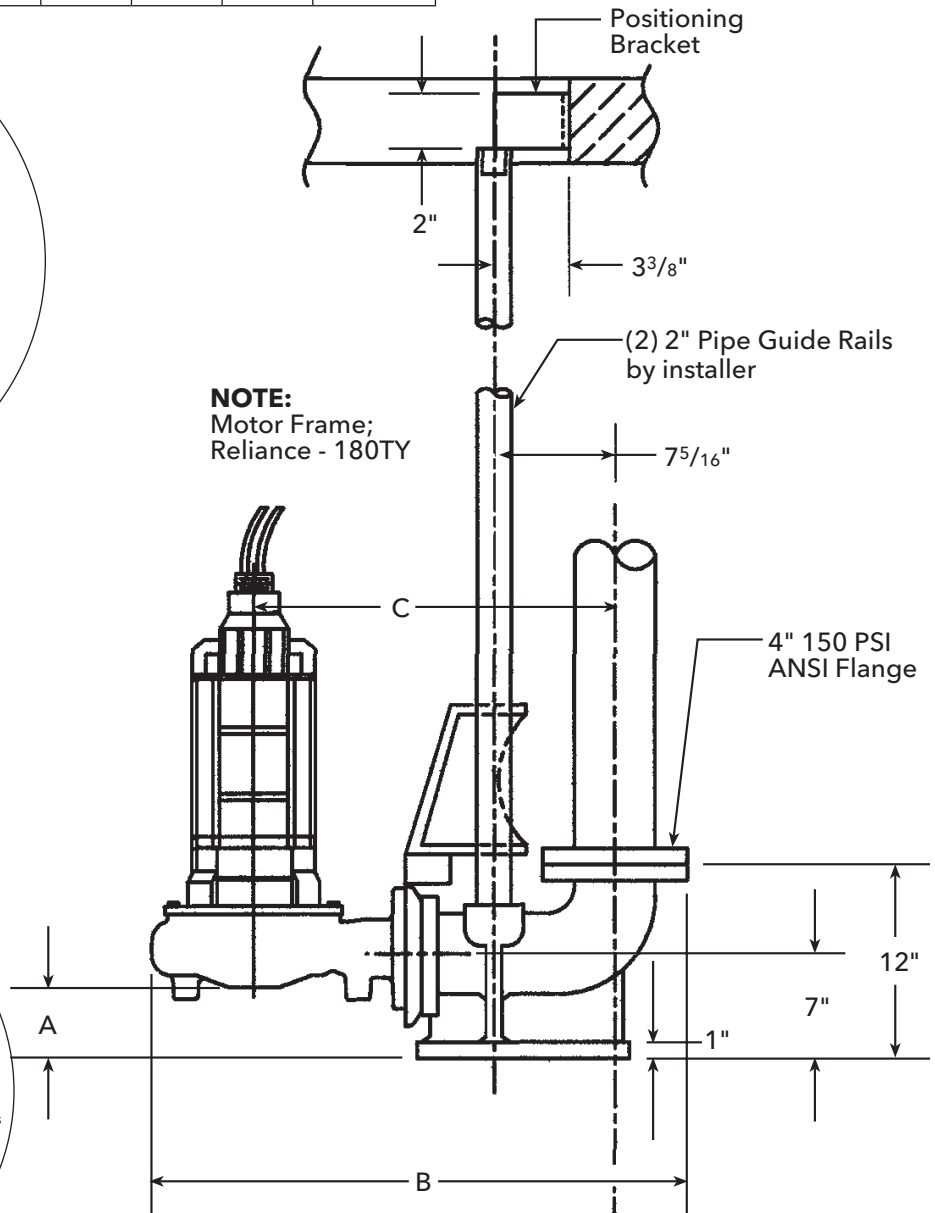
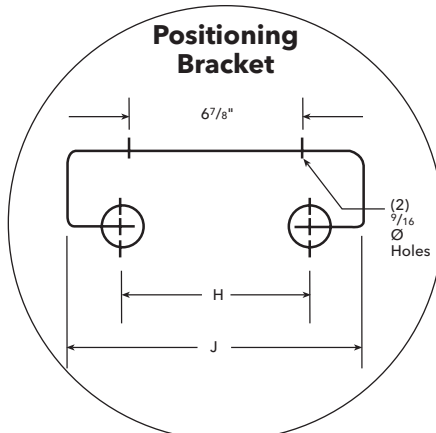
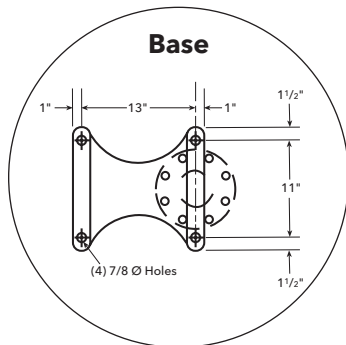
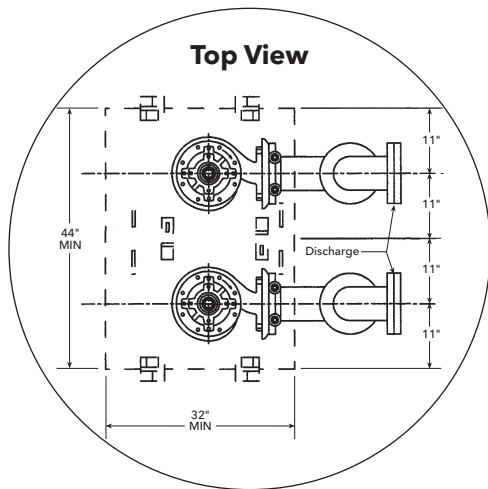
- Heavy duty cast iron construction.
- Twin guide rails provide positive alignment with base.
- No sealing devices required - pump weight provides sufficient force for proper seal.
- Self cleaning design. When pump flange engages base, the shearing action wipes the sealing surfaces clean.

System Components Include:

- Base with integral cast elbow.
- Pump adapter - guide assembly with fasteners.
- Upper guide rail positioning bracket. Carbon steel bracket available as an option in stainless steel.

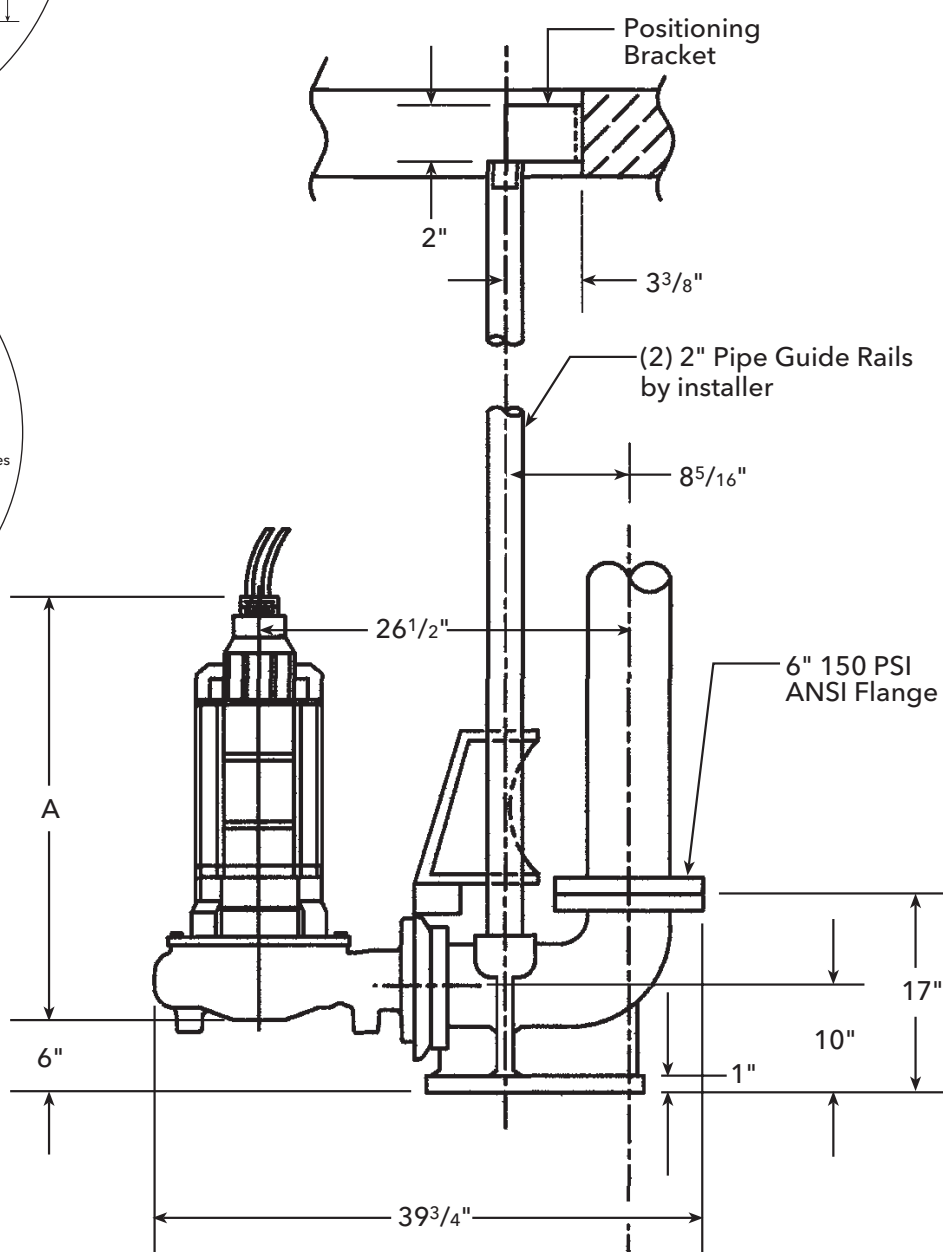
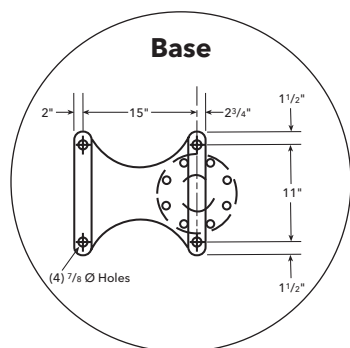
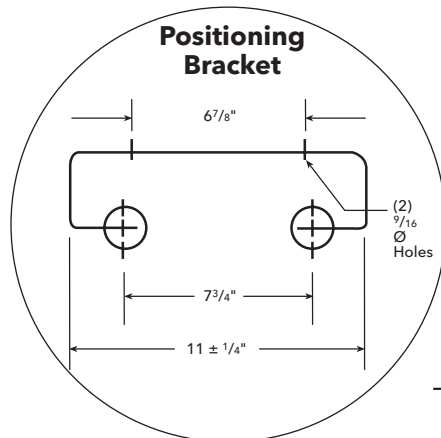
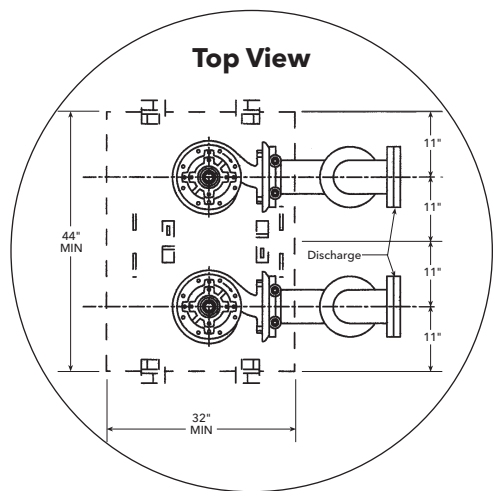
NOTE: Guide rails not furnished by CentriPro. Lifting chains and bails ordered separately. Intermediate bracket available as seen on page 4 for pits over 11 feet.

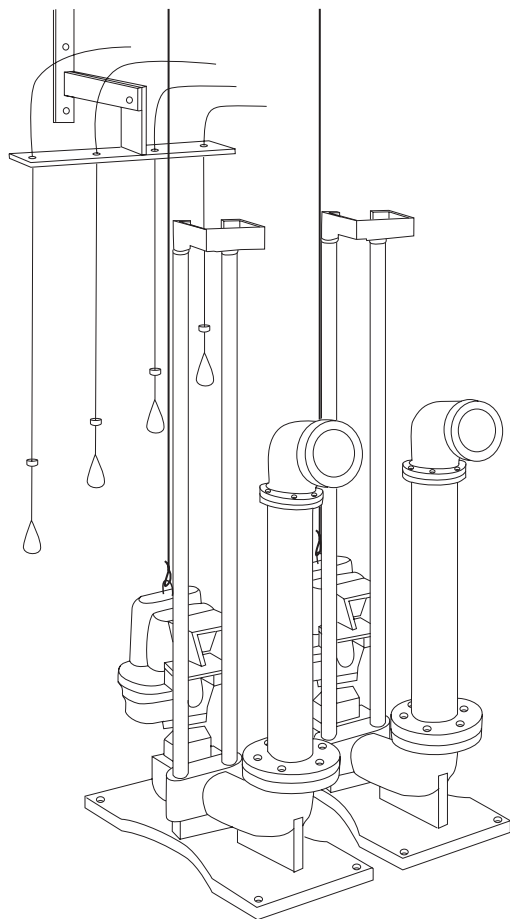
| Pump Discharge | Part Number | A | B Max. | C | H | J | Weight |
|----------------|-------------|---------------------------------|--------------------------------|-----|----|------|----------|
| 3" | A10-30 | 4 ⁹ / ₁₆ | 33 ³ / ₈ | 22½ | 6¾ | 11±¼ | 170 lbs. |
| 4" | A10-40 | 3 ¹³ / ₁₆ | 34¼ | 23 | 7¾ | 12±¼ | 185 lbs. |



4" DISCHARGE GUIDE RAIL SYSTEM

| Frame | Pump Discharge | Part Number | A | Weight |
|-------|----------------|-------------|----------------------------------|----------|
| 210 | 4" | A10-60 | 37 ³ / ₄ " | 185 lbs. |
| 250 | 4" | A10-60 | 43 ¹ / ₈ " | 185 lbs. |





PUMP ADAPTER KITS

1K340 - for A10-30 iron
 1K341 - for A10-40 / A10-60 iron
 1K447 - for A10-30B brass
 1K448 - for A10-40B / A10-60B brass

Part numbers are for repairs, component is included in the A10-30, 40 accessory.

INTERMEDIATE GUIDE RAIL BRACKET

| | |
|-----------------------------|-------|
| A10-30 (B) standard | 4K436 |
| A10-40 (B), 60 (B) standard | 4K437 |
| A10-30 304 SS | 4K631 |
| A10-40 304 SS | 4K632 |

Used on pits over 11 feet for extra support.
 Must be purchased separately.

MINIMUM BASIN DIAMETER

| | Minimum | Recommended |
|---------|---------|-------------|
| Simplex | 36" | 42" |
| Duplex | 48" | 60" |

| Pump Discharge Size | Order Number | ANSI Flanged Discharge Size | Material of Positioning Bracket | Used On These Pumps |
|---------------------|--------------|-----------------------------|---------------------------------|--|
| 3" | A10-30 | 4" 150 lb. ANSI | Carbon Steel | 3WDA, 3DWS, 3WS, 3888D3, 3SD 3GV, 3MV, 3MK |
| 3" | A10-30SS | | Stainless Steel | |
| 4" | A10-40 | | Carbon Steel | |
| 4" | A10-40SS | 6" 150 lb. ANSI | Stainless Steel | 4WDA, 4DWS, 4DWN, 4WS, 3888D4, 4SD, 4NS 4GV, 4MV, 4MK |
| 4" | A10-40SS | | | |
| 4" | A10-60SS | | | |
| 3" XP | A10-30B | 4" 150 lb. ANSI | Carbon Steel | 3XWC, 3SDX, 3GVX, 3MVX, 3MKX |
| 4" XP | A10-40B | | | 4XWC, 4XWN, 4SDX, 4GVX, 4MVX, 4MKX |
| 4" XP | A10-60B | | | 4XWC, 4XWN, 4XD, 4SDX, 4GVX, 4MVX, 4MKX |

* For 6MK units, see Conery base elbow CBE6060.

xylem
 Let's Solve Water

Xylem Inc.
 2881 East Bayard Street Ext., Suite A
 Seneca Falls, NY 13148
 Phone: (866) 325-4210
 Fax: (888) 322-5877
 www.centripro.com

CentriPro is a trademark of Xylem Inc. or one of its subsidiaries.
 © 2015 Xylem Inc. BCPCGR13 October 2015