



GV PLUS

- NON-CLOGGING DESIGN • DUAL SEAL WITH SEAL SENSOR PROBE

BR234GV

 **GOULDS**
WATER TECHNOLOGY
a xylem brand

Goulds Water Technology

Submersible Vortex Sewage Pumps

The Goulds Water Technology line of GV Plus submersible vortex sewage pumps is designed for maximum durability and reliability for building services applications. They feature a vortex style dynamically balanced impeller, dual mechanical seal and float leakage sensor. The pumps are designed for continuous operation when fully submerged and are capable of running dry without damage to components.

All GV Plus Models Feature:

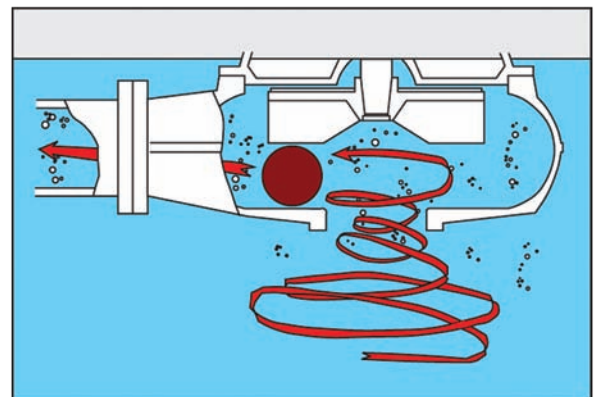
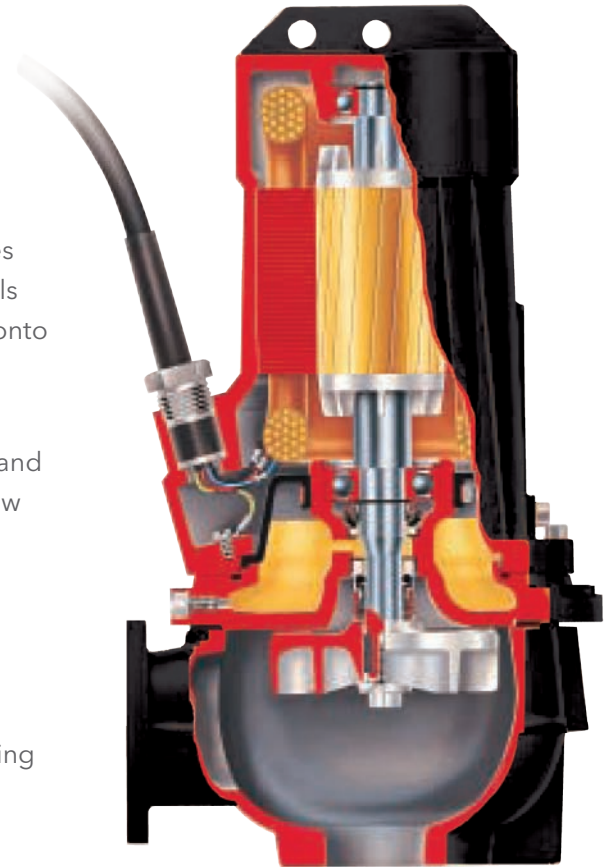
- **Cast Iron:** Vortex style, dynamically balanced with rip vane for mechanical seal protection.
- **Dual Mechanical Seals:** Tungsten Carbide vs. Ceramic outer seal and ceramic vs. carbon inner seal, stainless steel metal parts, BUNA-N elastomers. Upper and lower shaft seals are positioned independently and are separated by an oil-filled chamber.
- **Float Leakage Sensor:** Located in Motor Housing. If pumpage should begin to leak past lower seal it indicates to pump control panel a fault has occurred. Requires Minicas™ in the control panel. Device also controls on winding over temperature shut down.
- **Shaft:** Corrosion resistant, 400 series stainless steel.
- **Fasteners:** 300 series stainless steel.

Non-Clogging Vortex Pumps

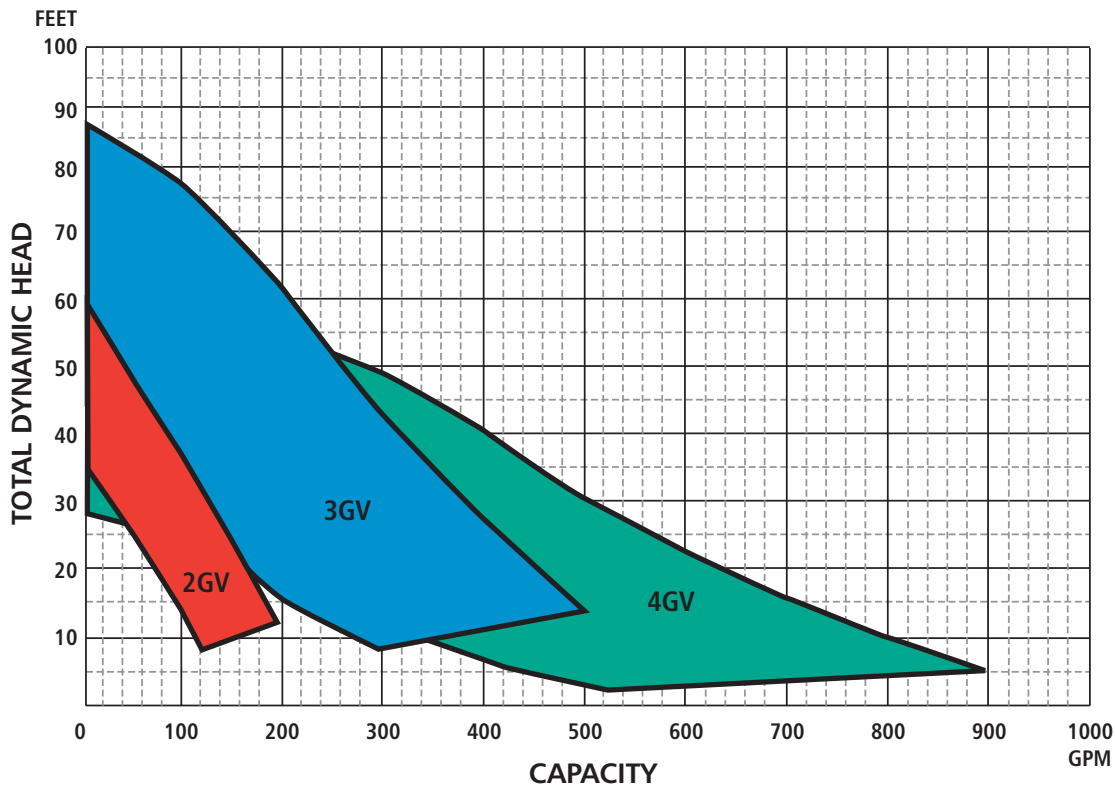
Vortex pumps are designed for long-term, constant high performance. The impeller runs freely in the volute and does not require adjustments eliminating the risk of jamming and low performance. Trouble free operation is guaranteed and maintenance is reduced to a minimum.

Benefits:

- **Vortex Non-clog design:** The recessed vortex impeller leaves a wide unobstructed passage through the volute in which a strong vortex is created that carries most of the solids. Blockages are rare, even when pumping fibrous materials as these materials are thrown away from the radial blade edges and cannot hook onto the impeller.
- **Larger solids - heavy sludges:** The strong vortex is not confined to the volute, but also spreads to the surrounding water. Heavy and large solids are not left behind, but pumped out, even at low flow conditions. This keeps sumps cleaner and greatly reduces cost for cleaning of the sump. Heavy sludges are stirred into a pumpable mixture.
- **Constant performance:** Vortex pumps are subject to minimal wear as most solids pass in front of the impeller without even touching it. Wear will have limited effect on performance, resulting in constant high performance over a long period. The Vortex impeller generates low vibration levels extending bearing life.
- **Low maintenance:** The absence of narrow clearances eliminates jamming problems and avoids sudden drops in performance and efficiency. This ensures reliable and trouble free operation with minimum maintenance and cost.



GV Plus Sewage Pump Family



We manufacture professional grade pumps, controls and accessories for commercial and residential sump, effluent and wastewater applications. Our nationwide distribution and U.S.-based manufacturing facilities can get you the products you need quickly. Backed by over 160 years in the pump business and the Goulds Water Technology customer support and service that is second to none.

Goulds Water Technology is a global leader in the water technologies market. The Goulds Water Technology' product portfolio includes submersible and line shaft turbine, 4" submersible, jet, wastewater and centrifugal pumps for residential, agriculture and irrigation, sewage and drainage, building services, commercial and light industrial use.

For more information visit www.xylem.com/brands/gouldswatertechnology



Xylem Inc.
2881 East Bayard Street
Seneca Falls, NY 13148
Phone: (866) 325-4210
Fax: (888) 322-5877
www.xylem.com/brands/gouldswatertechnology

Goulds is a registered trademark of Goulds Pumps, Inc. and is used under license.
© 2011 Xylem Inc. BR234GV November 2011