

# GSP Cast Iron Family

1/3 AND 1/2 SUMP & EFFLUENT PUMPS



## Stamped with Reliability

### FEATURES & BENEFITS

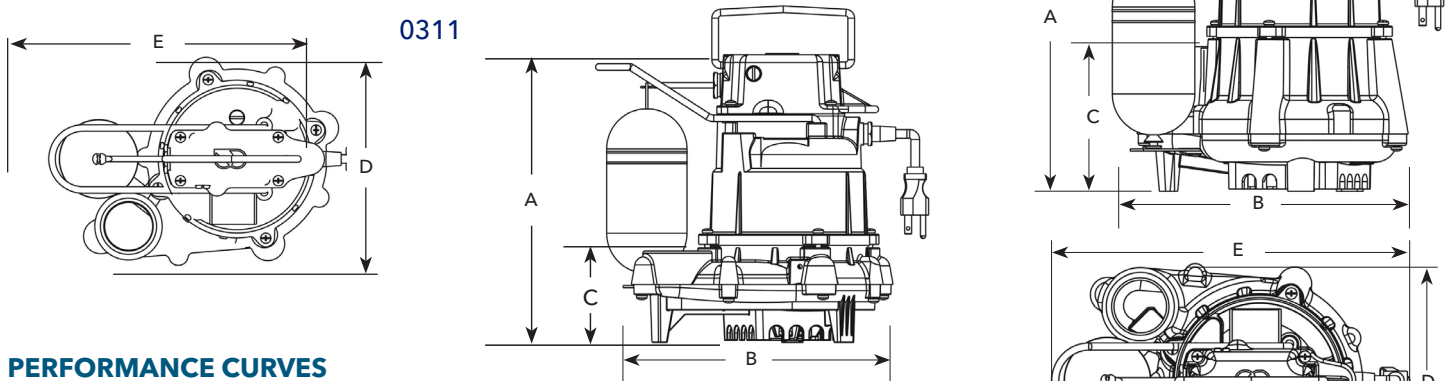
- A state-of-the-art, long-life, easy-to-replace switch that outperforms every other switch available today.
- All GSP pumps have a robust construction designed to deliver performance.
- A variety of models are available with 9', 15' and 25' power cord lengths.
- Premium silicon carbide/silicon carbide seals come standard on all GSP models.
- Combining these features, along with the industry-standard features makes the GSP family of sumps a family that refuses to give up, kind of like the innovators at Goulds Water Technology, the company with the iron-clad reputation.

Goulds Water Technology proudly offers the Family of GSP pumps, arguably the world's most durable 1/3 & 1/2 HP cast iron sump pumps.

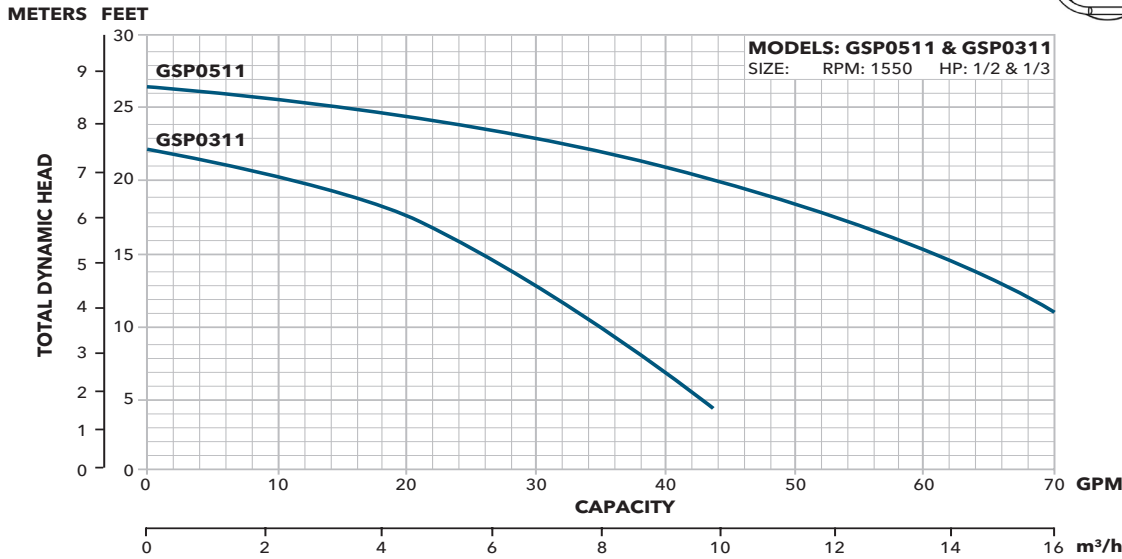
The Goulds Water Technology signature waterdrop symbol stamped on the top of every GSP pump is just one way we differentiate ourselves from the competitors and ensures that our customers are receiving only the best the industry has to offer.

## DIMENSIONS

	A	B	C	D	E
GSP0311	10.2"	11.8"	3.25"	7.5"	11.8"
GSP0311M	10.2"	10.4"	3.25"	7.5"	10.4"
GSP0511	12"	10.6"	5"	7.4"	10.6"
GSP0511M	12"	9.4"	5"	7.4"	9.4"




## PERFORMANCE CURVES



## PRODUCT SPECIFICATIONS

Model	Part No.	HP	Volts	Amps	Minimum Circuit Breaker	Phase	Float Switch Style	Cord Length	Discharge Connection	Minimum On Level	Minimum off Level	Minimum Basin Diameter	Max. Solids Size	Shipping Weight
GSP	GSP0511	1/2	115	8	15A	1	Vertical	15'	1 1/2"	8 1/2"	3"	1'	1/2"	38 lbs
GSP	GSP0511M	1/2	115	8	15A	1	Not Supplied	15'	1 1/2"	-	-	1'	1/2"	37 lbs
GSP	GSP0311	1/3	115	10	15A	1	Vertical	9'	1 1/2"	7 1/4"	3 1/2"	1'	1/2"	27 lbs
GSP	GSP0311M	1/3	115	10	15A	1	Not Supplied	9'	1 1/2"	-	-	1'	1/2"	27 lbs
GSP	GSP0311-25	1/3	115	10	15A	1	Vertical	25'	1 1/2"	7 1/4"	3 1/2"	1'	1/2"	28 lbs

## AGENCY LISTINGS

 Tested to UL778 CAN 22.2 by  
 CSA International (Canadian Standards Association)

 **xylem**  
 Let's Solve Water

Xylem Inc.  
 2881 East Bayard Street Ext., Suite A  
 Seneca Falls, NY 13148  
 Phone: (866) 325-4210 • Fax: (888) 322-5877  
[www.xylem.com/goulds](http://www.xylem.com/goulds)

Xylem is a registered trademark of Xylem Inc. or one of its subsidiaries. Goulds is a registered trademark of ITT Manufacturing Enterprises LLC and is used under license. All other trademarks or registered trademarks are property of their respective owners.

© 2023 Xylem Inc. GSPCOMBSALES R2 March 2023