

GFE Series

CAST IRON EFFLUENT PUMP



FEATURES

- Cast iron motor housing allowing for optimal heat dissipation
- Premium mechanical seal design provides superior protection against sand and abrasive damage (Silicon Carbide/Silicon Carbide/BUNA)
- Engineered motor designed for peak hydraulic performance without overloading
- Durable cast iron base for stability
- Cast iron impeller with dual vanes. Balanced for smooth operation. ($\frac{3}{4}$ HP, high head is glass reinforced thermoplastic.)
- Corrosion resistant hardware for lifetime use
- Capable of running dry without damage to components
- Designed for continuous operation when fully submerged
- All models have NEMA three prong grounding plugs
- Available in automatic and manual models
- Approved for residential use (CSA/CUS Listed)
- 3 year warranty

APPLICATIONS

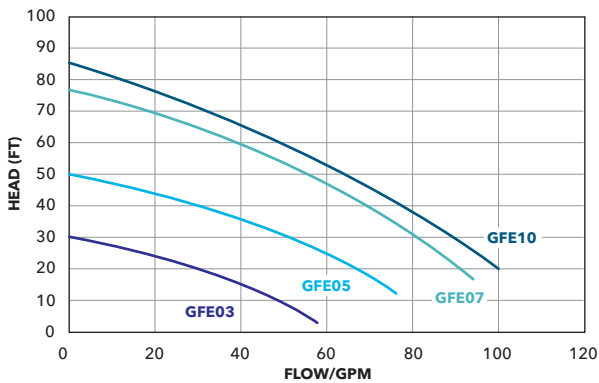
Specifically designed for the following uses:

- Homes
- Farms
- Trailer courts
- Motels
- Schools
- Hospitals
- Small business
- Effluent systems

PRODUCT SPECIFICATIONS

Part No.	HP	Volts	Max. Amps	Locked Rotor Amps	Min. Circuit Breaker	Phase	RPM	Impeller Diameter (in.)	Float Switch Style	Cord Length (ft.)	Power Cable Size	Discharge Connection (in.)	Max. Solids Size	Shipping Weight (lbs.)
GFE0311	1/3	115	12.5	46.0	15A	1	3400	3	Piggyback	20'	14/3	1.5" or 2" NPT	3/4"	64
GFE0311M				46.0				3	Not Supplied					
GFE0511	1/2	14.5	46.0	3.56				Piggyback						
GFE0511M			46.0	3.56				Not Supplied						
GFE0712	3/4	230	10	27.5				4.32	Piggyback	20'				
GFE0712M				27.5				4.32	Not Supplied					
GFE0712M30				27.5				4.32	Not Supplied					
GFE071230				27.5				4.32	Piggyback	30'				
GFE1012	1	12.5	12.5	36.2				4.67		20'				
GFE1012M				36.2				4.67	Not Supplied					
GFE1012M30				36.2				4.67	Not Supplied					
GFE101230				36.2				4.67	Piggyback	30'				

PERFORMANCE CURVE



MATERIALS OF CONSTRUCTION

Part Name	Material
Impeller	Cast Iron*
Casing	Cast Iron Motor Housing
Motor Adapter	Cast Iron
Mechanical Seal	Silicon Carbide/Silicon Carbide/BUNA
Cord	SJTOW
Mechanical Switch	cURus listed, 15A, 125V
Fasteners	Stainless Steel
Handle	Stainless Steel
Float Bracket	Stainless Steel

* 3/4 HP, high head is glass reinforced thermoplastic

AGENCY LISTINGS



Tested to UL778 CAN 22.2 by
CSA International (Canadian Standards Association)

xylem
Let's Solve Water

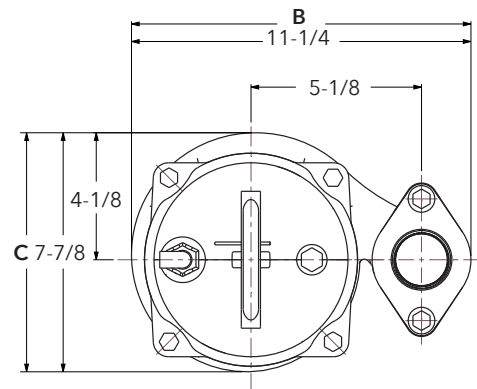
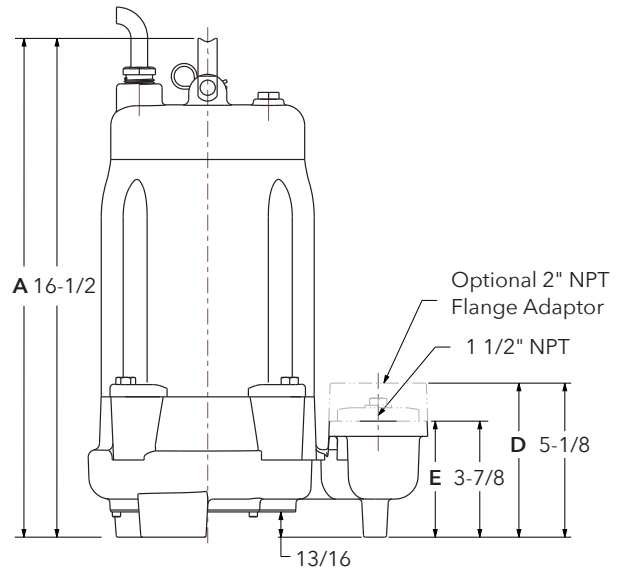
Xylem Inc.
2881 East Bayard Street Ext., Suite A
Seneca Falls, NY 13148
Phone: (866) 325-4210 • Fax: (888) 322-5877
www.xylem.com/goulds

Xylem is a registered trademark of Xylem Inc. or one of its subsidiaries. Goulds is a registered trademark of ITT Manufacturing Enterprises LLC and is used under license. All other trademarks or registered trademarks are property of their respective owners.

© 2023 Xylem Inc. GFESERSALES R4 February 2023

DIMENSIONS

	A	B	C	D	E
All Models	16 1/2"	11 1/4"	7 7/8"	5 1/8"	3 7/8"



**COMPLETE.
RELIABLE. BLUE.**

Learn more about
our complete line
of wastewater
products.

