



# G Slimline

STAINLESS STEEL SUBMERSIBLE PUMP FOR 4" AND LARGER WELLS  
5, 7 & 10 GPM - UP TO 1½ HP - VFD COMPATIBLE



### FEATURES

**Powered for Continuous Operation:** All ratings are within the working limits of the motor as recommended by the motor manufacturer. Pump can be operated continuously without damage to the motor.

**Field Serviceable:** Units are field serviceable with common tools and readily available repair parts.

**Sand Handling Design:** The face clearance, floating impeller stack has proven itself for over 40 years as a superior sand handling, durable pump design.

**FDA Compliant Non-Metallic Parts:** Impellers, diffusers and bearing spiders are constructed of glass-filled engineered composites. They are corrosion resistant and non-toxic.

**Discharge Head:** Stainless steel, corrosion resistant is strong and durable. Safety loop provided for installer convenience.

**Check Valve:** Integral spring loaded check valve

**Motor Adapter:** Stainless steel, corrosion resistant provides a strong, accurate alignment of liquid end to motor. The plastic wrap around strainer keeps debris out of pump.

**Stainless Steel Casing:** Polished stainless steel is strong and corrosion resistant.

**Hex Shaft Design:** Six sided shafts for positive impeller drive.

### 5G, 7G & 10G PUMPS

Series	Model	Required HP	Stages	Water End	
				Length (in)	Wt. (lbs)
5G	5G05	.5	15	15.1	9
	5G07	.75	20	18.2	11
	5G10	1	25	22.5	14
	5G15	1.5	34	28.2	17
7G	7G05	.5	11	12.5	7
	7G07	.75	15	15.1	9
	7G10	1	20	18.2	11
	7G15	1.5	25	22.5	14
10G	10G05	.5	12	14.7	8
	10G07	.75	15	16.8	9
	10G10	1	20	20.3	10
	10G15	1.5	27	26.3	16

### GOULDS WATER TECHNOLOGY 4" SINGLE-PHASE MOTORS

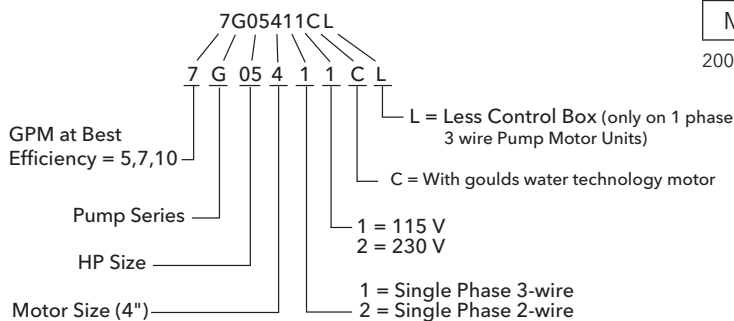
Order No.	Type	HP	Volts	Length (in)	Weight (lb)
M05421	2-wire PSC	.5	115	11.0	19.2
M05422		.5	230	11.0	19.2
M07422		.75	230	12.4	22.7
M10422		1	230	13.3	24.5
M15422		1.5	230	14.9	28.9
M05411	3-wire	.5	115	10.0	18.9
M05412		.5	230	9.7	18.1
M07412		.75	230	10.8	21.4
M10412		1	230	11.7	23.1
M15412		1.5	230	13.6	27.4

### GOULDS WATER TECHNOLOGY 4" THREE-PHASE MOTORS

Order No.	HP	Volts	Length (in)	Weight (lb)
M05432	.5	230	10.0	19.0
M07432	.75		10.8	22.0
M10432	1		11.7	23.1
M15432	1.5			

200, 460, and 575V options also available for 3 phase motors.

### NUMBER CODE

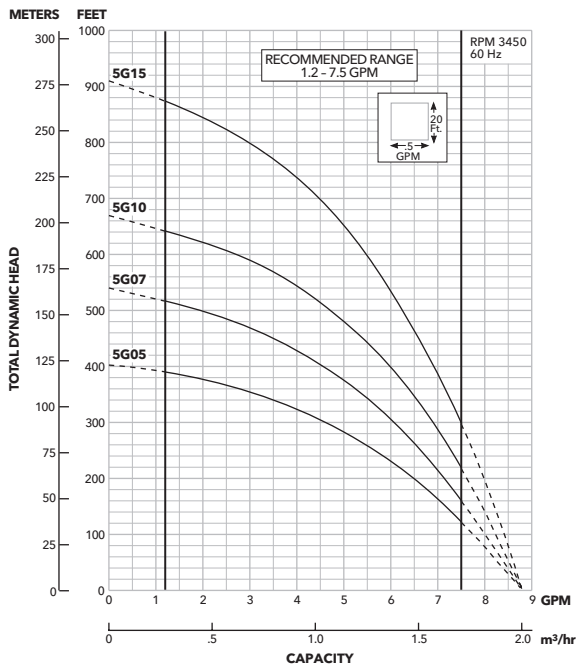


### SPECIFICATIONS

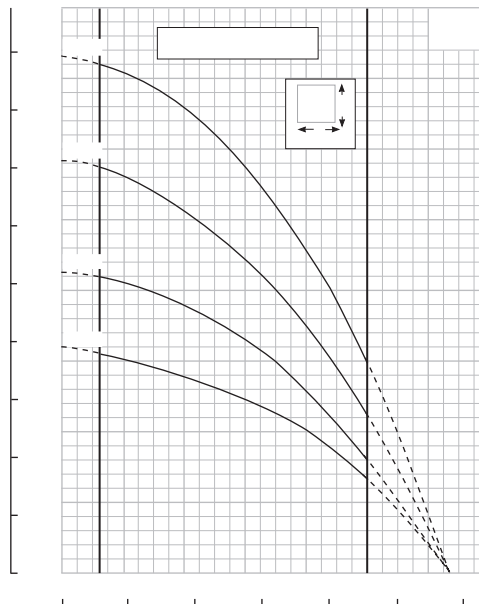
Model	Flow Range GPM	Horsepower Range	Best Efficiency GPM	Discharge Connection	Minimum Well Size	Rotation <sup>①</sup>	Effective Diameter
5G	1.2 - 7.5	½-1½	5	1.25"	4"	CCW	3.75"
7G	1.5 - 10		7				
10G	2 - 12		10				

① Rotation is counterclockwise when observed from pump discharge end.

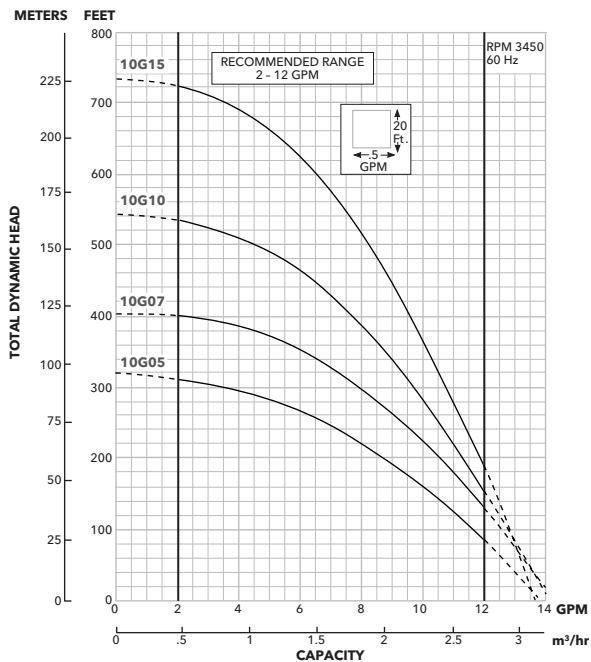
### MODEL 5G



### MODEL 7G

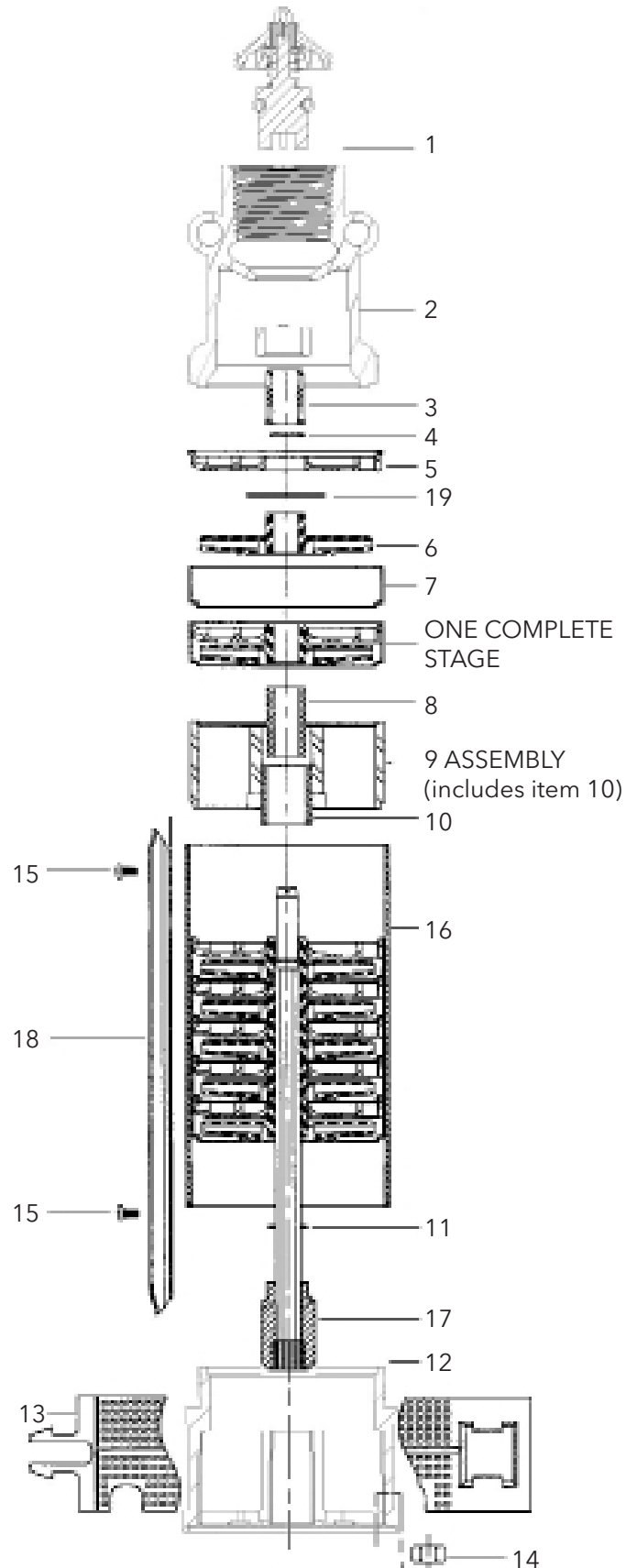


### MODEL 10G



Item No.	Part Description	Current Model			
		HP	5G	7G	10G
	Number of Stages	½	15	11	12
		¾	20	15	
		1	25▲	20	20
		1½	34▲	25▲	27▲
1	Check valve	7K2227			
2	Discharge head	7K60			
3	Bearing	7K2739			
4	Retaining ring	7K817			
5	Diffuser	7K9	7K12	7K3462	
6	Impeller	7K8	7K11	7K3461	
7	Bowl	7K7			
8	Center sleeve▲	7K209			
9	Intermediate bearing spider assembly▲	7K13			
10	Intermediate bearing▲	7K156			
11	Shim	7K155			
12	Motor adapter	7K3450			
13	Inlet strainer	7K3356			
14	Motor nut	13K114			
15	Cable guard screw	13K91			
16	Casing	½	7K484	7K483	7K3474
		¾	7K485	7K484	7K3475
		1	7K861	7K485	7K3476
		1½	7K1178	7K861	7K3477
17	Shaft and coupling	½	7K1524	7K1375	7K3257
		¾	7K3466	7K1524	7K3208
		1	7K1388	7K3466	7K1458
		1½	7K3467	7K1388	7K3978
18	Cable guard	½	7K1092	7K1091	7K3470
		¾	7K1093	7K1092	7K3471
		1	7K1094	7K1093	7K3472
		1½	7K2147	7K1094	7K3473
19	Upthrust washer	7K15			

**Note:** ▲ Indicates models with intermediate bearing spider.



### MODEL 5G

Pump Model	HP	PSI	Depth to Water in Feet/Ratings in GPM (Gallons per Minute)																							
			40	80	120	160	200	240	280	320	360	400	440	480	520	560	600	640	680	720	760	800	840	880		
5G05	1/2	0	10.1	8.0	7.4	7.1	6.5	5.8	4.9	4.1	2.9	0.3														
		20	7.8	7.4	7.0	6.4	5.6	4.8	4.0	2.6																
		30	7.5	7.2	6.7	6.0	5.1	4.3	3.3	1.2																
		40	7.3	7.0	6.3	5.5	4.7	3.8	2.3																	
		50	7.1	6.6	5.9	5.0	4.2	3.1	0.7																	
		60	6.9	6.2	5.4	4.6	3.6	2.0																		
Shut-off PSI			156	139	121	104	87	69	52	35	17															
5G07	3/4	0	9.2	8.3	7.8	7.5	7.1	6.8	6.3	5.8	5.3	4.6	3.8	2.7	1.1											
		20	8.2	7.7	7.4	7.1	6.7	6.2	5.7	5.2	4.5	3.7	2.5	0.7												
		30	7.9	7.5	7.2	6.9	6.4	6.0	5.4	4.8	4.0	3.0	1.6													
		40	7.7	7.4	7.0	6.6	6.2	5.6	5.1	4.4	3.5	2.2	0.4													
		50	7.5	7.2	6.8	6.4	5.9	5.3	4.7	3.9	2.8	1.3														
		60	7.3	7.0	6.6	6.1	5.6	5.0	4.3	3.3	2.0	0.1														
Shut-off PSI			216	199	182	165	147	130	113	95	78	61	43	26	9											
5G10	1	0	8.6	8.4	8.1	7.9	7.6	7.3	7.0	6.7	6.4	6.0	5.6	5.0	4.4	3.6	2.6	1.3								
		20	8.3	8.1	7.8	7.6	7.3	7.0	6.7	6.3	5.9	5.5	5.0	4.3	3.5	2.4	1.0									
		30	8.2	7.9	7.7	7.4	7.1	6.8	6.5	6.1	5.7	5.2	4.6	3.9	2.9	1.7										
		40	8.0	7.8	7.5	7.2	6.9	6.6	6.3	5.9	5.4	4.9	4.2	3.3	2.2	0.8										
		50	7.9	7.6	7.4	7.1	6.7	6.4	6.0	5.6	5.1	4.5	3.7	2.7	1.4											
		60	7.8	7.5	7.2	6.9	6.6	6.2	5.8	5.3	4.8	4.1	3.2	2.0	0.5											
Shut-off PSI			273	255	238	221	203	186	169	152	134	117	100	82	65	48	30	13								
5G15	1 1/2	0	8.6	8.5	8.3	8.2	8.0	7.8	7.6	7.4	7.1	6.9	6.6	6.3	6.1	5.8	5.5	5.1	4.7	4.2	3.7	3.0	2.1	0.9		
		20	8.5	8.3	8.2	8.0	7.8	7.6	7.3	7.1	6.8	6.6	6.3	6.0	5.7	5.4	5.1	4.6	4.2	3.6	2.9	1.9	0.7			
		30	8.4	8.2	8.1	7.9	7.6	7.4	7.2	6.9	6.7	6.4	6.1	5.9	5.5	5.2	4.8	4.4	3.8	3.2	2.3	1.3				
		40	8.3	8.1	7.9	7.7	7.5	7.3	7.0	6.8	6.5	6.3	6.0	5.7	5.4	5.0	4.6	4.1	3.5	2.7	1.8	0.5				
		50	8.2	8.0	7.8	7.6	7.4	7.2	6.9	6.6	6.4	6.1	5.8	5.5	5.1	4.8	4.3	3.8	3.1	2.2	1.1					
		60	8.1	7.9	7.7	7.5	7.3	7.0	6.8	6.5	6.2	5.9	5.6	5.3	4.9	4.5	4.0	3.4	2.6	1.6	0.3					
Shut-off PSI			377	359	342	325	307	290	273	255	238	221	203	186	169	152	134	117	100	82	65	48	30	13		

### MODEL 7G

Pump Model	HP	PSI	Depth to Water in Feet/Ratings in GPM (Gallons per Minute)																									
			30	60	90	120	150	180	210	240	270	300	330	360	390	420	450	480	510	540	570	600	630	660	690	720		
7G05	½	0	12.1	11.6	11.0	10.3	9.5	8.6	7.6	6.3	4.6	2.2																
		20	11.3	10.6	9.9	9.0	8.1	7.0	5.5	3.4	0.6																	
		30	10.8	10.0	9.2	8.3	7.3	5.8	3.9	1.3																		
		40	10.2	9.4	8.6	7.5	6.2	4.4	2.0																			
		50	9.6	8.8	7.8	6.5	4.9	2.6																				
		60	9.0	8.0	6.9	5.3	3.2	0.3																				
<b>Shut-off PSI</b>			126	113	100	87	74	61	48	35	22	9																
7G07	¾	0	12.4	11.5	11.0	10.7	10.3	9.7	9.1	8.3	7.6	6.8	6.0	4.9	3.3	0.7												
		20	11.2	10.9	10.5	10.0	9.4	8.7	7.9	7.1	6.4	5.4	4.2	2.1														
		30	10.9	10.6	10.1	9.5	8.8	8.1	7.3	6.5	5.7	4.5	2.7															
		40	10.7	10.2	9.7	9.0	8.3	7.5	6.7	5.9	4.8	3.2	0.5															
		50	10.4	9.8	9.2	8.4	7.7	6.9	6.1	5.1	3.6	1.2																
		60	10.0	9.3	8.6	7.8	7.1	6.3	5.4	4.0	1.9																	
<b>Shut-off PSI</b>			171	158	145	132	119	106	93	80	67	54	41	28	15	2												
7G10	1	0	12.4	12.0	11.6	11.3	10.9	10.5	10.1	9.7	9.3	8.8	8.3	7.8	7.2	6.5	5.8	4.9	4.0	2.9	1.6	0.1						
		20	11.8	11.4	11.1	10.7	10.3	9.9	9.5	9.1	8.6	8.1	7.5	6.9	6.1	5.3	4.4	3.4	2.2	0.8								
		30	11.5	11.1	10.8	10.4	10.0	9.6	9.2	8.7	8.2	7.6	7.0	6.3	5.5	4.6	3.6	2.5	1.1									
		40	11.2	10.9	10.5	10.1	9.7	9.3	8.8	8.3	7.8	7.2	6.5	5.7	4.9	3.9	2.8	1.5	0.0									
		50	10.9	10.6	10.2	9.8	9.4	8.9	8.4	7.9	7.3	6.6	5.9	5.1	4.1	3.0	1.8	0.3										
		60	10.7	10.3	9.9	9.5	9.0	8.5	8.0	7.4	6.8	6.1	5.3	4.4	3.3	2.1	0.7											
<b>Shut-off PSI</b>			238	225	212	199	186	173	160	147	134	121	108	95	82	69	56	43	30	17	4							
7G15	1½	0	13.3	12.4	11.8	11.5	11.2	11.0	10.8	10.6	10.3	10.0	9.6	9.2	8.8	8.4	8.0	7.6	7.2	6.7	6.3	5.7	5.0	4.0	2.7	0.9		
		20	12.1	11.6	11.3	11.1	10.9	10.7	10.4	10.1	9.8	9.4	9.0	8.6	8.2	7.8	7.4	6.9	6.5	6.0	5.3	4.5	3.3	1.8				
		30	11.7	11.4	11.2	11.0	10.7	10.5	10.2	9.9	9.5	9.1	8.7	8.3	7.9	7.5	7.0	6.6	6.1	5.5	4.7	3.6	2.2	0.2				
		40	11.5	11.2	11.0	10.8	10.6	10.3	10.0	9.6	9.2	8.8	8.4	8.0	7.6	7.1	6.7	6.2	5.6	4.9	3.9	2.5	0.7					
		50	11.3	11.0	10.8	10.6	10.3	10.0	9.7	9.3	8.9	8.5	8.1	7.7	7.2	6.8	6.3	5.8	5.1	4.2	2.9	1.2						
		60	11.1	10.9	10.7	10.4	10.1	9.8	9.4	9.0	8.6	8.2	7.7	7.3	6.9	6.5	5.9	5.3	4.4	3.2	1.6							
<b>Shut-off PSI</b>			303	290	277	264	251	238	225	212	199	186	173	160	147	134	121	108	95	82	69	56	43	30	17	4		



# Xylem |'zīləm|

- 1) The tissue in plants that brings water upward from the roots;
- 2) a leading global water technology company.

We're a global team unified in a common purpose: creating advanced technology solutions to the world's water challenges. Developing new technologies that will improve the way water is used, conserved, and re-used in the future is central to our work. Our products and services move, treat, analyze, monitor and return water to the environment, in public utility, industrial, residential and commercial building services settings. Xylem also provides a leading portfolio of smart metering, network technologies and advanced analytics solutions for water, electric and gas utilities. In more than 150 countries, we have strong, long-standing relationships with customers who know us for our powerful combination of leading product brands and applications expertise with a strong focus on developing comprehensive, sustainable solutions.

**For more information on how Xylem can help you, go to [www.xylem.com](http://www.xylem.com)**



Xylem Inc.  
Phone: (866) 325-4210 • Fax: (888) 322-5877  
[www.xylem.com/goulds](http://www.xylem.com/goulds)

Xylem is a registered trademark of Xylem Inc. or one of its subsidiaries. Goulds is a registered trademark of ITT Manufacturing Enterprises LLC and is used under license. All other trademarks or registered trademarks are property of their respective owners.

© 2023 Xylem Inc. BGSERIES R5 June 2023