



G-CUBE

SUMP PUMP BASIN PACKAGE

RELIABLE PERFORMANCE IN A COMPACT, CORROSION RESISTANT DESIGN

BRGCUBE

G-Cube Sump Pump Basin Package

Designed to deliver a straightforward and economical package, the G-Cube Sump Pump Basin Package features our top selling GSP cast iron sump pump enclosed in a corrosion-resistant cube shaped basin. The G-Cube basin package removes water from areas where gravity flow is not available. For reliable performance, the basin package is available with a standard mechanical switch coupled with a solid float. The compact “cube” shape fits squarely under cabinets and in corner spaces.

Applications

Specifically designed for residential, light commercial and construction applications such as:

- Laundry trays
- Wet bar sinks
- Air conditioning or dehumidifier condensate
- Residential dishwashers
- Beautician sinks

G-Cube Basin Package

- Easy to install
- Durable, corrosion-resistant structural foam
- Bolted on, water tight cover
- Unique honeycomb bottom design provides extra strength
- Stainless steel hardware
- Lightweight design
- Compact, “cube” shape fits squarely under cabinets and in corner spaces
- GSP sump pump
- Two (2) year standard warranty*

GSP Cast Iron Sump Pump

- Three models available (1/3 hp or 1/2 hp)
- Robust cast iron housing for optimal heat dissipation
- Available with a mechanical switch and a solid float for dependable performance
- Premium silicon carbide/silicon carbide seal (standard)
- Approved for residential use (CSA/CUS listed)
- Engineered motor designed for peak hydraulic performance without overloading
- Suction strainer encompasses entire base to reduce debris entry
- Corrosion resistant hardware for lifetime use
- Two (2) year standard warranty*

* Three (3) year GPDA warranty

PRODUCT SPECIFICATIONS

Model	Part No.	HP	Volts	Amps	Minimum Circuit Breaker	Phase	Float Switch Style	Cord Length	Discharge Connection	Minimum On Level	Minimum Off Level	Minimum Basin Diameter	Maximum Solids Size	Shipping Weight
G-Cube	GCUBE0311	1/3	115	10	15A	1	Vertical	9'	1 1/2"	7 1/4"	3 1/2"	1'	1/2"	27 lbs
G-Cube	GCUBE0311-25	1/3	115	10	15A	1	Vertical	25'	1 1/2"	7 1/4"	3 1/2"	1'	1/2"	28 lbs
G-Cube	GCUBE0511	1/2	115	8	15A	1	Vertical	15'	1 1/2"	8 1/2"	3"	1'	1/2"	38 lbs

REPAIR PARTS

Part Description	Part No.	Part
GSP-SWITCH	9K701	Switch Assembly with Gasket and Hardware

GSP0311 (1/3 HP) PERFORMANCE RATINGS

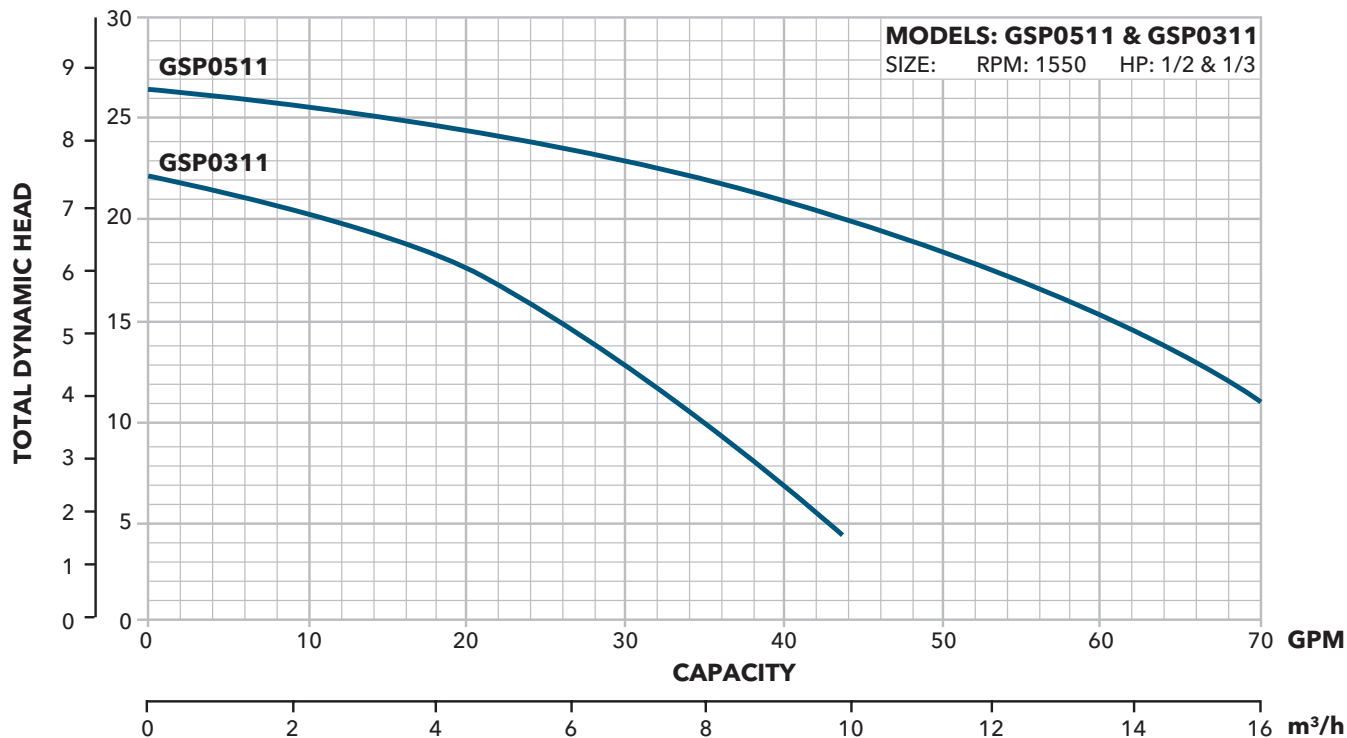
Total Head (feet of water)	GPM	GPH
4	43	2580
10	34	2040
15	25	1500
20	10	600

GSP0511 (1/2 HP) PERFORMANCE RATINGS

Total Head (feet of water)	GPM	GPH
10	71	4260
15	56	3360
20	38	2280
23	20	1200

PERFORMANCE CURVE

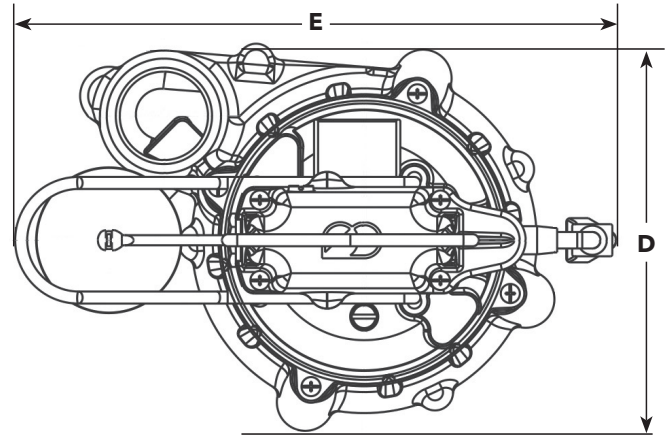
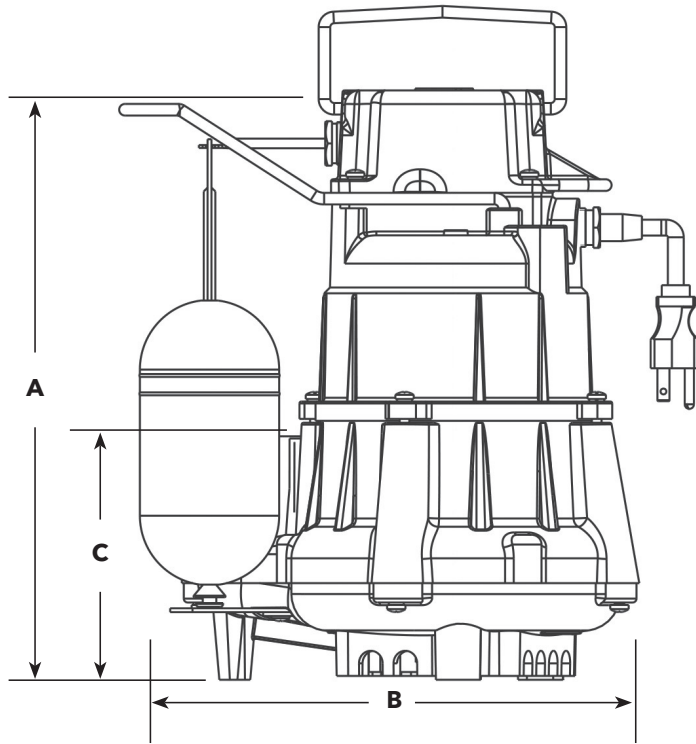
METERS FEET



G-Cube Sump Pump Basin Package

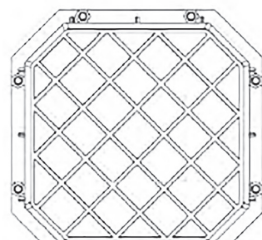
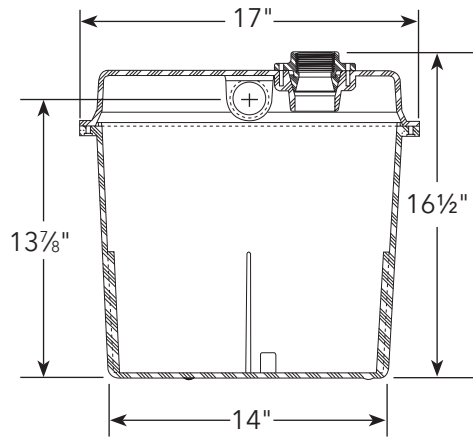
DIMENSIONS

GSP Sump Pump with Mechanical Switch



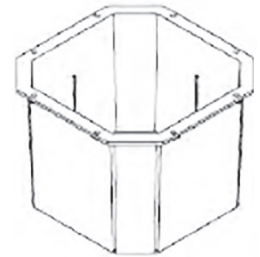
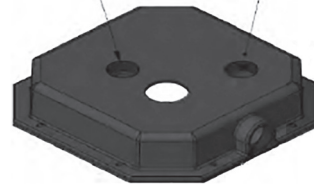
	A	B	C	D	E
GSP0311	10.2"	11.8"	3.25"	7.5"	11.8"
GSP0511	12"	10.6"	5"	7.4"	10.6"

Corrosion Resistant Basin



Honeycomb design bottom

2 x $\text{Ø } 1\frac{1}{4}"$ thru all $1\frac{1}{2}"$ NPT
 $\text{Ø } 1\frac{7}{8}"$ x 90° , near side



NOTE: Weight = 5.83 lbs.



Xylem Inc.
 Phone: (866) 325-4210 • Fax: (888) 322-5877
xylem.com/goulds

Goulds is a registered trademark of Goulds Pumps, Inc. and is used under license.
 © 2019 Xylem Inc. BRGCUBE June 2019