



INTRODUCING THE NEW DI Series Discharge Heads

CONSTRUCTED OUT OF DUCTILE IRON IN 150# AND 250# OPTIONS

BRDIDISCH R4

Xylem, Inc. is proud to announce the arrival of the **DI Series Discharge Heads.**

Constructed out of ductile iron, the DI Series Heads offer several advantages over the cast iron CA discharge heads, including:

- Cost Savings
- Higher Pressure Ratings
- Higher Horsepower Ratings
- Increased strength and greater hanging weight capabilities
- Potential to negate the need to use fabricated steel discharge heads
- Capability to be drilled for ANSI suction can connections
- Flexible to fit dual register and bolt circles to fit multiple motor BD 10/12 and 16.5/20/24.5 on the same head.
- All models are pre-machined for both threaded and flanged column connections
- No need to purchase hanger flange
- Better impact resistance
- Lower thermal conductivity
- Higher nozzle loads
- Higher corrosion resistance

DISCHARGE HEAD PART NUMBERS

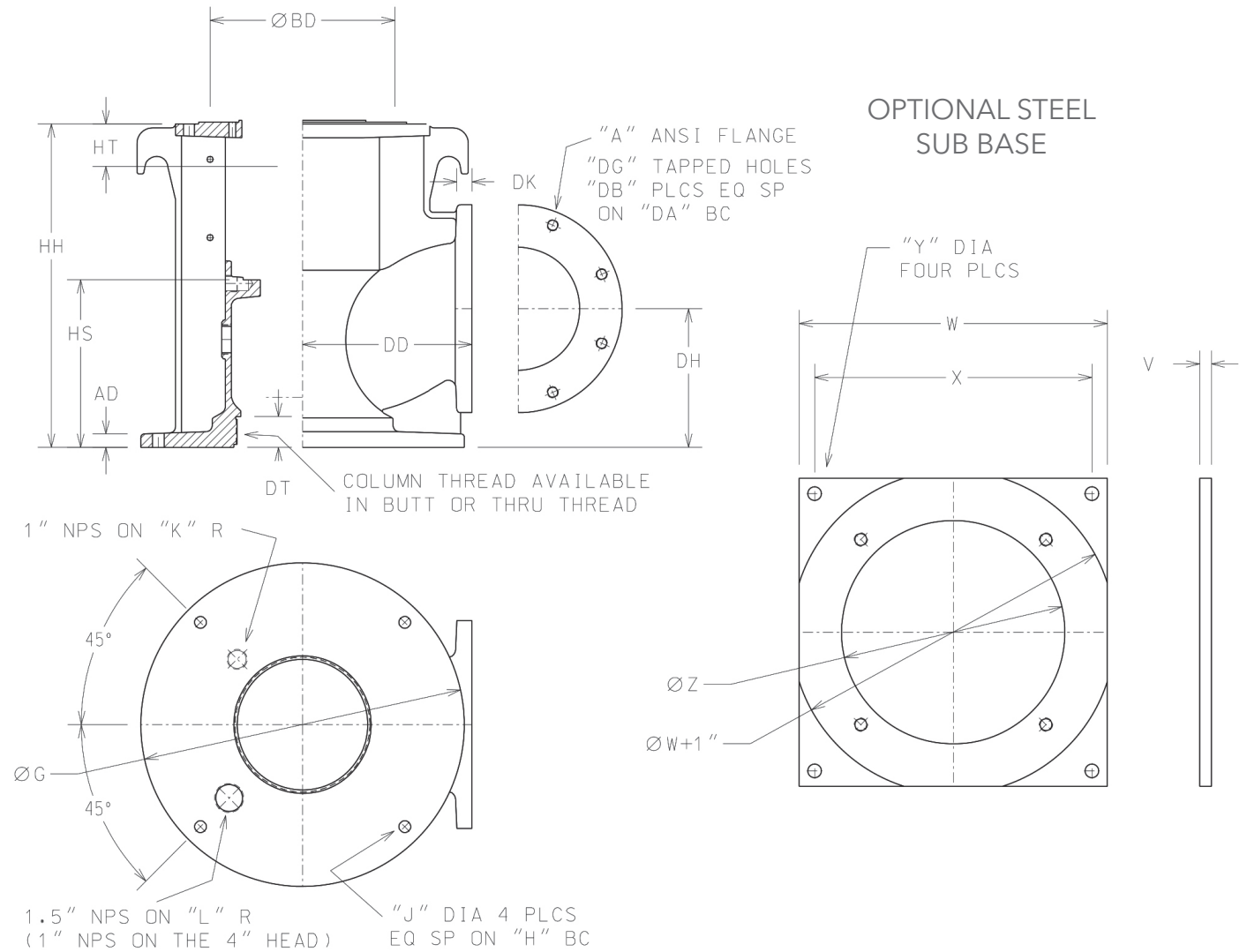
| Size | Motor Base Diameter (BD) | Open Lineshaft | | Enclosed Lineshaft | |
|------|--------------------------|----------------|----------------|--------------------|----------------|
| | | 150" (250 PSI) | 250" (400 PSI) | 150" (250 PSI) | 250" (400 PSI) |
| 4" | 12" | C06936B | C07002B | C07003B | C07004B |
| 6" | 12", 16.5" | C06938B | C06997B | C06969B | C06998B |
| 8" | 12", 16.5" | C06940B | C06985B | C06963B | C06986B |
| 10" | 20" | C06942B | C07030B | C07027B | C07031B |
| 12" | 24.5" | C06944B | C07066B | C07058B | C07133B |
| 14" | 24.5" | C07161B | C07164B | C09012B | C09013B |

NOTE:

Heads with a 12" BD will accept a 10" and 12" BD motor
 Heads with a 16.5" BD will accept a 20" and 24.5" BD motor
 Heads with a 20" BD will accept a 16.5" and 24.5" BD motor
 Heads with a 24.5" BD will accept a 16.5" and 20" BD motor

NOTE: All parts are constructed using ASTM A536 GR 65-45-12 (Xylem Goulds Water Technology Material Code 1018)

Type "DI" Ductile Iron Discharge Head



| A | BD | HT | HS | HH | DH | AD | G | H | J | K | L | V | W | X | Y | Z | SUB BASE |
|-----|----------|------|-------|-------|-------|------|-------|-------|------|-------|-------|------|-------|-------|------|-------|----------|
| 4" | 12 | 2.25 | 9.75 | 17.00 | 9.00 | 0.61 | 16.00 | 14.25 | 0.75 | 4.37 | 4.37 | 0.75 | 18.00 | 16.00 | 0.63 | 12.00 | C03494B |
| 6" | 12/16.5* | 2.38 | 11.38 | 21.00 | 9.00 | 0.88 | 19.00 | 17.00 | 0.75 | 5.50 | 5.50 | 0.75 | 20.00 | 18.00 | 0.88 | 14.50 | B04865B |
| 8" | 12/16.5* | 3.00 | 10.88 | 21.00 | 9.00 | 0.88 | 21.00 | 18.75 | 0.75 | 6.00 | 6.75 | 0.75 | 22.00 | 19.00 | 0.88 | 15.25 | B04866B |
| 10" | 20 | 3.00 | 14.88 | 26.00 | 10.50 | 0.88 | 23.50 | 21.25 | 0.75 | 7.00 | 7.25 | 1.00 | 24.00 | 22.00 | 0.88 | 17.25 | B02883B |
| 12" | 24.5 | 4.19 | 17.88 | 31.00 | 12.00 | 0.88 | 27.50 | 25.00 | 0.75 | 9.00 | 8.75 | 1.00 | 28.00 | 26.00 | 0.88 | 20.50 | C07982B |
| 14" | 24.5 | 5.00 | 20.00 | 34.50 | 13.00 | 1.25 | 32.00 | 29.50 | 1.38 | 10.50 | 10.50 | 1.25 | 32.00 | 29.00 | 1.00 | 24.00 | C08995B |

150#

| A | DD | DK | DA | DB | DG |
|-----|-------|------|-------|----|-------------|
| 4" | 8.25 | 0.75 | 7.50 | 8 | .62 - 11UNC |
| 6" | 10.00 | 1.00 | 9.50 | 8 | .75 - 10UNC |
| 8" | 11.00 | 1.00 | 11.75 | 8 | .75 - 10UNC |
| 10" | 12.50 | 1.00 | 14.25 | 12 | .88 - 9UNC |
| 12" | 14.50 | 1.00 | 17.00 | 12 | .88 - 9UNC |
| 14" | 19.50 | 1.25 | 18.75 | 12 | 1.00 - 8UNC |

250#

| A | DD | DK | DA | DB | DG |
|-----|-------|------|-------|----|-------------|
| 4" | 8.50 | 1.00 | 7.88 | 8 | .75 - 10UNC |
| 6" | 10.38 | 1.38 | 10.63 | 12 | .75 - 10UNC |
| 8" | 11.50 | 1.50 | 13.00 | 12 | .88 - 9UNC |
| 10" | 13.00 | 1.50 | 15.25 | 16 | 1.00 - 8UNC |
| 12" | 15.25 | 1.75 | 17.75 | 16 | 1.12 - 7UNC |
| 14" | 20.25 | 2.00 | 20.25 | 20 | 1.12 - 7UNC |

Note:
All dimensions in inches

* Head is a dual registered/
dual bolt circle

Pump Assembly Dimensions - Open Lineshaft

DISCHARGE HEAD "A" DIMENSIONS

| A | DT |
|-----|------|
| 4" | 1.63 |
| 6" | 1.75 |
| 8" | 2.00 |
| 10" | 2.50 |
| 12" | 3.00 |
| 14" | 3.00 |

Note: Dimensions A, DD, DH, HH, HS, and HT found on page 3.

TOP COLUMN LENGTH

$$TC = CL - STD\ COL + DT$$

"L" STUB SHAFT

$$L = CL + HH - HT - S/U - STD\ LINESHAFT$$

HEAD SHAFT

$$HEAD\ SHAFT = HT + CD + XH$$

PART NUMBERS

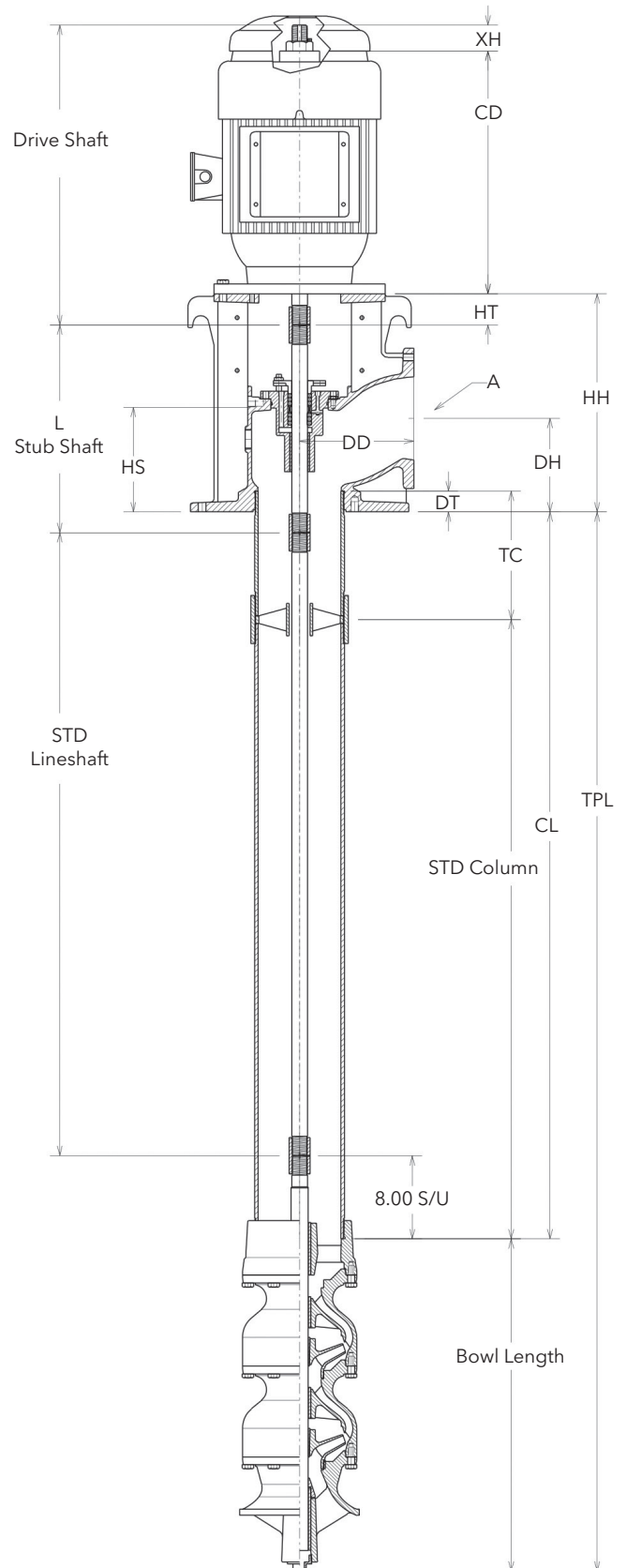
Column

| Size | 5' | 10' |
|------|-----------|-----------|
| 4" | A0354901 | A03552B01 |
| 6" | A0354903 | A03552B03 |
| 8" | A0354904 | A03552B04 |
| 10" | A0354905 | A03552B05 |
| 12" | A0354906 | A03552B06 |
| 14" | A03549B29 | A03552B25 |

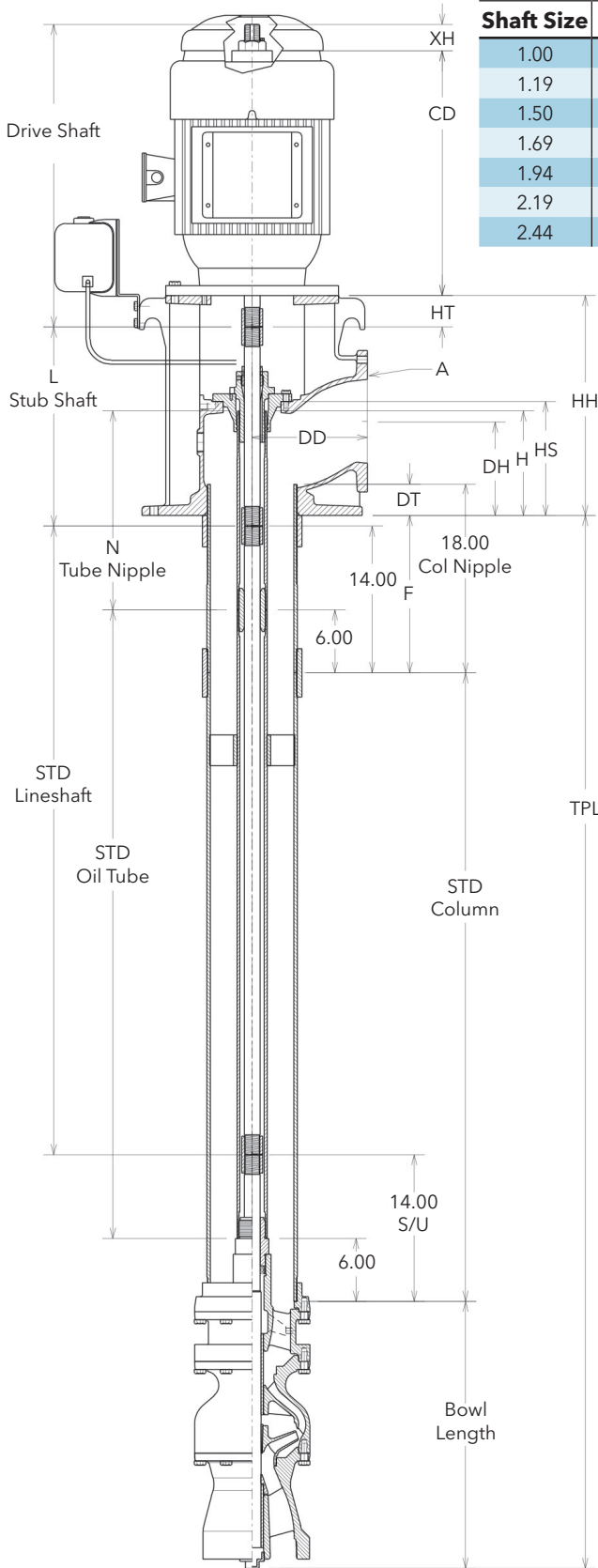
Shafting

| Diameter | Lineshaft | Headshaft | XH |
|----------|-----------|-----------|------|
| 1.00 | B00002F | B01746B | 2.00 |
| 1.18 | B00003F | B01801B | 2.50 |
| 1.50 | B00004F | B01802B | 2.50 |
| 1.68 | B00005F | B01803B | 2.50 |
| 1.93 | B00006F | B01804B | 3.25 |
| 2.18 | B00007F | B01798B | 3.25 |
| 2.43 | B00008F | B02013B | 3.25 |

Note: All dimensions in inches



Pump Assembly Dimensions - Enclosed Lineshaft



| Shaft Size | Tube | Nut | Plate | O-Ring | Lineshaft | Headshaft | XH |
|------------|------|---------|---------|------------|-----------|-----------|------|
| 1.00 | 1.50 | B04593B | B04594B | C02495A133 | B00002F | B01746B | 2.00 |
| 1.19 | 2.00 | B04582B | B04583B | C02495A228 | B00003F | B01801B | 2.50 |
| 1.50 | 2.50 | B04504B | B04503B | C02495A232 | B00004F | B01802B | 2.50 |
| 1.69 | 2.50 | B04584B | B04503B | C02495A232 | B00005F | B01803B | 2.50 |
| 1.94 | 3.00 | B04601B | B04602B | C02495A340 | B00006F | B01804B | 3.25 |
| 2.19 | 3.50 | B04604B | B04606B | C02495A344 | B00007F | B01798B | 3.25 |
| 2.44 | 3.50 | B04605B | B04606B | C02495A344 | B00008F | B02013B | 3.25 |

"N" OIL TUBE NIPPLE - PART NUMBER C4017XXX

| Discharge Head | 1.00 | 1.19 | 1.50 | 1.69 | 1.94 | 2.19 | 2.44 |
|----------------|-----------|-----------|------|------|-----------|------|------|
| 4" | 18.50 BGJ | | | | | | |
| 6" | 20.00 BJA | 19.50 BHJ | | | | | |
| 8" | 19.50 BHJ | 19.00 BHA | | | 18.50 BGJ | | |
| 10" | 22.50 BLJ | 22.00 BLA | | | 21.50 BKJ | | |
| 12" | | 25.00 CBA | | | 24.50 CAJ | | |
| 14" | | 27.00 CDA | | | 26.50 CCJ | | |

"H" DIMENSION TO TOP OF TUBE NIPPLE

| Discharge Head | 1.00 | 1.19 | 1.50 | 1.69 | 1.94 | 2.19 | 2.44 |
|----------------|-----------|-----------|------|------|-----------|------|------|
| 4" | H = 9.50 | | | | | | |
| 6" | H = 11.00 | H = 10.50 | | | | | |
| 8" | H = 10.50 | H = 10.00 | | | H = 9.50 | | |
| 10" | H = 14.50 | H = 14.00 | | | H = 13.50 | | |
| 12" | | H = 17.00 | | | H = 16.50 | | |
| 14" | | H = 18.50 | | | H = 18.00 | | |

COLUMN NIPPLE

| Discharge Head | DT | F |
|----------------|------|-------|
| 4" | 3.00 | 15.00 |
| 6" | 3.00 | 15.00 |
| 8" | 3.00 | 15.00 |
| 10" | 4.00 | 14.00 |
| 12" | 4.00 | 14.00 |
| 14" | 4.00 | 14.00 |

STUB SHAFT

| Discharge Head | L |
|----------------|-------|
| 4" | 15.75 |
| 6" | 19.63 |
| 8" | 19.00 |
| 10" | 23.00 |
| 12" | 26.81 |
| 14" | 30.31 |

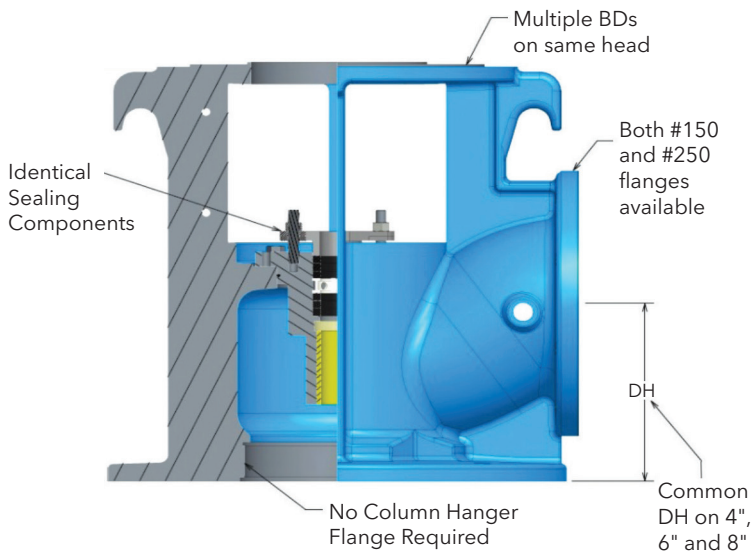
PART NUMBERS

| Discharge Head | 5' Column | 10' Column | 20' Column | Nipple |
|----------------|-----------|------------|------------|-----------|
| 4" | A03551B01 | A03553B01 | A03556B01 | B04597B03 |
| 6" | A03551B03 | A03553B03 | A03556B03 | B04597B05 |
| 8" | A03551B12 | A03553B04 | A03556B11 | B04597B06 |
| 10" | A03551B11 | A03553B14 | A03556B13 | B04597B07 |
| 12" | A03551B06 | A03553B11 | A03556B14 | B04597B08 |
| 14" | A03551B29 | A03553B29 | A03556B29 | B04597B09 |

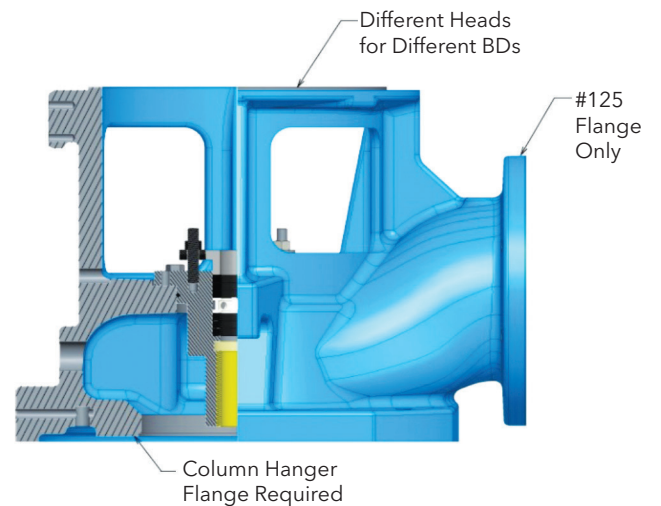
Note: All dimensions in inches.
Dimensions A, DD, DH, HH, HS, and HT found on page 3.

DI Series vs. CA Series

DI SERIES



CA SERIES

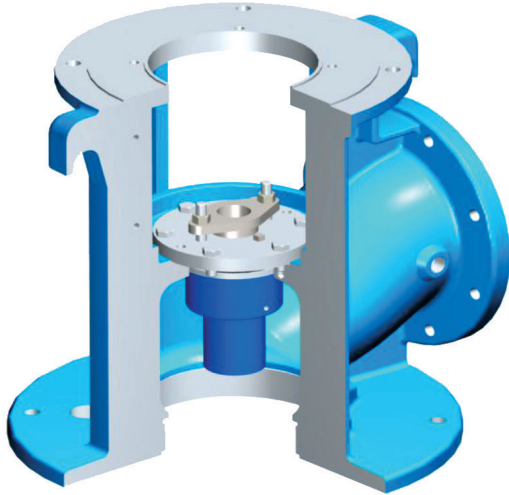


| Size | Maximum Working Pressure (psi) | | | Maximum Setting Depth (ft) | | Maximum Hanging Weight (lbs) | |
|------|--------------------------------|------|------|----------------------------|-----|------------------------------|-------|
| | DI | | CA | DI | CA | DI | CA |
| | 150# | 250# | 125# | | | | |
| 4" | 250 | 400 | 175 | 1000 | 750 | 21000 | 9000 |
| 6" | | | | | | 42000 | 27375 |
| 8" | | | | | | 57000 | 46500 |
| 10" | | | | | | 64000 | 49500 |
| 12" | | | | | | 78000 | 60000 |
| 14" | | | | | | 89000 | NA |

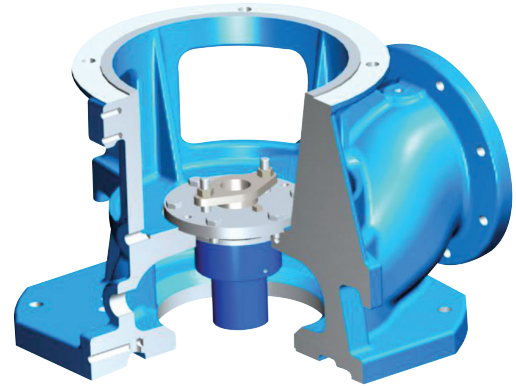
| Size | Maximum Horsepower Rating | | | | | |
|------|---------------------------|----------|----------|----------|----------|----------|
| | DI | | | CA | | |
| | 1200 RPM | 1800 RPM | 3600 RPM | 1200 RPM | 1800 RPM | 3600 RPM |
| 4" | 100 | 150 | 300 | 67 | 100 | 200 |
| 6" | 200 | 300 | 600 | 100 | 150 | 300 |
| 8" | 267 | 400 | 800 | 133 | 200 | 400 |
| 10" | 267 | 400 | 800 | 167 | 250 | 500 |
| 12" | 333 | 500 | 1000 | 200 | 300 | 600 |
| 14" | 333 | 500 | 1000 | NA | NA | NA |

DI Series vs. CA Series

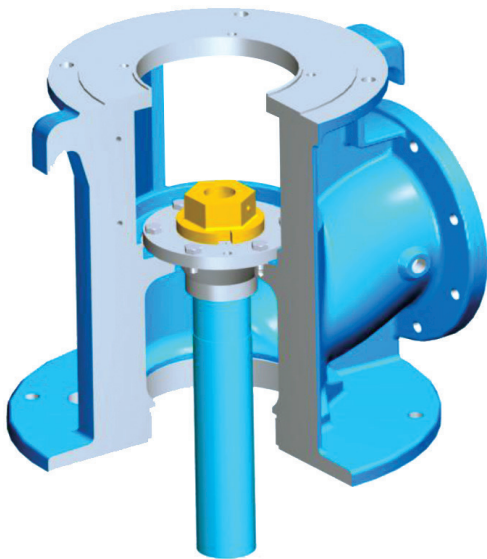
DI Water Lube



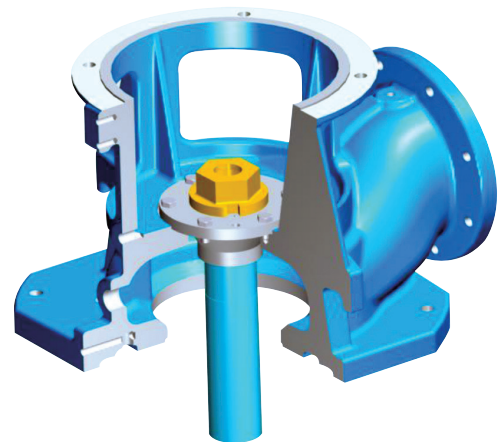
CA Water Lube



DI Oil Lube



CA Oil Lube





Xylem |'zīləm|

- 1) The tissue in plants that brings water upward from the roots;
- 2) a leading global water technology company.

We're a global team unified in a common purpose: creating advanced technology solutions to the world's water challenges. Developing new technologies that will improve the way water is used, conserved, and re-used in the future is central to our work. Our products and services move, treat, analyze, monitor and return water to the environment, in public utility, industrial, residential and commercial building services settings. Xylem also provides a leading portfolio of smart metering, network technologies and advanced analytics solutions for water, electric and gas utilities. In more than 150 countries, we have strong, long-standing relationships with customers who know us for our powerful combination of leading product brands and applications expertise with a strong focus on developing comprehensive, sustainable solutions.

For more information on how Xylem can help you, go to www.xylem.com



Xylem Inc.
PO Box 5487, Lubbock, TX 79408
Lubbock Customer Service Center
Phone: 1-806-763-7867 • Fax: 1-806-743-5730
www.xylem.com/goulds

Goulds is a registered trademark of Goulds Pumps, Inc. and is used under license.
© 2019 Xylem Inc. BRDIDISCH R4 October 2019