

TECHNICAL BROCHURE

BACe1500



Series A-C e-1500

VERTICAL IN-LINE CENTRIFUGAL PUMPS

 **GOULDS**
WATER TECHNOLOGY
a xylem brand

Series A-C e-1500 an efficient rugged close coupled pump designed for vertical and horizontal in-line mounting

The Series A-C e-1500 is designed for light industrial and general water transportation. Made of rugged cast iron, this heavy-duty, in-line, close-coupled pump can be mounted horizontally or vertically, eliminating the need for special pads or foundations. Available in sizes 1.5" through 8", with motors from .25 to 50 HP at 1750 RPM and 5 to 60 HP at 3500 RPM. The A-C e-1500 is available in stainless steel fitted construction, with flows to 2500 GPM, heads to 380 ft. This series is available in 175#, 250#, and 300# working pressure designs.

Motor Bracket

Precisely machined rigid cast iron motor bracket ensures positive concentric alignment between motor and pump components. This helps promote maintenance free operation and contributes to pump longevity.

Volute

Standard construction is for 175 psi working pressure, with flanges drilled to mate with 125# ANSI companion flanges. 250 psi and 300 psi working pressure* with 250# flange drilling is optionally available!

* 250 psi working pressure requires special construction.

* 300 psi working pressure requires special construction with silicon carbide seal.

Motors

Standard NEMA JM vertical solid shaft motors in drip proof enclosures are utilized on the Series A-C e-1500 pumps when standard mechanical seal is selected. NEMA JP motors will be utilized with stuff box configurations. High efficiency motors with TEFC enclosures are available options. Motor may be rotated on its bracket at 90° intervals to allow convenient positioning of the junction box.

Horizontal Mounting

Pump may be mounted horizontally in vertical piping if desired.

Convenient to Service

Back pullout design allows servicing without disturbing the piping. Repairs can be made quickly and easily. Thus down-time is kept to a minimum.

Impeller Balanced to Ansi/Hi Grade G6.3

The Series A-C e-1500 includes #304 stainless steel impellers to improve sustainable hydraulic performance and chemical resistance. The impellers are balanced to HI Grade G6.3 which provides quiet, vibration free operation.

Internally Flushed Mechanical Seal

The built in mechanical seal seal chamber has anti-vortex baffles and armored flush line from discharge to assure seal cooling and lubrication.

SEAL SELECTION GUIDE

Standard Seals (Built-In)

BUNA-N Carbon-Ceramic: Temperature Range -20 to +225°F
EPR Carbon-Tungsten Carbide, Temperature Range -20 to +250°F
For use on open or closed clear water systems. Maximum working pressure 175 psi.

Flushed Single Seals (Stuffing Box Design)

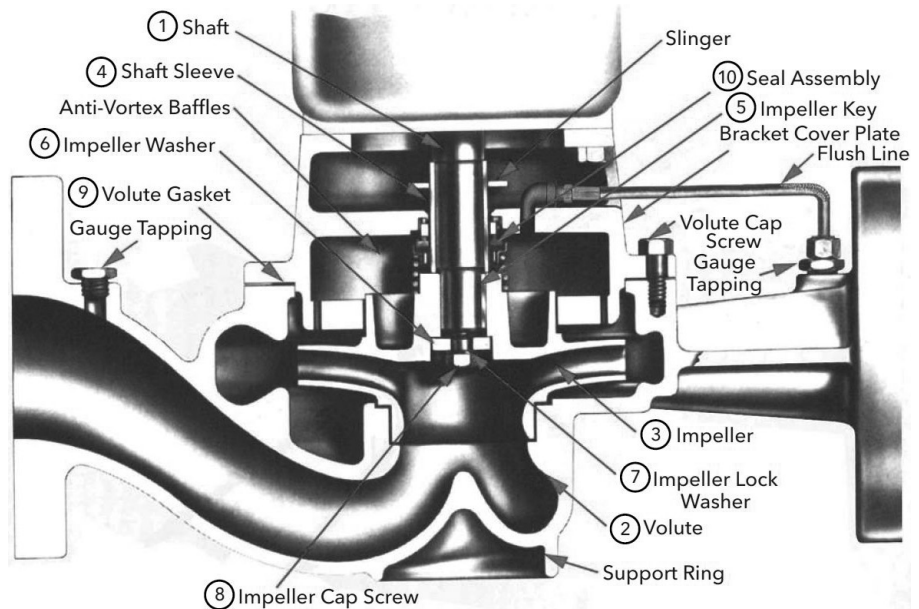
Carbon-Tungsten Carbide, Temperature Range -20 to +300°F** for use on closed or open systems where the temperature or pressure requirements exceed the limitations of the standard seal. Available in 175 psi or 300 psi working pressures.

** For operating temperatures above 250°F, a cooled flush is required - and is recommended for temperatures above 225°F for optimum seal life. On closed systems, cooling is accomplished by inserting a small heat exchanger in the flush line to cool the fluid.

Flush-line Filters and Sediment Separators are available on special request.

An efficient, rugged, close-coupled pump designed for vertical and horizontal in-line mounting.

Standard Mechanical Seal

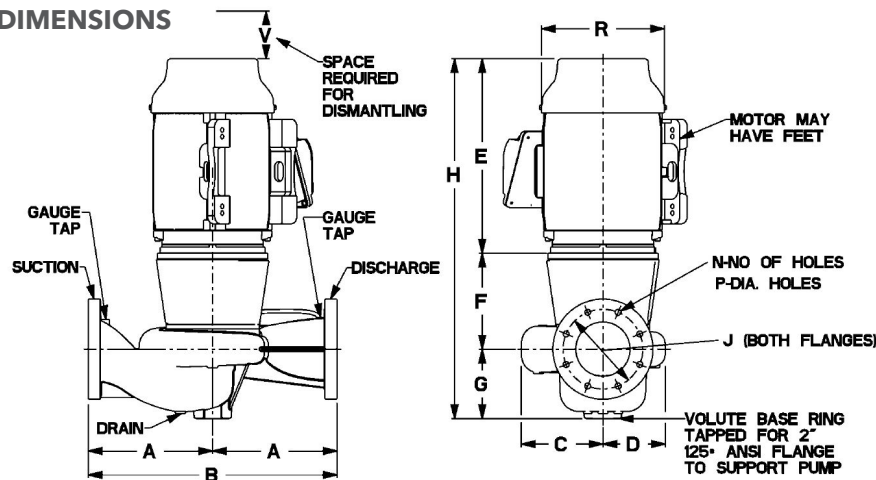


Construction Materials (for parts in contact with fluid pumped)

DESCRIPTION	STAINLESS STEEL FITTED PUMP	
1. Shaft	Carbon Steel	
2. Volute	Cast Iron ASTM A48, Class B	
3. Impeller	ASTM A743 Grade CF8 (304SS)	
4. Shaft Sleeve	Stainless Steel	
5. Impeller Key	#304 Stainless Steel	
6. Volute Gasket	Cellulose Fiber	
7. Seal Assemblies		
A. Standard Seal *		STANDARD SEALS Buna-PH Limitations 7-9; Temperature Range -20° to +225°F EPT-PH Limitations 7-11; Temperature Range -20° to +250°F. For use on open or closed clear water systems. Maximum working pressure 175 psi.
Bellows	Buna-N	
Faces	Carbon-Ceramic	
Metal Parts	Brass or Stainless Steel	
Spring	Stainless Steel	
B. Flushed Single Seal		
For Stuffing Box Design		
O-Rings	EPR	
Faces	Carbon-Tungsten Carbide	
Metal Parts	Stainless Steel	
Spring	Stainless Steel	
C. Flushed Double Seal		
O-Rings	EPR	
Faces	Carbon-Ceramic	
Metal Parts	Stainless Steel	
D. Packed Type		
Packing	Impregnated Braided Yarn	
Gland	Bronze	
Lantern Ring	Glass Filled TFE	

Commercial Water

DIMENSIONS



KEY FOR MATCHING 125# ANSI FLANGES TO VOLUTE BASE RING FOR PUMP SUPPORT

PUMP SIZE	FLANGE SIZE	PUMP SIZE	FLANGE SIZE
1½ x 7	1"	2½ x 9½	2"
2 x 7	1½"	3 x 9½	3"
2½ x 7	2"	4 x 9½	3"
3 x 7	2"	5 x 9½	3"
4 x 7	3"	6 x 9½	3"
4 x 13.5	3"	8 x 9½	3"
5 x 7	3"	3 x 11	3"
5 x 13.5	3"	4 x 11	3"
6 x 7	3"	6 x 11	3"
1½ x 9½	1"	8 x 11	3"
2 x 9½	2"		

PUMP FLANGES in inches (mm)

PIPE SIZE	OUTER DIAMETER	THICKNESS	PIPE SIZE	OUTER DIAMETER	THICKNESS
1½	6 (152)	1¾/16 (30)	4	9½ (241)	1¼ (32)
2	6¼ (159)	7/8 (22)	5	10¾ (273)	1¾/8 (35)
2½	7¾/8 (187)	1 (25)	6	12¾/8 (308)	1¾/16 (37)
3	8 (203)	1½/8 (30)	8	14¾ (375)	1¾/8 (41)

DIMENSIONS in inches (mm)

MOTOR FRAME	A	B	C	D	E (max)	F	G	H (max)	125# ANSI			250# ANSI			R	S (Max)*	V (min)	Suct/Disch Gauge Taps (NPT)	Drain Tap (NPT)
									J	N	P	J	N	P					
1.5x1.5x7C STANDARD SEAL																			
143JM					11.63 (295)			20.83 (529)							9.75 (248)	1.50 (38)			
145JM					12.63 (321)			21.83 (554)							9.75 (248)	1.50 (38)			
182JM	8.00 (203)	16.00 (406)	4.57 (116)	4.61 (117)	15.31 (389)	4.63 (117)	4.58 (116)	24.52 (623)	3.88 (98)	4	0.63 (16)	4.50 (114)	4	0.88 (22)	11.75 (298)	1.00 (25)	4.00 (102)	0.25	0.25
184JM					15.31 (389)			24.52 (623)							11.75 (298)	1.00 (25)			
213JM					19.25 (489)			28.45 (723)							14.00 (356)	-			
215JM					19.25 (489)			28.45 (723)							14.00 (356)	-			
1.5x1.5x7C STUFFING BOX																			
143JM					11.63 (295)			23.95 (608)							9.75 (248)	1.50 (38)			
145JM					12.63 (321)			24.95 (634)							9.75 (248)	1.50 (38)			
182JM	8.00 (203)	16.00 (406)	4.57 (116)	4.61 (117)	15.31 (389)	7.75 (197)	4.58 (116)	27.64 (702)	3.88 (98)	4	0.63 (16)	4.50 (114)	4	0.88 (22)	11.75 (298)	1.00 (25)	4.00 (102)	0.25	0.25
184JM					15.31 (389)			27.64 (702)							11.75 (298)	1.00 (25)			
1.5x1.5x9.5C STANDARD SEAL																			
143JM					11.63 (295)	4.69 (119)		20.81 (529)							9.75 (248)	1.50 (38)			
145JM					12.63 (321)	4.69 (119)		21.81 (554)							9.75 (248)	1.50 (38)			
182JM					15.31 (389)	4.69 (119)		24.50 (622)							11.75 (298)	1.00 (25)			
184JM					15.31 (389)	4.69 (119)		24.50 (622)							11.75 (298)	1.00 (25)			
213JM	9.50 (241)	19.00 (483)	5.86 (149)	6.16 (156)	19.25 (489)	4.69 (119)	4.50 (114)	28.44 (722)	3.88 (98)	4	0.63 (16)	4.50 (114)	4	0.88 (22)	14.00 (356)	-	4.00 (102)	0.25	0.25
215JM					19.25 (489)	4.69 (119)		28.44 (722)							14.00 (356)	-			
254JM					24.13 (613)	5.69 (144)		34.31 (872)							17.00 (432)	-			
256JM					24.13 (613)	5.69 (144)		34.31 (872)							17.00 (432)	-			
284JM					23.63 (600)	5.69 (144)		33.81 (859)							16.13 (410)	4.63 (117)			
286JM					25.13 (638)	5.69 (144)		35.31 (897)							16.13 (410)	4.63 (117)			

*For 1 phase motors add 1" maximum to dimensions E & H. *For TEFC Motors add S dimensions to dimensions E & H. Dimensions subject to change without notice. Do not use for construction purposes.

Commercial Water

DIMENSIONS in inches (mm)

MOTOR FRAME	A	B	C	D	E (max)	F	G	H (max)	125# ANSI			250# ANSI			R	S (Max)*	V (min)	Suct/Disch Gauge Taps (NPT)	Drain Tap (NPT)
									J	N	P	J	N	P					
1.5x1.5x9.5C STUFFING BOX																			
143JP	9.50 (241)	19.00 (483)	5.86 (149)	6.16 (156)	11.63 (295)	7.81 (198)	4.50 (114)	23.94 (608)	3.88 (98)	4	0.63 (16)	4.50 (114)	4	0.88 (22)	9.75 (248)	1.50 (38)	4.00 (102)	0.25	0.25
145JP					12.63 (321)	7.69 (195)		24.81 (630)							9.75 (248)	1.50 (38)			
182JP					15.31 (389)	7.81 (198)		27.63 (702)							11.75 (298)	1.00 (25)			
184JP					15.31 (389)	7.81 (198)		27.63 (702)							11.75 (298)	1.00 (25)			
213JP					19.25 (489)	8.56 (217)		32.31 (821)							14.00 (356)	-			
215JP					19.25 (489)	8.56 (217)		32.31 (821)							14.00 (356)	-			
254JP					24.13 (613)	8.56 (217)		37.19 (945)							17.00 (432)	-			
256JP					24.13 (613)	8.56 (217)		37.19 (945)							17.00 (432)	-			
284JP					23.63 (600)	8.56 (217)		36.69 (932)							16.13 (410)	4.63 (117)			
286JP					25.13 (638)	8.56 (217)		38.19 (970)							16.13 (410)	4.63 (117)			
2x2x7B STANDARD SEAL																			
143JM	8.50 (216)	17.00 (432)	4.65 (118)	5.12 (130)	11.63 (295)	4.63 (117)	5.13 (130)	21.38 (543)	4.75 (121)	4	0.75 (19)	5.00 (127)	8	0.75 (19)	9.75 (248)	1.50 (38)	4.00 (102)	0.25	0.25
145JM					12.63 (321)	4.63 (117)		22.38 (568)							9.75 (248)	1.50 (38)			
182JM					15.31 (389)	4.63 (117)		25.06 (637)							11.75 (298)	1.00 (25)			
184JM					15.31 (389)	4.63 (117)		25.06 (637)							11.75 (298)	1.00 (25)			
213JM					19.25 (489)	4.63 (117)		29.00 (737)							14.00 (356)	-			
215JM					19.25 (489)	4.63 (117)		29.00 (737)							14.00 (356)	-			
254JM					24.13 (613)	5.63 (143)		34.88 (886)							17.00 (432)	-			
2x2x7B STUFFING BOX																			
143JP	8.50 (216)	17.00 (432)	4.65 (118)	5.12 (130)	11.63 (295)	7.75 (197)	5.13 (130)	24.50 (622)	4.75 (121)	4	0.75 (19)	5.00 (127)	8	0.75 (19)	9.75 (248)	1.50 (38)	4.00 (102)	0.25	0.25
145JP					12.63 (321)	7.75 (197)		25.50 (648)							9.75 (248)	1.50 (38)			
182JP					15.31 (389)	7.75 (197)		28.19 (716)							11.75 (298)	1.00 (25)			
184JP					15.31 (389)	7.75 (197)		28.19 (716)							11.75 (298)	1.00 (25)			
213JP					19.25 (489)	8.50 (216)		32.88 (835)							14.00 (356)	-			
215JP					19.25 (489)	8.50 (216)		32.88 (835)							14.00 (356)	-			
254JP					24.13 (613)	8.50 (216)		37.75 (959)							17.00 (432)	-			
2x2x9.5C STANDARD SEAL																			
145JM	10.00 (254)	20.00 (508)	6.00 (152)	6.50 (165)	12.63 (321)	4.75 (121)	5.38 (137)	22.75 (578)	4.75 (121)	4	0.75 (19)	5.00 (127)	8	0.75 (19)	9.75 (248)	1.50 (38)	4.50 (114)	0.25	0.25
182JM					15.31 (389)	4.75 (121)		25.44 (646)							11.75 (298)	1.00 (25)			
184JM					15.31 (389)	4.75 (121)		25.44 (646)							11.75 (298)	1.00 (25)			
213JM					19.25 (489)	4.75 (121)		29.38 (746)							14.00 (356)	-			
215JM					19.25 (489)	4.75 (121)		29.38 (746)							14.00 (356)	-			
254JM					24.13 (613)	5.75 (146)		35.25 (895)							17.00 (432)	-			
256JM					24.13 (613)	5.75 (146)		35.25 (895)							17.00 (432)	-			
284JM					23.63 (600)	5.75 (146)		34.75 (883)							16.13 (410)	4.63 (117)			
286JM					25.13 (638)	5.75 (146)		36.25 (921)							16.13 (410)	4.63 (117)			
324JM					26.00 (660)	5.75 (146)		37.13 (943)							18.75 (476)	5.38 (137)			

*For 1 phase motors add 1" maximum to dimensions E & H.

Dimensions subject to change without notice. Do not use for construction purposes.

Commercial Water

DIMENSIONS in inches (mm)

MOTOR FRAME	A	B	C	D	E (max)	F	G	H (max)	125# ANSI			250# ANSI			R	S (Max)*	V (min)	Suct/Disch Gauge Taps (NPT)	Drain Tap (NPT)
									J	N	P	J	N	P					
2x2x9.5C STUFFING BOX																			
145JP	10.00 (254)	20.00 (508)	6.00 (152)	6.50 (165)	12.63 (321)	7.88 (200)	5.38 (137)	25.88 (657)	4.75 (121)	4	0.75 (19)	5.00 (127)	8	0.75 (19)	9.75 (248)	1.50 (38)	4.50 (114)	0.25	0.25
182JP					15.31 (389)	7.88 (200)		28.56 (725)							11.75 (298)	1.00 (25)			
184JP					15.31 (389)	7.88 (200)		28.56 (725)							11.75 (298)	1.00 (25)			
213JP					19.25 (489)	8.63 (219)		33.25 (845)							14.00 (356)	-			
215JP					19.25 (489)	8.63 (219)		33.25 (845)							14.00 (356)	-			
254JP					24.13 (613)	8.63 (219)		38.13 (968)							17.00 (432)	-			
256JP					24.13 (613)	8.63 (219)		38.13 (968)							17.00 (432)	-			
284JP					23.63 (600)	8.63 (219)		37.63 (956)							16.13 (410)	4.63 (117)			
286JP					25.13 (638)	8.63 (219)		39.13 (994)							16.13 (410)	4.63 (117)			
324JP					26.00 (660)	8.63 (219)		40.00 (1016)							18.75 (476)	5.38 (137)			
2.5x2.5x7B STANDARD SEAL																			
143JM	9.00 (229)	18.00 (457)	4.70 (119)	5.46 (139)	11.63 (295)	4.88 (124)	5.40 (137)	21.90 (556)	5.50 (140)	4	0.75 (19)	5.88 (149)	8	0.88 (22)	9.75 (248)	1.50 (38)	4.50 (114)	0.25	0.25
145JM					12.63 (321)	4.88 (124)		22.90 (582)							9.75 (248)	1.50 (38)			
182JM					15.31 (389)	4.88 (124)		25.59 (650)							11.75 (298)	1.00 (25)			
184JM					15.31 (389)	4.88 (124)		25.59 (650)							11.75 (298)	1.00 (25)			
213JM					19.25 (489)	4.88 (124)		29.53 (750)							14.00 (356)	-			
215JM					19.25 (489)	4.88 (124)		29.53 (750)							14.00 (356)	-			
254JM					24.13 (613)	5.88 (149)		35.40 (899)							17.00 (432)	-			
2.5x2.5x7B STUFFING BOX																			
143JP	9.00 (229)	18.00 (457)	4.70 (119)	5.46 (139)	11.63 (295)	8.00 (203)	5.40 (137)	25.03 (636)	5.50 (140)	4	0.75 (19)	5.88 (149)	8	0.88 (22)	9.75 (248)	1.50 (38)	4.50 (114)	0.25	0.25
145JP					12.63 (321)	8.00 (203)		26.03 (661)							9.75 (248)	1.50 (38)			
182JP					15.31 (389)	8.00 (203)		28.71 (729)							11.75 (298)	1.00 (25)			
184JP					15.31 (389)	8.00 (203)		28.71 (729)							11.75 (298)	1.00 (25)			
213JP					19.25 (489)	8.75 (222)		33.40 (848)							14.00 (356)	-			
215JP					19.25 (489)	8.75 (222)		33.40 (848)							14.00 (356)	-			
254JP					24.13 (613)	8.75 (222)		38.28 (972)							17.00 (432)	-			
2.5x2.5x9.5C STANDARD SEAL																			
145JM	10.75 (273)	21.50 (546)	5.96 (151)	7.06 (179)	12.63 (321)	4.81 (122)	6.00 (152)	23.44 (595)	5.50 (140)	4	0.75 (19)	5.88 (149)	8	0.88 (22)	9.75 (248)	1.50 (38)	4.75 (121)	0.25	0.25
182JM					15.31 (389)	4.81 (122)		26.13 (664)							11.75 (298)	1.00 (25)			
184JM					15.31 (389)	4.81 (122)		26.13 (664)							11.75 (298)	1.00 (25)			
213JM					19.25 (489)	4.81 (122)		30.06 (764)							14.00 (356)	-			
215JM					19.25 (489)	4.81 (122)		30.06 (764)							14.00 (356)	-			
254JM					24.13 (613)	5.81 (148)		35.94 (913)							17.00 (432)	-			
256JM					24.13 (613)	5.81 (148)		35.94 (913)							17.00 (432)	-			
284JM					23.63 (600)	5.81 (148)		35.44 (900)							16.13 (410)	4.63 (117)			
286JM					25.13 (638)	5.81 (148)		36.94 (938)							16.13 (410)	4.63 (117)			
324JM					26.00 (660)	5.81 (148)		37.81 (960)							18.75 (476)	5.38 (137)			
326JM					26.00 (660)	5.81 (148)		37.81 (960)							18.75 (476)	5.38 (137)			

*For 1 phase motors add 1" maximum to dimensions E & H.

Dimensions subject to change without notice. Do not use for construction purposes.

Commercial Water

DIMENSIONS in inches (mm)

MOTOR FRAME	A	B	C	D	E (max)	F	G	H (max)	125# ANSI			250# ANSI			R	S (Max)*	V (min)	Suct/Disch Gauge Taps (NPT)	Drain Tap (NPT)
									J	N	P	J	N	P					
2.5x2.5x9.5C STUFFING BOX																			
145JP	10.75 (273)	21.50 (546)	5.96 (151)	7.06 (179)	12.63 (321)	7.94 (202)	6.00 (152)	26.56 (675)	5.50 (140)	4	0.75 (19)	5.88 (149)	8	0.88 (22)	9.75 (248)	1.50 (38)	0.25	0.25	
182JP					15.31 (389)	7.94 (202)		29.25 (743)							11.75 (298)	1.00 (25)			
184JP					15.31 (389)	7.94 (202)		29.25 (743)							11.75 (298)	1.00 (25)			
213JP					19.25 (489)	8.69 (221)		33.94 (862)							14.00 (356)	-			
215JP					19.25 (489)	8.69 (221)		33.94 (862)							14.00 (356)	-			
254JP					24.13 (613)	8.69 (221)		38.81 (986)							17.00 (432)	-			
256JP					24.13 (613)	8.69 (221)		38.81 (986)							17.00 (432)	-			
284JP					23.63 (600)	8.69 (221)		38.31 (973)							16.13 (410)	4.63 (117)			
286JP					25.13 (638)	8.69 (221)		39.81 (1011)							16.13 (410)	4.63 (117)			
324JP					26.00 (660)	8.69 (221)		40.69 (1033)							18.75 (476)	5.38 (137)			
326JP					26.00 (660)	8.69 (221)		40.69 (1033)							18.75 (476)	5.38 (137)			

3x3x7C STANDARD SEAL

143JM	9.50 (241)	19.00 (483)	4.98 (126)	6.25 (159)	11.63 (295)	4.88 (124)	5.85 (149)	22.35 (568)	6.00 (152)	4	0.75 (19)	6.63 (168)	8	0.88 (22)	9.75 (248)	1.50 (38)	4.50 (114)	0.25	0.25
145JM			4.98 (126)		12.63 (321)	4.88 (124)	5.85 (149)	23.35 (593)	6.00 (152)		0.75 (19)	6.63 (168)	8		9.75 (248)	1.50 (38)	4.50 (114)		
182JM			4.98 (126)		15.31 (389)	4.88 (124)	5.85 (149)	26.04 (661)	6.00 (152)		0.75 (19)	6.63 (168)	8		11.75 (298)	1.00 (25)	4.50 (114)		
184JM			4.98 (126)		15.31 (389)	4.88 (124)	5.85 (149)	26.04 (661)	6.00 (152)		0.75 (19)	6.63 (168)	8		11.75 (298)	1.00 (25)	4.50 (114)		
213JM			4.98 (126)		19.25 (489)	4.88 (124)	5.85 (149)	29.98 (761)	6.00 (152)		0.75 (19)	6.63 (168)	8		14.00 (356)	-	4.50 (114)		
215JM			4.98 (126)		19.25 (489)	4.88 (124)	5.85 (149)	29.98 (761)	6.00 (152)		0.75 (19)	6.63 (168)	8		14.00 (356)	-	4.50 (114)		
254JM			4.98 (126)		24.13 (613)	5.88 (149)	5.85 (149)	35.85 (911)	6.00 (152)		0.75 (19)	6.63 (168)	8		17.00 (432)	-	4.50 (114)		
256JM			4.98 (126)		24.13 (613)	5.88 (149)	5.85 (149)	35.85 (911)	6.00 (152)		0.75 (19)	6.63 (168)	8		17.00 (432)	-	4.50 (114)		
284JM			5.88 (149)		23.63 (600)	8.56 (217)	4.50 (114)	36.75 (933)	3.88 (98)		0.63 (16)	4.50 (114)	4		16.13 (410)	4.63 (117)	4.00 (102)		
286JM			5.88 (149)		25.13 (638)	8.56 (217)	4.50 (114)	38.25 (972)	3.88 (98)		0.63 (16)	4.50 (114)	4		16.13 (410)	4.63 (117)	4.00 (102)		

3x3x7C STUFFING BOX

143JP	9.50 (241)	19.00 (483)	4.98 (126)	6.25 (159)	11.63 (295)	8.00 (203)	5.85 (149)	25.48 (647)	6.00 (152)	4	0.75 (19)	6.63 (168)	8	0.88 (22)	9.75 (248)	1.50 (38)	4.50 (114)	0.25	0.25
145JP			4.98 (126)		12.63 (321)	8.00 (203)	5.85 (149)	26.48 (672)	6.00 (152)		0.75 (19)	6.63 (168)	8		9.75 (248)	1.50 (38)	4.50 (114)		
182JP			4.98 (126)		15.31 (389)	8.00 (203)	5.85 (149)	29.16 (741)	6.00 (152)		0.75 (19)	6.63 (168)	8		11.75 (298)	1.00 (25)	4.50 (114)		
184JP			4.98 (126)		15.31 (389)	8.00 (203)	5.85 (149)	29.16 (741)	6.00 (152)		0.75 (19)	6.63 (168)	8		11.75 (298)	1.00 (25)	4.50 (114)		
213JP			4.98 (126)		19.25 (489)	8.75 (222)	5.85 (149)	33.85 (860)	6.00 (152)		0.75 (19)	6.63 (168)	8		14.00 (356)	-	4.50 (114)		
215JP			4.98 (126)		19.25 (489)	8.38 (213)	5.85 (149)	33.48 (850)	6.00 (152)		0.75 (19)	6.63 (168)	8		14.00 (356)	-	4.50 (114)		
254JP			4.98 (126)		24.13 (613)	8.75 (222)	5.85 (149)	38.73 (984)	6.00 (152)		0.75 (19)	6.63 (168)	8		17.00 (432)	-	4.50 (114)		
256JP			4.98 (126)		24.13 (613)	8.75 (222)	5.85 (149)	38.73 (984)	6.00 (152)		0.75 (19)	6.63 (168)	8		17.00 (432)	-	4.50 (114)		
284JP			5.88 (149)		23.63 (600)	8.56 (217)	4.50 (114)	36.75 (933)	3.88 (98)		0.63 (16)	4.50 (114)	4		16.13 (410)	4.63 (117)	4.00 (102)		
286JP			5.88 (149)		25.13 (638)	8.56 (217)	4.50 (114)	38.13 (968)	3.88 (98)		0.63 (16)	4.50 (114)	4		16.13 (410)	4.63 (117)	4.00 (102)		

*For 1 phase motors add 1" maximum to dimensions E & H.

Dimensions subject to change without notice. Do not use for construction purposes.

Commercial Water

DIMENSIONS in inches (mm)

MOTOR FRAME	A	B	C	D	E (max)	F	G	H (max)	125# ANSI			250# ANSI			R	S (Max)*	V (min)	Suct/Disch Gauge Taps (NPT)	Drain Tap (NPT)
									J	N	P	J	N	P					
3x3x9.5C STANDARD SEAL																			
184JM	11.50 (292)	23.00 (584)	6.53 (166)	7.40 (188)	15.38 (391)	4.81 (122)	6.13 (156)	26.31 (668)	6.00 (152)	4	0.75 (19)	6.63 (168)	8	0.88 (22)	11.75 (298)	0.31 (8)	4.50 (114)	0.25	0.25
213JM					19.25 (489)	4.81 (122)		30.19 (767)							14.00 (356)	1.00 (25)			
215JM					19.25 (489)	4.81 (122)		30.19 (767)							14.00 (356)	2.50 (64)			
254JM					24.13 (613)	5.81 (148)		36.06 (916)							17.00 (432)	1.00 (25)			
256JM					24.13 (613)	5.81 (148)		36.06 (916)							17.00 (432)	2.75 (70)			
284JM					22.63 (575)	5.81 (148)		34.56 (878)							16.13 (410)	5.63 (143)			
286JM					24.13 (613)	5.81 (148)		36.06 (916)							16.13 (410)	5.25 (133)			
324JM					26.00 (660)	5.81 (148)		37.94 (964)							18.75 (476)	5.38 (137)			
326JM					26.00 (660)	5.81 (148)		37.94 (964)							18.75 (476)	6.88 (175)			
3x3x9.5C STUFFING BOX																			
184JP	11.50 (292)	23.00 (584)	6.53 (166)	7.40 (188)	15.38 (391)	7.94 (202)	6.13 (156)	29.44 (748)	6.00 (152)	4	0.75 (19)	6.63 (168)	8	0.88 (22)	11.75 (298)	0.31 (8)	4.50 (114)	0.25	0.25
213JP					19.25 (489)	8.69 (221)		34.06 (865)							14.00 (356)	1.00 (25)			
215JP					19.25 (489)	8.69 (221)		34.06 (865)							14.00 (356)	2.50 (64)			
254JP					24.13 (613)	8.69 (221)		38.94 (989)							17.00 (432)	1.00 (25)			
256JP					24.13 (613)	8.69 (221)		38.94 (989)							17.00 (432)	2.75 (70)			
284JP					22.63 (575)	8.69 (221)		37.44 (951)							16.13 (410)	5.63 (143)			
286JP					24.13 (613)	8.69 (221)		38.94 (989)							16.13 (410)	5.25 (133)			
324JP					26.00 (660)	8.69 (221)		40.81 (1037)							18.75 (476)	5.38 (137)			
326JP					26.00 (660)	8.69 (221)		40.81 (1037)							18.75 (476)	6.88 (175)			
3x3x11B STANDARD SEAL																			
213JM	12.00 (305)	24.00 (610)	6.99 (177)	7.13 (181)	19.25 (489)	4.19 (106)	6.75 (171)	30.19 (767)	6.00 (152)	4	0.75 (19)	6.63 (168)	8	0.88 (22)	14.00 (356)	-	5.75 (146)	0.25	0.25
215JM					19.25 (489)	4.19 (106)		30.19 (767)							14.00 (356)	-			
254JM					24.13 (613)	4.67 (119)		35.54 (903)							17.00 (432)	-			
256JM					24.13 (613)	4.67 (119)		35.54 (903)							17.00 (432)	-			
284JM					23.63 (600)	4.67 (119)		35.04 (890)							16.13 (410)	4.63 (117)			
286JM					25.13 (638)	4.67 (119)		35.54 (903)							16.13 (410)	4.63 (117)			
324JM					26.00 (660)	4.67 (119)		37.42 (950)							18.75 (476)	4.63 (117)			
326JM					26.00 (660)	4.67 (119)		37.42 (950)							18.75 (476)	4.63 (117)			
3x3x11B STUFFING BOX																			
213JP	12.00 (305)	24.00 (610)	6.99 (177)	7.13 (181)	19.25 (489)	7.19 (183)	6.75 (171)	33.19 (843)	6.00 (152)	4	0.75 (19)	6.63 (168)	8	0.88 (22)	14.00 (356)	-	5.75 (146)	0.25	0.25
215JP					19.25 (489)	7.19 (183)		33.19 (843)							14.00 (356)	-			
254JP					24.13 (613)	7.50 (191)		38.38 (975)							17.00 (432)	-			
256JP					24.13 (613)	7.50 (191)		38.38 (975)							17.00 (432)	-			
284JP					23.63 (600)	7.50 (191)		37.88 (962)							16.13 (410)	4.63 (117)			
286P					25.13 (638)	7.50 (191)		39.38 (1000)							16.13 (410)	4.63 (117)			
324JP					26.00 (660)	7.50 (191)		40.25 (1022)							18.75 (476)	4.63 (117)			
326JP					26.00 (660)	7.50 (191)		40.25 (1022)							18.75 (476)	4.63 (117)			
284JP					9.50 (241)	19.00 (483)		5.88 (149)							6.25 (159)	23.63 (600)			
286JP					25.13 (638)	8.56 (217)	4.50 (114)	38.13 (968)	3.88 (98)	0.63 (16)	4.50 (114)	4	16.13 (410)	4.63 (117)	4.00 (102)				

*For 1 phase motors add 1" maximum to dimensions E & H.

Dimensions subject to change without notice. Do not use for construction purposes.

Commercial Water

DIMENSIONS in inches (mm)

MOTOR FRAME	A	B	C	D	E (max)	F	G	H (max)	125# ANSI			250# ANSI			R	S (Max)*	V (min)	Suct/Disch Gauge Taps (NPT)	Drain Tap (NPT)											
									J	N	P	J	N	P																
4x4x7B STANDARD SEAL																														
145JM	10.50 (267)	21.00 (533)	5.28 (134)	6.53 (166)	12.63 (321)	5.13 (130)	6.57 (167)	24.32 (618)	7.50 (191)	8	0.75 (19)	7.88 (200)	8	0.88 (22)	9.75 (248)	1.50 (38)	5.00 (127)	0.25	0.25											
182JM					15.31 (389)	5.13 (130)		27.01 (686)							11.75 (298)	1.00 (25)														
184JM					15.31 (389)	5.13 (130)		27.01 (686)							11.75 (298)	1.00 (25)														
213JM					19.25 (489)	5.13 (130)		30.94 (786)							14.00 (356)	-														
215JM					19.25 (489)	5.13 (130)		30.94 (786)							14.00 (356)	-														
254JM					24.13 (613)	6.13 (156)		36.82 (935)							17.00 (432)	-														
256JM					24.13 (613)	6.13 (156)		36.82 (935)							17.00 (432)	-														
284JM					23.63 (600)	6.13 (156)		36.32 (922)							16.13 (410)	4.63 (117)														
286JP					9.50 (241)	19.00 (483)		5.88 (149)							6.25 (159)	25.13 (638)				8.56 (217)	4.50 (114)	38.25 (972)	3.88 (98)	4	0.63 (16)	4.50 (114)	4	16.13 (410)	4.63 (117)	4.00 (102)
4x4x7B STUFFING BOX																														
145JM	10.50 (267)	21.00 (533)	5.28 (134)	6.53 (166)	12.63 (321)	8.25 (210)	6.57 (167)	27.44 (697)	7.50 (191)	8	0.75 (19)	7.88 (200)	8	0.88 (22)	9.75 (248)	1.50 (38)	5.00 (127)	0.25	0.25											
182JM					15.31 (389)	8.25 (210)		30.13 (765)							11.75 (298)	1.00 (25)														
184JM					15.31 (389)	8.25 (210)		30.13 (765)							11.75 (298)	1.00 (25)														
213JM					19.25 (489)	9.00 (229)		34.82 (884)							14.00 (356)	-														
215JM					19.25 (489)	9.00 (229)		34.82 (884)							14.00 (356)	-														
254JP					24.13 (613)	9.00 (229)		39.69 (1008)							17.00 (432)	-														
256JP					24.13 (613)	9.00 (229)		39.69 (1008)							17.00 (432)	-														
284JP					23.63 (600)	9.00 (229)		39.19 (995)							16.13 (410)	4.63 (117)														
286JP					9.50 (241)	19.00 (483)		5.88 (149)							6.25 (159)	25.13 (638)				8.56 (217)	4.50 (114)	38.13 (968)	3.88 (98)	4	0.63 (16)	4.50 (114)	4	16.13 (410)	4.63 (117)	4.00 (102)
4x4x9.5B STANDARD SEAL																														
182JM	12.50 (318)	25.00 (635)	6.51 (165)	7.94 (202)	15.31 (389)	5.13 (130)	7.25 (184)	27.69 (703)	7.50 (191)	8	0.75 (19)	7.88 (200)	8	0.88 (22)	11.75 (298)	1.00 (25)	5.00 (127)	0.25	0.25											
184JM					15.31 (389)	5.13 (130)		27.69 (703)							11.75 (298)	1.00 (25)														
213JM					19.25 (489)	5.13 (130)		31.62 (803)							14.00 (356)	-														
215JM					19.25 (489)	5.13 (130)		31.62 (803)							14.00 (356)	-														
254JM					24.13 (613)	6.13 (156)		37.50 (952)							17.00 (432)	-														
					24.13 (613)	6.13 (156)		37.50 (952)							17.00 (432)	-														
4x4x9.5B STUFFING BOX																														
182JP	12.50 (318)	25.00 (635)	6.51 (165)	7.94 (202)	15.31 (389)	8.13 (206)	7.25 (184)	30.69 (779)	7.50 (191)	8	0.75 (19)	7.88 (200)	8	0.88 (22)	11.75 (298)	1.00 (25)	5.00 (127)	0.25	0.25											
184JP					15.31 (389)	8.25 (210)		30.81 (783)							11.75 (298)	1.00 (25)														
213JP					19.25 (489)	9.00 (229)		35.50 (902)							14.00 (356)	-														
215JP					19.25 (489)	9.00 (229)		35.50 (902)							14.00 (356)	-														
254JP					24.13 (613)	9.00 (229)		40.37 (1026)							17.00 (432)	-														
					24.13 (613)	9.00 (229)		40.37 (1026)							17.00 (432)	-														
4x4x11B STANDARD SEAL																														
184JM	13.00 (330)	26.00 (660)	7.01 (178)	8.22 (209)	15.31 (389)	4.38 (111)	7.50 (191)	27.19 (691)	7.50 (191)	8	0.75 (19)	7.88 (200)	8	0.88 (22)	11.38 (289)	1.00 (25)	5.25 (133)	0.25	0.25											
213JM					19.25 (489)	4.38 (111)		31.13 (791)							14.00 (356)	-														
215JM					19.25 (489)	4.38 (111)		31.13 (791)							14.00 (356)	-														
254JM					24.13 (613)	4.86 (123)		36.48 (927)							17.00 (432)	-														
					24.13 (613)	4.86 (123)		36.48 (927)							17.00 (432)	-														

*For 1 phase motors add 1" maximum to dimensions E & H.

Dimensions subject to change without notice. Do not use for construction purposes.

Commercial Water

DIMENSIONS in inches (mm)

MOTOR FRAME	A	B	C	D	E (max)	F	G	H (max)	125# ANSI			250# ANSI			R	S (Max)*	V (min)	Suct/Disch Gauge Taps (NPT)	Drain Tap (NPT)
									J	N	P	J	N	P					
4x4x11B STUFFING BOX																			
184JP	13.00 (330)	26.00 (660)	7.01 (178)	8.22 (209)	15.31 (389)	7.38 (187)	7.50 (191)	30.19 (767)	7.50 (191)	8	0.75 (19)	7.88 (200)	8	0.88 (22)	11.38 (289)	1.00 (25)	5.25 (133)	0.25	0.25
213JP					19.25 (489)	7.38 (187)		34.13 (867)							14.00 (356)	-			
215JP					19.25 (489)	7.38 (187)		34.13 (867)							14.00 (356)	-			
254JP					24.13 (613)	7.69 (195)		39.31 (999)							17.00 (432)	-			
256JP					24.13 (613)	7.69 (195)		39.31 (999)							17.00 (432)	-			
284JP					23.63 (600)	8.56 (217)		4.50 (114)							36.75 (933)	16.13 (410)			
286JP	25.13 (638)	8.56 (217)	4.50 (114)	38.13 (968)	16.13 (410)	4.63 (117)													
4x4x13.5 STANDARD SEAL																			
254JM	14.50 (368)	29.00 (737)	8.28 (210)	9.42 (239)	24.13 (613)	4.48 (114)	8.02 (204)	36.63 (930)	7.50 (191)	8	0.75 (19)	7.88 (200)	8	0.88 (22)	17.00 (432)	-	5.75 (146)	0.25	0.25
256JM					24.13 (613)			36.63 (930)							17.00 (432)	-			
284JM					23.63 (600)			36.13 (918)							16.13 (410)	4.63 (117)			
286JM					25.13 (638)			37.63 (956)							16.13 (410)	4.63 (117)			
324JM					26.00 (660)			38.50 (978)							18.75 (476)	4.63 (117)			
326JM					26.00 (660)			38.50 (978)							18.75 (476)	4.63 (117)			
4x4x13.5 STUFFING BOX																			
254JP	14.50 (368)	29.00 (737)	8.28 (210)	9.42 (239)	24.13 (613)	7.38 (187)	8.02 (204)	39.52 (1004)	7.50 (191)	8	0.75 (19)	7.88 (200)	8	0.88 (22)	17.00 (432)	-	5.75 (146)	0.25	0.25
256JP					24.13 (613)			39.52 (1004)							17.00 (432)	-			
284JP					23.63 (600)			39.02 (991)							16.13 (410)	4.63 (117)			
286JP					25.13 (638)			40.52 (1029)							16.13 (410)	4.63 (117)			
324JP					26.00 (660)			41.40 (1052)							18.75 (476)	4.63 (117)			
284JP					26.00 (660)			36.75 (933)							16.13 (410)	4.63 (117)			
286JP	25.13 (638)	4.50 (114)	38.13 (968)	16.13 (410)	4.63 (117)														
326JP	26.00 (660)	8.02 (204)	41.40 (1052)	7.50 (191)	8	0.75 (19)	7.88 (200)	8	18.75 (476)	4.63 (117)	5.75 (146)								
5x5x7B STANDARD SEAL																			
145JM	12.00 (305)	24.00 (610)	5.69 (145)	8.31 (211)	12.63 (321)	5.50 (140)	7.28 (185)	25.41 (645)	8.50 (216)	8	0.88 (22)	9.25 (235)	8	0.88 (22)	9.75 (248)	1.50 (38)	4.50 (114)	0.25	0.25
182JM					15.31 (389)	5.50 (140)		28.09 (714)							11.75 (298)	1.00 (25)			
184JM					15.31 (389)	5.50 (140)		28.09 (714)							11.75 (298)	1.00 (25)			
213JM					19.25 (489)	5.50 (140)		32.03 (814)							14.00 (356)	-			
215JM					19.25 (489)	5.50 (140)		32.03 (814)							14.00 (356)	-			
254JM					24.13 (613)	6.50 (165)		37.91 (963)							17.00 (432)	-			
256JM					24.13 (613)	6.50 (165)		37.91 (963)							17.00 (432)	-			
284JM					23.63 (600)	6.50 (165)		37.41 (950)							16.13 (410)	4.63 (117)			
286JM					25.13 (638)	6.50 (165)		38.91 (988)							16.13 (410)	4.63 (117)			
324JM					26.00 (660)	6.50 (165)		39.78 (1010)							18.75 (476)	4.63 (117)			
326JM					26.00 (660)	6.50 (165)		39.78 (1010)							18.75 (476)	4.63 (117)			

*For 1 phase motors add 1" maximum to dimensions E & H.

Dimensions subject to change without notice. Do not use for construction purposes.

Commercial Water

DIMENSIONS in inches (mm)

MOTOR FRAME	A	B	C	D	E (max)	F	G	H (max)	125# ANSI			250# ANSI			R	S (Max)*	V (min)	Suct/Disch Gauge Taps (NPT)	Drain Tap (NPT)
									J	N	P	J	N	P					
5x5x7B STUFFING BOX																			
145JP	12.00 (305)	24.00 (610)	5.69 (145)	8.31 (211)	12.63 (321)	8.63 (219)	7.28 (185)	28.53 (725)	8.50 (216)	8	0.88 (22)	9.25 (235)	8	0.88 (22)	9.75 (248)	1.50 (38)	4.50 (114)	0.25	0.25
182JP					15.31 (389)	8.63 (219)		31.22 (793)							11.75 (298)	1.00 (25)			
184JP					15.31 (389)	8.63 (219)		31.22 (793)							11.75 (298)	1.00 (25)			
213JP					19.25 (489)	9.38 (238)		35.91 (912)							14.00 (356)	-			
215JP					19.25 (489)	9.38 (238)		35.91 (912)							14.00 (356)	-			
254JP					24.13 (613)	9.38 (238)		40.78 (1036)							17.00 (432)	-			
256JP					24.13 (613)	9.38 (238)		40.78 (1036)							17.00 (432)	-			
284JP					23.63 (600)	9.38 (238)		40.28 (1023)							16.13 (410)	4.63 (117)			
286JP					25.13 (638)	9.38 (238)		41.78 (1061)							16.13 (410)	4.63 (117)			
324JP					26.00 (660)	9.38 (238)		42.66 (1083)							18.75 (476)	4.63 (117)			
326JP					26.00 (660)	9.38 (238)		42.66 (1083)							18.75 (476)	4.63 (117)			
5x5x9.5B STANDARD SEAL																			
213JM	14.50 (368)	29.00 (737)	7.02 (178)	9.57 (243)	19.25 (489)	5.13 (130)	7.70 (196)	32.08 (815)	8.50 (216)	8	0.88 (22)	9.25 (235)	8	0.88 (22)	14.00 (356)	-	5.00 (127)	0.25	0.25
215JM					19.25 (489)	5.13 (130)		32.08 (815)							14.00 (356)	-			
254JM					24.13 (613)	6.13 (156)		37.95 (964)							17.00 (432)	-			
256JM					24.13 (613)	6.13 (156)		37.95 (964)							17.00 (432)	-			
5x5x9.5B STUFFING BOX																			
213JP	14.50 (368)	29.00 (737)	7.02 (178)	9.57 (243)	19.25 (489)	9.00 (229)	7.70 (196)	35.95 (913)	8.50 (216)	8	0.88 (22)	9.25 (235)	8	0.88 (22)	14.00 (356)	-	5.00 (127)	0.25	0.25
215JP					19.25 (489)			35.95 (913)							14.00 (356)	-			
254JP					24.13 (613)			40.83 (1037)							17.00 (432)	-			
256JP					24.13 (613)			40.83 (1037)							17.00 (432)	-			
5x5x13.5 STANDARD SEAL																			
254JM	16.50 (419)	33.00 (838)	8.78 (223)	10.29 (261)	24.13 (613)	4.61 (117)	8.50 (216)	37.24 (946)	8.50 (216)	8	0.88 (22)	9.25 (235)	8	0.88 (22)	17.00 (432)	-	5.75 (146)	0.25	0.25
256JM					24.13 (613)			37.24 (946)							17.00 (432)	-			
284JM					23.63 (600)			36.74 (933)							16.13 (410)	4.63 (117)			
286JM					25.13 (638)			38.24 (971)							16.13 (410)	4.63 (117)			
324JM					26.00 (660)			39.11 (993)							18.75 (476)	4.63 (117)			
326JM					26.00 (660)			39.11 (993)							18.75 (476)	4.63 (117)			
5x5x13.5 STUFFING BOX																			
254JP	16.50 (419)	33.00 (838)	8.78 (223)	10.29 (261)	24.13 (613)	7.50	8.50 (216)	40.13 (1019)	8.50 (216)	8	0.88 (22)	9.25 (235)	8	0.88 (22)	17.00 (432)	-	5.75 (146)	0.25	0.25
256JP					24.13 (613)			40.13 (1019)							17.00 (432)	-			
284JP					23.63 (600)			39.63 (1007)							16.13 (410)	4.63 (117)			
286JP					25.13 (638)			41.13 (1045)							16.13 (410)	4.63 (117)			
324JP					26.00 (660)			42.00 (1067)							18.75 (476)	4.63 (117)			
284JP					26.00 (660)			36.75 (933)							16.13 (410)	4.63 (117)			
286JP					25.13 (638)			38.13 (968)							16.13 (410)	4.63 (117)			
326JP					26.00 (660)			42.00 (1067)							18.75 (476)	4.63 (117)			

*For 1 phase motors add 1" maximum to dimensions E & H.

Dimensions subject to change without notice. Do not use for construction purposes.

Commercial Water

DIMENSIONS in inches (mm)

MOTOR FRAME	A	B	C	D	E (max)	F	G	H (max)	125# ANSI			250# ANSI			R	S (Max)*	V (min)	Suct/Disch Gauge Taps (NPT)	Drain Tap (NPT)	
									J	N	P	J	N	P						
6x6x7B STANDARD SEAL																				
182JM	14.00 (356)	28.00 (711)	6.50 (165)	8.50 (216)	15.31 (389)	6.06 (154)	8.13 (206)	29.50 (749)	9.50 (241)	8	0.88 (22)	10.63 (270)	12	0.88 (22)	11.75 (298)	1.00 (25)	5.25 (133)	0.25	0.25	
184JM					15.31 (389)	6.06 (154)		29.50 (749)							11.75 (298)	1.00 (25)				
213JM					19.25 (489)	6.06 (154)		33.44 (849)							14.00 (356)	-				
215JM					19.25 (489)	6.06 (154)		33.44 (849)							14.00 (356)	-				
254JM					24.13 (613)	7.06 (179)		39.31 (999)							17.00 (432)	-				
256JM					24.13 (613)	7.06 (179)		39.31 (999)							17.00 (432)	-				
284JM					23.63 (600)	7.06 (179)		38.81 (986)							16.13 (410)	4.63 (117)				
286JM					25.13 (638)	7.06 (179)		40.31 (1024)							16.13 (410)	4.63 (117)				
324JM					26.00 (660)	7.06 (179)		41.19 (1046)							18.75 (476)	4.63 (117)				
326JM					26.00 (660)	7.06 (179)		41.19 (1046)							18.75 (476)	4.63 (117)				
6x6x7B STUFFING BOX																				
182JM	14.00 (356)	28.00 (711)	6.50 (165)	8.50 (216)	15.31 (389)	9.25 (235)	8.13 (206)	32.69 (830)	9.50 (241)	8	0.88 (22)	10.63 (270)	12	0.88 (22)	11.75 (298)	1.00 (25)	5.25 (133)	0.25	0.25	
184JM					15.31 (389)	9.25 (235)		32.69 (830)							11.75 (298)	1.00 (25)				
213JM					19.25 (489)	9.94 (252)		37.31 (948)							14.00 (356)	-				
215JM					19.25 (489)	9.94 (252)		37.31 (948)							14.00 (356)	-				
254JM					24.13 (613)	9.94 (252)		42.19 (1072)							17.00 (432)	-				
256JM					24.13 (613)	9.94 (252)		42.19 (1072)							17.00 (432)	-				
284JM					23.63 (600)	9.94 (252)		41.69 (1059)							16.13 (410)	4.63 (117)				
286JM					25.13 (638)	9.94 (252)		43.19 (1097)							16.13 (410)	4.63 (117)				
286JM					25.13 (638)	9.94 (252)		43.19 (1097)							16.13 (410)	4.63 (117)				
324JM					26.00 (660)	9.94 (252)		44.06 (1119)							18.75 (476)	4.63 (117)				
326JM	26.00 (660)	9.94 (252)	44.06 (1119)	18.75 (476)	4.63 (117)															
6x6x9.5B STANDARD SEAL																				
213JM	16.75 (425)	33.50 (851)	7.57 (192)	10.67 (271)	19.25 (489)	5.38 (137)	8.88 (225)	33.50 (851)	9.50 (241)	8	0.88 (22)	10.63 (270)	12	0.88 (22)	14.00 (356)	-	5.00 (127)	0.25	0.25	
215JM					19.25 (489)	5.38 (137)		33.50 (851)							14.00 (356)	-				
254JM					24.13 (613)	6.25 (159)		39.25 (997)							17.00 (432)	-				
256JM					24.13 (613)	6.25 (159)		39.25 (997)							17.00 (432)	-				
284JM					23.63 (600)	6.25 (159)		38.75 (984)							16.13 (410)	4.63 (117)				
6x6x9.5B STUFFING BOX																				
213JP	16.75 (425)	33.50 (851)	7.57 (192)	10.67 (271)	19.25 (489)	9.25 (235)	8.88 (225)	37.38 (949)	9.50 (241)	8	0.88 (22)	10.63 (270)	12	0.88 (22)	14.00 (356)	-	5.00 (127)	0.25	0.25	
215JP					19.25 (489)			37.38 (949)							14.00 (356)	-				
254JP					24.13 (613)			9.25 (235)							42.25 (1073)	17.00 (432)				-
256JP					24.13 (613)			9.25 (235)							42.25 (1073)	17.00 (432)				-
284JP					23.63 (600)			9.25 (235)							41.75 (1060)	16.13 (410)				4.63 (117)

*For 1 phase motors add 1" maximum to dimensions E & H.

Dimensions subject to change without notice. Do not use for construction purposes.

Commercial Water

DIMENSIONS in inches (mm)

MOTOR FRAME	A	B	C	D	E (max)	F	G	H (max)	125# ANSI			250# ANSI			R	S (Max)*	V (min)	Suct/Disch Gauge Taps (NPT)	Drain Tap (NPT)
									J	N	P	J	N	P					
6x6x11B STANDARD SEAL																			
213JM					19.25 (489)	4.19 (106)		32.28 (820)							14.00 (356)	-			
215JM					19.25 (489)	4.19 (106)		32.28 (820)							14.00 (356)	-			
254JM					24.13 (613)	4.98 (127)		37.95 (964)							17.00 (432)	-			
256JM	16.00 (406)	32.00 (813)	8.02 (204)	10.98 (279)	24.13 (613)	4.98 (127)	8.84 (225)	37.95 (964)	9.50 (241)	8	0.88 (22)	10.63 (270)	12	0.88 (22)	17.00 (432)	-	5.94 (151)	0.25	0.25
284JM					23.63 (600)	4.98 (127)		37.45 (951)							16.13 (410)	4.63 (117)			
286JM					25.13 (638)	4.98 (127)		38.95 (989)							16.13 (410)	4.63 (117)			
324JM					26.00 (660)	4.98 (127)		39.82 (1011)							18.75 (476)	4.63 (117)			
6x6x11B STUFFING BOX																			
213JP					19.25 (489)	7.56 (192)		35.65 (906)							14.00 (356)	-			
215JP					19.25 (489)	7.19 (183)		35.28 (896)							14.00 (356)	-			
254JP					24.13 (613)	7.81 (198)		40.78 (1036)							17.00 (432)	-			
256JP	16.00 (406)	32.00 (813)	8.02 (204)	10.98 (279)	24.13 (613)	7.81 (198)	8.84 (225)	40.78 (1036)	9.50 (241)	8	0.88 (22)	10.63 (270)	12	0.88 (22)	17.00 (432)	-	5.94 (151)	0.25	0.25
284JP					23.63 (600)	7.81 (198)		40.28 (1023)							16.13 (410)	4.63 (117)			
286JP					25.13 (638)	7.81 (198)		41.78 (1061)							16.13 (410)	4.63 (117)			
324JP					26.00 (660)	7.81 (198)		42.65 (1083)							18.75 (476)	4.63 (117)			
8x8x9.5B STANDARD SEAL																			
254JM					24.13 (613)			41.75 (1060)							17.00 (432)	-			
256JM					24.13 (613)			41.75 (1060)							17.00 (432)	-			
284JM	18.00 (457)	36.00 (914)	8.55 (217)	12.75 (324)	23.63 (600)	7.38 (187)	10.25 (260)	41.25 (1048)	11.75 (298)	8	0.88 (22)	13.00 (330)	12	1.00 (25)	16.13 (410)	4.63 (117)	4.75 (121)	0.25	0.25
286JM					25.13 (638)			42.75 (1086)							16.13 (410)	4.63 (117)			
324JM					26.00 (660)			43.63 (1108)							18.75 (476)	5.38 (137)			
326JM					26.00 (660)			43.63 (1108)							18.75 (476)	5.38 (137)			
8x8x9.5B STUFFING BOX																			
254JP					24.13 (613)			44.63 (1133)							17.00 (432)	-			
256JP					24.13 (613)			44.63 (1133)							17.00 (432)	-			
284JP	18.00 (457)	36.00 (914)	8.55 (217)	12.75 (324)	23.63 (600)	10.25 (260)	10.25 (260)	44.13 (1121)	11.75 (298)	8	0.88 (22)	13.00 (330)	12	1.00 (25)	16.13 (410)	4.63 (117)	4.75 (121)	0.25	0.25
286JP					25.13 (638)			45.63 (1159)							16.13 (410)	4.63 (117)			
324JP					26.00 (660)			46.50 (1181)							18.75 (476)	5.38 (137)			
326JP					26.00 (660)			46.50 (1181)							18.75 (476)	5.38 (137)			
8x8x11B STANDARD SEAL																			
254JM					24.13 (613)			39.67 (1008)							17.00 (432)	-			
256JM					24.13 (613)			39.67 (1008)							17.00 (432)	-			
284JM	18.00 (457)	36.00 (914)	9.21 (234)	12.02 (305)	23.63 (600)	5.29 (134)	10.25 (260)	39.17 (995)	11.75 (298)	8	0.88 (22)	13.00 (330)	12	1.00 (25)	16.13 (410)	4.63 (117)	5.75 (146)	0.25	0.25
286JM					25.13 (638)			40.67 (1033)							16.13 (410)	4.63 (117)			
324JM					26.00 (660)			41.54 (1055)							18.75 (476)	5.38 (137)			
326JM					26.00 (660)			41.54 (1055)							18.75 (476)	5.38 (137)			

*For 1 phase motors add 1" maximum to dimensions E & H.

Dimensions subject to change without notice. Do not use for construction purposes.

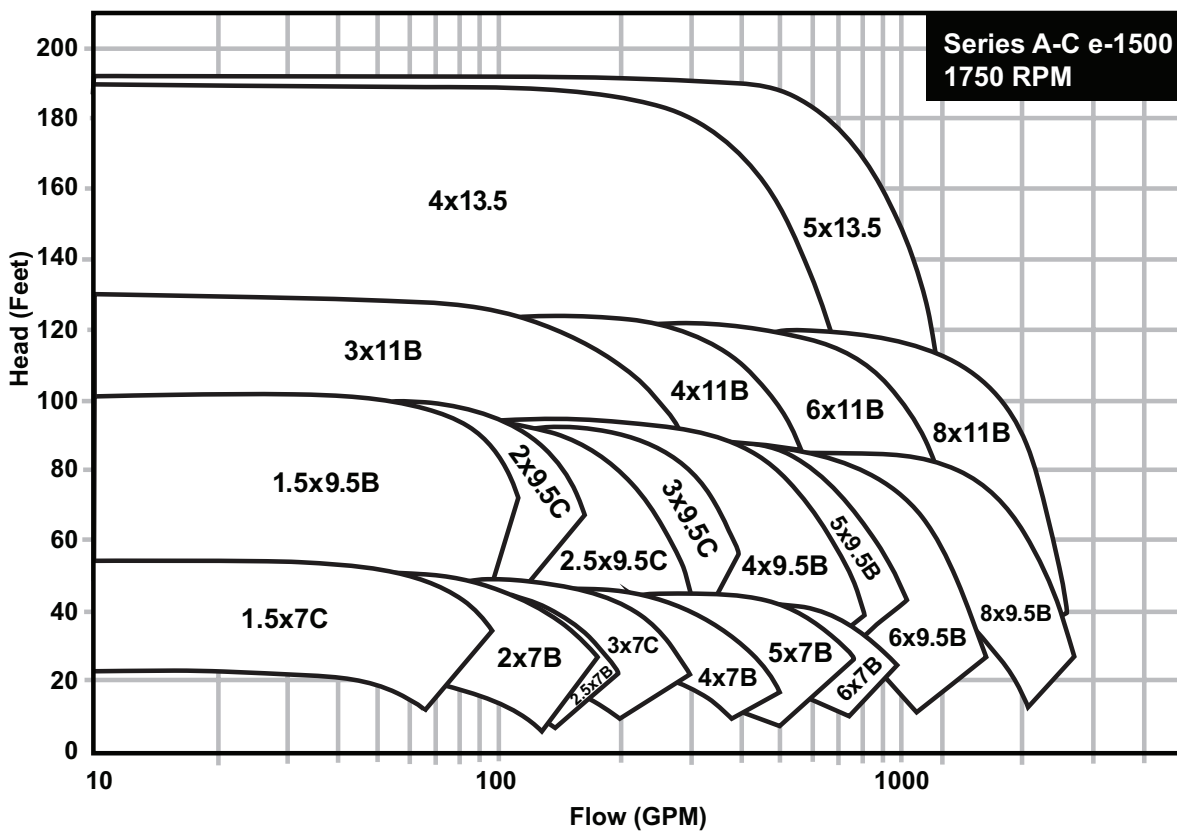
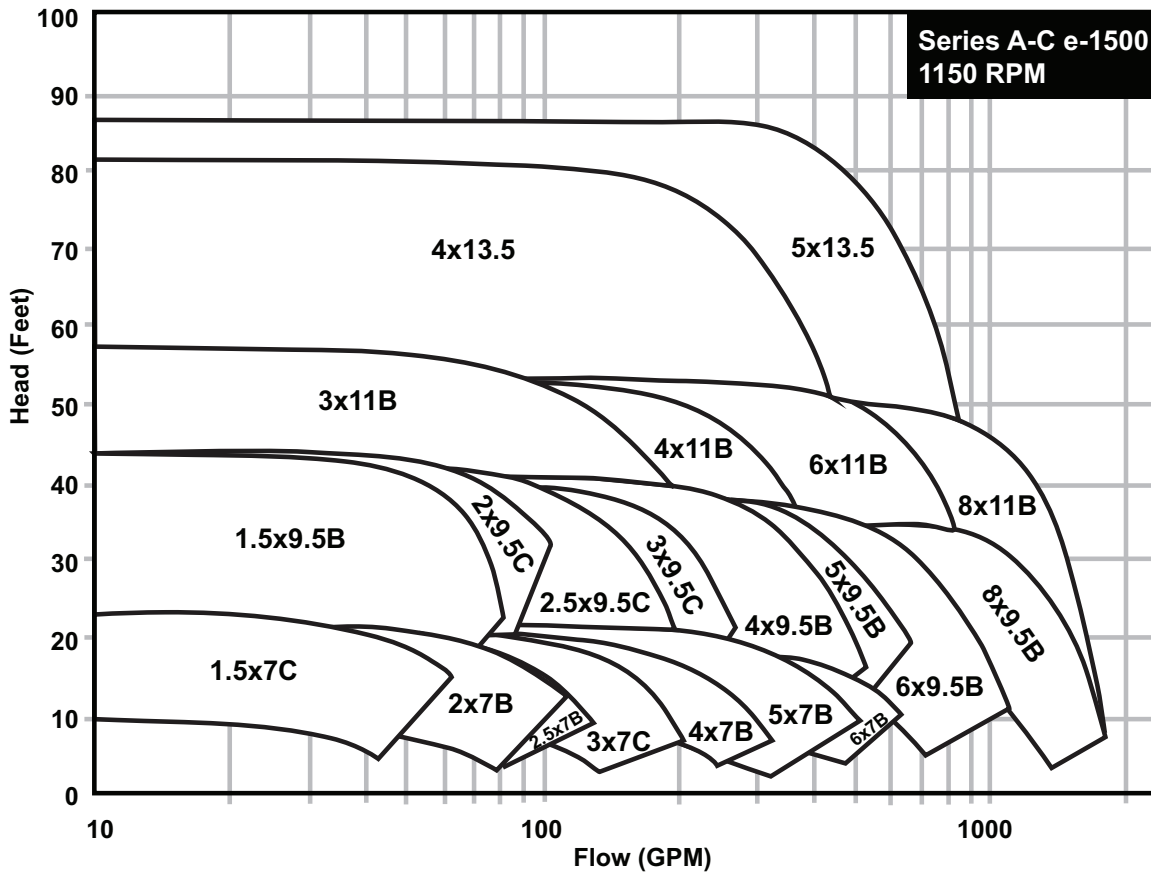
DIMENSIONS in inches (mm)

MOTOR FRAME	A	B	C	D	E (max)	F	G	H (max)	125# ANSI			250# ANSI			R	S (Max)*	V (min)	Suct/Disch Gauge Taps (NPT)	Drain Tap (NPT)
									J	N	P	J	N	P					
8x8x11B STUFFING BOX																			
254JP					24.13 (613)			42.50 (1080)							17.00 (432)	-			
256JP					24.13 (613)			42.50 (1080)							17.00 (432)	-			
284JP	18.00 (457)	36.00 (914)	9.21 (234)	12.02 (305)	23.63 (600)	8.13 (206)	10.25 (260)	42.00 (1067)	11.75 (298)	8	0.88 (22)	13.00 (330)	12	1.00 (25)	16.13 (410)	4.63 (117)	5.75 (146)	0.25	0.25
286P					25.13 (638)			43.50 (1105)							16.13 (410)	4.63 (117)			
324JP					26.00 (660)			44.38 (1127)							18.75 (476)	4.63 (117)			
326JP					26.00 (660)			44.38 (1127)							18.75 (476)	4.63 (117)			
284JP	9.50 (241)	19.00 (483)	5.88 (149)	6.25 (159)	23.63 (600)	8.56 (217)	4.50 (114)	36.75 (933)	3.88 (98)	4	0.63 (16)	4.50 (114)	4	0.88 (22)	16.13 (410)	4.63 (117)	4.00 (102)	0.25	0.25
286JP					25.13 (638)			38.13 (968)							16.13 (410)	4.63 (117)			

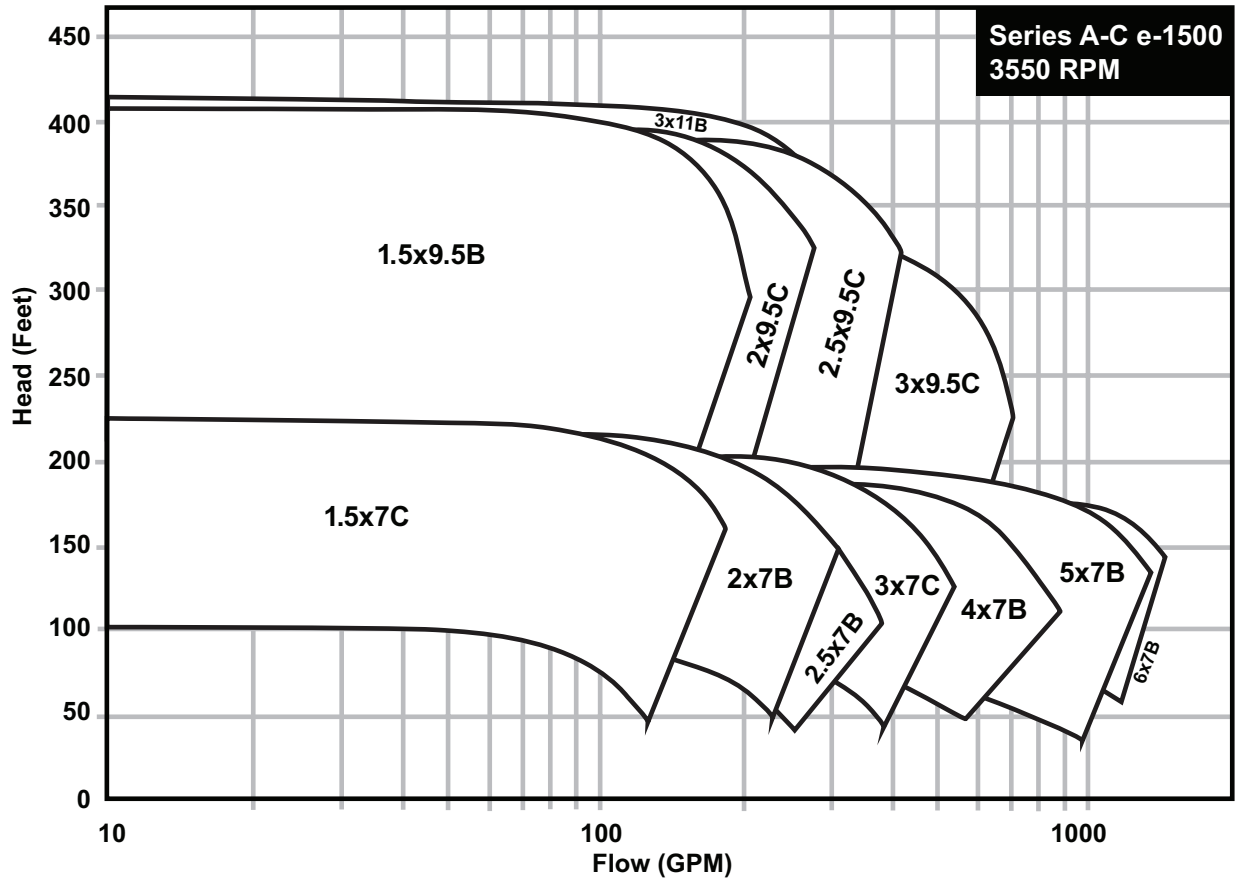
*For 1 phase motors add 1" maximum to dimensions E & H.

Dimensions subject to change without notice. Do not use for construction purposes.

Series A-C e-1500 - Selection Charts



Series A-C e-1500 - Selection Charts (continued)



Xylem Inc.
 2881 East Bayard Street Ext., Suite A, Seneca Falls, NY 13148
 Phone: (800) 453-6777 • Fax: (888) 322-5877
www.gouldswatertechnology.com

Goulds is a registered trademark of Goulds Pumps, Inc. and is used under license.
 © 2016 Xylem Inc. BACe1500 August 2016