

INSTALLER: PLEASE LEAVE THIS MANUAL FOR THE OWNER'S USE.

Series A-C 2000 Frame Mounted Pumps

TABLE OF CONTENTS

DESCRIPTION.....	3
PUMP APPLICATION.....	3
SAFETY INSTRUCTIONS.....	3
ELECTRICAL SAFETY	3
THERMAL SAFETY	3
MECHANICAL SAFETY	3
SAFETY INSTRUCTION DECALS	4
PUMP LOCATION	5
SAFE HANDLING REQUIREMENTS.....	6
INSTALLATION.....	7
LEVELING.....	7
GROUTING.....	8
SEE ANSI/OSHA COUPLER GUARD	
REMOVAL/INSTALLATION	8
ALIGNMENT PROCEDURE	8
ANSI/OSHA COUPLER GUARD	
REMOVAL/INSTALLATION	8
ALIGNMENT.....	9
PIPING.....	11
PRIMING AND STARTING.....	12
BEARING LUBRICATION	13
GENERAL INSTRUCTIONS	13
SERVICE INSTRUCTIONS.....	13
IMPELLER REMOVAL.....	14
DISMANTLING THE STUFFING BOX.....	14
FRAME DISASSEMBLY	14
CASING WEARING RING REMOVAL	
(OPTIONAL)	14
ASSEMBLY PROCEDURES.....	15
FRAME ASSEMBLY.....	15
STUFFING BOX ASSEMBLY	15
IMPELLER INSTALLATION.....	16
FINAL ASSEMBLY.....	16
REPAIR PARTS LIST.....	18
WARRANTY.....	20
ORDERING PARTS.....	22
DEALER SERVICING.....	22

NOTE

The information contained in this book is intended to assist operating personnel by providing information on the characteristics of the purchased equipment.

It does not relieve the user of their responsibility of using accepted engineering practices in the installation, operation, and maintenance of this equipment.

Any further questions, contact Goulds Water Technology, (847) 966-3700.

DESCRIPTION

The Series A-C 2000 Frame Mounted Centrifugal Pump is an end suction centerline discharge pump. The Series A-C 2000 Pump's rear pull out construction makes servicing simpler and faster. The hydraulically balanced impellers extend bearing life and assure smoother, quieter operation.

PUMP APPLICATION

The Series A-C 2000 Pump's available constructions and sizes make it ideal for applications in general industry, water supply, water transfer, condenser, and chilled and hot water circulation.


SAFETY INSTRUCTIONS



SAFETY INSTRUCTIONS

This safety alert symbol will be used in this manual and on the pump safety instruction decals to draw attention to safety related instructions. When used the safety alert symbol means ATTENTION! BECOME ALERT! YOUR SAFETY IS INVOLVED! FAILURE TO FOLLOW THE INSTRUCTIONS MAY RESULT IN A SAFETY HAZARD.

Your Series A-C 2000 pump should have the following safety instruction decals located approximately as shown. If the decals are missing or are illegible contact your local Goulds Water Technology representative for a replacement. (Fig. 1)

 **WARNING:** This product can expose you to chemicals including Lead, which is known to the State of California to cause cancer or birth defects or other reproductive harm. For more information go to: www.P65Warnings.ca.gov.

ELECTRICAL SAFETY:



WARNING: Electrical Shock Hazard

Electrical connections to be made by a qualified electrician in accordance with all applicable codes, ordinances, and good practices. Failure to follow these instructions could result in serious personal injury or death, and property damage.



WARNING: Electrical Overload Hazard

Three phase motors must have properly sized heaters to provide overload and under voltage protection. Single-phase motors have built-in overload protectors. Failure to follow these instructions could result in serious personal injury or death, and property damage.

THERMAL SAFETY:



WARNING: Extreme Temperature Hazard

If pump, motor, or piping is operating at extremely high or low temperature, guarding or insulation is required. Failure to follow these instructions could result in serious personal injury or death, and property damage.

MECHANICAL SAFETY:



WARNING: Unexpected Startup Hazard

Disconnect and lockout power before servicing. Failure to follow these instructions could result in serious personal injury or death, and property damage.



WARNING: Excessive System Pressure Hazard

The maximum working pressure of the pump is listed on the nameplate, do not exceed this pressure. Failure to follow these instructions could result in serious personal injury or death, and property damage.

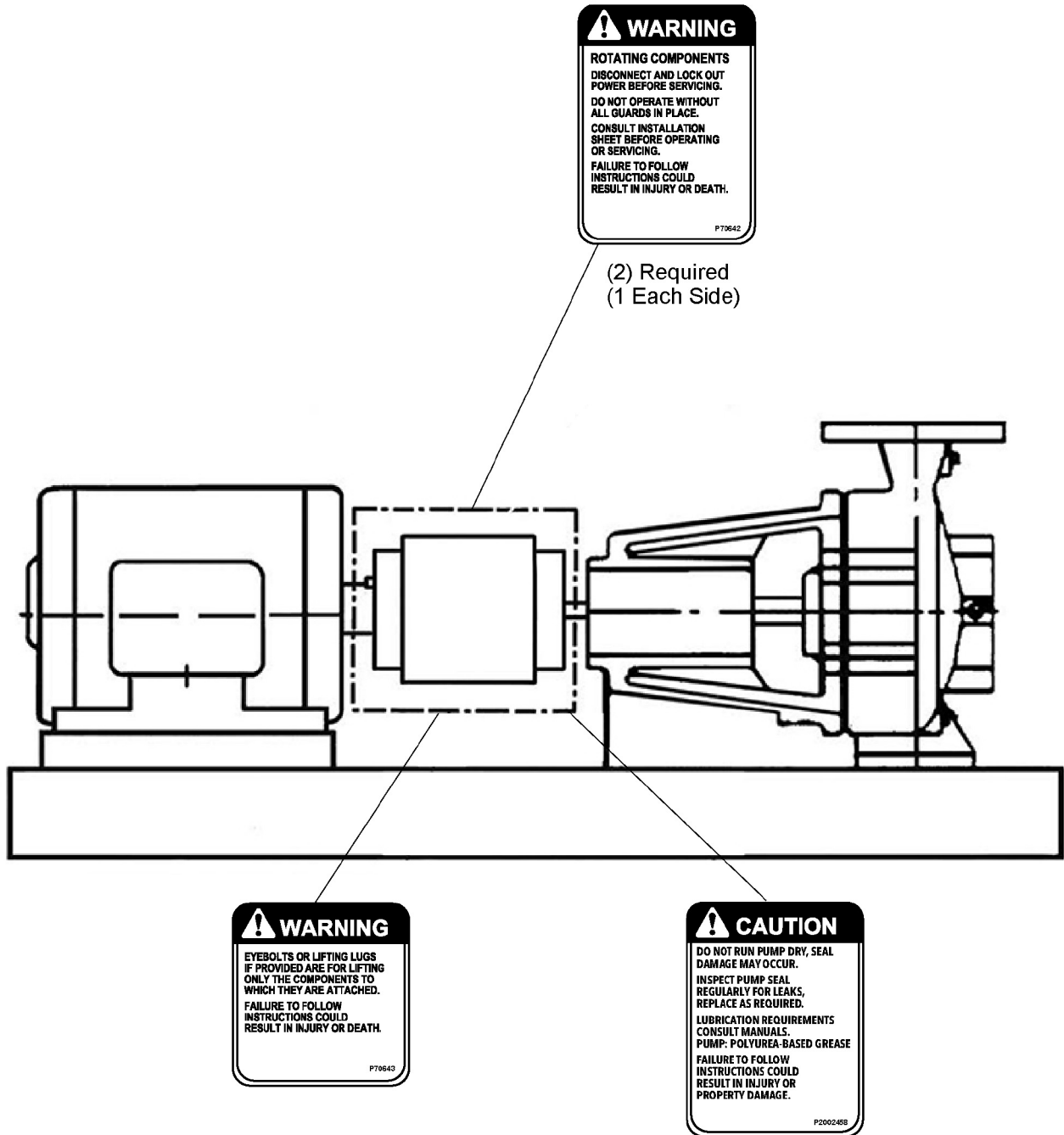


WARNING: Excessive Pressure Hazard Volumetric Expansion

The heating of water and other fluids causes volumetric expansion. The associated forces may cause failure of system components and release of high temperature fluids. Installing properly sized and located compression tanks and pressure relief valves will prevent this. Failure to follow these instructions could result in serious personal injury or death, and property damage.

SAFETY INSTRUCTION DECALS

Make sure your pump has these safety instruction decals and that they are located as this figure shows. If the decals are missing or illegible, contact your local sales and service representative for a replacement.



PUMP LOCATION

Locate the pump so there is sufficient room for inspection, maintenance, and service. If the use of a hoist or tackle is needed, allow ample head room.



WARNING

Eyebolts or lifting lugs if provided are for lifting only the components to which they are attached. Failure to follow instructions could result in injury or death.

The best pump location for sound and vibration absorption is on a concrete floor with subsoil underneath. If the pump location is overhead, special precautions should be undertaken to reduce possible sound transmission, consult a sound specialist.

If the pump is not on a closed system, it should be placed as near as possible to the source of the liquid supply, and located to permit installation with the fewest number of bends or elbows in the suction pipe.

The installation must be evaluated to determine that the Net Positive Suction Head Available (NPSHA) meets or exceeds the Net Positive Suction Head Required (NPSHR), as stated by the pump performance curve.

IMPORTANT: Do not install and operate Series 2000 Pumps in closed systems unless the system is constructed with properly sized safety devices and control devices. Such devices include the use of properly sized and located pressure relief valves, compression tanks, pressure controls, temperature controls, and flow controls as appropriate. If the system does not include these devices, consult the responsible engineer or architect before making pumps operational.

SAFE HANDLING REQUIREMENTS

WARNING

- Personal protective equipment should be worn when handling this equipment.
- Transportation & installation of this equipment should only be performed by qualified personnel.
- A professional rigging company should be consulted before lifting the pump assembly.
- Only use properly sized, certified lifting equipment & lifting devices, including slings, suitably rated for the weights to be lifted.
- Slings, when used, must be of identical materials to avoid differences in stretch rates.
- Do not use lifting devices that are frayed, kinked, unmarked, or worn.
- Lifting eyebolts fitted on single components of the assembly (pump or motor) must not be used to lift the complete assembly.

Failure to observe these instructions could result in equipment or property damage, serious injury, or death.

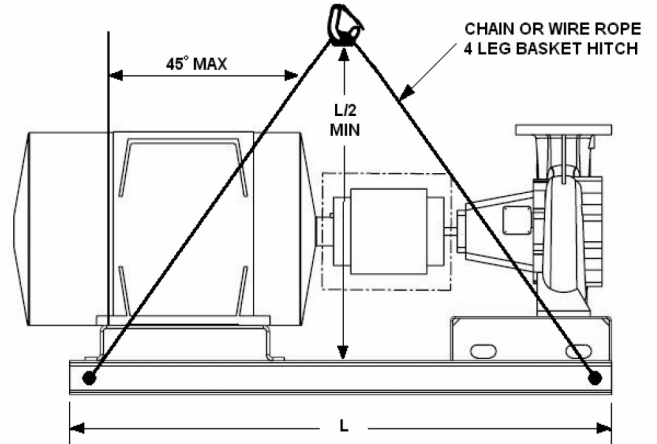
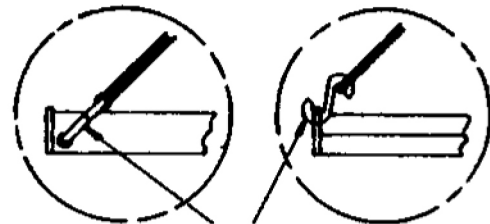


FIG. 2 – Bases with Lifting Holes



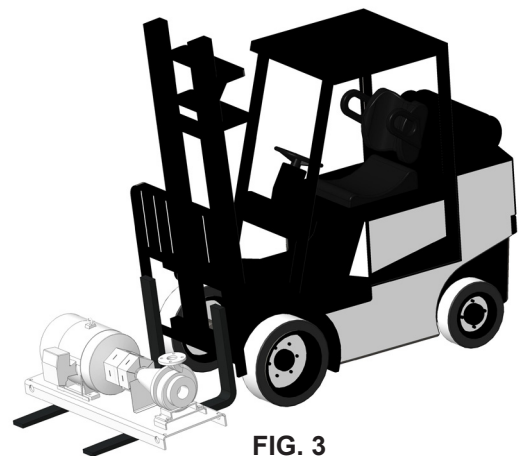
“S” Hooks

FIG. 2A

FIG. 2B

The pump assembly can arrive in a variety of ways. It can be shipped as pump end only (bare pump), pump less motor, or pump, motor, & baseplate. Use the following recommended ways of handling Series 2000 pump assemblies. The pump assembly should remain horizontal during transport and lifting.

Pump type	Lifting method
A bare pump without lifting handles	Use a suitable sling attached properly to solid points like the casing, the flanges, or the frames.
A base-mounted pump	Lifting the pump less motor or the pump, motor, & baseplate should be done by using lifting holes provided on the baseplate (Fig. 2), or by utilizing a forklift under the entire unit (Fig. 3). Always take extra precaution to ensure the weight is balanced & equally distributed across both forks. When the baseplate of the assembly is structural channel construction, the pump and base plate should be set in place first. The motor should then be separately lifted & mounted to the unit.



INSTALLATION

This pump is built to provide years of service if installed properly and attached to a suitable foundation. A base of concrete weighing 2-1/2 times the weight of the pump is recommended. (Check the shipping ticket for pump weight.)

If possible, tie the concrete pad in with the finished floor. Use foundation bolts and larger pipe-sleeves to give room for final bolt location. (Fig. 4)

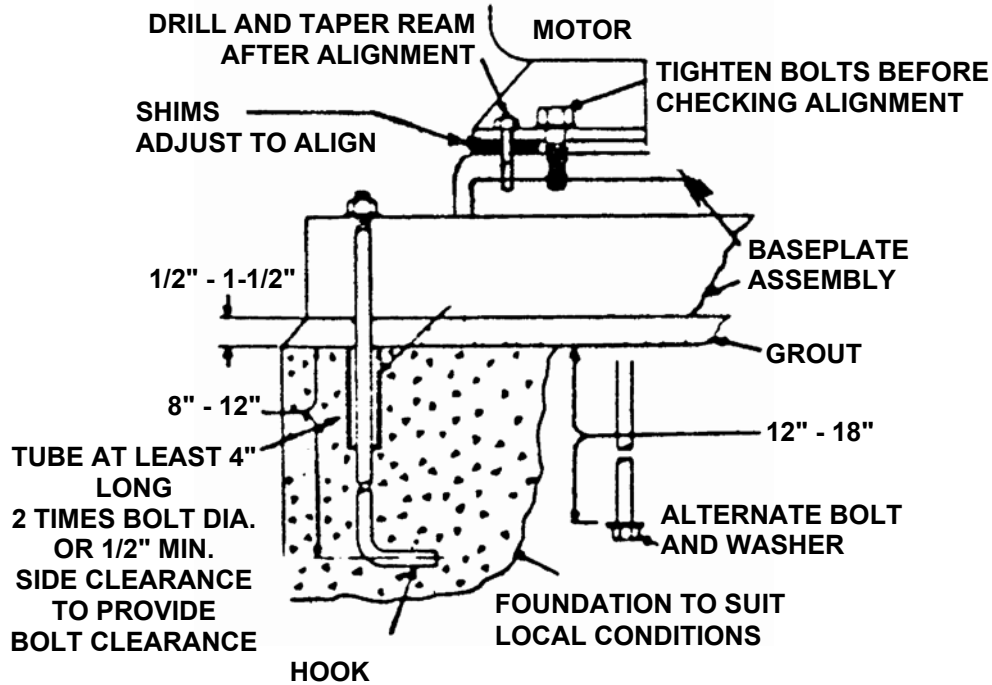


FIG. 4

LEVELING

Place the pump on its concrete foundation supporting it with steel wedges or shims totaling 1" in thickness. These wedges or shims should be put on both sides of each anchor-bolt to provide a means of leveling the base.

IT IS VERY IMPORTANT THAT THE PUMP-BASE BE SET LEVEL TO AVOID ANY MECHANICAL DIFFICULTIES WITH THE MOTOR OR PUMP. THIS PUMP WAS PROPERLY ALIGNED (IF FURNISHED WITH A MOTOR) AT THE FACTORY. HOWEVER, SINCE ALL PUMP BASES ARE FLEXIBLE THEY MAY SPRING AND TWIST DURING SHIPMENT. DON'T PIPE THE PUMP UNTIL IT IS REALIGNED. AFTER PIPING IS COMPLETED AND AFTER THE PUMP IS GROUTED-IN AND BOLTED-DOWN, ALIGN IT AGAIN. IT MAY BE NECESSARY TO RE-ADJUST THE ALIGNMENT FROM TIME TO TIME WHILE THE UNIT AND FOUNDATION ARE NEW.

GROUTING

After the pump has been leveled, securely bolted to the floor, and properly aligned, a good grade of non-shrinking grout should be poured inside the pump base. To hold wedges or shims in place, allow the grout to flow around them.

SEE ANSI/OSHA COUPLER GUARD REMOVAL/INSTALLATION

(SEE BELOW)

ALIGNMENT PROCEDURE

NOTE: A flexible coupling will only compensate for small amounts of misalignment. Permissible misalignment will vary with the make of coupling. Consult coupling manufacturer's data when in doubt.

Allowances are to be made for thermal expansion during cold alignment, so that the coupling will be aligned at operating temperature. In all cases, a coupling must be in alignment for continuous operation. Even though the coupling may be lubricated, misalignment causes excessive wear, vibration, and bearing loads that result in premature bearing failure and ultimate seizing of the pump. Misalignment can be angular, parallel, or a combination of these, and in the horizontal and vertical planes. Final alignment should be made by moving and shimming the motor on the base plate, until the coupling hubs are within the recommended tolerances measured in total run-out. All measurements should be taken with the pump and motor foot bolts tightened. The shaft of sleeve bearing motors should be in the center of its mechanical float.

NOTE: Proper alignment is essential for correct pump operation. This should be performed after base plate has been properly set and grout has dried thoroughly according to instructions. Final alignment should be made by shimming driver only. Alignment should be made at operating temperatures.



WARNING: Unexpected Start-up Hazard

Disconnect and lock out power before servicing. Failure to follow these instructions could result in serious personal injury or death and property damage.

ANSI/OSHA COUPLER GUARD REMOVAL/INSTALLATION



WARNING: Unexpected Start-up Hazard

Disconnect and lock out power before servicing. Failure to follow these instructions could result in serious personal injury or death and property damage.

NOTE: Do not spread the inner and outer guards more than necessary for guard removal or installation. Over spreading the guards may alter their fit and appearance.

Removal

- Remove the two capscrews that hold the outer (motor side) coupler guard to the support bracket(s).
- Spread the outer guard and pull it off the inner guard.
- Remove the capscrew that holds the inner guard to the support bracket.
- Spread the inner guard and pull it over the coupler.

Installation

- Check coupler alignment before proceeding. Correct if necessary.
- Spread the inner guard and place it over the coupler.
- With the inner guard straddling the support bracket, install a capscrew through the hole (or slot) in the support bracket and guard located closest to the pump. Do not tighten the capscrew.
- Spread the outer guard and place it over the inner guard.
- Install the outer guard capscrews by following the step stated below which pertains to your particular pump:
 - For pumps with a motor saddle support bracket:* Ensure the outer guard is straddling the support arm, and install but do not tighten the two remaining capscrews.
 - For pumps without a motor saddle support bracket:* Insert the spacer washer between the holes located closest to the motor in the outer guard, and install, but do not tighten, the two remaining capscrews.

- f. Position the outer guard so it is centered around the shaft, and so there is less than 1/4" of the motor shaft exposed. On guards that utilize a slotted support bracket, the inner guard will have to be

positioned so there is only 1/4" of the pump shaft exposed.

- g. Holding the guard in this position, tighten the three capscrews.

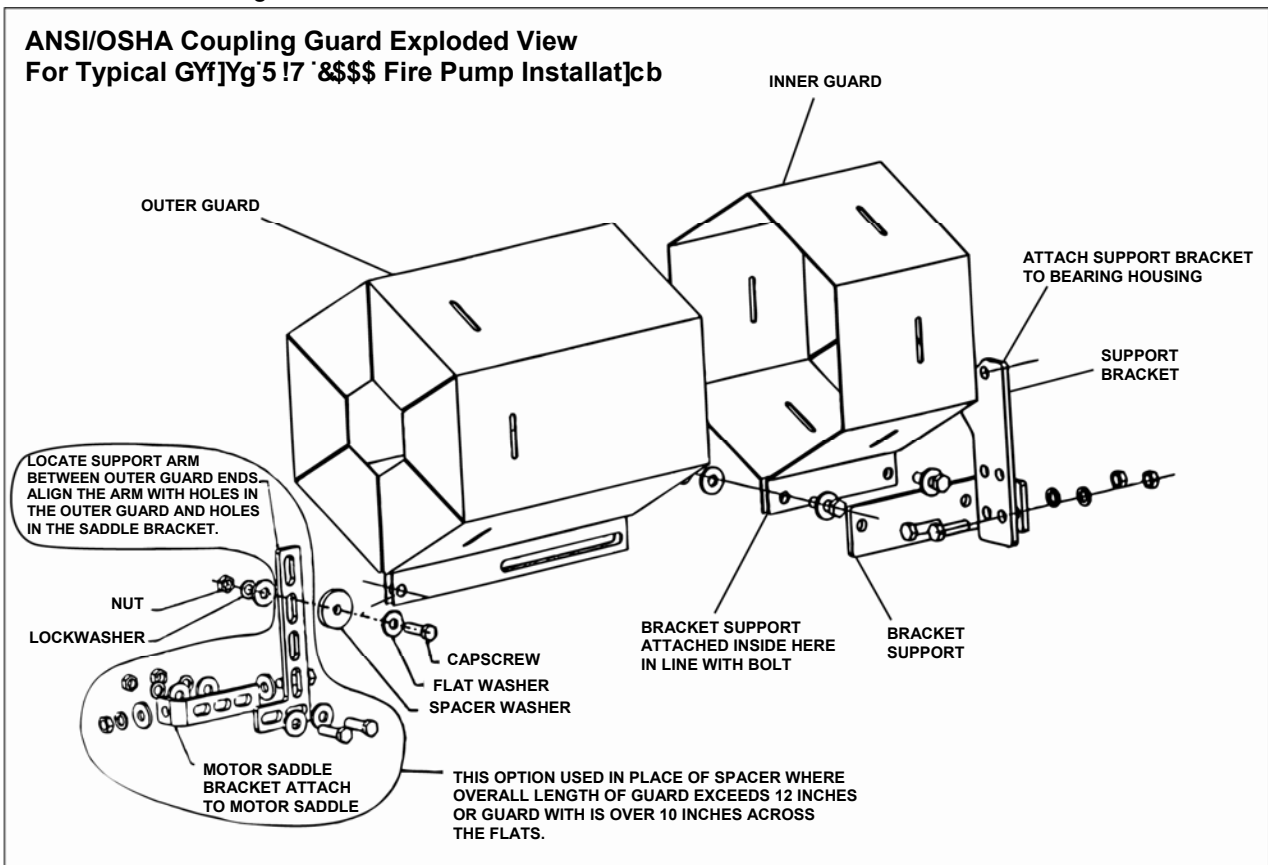


FIG. 5

Method 1 – Straight Edge Alignment for Standard Sleeve Type Coupler with Black Rubber Insert

(See Fig. 5A)

Proceed with this method only if satisfied that face and outside diameters of the coupling halves are square and concentric with the coupling borers. If this condition does not exist or elastomeric couplings do not make this method convenient, use Method 2.

1. Check angular misalignment using a micrometer or caliper. Measure from the outside of one flange to the outside of the opposite flange at four points 90° apart. DO NOT ROTATE COUPLER. Misalignment up to 1/64" per inch of coupler radius is permissible.
2. At four points 90° apart (DO NOT ROTATE COUPLER), measure the parallel coupler misalignment by laying a

straight edge across one coupler half and measuring the gap between the straight edge and opposite coupler half. Up to a 1/64" gap is permissible.

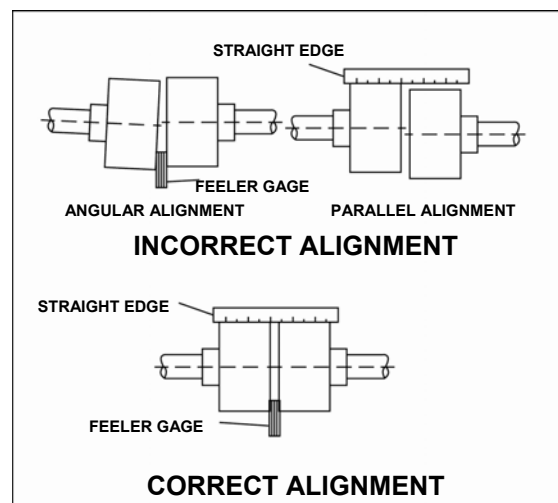


FIG. 5A – CHECKING ALIGNMENT (METHOD 1)

Method 2- For Orange Hytrel Insert, 3500 Operation, or All Other Coupler Types Except as Noted Below

(See Fig. 5B)

- a. Make sure each hub is secured to its respective shaft and that all connecting and/or spacing elements are removed at this time.
- b. The gap between the coupling hubs is set by the manufacturer before the units are shipped. However, this dimension should be checked. (Refer to the coupling manufacturer's specifications supplied with the unit.)
- c. Scribe index lines on coupling halves as shown in Fig. 5B.
- d. Mount dial indicator on one hub as shown for parallel alignment. Set dial to zero.
- e. Turn both coupling halves so that index lines remain matched. Observe dial reading to see whether driver needs adjustment (See paragraph i below).
- f. Mount dial indicator on one hub as shown for angular alignment. Set dial to zero.
- g. Turn both coupling halves so that index lines remain matched. Observe dial reading to see whether driver needs adjustment (See paragraph i below).
- h. Assemble coupling. Tighten all bolts and set screw(s). It may be necessary to repeat steps c through f for a final check.
- i. For single element couplings, a satisfactory parallel misalignment is 0.004"T.I.R., while a satisfactory angular misalignment is 0.004"T.I.R. per inch of radius R (See Fig. 5B).

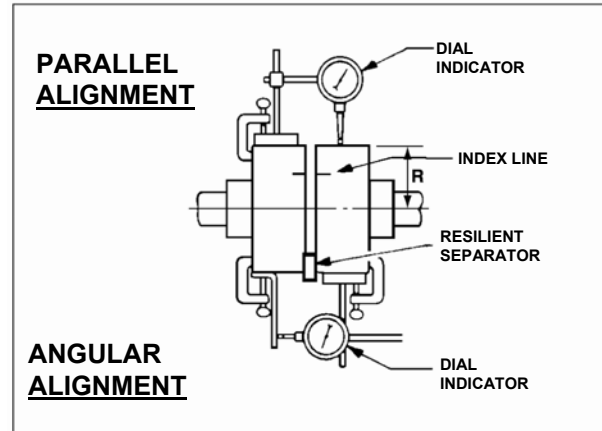


FIG. 5B – CHECKING ALIGNMENT (METHOD 2)

Final Alignment

Final alignment cannot be accomplished until the pump has been operated initially for a sufficient length of time to attain operating temperature. When normal operating temperature has been attained, secure the pump to re-check alignment and compensate for temperature accordingly. See Alignment Section.



WARNING: Rotating Components Hazard

Do not operate pump without all guards in place. Failure to follow these instructions could result in serious personal injury or death and property damage.



WARNING: Coupling Failure

Do not operate pump with coupling out of alignment. Ensure final coupling alignment is within the values stated above or according to the coupling manufacturer's instructions. Coupling, pump, or driver failure may occur.

Failure to follow these instructions could result in serious personal injury or death and property damage.

Due to the different types of couplers available for your Series A-C 2000 pump, refer to coupler manufacturer's instructions for alignment values and additional instructions.

ROTATION

Pump rotation is clockwise when viewed from back of the motor. An arrow is also located on the pump to show the direction of rotation.

PIPING

Always install a section of straight pipe between the suction side of the pump and first elbow. This reduces turbulence of the suction by straightening out the flow of liquid before it enters the pump. The length should be equal to ten times the diameter of the pipe.

Be sure to eliminate any pipe-strain on the pump. Support the suction and discharge pipes independently by use of pipe hangers near the pump. Line up the vertical and horizontal piping so that the bolt-holes in the pump flanges match the bolt-holes in the pipe flanges. **DO NOT ATTEMPT TO SPRING THE SUCTION OR DISCHARGE LINES INTO POSITION.** Coupling and bearing wear will result if suction or discharge lines are forced into position. The code for Pressure Piping (A.S.A.B. 31.1) lists many types of supports available for various applications.

As a rule, ordinary wire or band hangers are not adequate to maintain alignment. It is very important to provide a strong, rigid support for the suction and discharge lines.

Where considerable temperature changes are anticipated, fittings for absorbing

expansion should be installed in the system in such a way as to avoid strain on the pump.

On an open-system with a suction-lift, use a foot-valve of equal or greater area than the pump suction piping. Prevent clogging by using a strainer at the suction inlet next to the foot-valve. The strainer should have an area three times that of the suction pipe with a mesh hole diameter of no less than 1/4".

When using an isolation base, flexible piping should be used on both the suction and discharge sides of the pump.

A check valve installed in the discharge line will serve to protect the pump from water hammer. Also install an isolation valve for servicing and for throttling.

NOTES:

1. The pipeline should have isolation valves around the pump and have a drain valve in the suction pipe.
2. When installing connections to a threaded pump housing the use of PTFE tape sealer or a high quality thread sealant is recommended.

PRIMING AND STARTING



CAUTION: Seal Damage Hazard

Do not run pump dry, seal damage may occur. Failure to follow these instructions could result in property damage and/or moderate personal injury.

NOTICE:

Make sure the grease container, the greasing device, and the fittings are clean. Failure to do so can result in impurities entering the bearing housing when you regrease the bearings.

Before starting the pump, the pump body must be full of liquid. Manual priming may be required if the system does not automatically fill the pump body with liquid.

The pump should be started with the discharge valve closed and the suction valve fully open. After the pump is up to operating speed the discharge valve should be opened slowly.

IMPORTANT: The pump should never be operated with suction valve closed or throttled. This could result in cavitations.

1. With fully enclosed coupling guards, regrease pump while pump is running.
 - a. With old style open ended guards, stop pump, re-grease, and hand turn shaft before re-starting.
2. Wipe dirt from the grease fittings before greasing.
3. Fill both of the grease cavities through the fittings with the recommended grease. Stop when grease leaks out at shaft.
4. If needed, stop pump and wipe off excess grease.
5. Restart pump.

Bearing Maintenance

Bearing Lubrication Schedule

Type of bearing	First lubrication, assembled pumps and replacement bearing frames	First lubrication, replacement bearings	Lubrication interval, pump, polyurea-based grease, operating hours
Grease-lubricated bearings	Not applicable, lubricated before shipment	Hand pack bearings before pressing on the shaft. After bearing frame assembly, follow relube instructions to lube bearings.	<ul style="list-style-type: none"> • 3600 hours, 2 pole • 7200 hours, 4 pole • 50% for severe conditions: dirty, wet and/or above 100°F (38°C) ambient • 50% for bearing frame temperature above 180°F (82°C) • 75% for lithium-based grease

The bearing temperature usually rises after you regrease due to excess supply of grease. Temperatures return to normal in about two to four operating hours as the pump runs and purges the excess grease from the bearings. Maximum normal bearing housing temperature for polyurea-based grease is 225°F (107°C) and for lithium-based grease 180°F (82°C).

Lubricating grease requirements

NOTICE:

- Never mix grease of different consistencies (NLGI 1 or 3 with NLGI 2) or with different thickeners. For example, never mix lithium-based grease with a polyurea-based grease. This can result in decreased performance.
- Remove the bearings and old grease if you need to change the grease type or consistency. Failure to do so can result in equipment damage or decreased performance.

Regrease the grease-lubricated bearings

It is important to lubricate pumps and motors that require regreasing with the proper grease. See the motor service instructions and nameplate for motor regreasing information. Pumps are to be regreased using the grease types listed below or approved equal. Always keep pump and motor properly lubricated.

Specifications – Grease Types

Polyurea-based greases	Lithium-based greases, NLGI 2
Pumps built on or after Dec 1, 2014 use Polyurea-based greases. See date code label and lubrication label on pump or bearing frame indicating polyurea-base grease	Pumps built before Dec 1, 2014 were built with Lithium-based greases, NLGI 2, and do not have lubrication label on pump or bearing frame indicating pump grease type
ExxonMobil Polyrex™ EM	Shell Gadus® S2 V100 2 (was Alvania® RL 2)
Chevron SRI NLGI 2	Chevron Multifak® EP 2
Shell Gadus® S5 T100 2	ExxonMobil Unirex™ N2

GENERAL INSTRUCTIONS

1. Keep this pump and motor properly lubricated.
2. When there is a danger of freezing, drain the pump.
3. Inspect pump regularly for leaky seals or gaskets and loose or damaged components. Replace or repair as required.

SERVICE INSTRUCTIONS



WARNING

Disconnect and lock out power before servicing. Failure to follow these instructions could result in injury or death.

1. Close valves on suction and discharge sides of pump. (If no valves have been installed, it will be necessary to drain the system.)



CAUTION

Check surfaces for extreme temperatures, allow pump temperature to reach acceptable level before proceeding. Open drain valve, do not proceed until liquid stops coming out of drain valve, if liquid does not stop flowing from drain valve, isolation valves are not sealing and should be repaired before proceeding. After liquid stops flowing from drain valve, leave drain valve open and continue. Remove the drain plug located on the bottom of the pump casing. Do not reinstall plug or close drain valve until reassembly is completed. Failure to follow these instructions could result in injury or death.

2. Remove coupler guard and loosen set screws in both coupler halves and slide each half back as far as possible on its shaft. Remove coupler sleeve. Where a full diameter impeller is used, it may be

necessary to remove the pump side coupler half and to slide the motor back on its base in order to gain sufficient clearance to remove the pump assembly from the casing.

3. Remove support foot capscrews. Loosen casing capscrews (1-904-0), do not remove them. Loosen only capscrews holding stuff box cover to casing. Start to remove the pump assembly from the casing (2-001-0).



CAUTION

Make certain the internal pressure is relieved before continuing. Failure to follow these instructions could result in injury or property damage.

Remove seal flushing tube, if used.

Remove the casing capscrews and remove the pump assembly from the casing.

4. Pull the entire rotating assembly from the casing leaving the casing connected to the piping unless it is to be repaired, replaced, or if applicable, to have new wear rings installed.

5. Remove the O-ring (2-914-0) from the stuffing box cover and inspect for damage. Replace if necessary.

IMPELLER REMOVAL

1. Lock the coupling end of the shaft in a padded vise.
2. Remove the impeller nut (4-023-0). To do this, turn the impeller nut in the same direction in which the impeller rotates (counterclockwise viewing from the suction inlet).
3. Pull the impeller (4-002-0) from the shaft and remove the impeller key (4-911-0).

DISMANTLING THE STUFFING BOX

A. Pumps with Mechanical Seals

1. Remove spacer sleeve (1-154-0).
2. Remove the two nuts holding the gland (6-014-0) to the stuffing box (2-036-0).
3. Pull the stuffing box cover off the shaft assembly.

NOTE: On the larger Series A-C 2000 pumps, it will be necessary to remove the capscrews holding the stuffing box cover to the frame. The mechanical seal (6-400-0) should now be exposed on the shaft sleeve. (In some cases, the shaft sleeve may come off the shaft with the stuffing box cover. If this happens, gently press or pull the shaft sleeve and mechanical seal from the stuffing box toward frame side of the stuffing box cover.) This will expose the mechanical seal as above.

4. Remove the seal from the shaft sleeve, examine for damage, and if necessary replace.
5. Remove the gland (6-014-0), shaft sleeve (1-009-0), and the deflector (1-136-0) from the pump shaft. A puller may be used to remove the shaft sleeve if it does not slide off the pump shaft easily.

B. Pumps with Packed Stuffing Box

1. Loosen packing gland (6-014-0) by loosening the two gland retaining nuts.
2. Pull the stuffing box cover, gland, and packing from the shaft.
3. Remove the two gland retaining nuts and remove the gland (6-014-0). Remove the

packing rings (6-924-0) and, where applicable, the seal cage (6-013-0) from the stuffing box. A standard packing hook is recommended for removing the pack and seal cage.

4. Remove the packing base ring.

FRAME DISASSEMBLY

1. Remove bearing caps (5-018-3 and 5-018-4).
2. Remove snap ring (5-068-4) from the outboard bearing housing.
3. Press the shaft (5-007-0), outboard bearing (5-026-4), and inboard bearing (5-026-3) toward the motor side of the frame until the outboard bearing clears the frame's outboard bearing housing.
4. Using a suitable pair of snap ring pliers, remove snap ring (5-068-3) from the outboard bearing housing. (Flat snap ring located on the inside of the outboard bearing housing.)
5. Finish removing the shaft and outboard bearing.
6. Remove the snap ring (5-086-0) from the outboard end (motor end) of the pump shaft.
7. Using a suitable bearing press, remove the inboard bearing (5-026-3) and the outboard bearing (5-026-4) from the pump shaft (5-007-0).

CASING WEARING RING REMOVAL (OPTIONAL)

The optional wearing rings are removed from the casing and stuffing box cover by the following method:

1. Drill two axial holes into each wearing ring approximately 180° apart being careful not to drill into casing or stuffing box cover.
2. Split the wearing rings using a chisel.
3. Remove the parts from the wearing ring fit.

This completes the disassembly of the Series A-C 2000 frame mounted pump.

ASSEMBLY PROCEDURES

FRAME ASSEMBLY

1. Press the outboard bearing (5-026-4) onto the motor side of the pump shaft (5-007-0).

NOTE: When pressing bearings onto the shaft, press only against the inner race.

2. Install snap ring (5-086-0) on the pump shaft with the tapered edge away from the bearing (outboard side of outboard bearing).
3. Place snap ring (5-068-3, flat snap ring) over the pump shaft (5-007-0) positioning the snap ring between the two bearing shoulders.

NOTE: There are two snap rings that go into the outboard bearing housing: snap rings (5-068-3 and 5-068-4). Snap ring (5-068-3) is flat and goes into the inside snap ring groove, and snap ring (5-068-4) is tapered and goes into the outside snap ring groove.

4. Press inboard bearing (5-026-3) onto the inboard side (pump side) of the pump shaft.
5. Press the inboard end (pump end) of the shaft-bearing assembly into the outboard end (motor end) of the pump frame. Press the unit toward the pump side of the frame until the inboard bearing clears the outboard bearing housing.

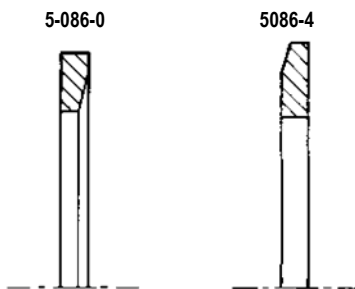


FIG. 6 – Tapered Snap Rings

6. Using a suitable pair of snap ring pliers, place snap ring (5-068-3, located on the pump shaft between the bearings) into the inside snap ring groove of the outboard bearing housing.
7. Continue pressing the shaft and bearing assembly into the frame until the outboard

bearing (5-026-4) seats firmly against snap ring (5-068-3) inside the outboard bearing housing.

8. Place snap ring (5-068-4) in the outside snap ring groove of the outboard bearing housing (tapered edge away from bearing).
9. Install bearing caps (5-018-3 and 5-018-4) onto both ends of the pump frame.

STUFFING BOX ASSEMBLY

NOTE: There are two pipe taps on the stuffing box; one closest to the gland, and one furthest away from the gland.

If the pump is equipped with mechanical seals, the stuffing box cover should be positioned with the pipe tap closest to the gland on top.

If the pump is equipped with packing, the stuffing box cover should be positioned so the pipe tap furthest away from the gland is on top.

For ease of assembly, install pipe fittings in the stuffing box pipe taps before assembling stuffing box on the frame.

A. Pumps with Mechanical Seals

1. Install the two gland retaining studs (6-908-0) into the stuffing box cover.
2. Install the rotating and stationary elements of the mechanical seal (6-400-0) on the shaft sleeve (1-009-0) being certain that the two wearing surfaces face each other. Position the seal on the sleeve according to the "G" dimension found in Fig. 7.
3. Place seal spring retainer into stuffing box.
4. Place seal spring into stuffing box.
5. Place sleeve and seal assembly into stuffing box with rotating half of seal installed closest to the impeller.
6. Install the seal gland (6-014-0) (flat side toward stuffing box) on the stuffing box using the gland studs (6-908-0) and gland nuts (6-903-0). Tighten gland nuts evenly until the gland is approximately 1/8" from the stuffing box.

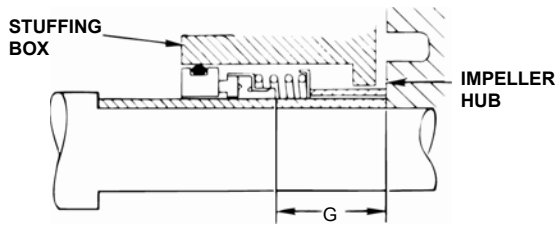


FIG. 7

"G" Setting Dimensions	
Shaft Sleeve OD (inches)	G (inches)
1.25	1.22
1.62	1.31
2.0	1.38

- Slide the deflector ring (1-136-0) onto the motor shaft.
- Slide the stuffing box cover, seal, and sleeve assembly onto the frame shaft being certain the stuffing box is closest to the frame. To prevent any leakage, use silicone sealant between the shaft and shaft sleeve.
- If applicable, bolt the frame to the stuffing box using capscrews (1-904-0).

IMPELLER INSTALLATION

- If the pump is equipped with mechanical seals, slide the spacer sleeve (1-154-0) over the shaft sleeve and into the stuffing box.
- Install the impeller key into the keyway on the impeller side of the pump shaft.
- Slide the pump impeller (4-002-0) onto the pump shaft.
- Screw the impeller nut (4-023-0) onto the pump shaft until finger tight. Clamp the coupling end of the pump shaft in a padded vise, and tighten (clockwise as viewed from the suction inlet) the impeller nut to 25-30 ft. lbs.
- For pumps with mechanical seals, tighten gland evenly against the stuffing box.

FINAL ASSEMBLY

- Place the O-ring casing seal (2-914-0) around the O-ring seat on the stuffing box cover.
- Carefully slide the frame assembly into the casing being sure not to pinch the O-ring. Insert the capscrews (1-904-0) through the frame and into the casing (the large Series A-C 2000 pumps use capscrews and clamping lugs (2-937-0) to hold the frame to the casing). Tighten opposite capscrews evenly around the frame until the stuffing box has been drawn evenly into the casing. Then alternately torque each capscrew to 25 lbs.
- Secure frame foot to pump base.
- If necessary, connect the suction and discharge piping to the pump.
- Connect the flush line to the stuffing box.

B. Pumps with Packed Stuffing Boxes

- Slide deflector (1-136-0) onto the pump shaft.
- Slide the packing gland (6-014-0) onto the pump shaft (flat side toward frame).
- Slide the shaft sleeve (1-009-0) onto the pump shaft. To prevent leakage, use silicone sealant between the shaft and shaft sleeve.
- Place the packing base ring (6-152-0) into the stuffing box. Slide the stuffing box cover over the pump shaft, and, if applicable, bolt the stuffing box to the frame using capscrews (1-904-0).
- Install the packing (6-924-0) and, if applicable, the seal cage (6-013-0) into the stuffing box being sure to stagger the joints.
- Tighten the packing gland nuts to seat the packing. Loosen the nuts to permit the packing to expand then retighten finger tight.

6. Align the pump to the motor as instructed.
7. Connect the pump to the motor. Reinstall the coupling guard and drain plugs. Close drain valve.
8. Connect the power to the motor. **CHECK THE MOTOR ROTATION.**
9. Open isolation valves, inspect pump for leaks. If not leaking, return pump to service.

NOTE FOR PACKED PUMPS: Final adjustment of the gland nuts must be done with the pump running. Allow 30 minutes between adjustments. Tightening the nuts too quickly can cause damage to the packing and sleeve. A good adjustment should allow approximately one (1) drip per second.

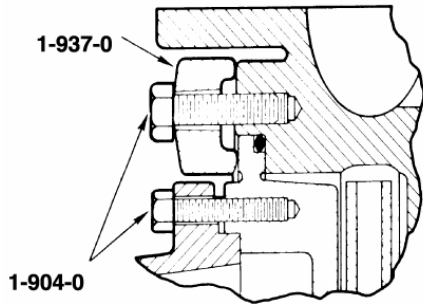
This completes the assembly of the Series A-C 2000 pump.

NOTE: All pumps are shipped with coupling guards. Coupling guards must be in place before operating pump.

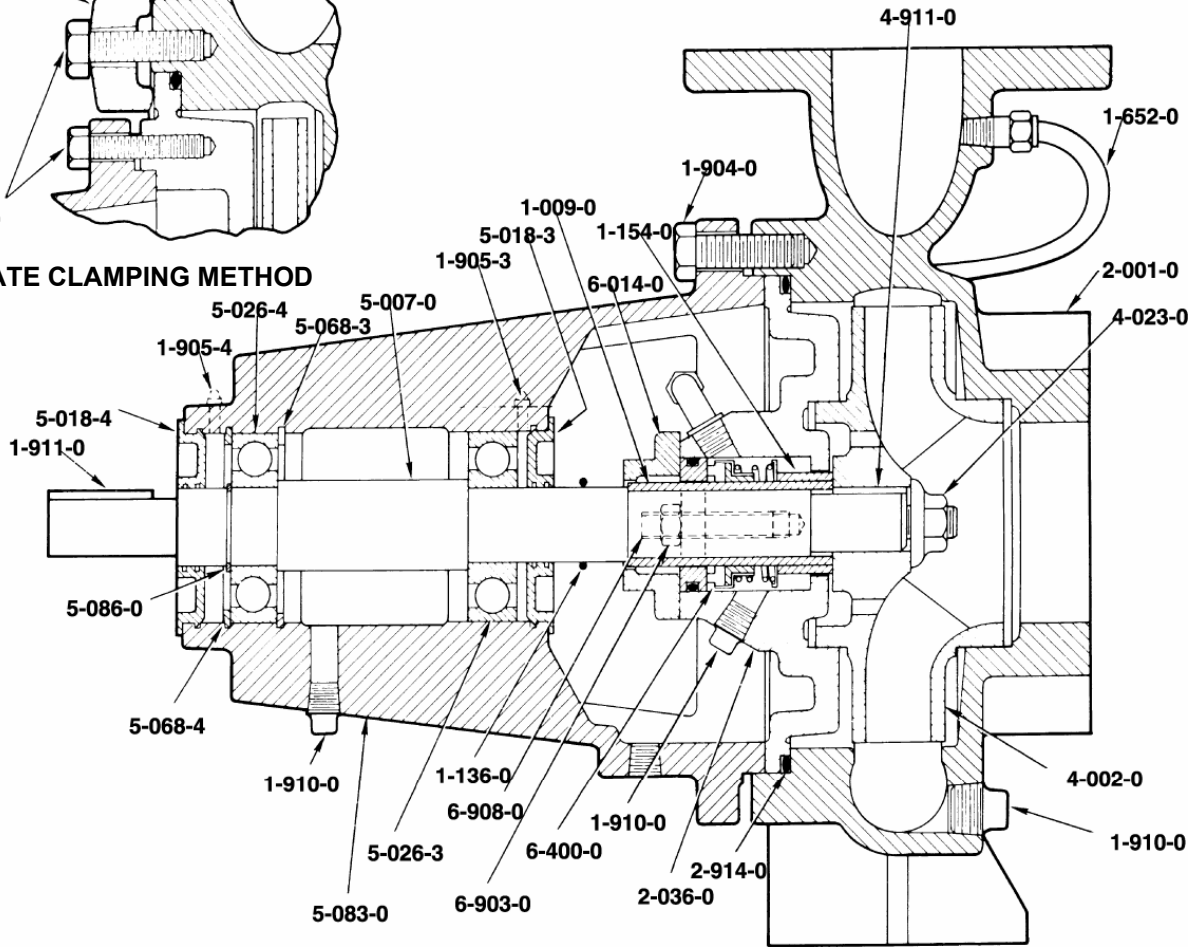


WARNING

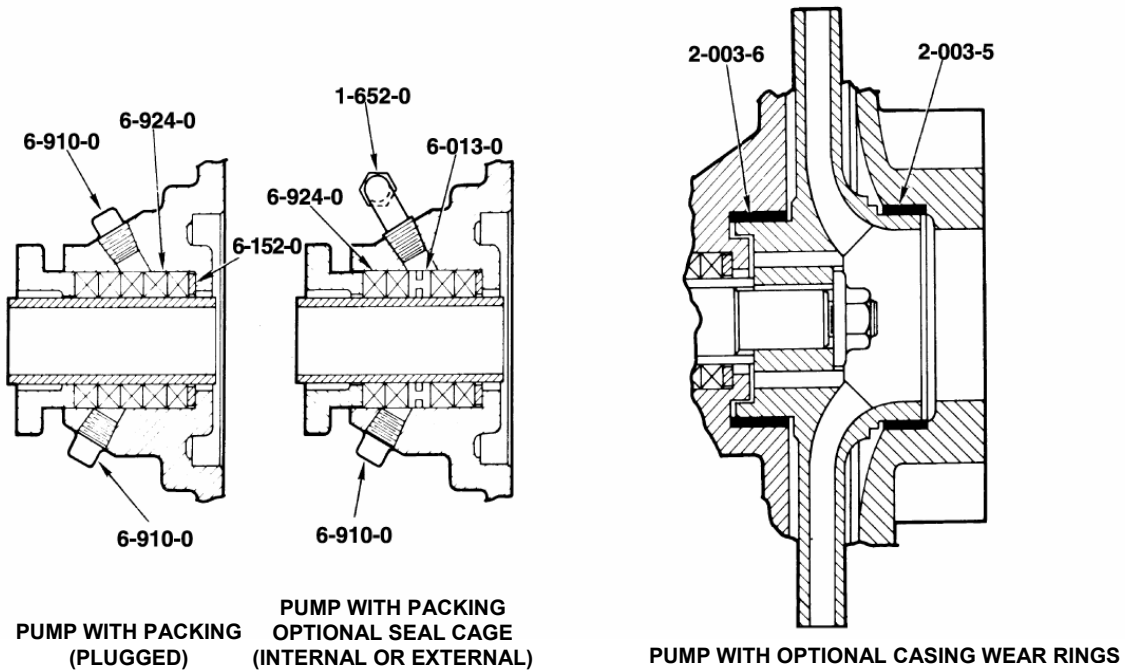
Do not operate without all guards in place. Failure to follow these instructions could result in injury or death.



ALTERNATE CLAMPING METHOD



INTERNAL OR EXTERNAL FLUSH



PUMP WITH PACKING (PLUGGED)

PUMP WITH PACKING OPTIONAL SEAL CAGE (INTERNAL OR EXTERNAL)

PUMP WITH OPTIONAL CASING WEAR RINGS

REPAIR PARTS LIST

Cat. No.	Part Name	Quantity
1-009-0	Shaft Sleeve	1
1-136-0	Deflector	1
1-154-0	Spacer Sleeve	1
1-248-1	Frame Foot Assembly	1
1-652-0	By-Pass Piping Kit	1
1-904-0	Capscrews – Miscellaneous	8
	With Lugs	16
1-905-3	Grease Fitting, Inboard	1
1-905-4	Grease Fitting Outboard	1
1-910-0	Pipe Plugs	2
	Without By-Pass	3
1-911-0	Key, Coupling	1
2-001-0	Casing	1
2-036-0	Stuffing Box Cover	1
2-914-0	O-Ring, Casing Seal	1
2-937-0	Clamping Lug	8
4-002-0	Impeller	1
4-023-0	Impeller Nut	1
4-911-0	Key, Impeller	1
5-007-0	Shaft	1
5-018-3	Bearing Cap, Inboard	1

Cat. No.	Part Name	Quantity
5-018-4	Bearing Cap, Outboard	1
5-026-3	Bearing, Inboard	1
5-026-4	Bearing, Outboard	1
5-068-3	Snap Ring, Inboard Bearing Housing	1
5-068-4	Snap Ring, Outboard Bearing Housing	1
5-083-0	Frame	1
5-086-0	Snap Ring, Shaft	1
6-014-0	Gland	1
6-152-0	Ring Packing Base	1
6-400-0	Mechanical Seal	1
6-903-0	Gland Nut	2
6-908-0	Gland Stud	2
6-910-0	Pipe Plug	1
	Without By-Pass	2
6-924-0	Packing	5
	With Seal Cage	4

OPTIONAL COMPONENTS		
1-652-0	By-Pass Piping Kit, Seal Cage	1
2-003-5	Wear Ring, Suction	1
2-003-6	Wear Ring, Stuffing Box	1
6-013-0	Seal Cage	1

COMMERCIAL WARRANTY

Warranty. For goods sold to commercial buyers, Seller warrants the goods sold to Buyer hereunder (with the exception of membranes, seals, gaskets, elastomer materials, coatings and other “wear parts” or consumables all of which are not warranted except as otherwise provided in the quotation or sales form) will be (i) be built in accordance with the specifications referred to in the quotation or sales form, if such specifications are expressly made a part of this Agreement, and (ii) free from defects in material and workmanship for a period of one (1) year from the date of installation or eighteen (18) months from the date of shipment (which date of shipment shall not be greater than thirty (30) days after receipt of notice that the goods are ready to ship), whichever shall occur first, unless a longer period is specified in the product documentation (the “Warranty”).

Except as otherwise required by law, Seller shall, at its option and at no cost to Buyer, either repair or replace any product which fails to conform with the Warranty provided Buyer gives written notice to Seller of any defects in material or workmanship within ten (10) days of the date when any defects or non-conformance are first manifest. Under either repair or replacement option, Seller shall not be obligated to remove or pay for the removal of the defective product or install or pay for the installation of the replaced or repaired product and Buyer shall be responsible for all other costs, including, but not limited to, service costs, shipping fees and expenses. Seller shall have sole discretion as to the method or means of repair or replacement. Buyer’s failure to comply with Seller’s repair or replacement directions shall terminate Seller’s obligations under this Warranty and render the Warranty void. Any parts repaired or replaced under the Warranty are warranted only for the balance of the warranty period on the parts that were repaired or replaced. Seller shall have no warranty obligations to Buyer with respect to any product or parts of a product that have been: (a) repaired by third parties other than Seller or without Seller’s written approval; (b) subject to misuse, misapplication, neglect, alteration, accident, or physical damage; (c) used in a manner contrary to Seller’s instructions for installation, operation and maintenance; (d) damaged from ordinary wear and tear, corrosion, or chemical attack; (e) damaged due to abnormal conditions, vibration, failure to properly prime, or operation without flow; (f) damaged due to a defective power supply or improper electrical protection; or (g) damaged resulting from the use of accessory equipment not sold or approved by Seller. In any case of products not manufactured by Seller, there is no warranty from Seller; however, Seller will extend to Buyer any warranty received from Seller’s supplier of such products.

THE FOREGOING WARRANTY IS EXCLUSIVE AND IN LIEU OF ANY AND ALL OTHER EXPRESS OR IMPLIED WARRANTIES, GUARANTEES, CONDITIONS OR TERMS OF WHATEVER NATURE RELATING TO THE GOODS PROVIDED HEREUNDER, INCLUDING WITHOUT LIMITATION ANY IMPLIED WARRANTIES OF MERCHANTABILITY AND FITNESS FOR A PARTICULAR PURPOSE, WHICH ARE HEREBY EXPRESSLY DISCLAIMED AND EXCLUDED. EXCEPT AS OTHERWISE REQUIRED BY LAW, BUYER’S EXCLUSIVE REMEDY AND SELLER’S AGGREGATE LIABILITY FOR BREACH OF ANY OF THE FOREGOING WARRANTIES ARE LIMITED TO REPAIRING OR REPLACING THE PRODUCT AND SHALL IN ALL CASES BE LIMITED TO THE AMOUNT PAID BY THE BUYER FOR THE DEFECTIVE PRODUCT. IN NO EVENT SHALL SELLER BE LIABLE FOR ANY OTHER FORM OF DAMAGES, WHETHER DIRECT, INDIRECT, LIQUIDATED, INCIDENTAL, CONSEQUENTIAL, PUNITIVE, EXEMPLARY OR SPECIAL DAMAGES, INCLUDING BUT NOT LIMITED TO LOSS OF PROFIT, LOSS OF ANTICIPATED SAVINGS OR REVENUE, LOSS OF INCOME, LOSS OF BUSINESS, LOSS OF PRODUCTION, LOSS OF OPPORTUNITY OR LOSS OF REPUTATION.

LIMITED CONSUMER WARRANTY

Warranty. For goods sold for personal, family or household purposes, Seller warrants the goods purchased hereunder (with the exception of membranes, seals, gaskets, elastomer materials, coatings and other "wear parts" or consumables all of which are not warranted except as otherwise provided in the quotation or sales form) will be free from defects in material and workmanship for a period of one (1) year from the date of installation or eighteen (18) months from the product date code, whichever shall occur first, unless a longer period is provided by law or is specified in the product documentation (the "Warranty").

Except as otherwise required by law, Seller shall, at its option and at no cost to Buyer, either repair or replace any product which fails to conform with the Warranty provided Buyer gives written notice to Seller of any defects in material or workmanship within ten (10) days of the date when any defects or non-conformance are first manifest. Under either repair or replacement option, Seller shall not be obligated to remove or pay for the removal of the defective product or install or pay for the installation of the replaced or repaired product and Buyer shall be responsible for all other costs, including, but not limited to, service costs, shipping fees and expenses. Seller shall have sole discretion as to the method or means of repair or replacement. Buyer's failure to comply with Seller's repair or replacement directions shall terminate Seller's obligations under this Warranty and render this Warranty void. Any parts repaired or replaced under the Warranty are warranted only for the balance of the warranty period on the parts that were repaired or replaced. The Warranty is conditioned on Buyer giving written notice to Seller of any defects in material or workmanship of warranted goods within ten (10) days of the date when any defects are first manifest.

Seller shall have no warranty obligations to Buyer with respect to any product or parts of a product that have been: (a) repaired by third parties other than Seller or without Seller's written approval; (b) subject to misuse, misapplication, neglect, alteration, accident, or physical damage; (c) used in a manner contrary to Seller's instructions for installation, operation and maintenance; (d) damaged from ordinary wear and tear, corrosion, or chemical attack; (e) damaged due to abnormal conditions, vibration, failure to properly prime, or operation without flow; (f) damaged due to a defective power supply or improper electrical protection; or (g) damaged resulting from the use of accessory equipment not sold or approved by Seller. In any case of products not manufactured by Seller, there is no warranty from Seller; however, Seller will extend to Buyer any warranty received from Seller's supplier of such products.

THE FOREGOING WARRANTY IS PROVIDED IN PLACE OF ALL OTHER EXPRESS WARRANTIES. ALL IMPLIED WARRANTIES, INCLUDING BUT NOT LIMITED TO THE IMPLIED WARRANTIES OF MERCHANTABILITY AND FITNESS FOR A PARTICULAR PURPOSE, ARE LIMITED TO ONE (1) YEAR FROM THE DATE OF INSTALLATION OR EIGHTEEN (18) MONTHS FROM THE PRODUCT DATE CODE, WHICHEVER SHALL OCCUR FIRST. EXCEPT AS OTHERWISE REQUIRED BY LAW, BUYER'S EXCLUSIVE REMEDY AND SELLER'S AGGREGATE LIABILITY FOR BREACH OF ANY OF THE FOREGOING WARRANTIES ARE LIMITED TO REPAIRING OR REPLACING THE PRODUCT AND SHALL IN ALL CASES BE LIMITED TO THE AMOUNT PAID BY THE BUYER FOR THE DEFECTIVE PRODUCT. IN NO EVENT SHALL SELLER BE LIABLE FOR ANY OTHER FORM OF DAMAGES, WHETHER DIRECT, INDIRECT, LIQUIDATED, INCIDENTAL, CONSEQUENTIAL, PUNITIVE, EXEMPLARY OR SPECIAL DAMAGES, INCLUDING BUT NOT LIMITED TO LOSS OF PROFIT, LOSS OF ANTICIPATED SAVINGS OR REVENUE, LOSS OF INCOME, LOSS OF BUSINESS, LOSS OF PRODUCTION, LOSS OF OPPORTUNITY OR LOSS OF REPUTATION.

Some states do not allow limitations on how long an implied warranty lasts, so the above limitation may not apply to you. Some states do not allow the exclusion or limitation of incidental or consequential damages, so the above exclusions may not apply to you. This warranty gives you specific legal rights, and you may also have other rights which may vary from state to state.

To make a warranty claim, check first with the dealer from whom you purchased the product or call the following number for the name and location of the nearest dealer providing warranty service. For Goulds Water Technology contact 315-568-7123. For all other products, contact 847-966-3700.

NOTES

ORDERING PARTS

The pumps covered by this manual have been designed and built with certain replaceable wearing parts. The recommended inventory of spare parts depends upon the installation and the importance of continued operation.

For critical service requiring a minimum of “down time” a complete or “quick change” rotating element is recommended.

For normal service, with repairs to be made in the field, the following parts are recommended for stock.

- 1 set of bearings
- 1 set of wearing rings
- 2 sets of gaskets and O-rings
- 2 mechanical seals (complete)

Parts should be ordered as far in advance of their use as possible since circumstances

beyond the control of the company may reduce existing stock. Not all parts are stocked and must be manufactured for each order.

To facilitate rapid handling of your order for spare parts, be sure to include the following information:

1. Serial number of the pump.
2. Quantity of each part.
3. Catalog number of the part.
4. Name of the part.
5. Material desired. (Parts will be furnished in original materials unless specified as a material change. All material substitutions should be discussed with the factory.)

DEALER SERVICING

If trouble occurs that cannot be rectified, contact your local Goulds Water Technology representative. He will need the following information in order to give you assistance.

1. Complete nameplate data of pump and motor.
2. Suction and discharge pipe pressure gauge readings.
3. Ampere draw of the motor.
4. A sketch of the pump hook-up and piping.



Xylem Inc.
8200 N. Austin Avenue
Morton Grove, Illinois 60053
Phone: (847) 966-3700
Fax: (847) 965-8379
www.xylem.com/gouldswatertechnology

Goulds is a registered trademark of Goulds Pumps, Inc. and is used under license. Aquavar is a trademark of Xylem, Inc. or one of its subsidiaries.
© 2019 Xylem Inc. P65033D February 2019