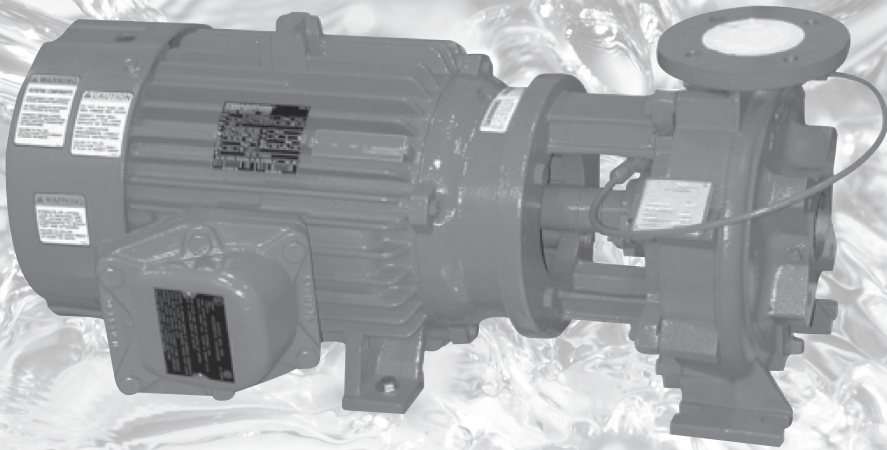


**PARTS LIST**  
RAC2000CC R1



Replacement Parts for

# Series A-C 2000

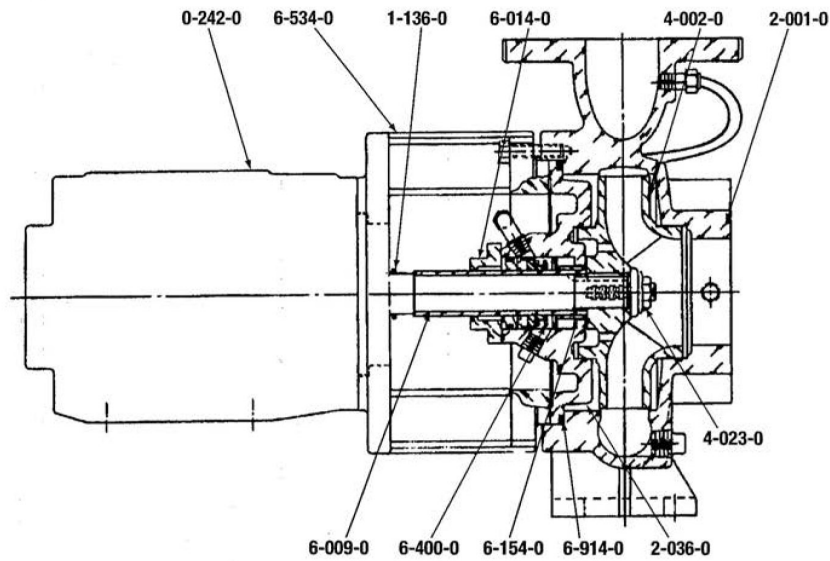
CLOSED COUPLED PUMPS

 **GOULDS**  
WATER TECHNOLOGY  
a xylem brand

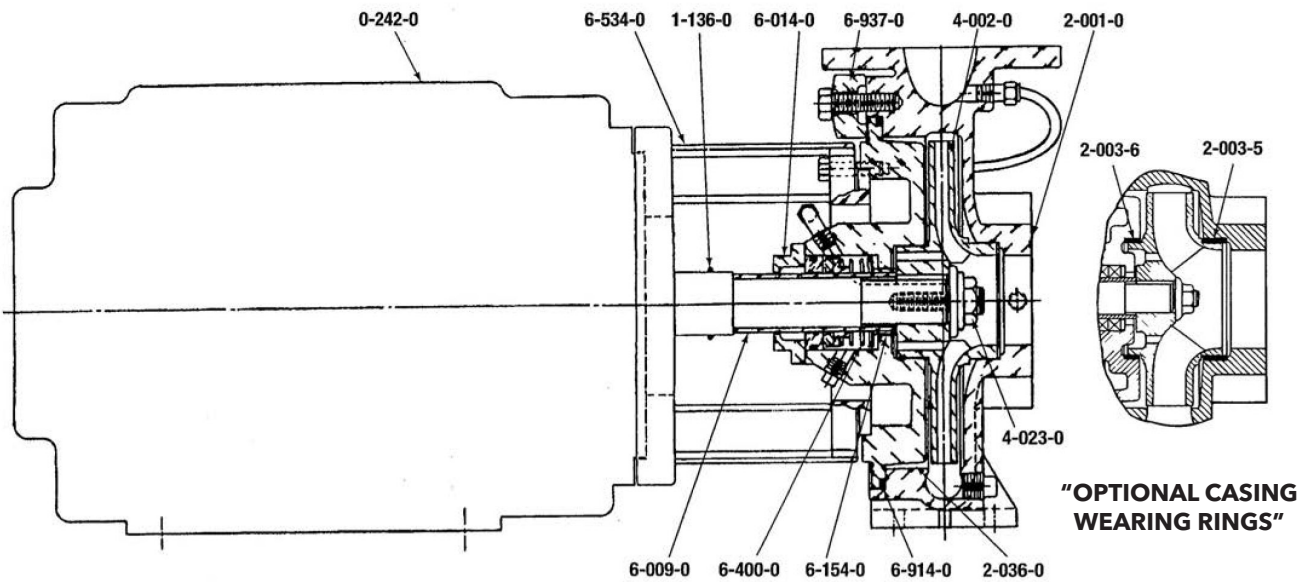
### INDEX

Cross Sectional View - Mechanical Seal Construction .....	3
Cross Sectional View - Packing Construction.....	4
<b><u>Power Module No. 1 (143JP - 184JP)</u></b>	
2x1½x6½, 2½x2x6½S, 2½x2x6½L, 3x2x6½S, 3x2x6½L, 4x3x6½ .....	5
1½x1½x9, 2x1½x9, 2½x2x9S, 2½x2x9L, 3x2½x9 .....	6
4x3x9, 6x4x9, 3x2x10, 3x2x11, 3x2½x11 .....	7
<b><u>Power Module No. 2 (213JP - 256JP)</u></b>	
2x1½x6½, 2½x2x6½S, 2½x2x6½L, 3x2x6½S, 3x2x6½L, 4x3x6½ .....	8
1½x1½x9, 2x1½x9, 2½x2x9S, 2½x2x9L, 3x2½x9 .....	9
4x3x9, 6x4x9, 6x6x9, 8x6x9, 6x6x9½, 8x6x9½, 3x2x10 .....	10
3x2x11, 3x2½x11, 4x3x11, 4x4x11, 6x6x11, 8x6x11.....	11
3x2½x13, 4x3x13, 6x4x13, 6x6x13S, 6x6x13L .....	12
<b><u>Power Module No. 4 (284JP - 326JP)</u></b>	
2½x2x6½L, 3x2x6½L, 4x3x6½, 2x1½x9, 2½x2x9S, 2½x2x9L, 3x2x9 .....	13
3x2½x9, 4x3x9, 6x6x9, 8x6x9, 6x6x9½, 8x6x9½, 3x2x10.....	14
4x4x11, 6x6x11, 8x6x11, 3x2½x13, 4x3x13, 6x4x13, 6x6x13S, 6x6x13L .....	15
<b><u>Power Module No. 8 (364JP - 365JP)</u></b>	
3x2½x9, 4x3x9, 6x6x13S, 6x6x13L, 8x6x13 .....	16

### CROSS SECTIONAL VIEW

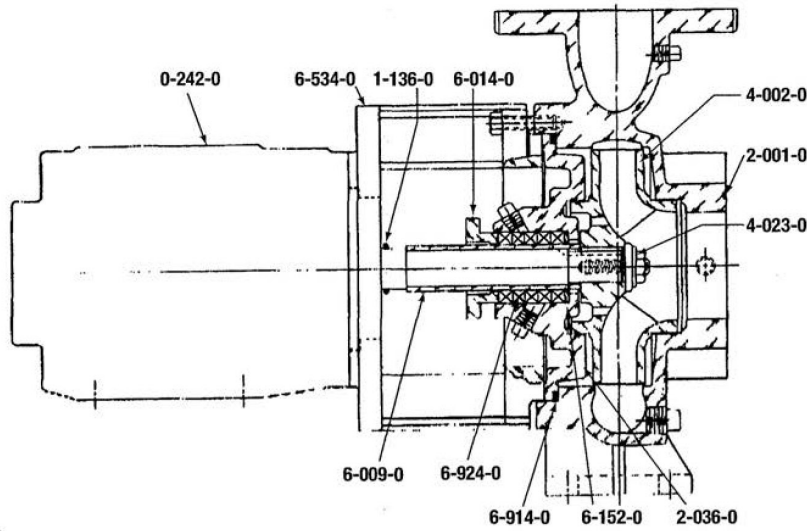


**Mechanical Seal without Clamping Lugs**

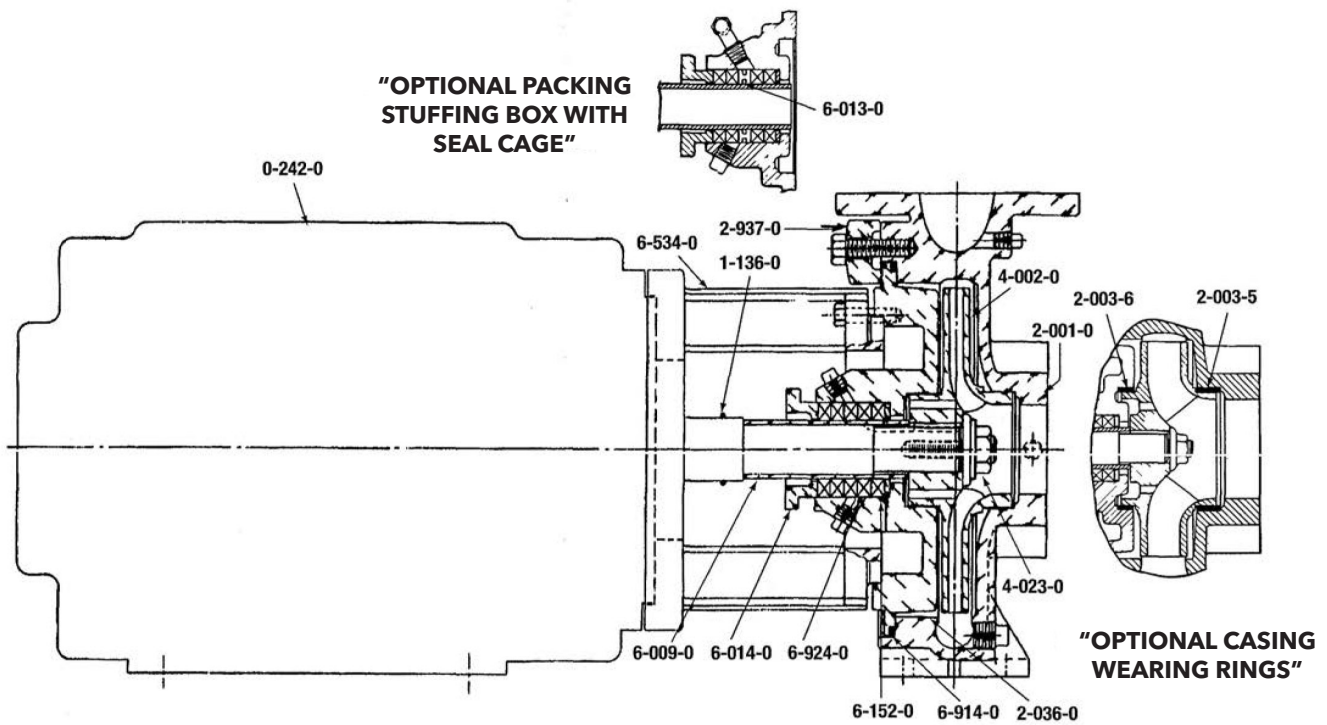


**Mechanical Seal with Clamping Lugs**

### CROSS SECTIONAL VIEW



**Packing without Clamping Lugs**



**Packing with Clamping Lugs**

## SERIES A-C 2000 PARTS LIST

CATALOG NO.	PART NAME	QTY.	MATERIAL	Part Number					
				2x1½x6½	2½x2x6½S	2½x2x6½L	3x2x6½S	3x2x6½L	4x3x6½
<b>143JP-184JP Power Module No. 1</b>									
6-534-0	Adapter	1	Cast Iron	AC0334	AC0334	AC0334	AC0334	AC0334	AC0337
4-002-0	Impeller	1	Bronze	AC0340	AC0342	AC0344	AC0346	AC0348	AC0396
4-002-0	Impeller	1	Cast Iron	AC0341	AC0343	AC0345	AC0347	AC0349	AC0397
2-036-0	Stuff Box Cover	1	Cast Iron	AC0277	AC0277	AC0277	AC0277	AC0277	AC0307
4-908-0	Impeller Stud	1	Steel	AC0582	AC0582	AC0582	AC0582	AC0582	AC0582
4-023-0	Impeller Nut	1	Steel	AC0585	AC0585	AC0585	AC0585	AC0585	AC0585
4-909-0	Impeller Washer	1	Steel	AC0502	AC0502	AC0502	AC0502	AC0502	P11190
4-911-0	Impeller Key	1	Steel	AC0520	AC0520	AC0520	AC0520	AC0520	AC0520
2-904-0	Bolt (Motor to Adapter)	4	Steel	H52100	H52100	H52100	H52100	H52100	H52100
6-009-0	Shaft Sleeve	1	Bronze	AC0611	AC0611	AC0611	AC0611	AC0611	AC0611
6-009-0	Shaft Sleeve	1	Stainless Steel	AC0610	AC0610	AC0610	AC0610	AC0610	AC0610
2-001-0	Casing	1	Cast Iron	AC0235	AC0238	AC0238	AC0239	AC0239	AC0251
6-914-0	O-Ring (Casing)	1	Rubber	AC0540	AC0540	AC0540	AC0540	AC0540	AC0541
2-904-0	Bolts (Casing) **		Steel	H52100	H52100	H52100	H52100	H52100	DJ0114
6-937-0	Clamping Lugs	8	Steel	N/A	N/A	N/A	N/A	N/A	N/A
6-904-0	Lug Bolt	8	Steel	N/A	N/A	N/A	N/A	N/A	N/A
6-014-0	Gland	1	Stainless Steel	AC0661	AC0661	AC0661	AC0661	AC0661	AC0661
6-014-0	Gland	1	ZA-73	AC0660	AC0660	AC0660	AC0660	AC0660	AC0660
6-908-0	Studs (Gland)	2	Steel	AC0581	AC0581	AC0581	AC0581	AC0581	AC0581
6-903-0	Nuts (Gland)	2	Steel	AC0501	AC0501	AC0501	AC0501	AC0501	AC0501
1-136-0	Slinger	1	Rubber	AC0546	AC0546	AC0546	AC0546	AC0546	AC0546
<b>MECHANICAL SEAL ONLY</b>									
6-400-0	Mechanical Seal		Buna/Carbon	AC0630	AC0630	AC0630	AC0630	AC0630	AC0630
6-400-0	Mechanical Seal		Buna/Carbon	AC3044	AC3044	AC3044	AC3044	AC3044	AC3044
6-400-0	Mechanical Seal		EP/Carbon	AC0633	AC0633	AC0633	AC0633	AC0633	AC0633
6-400-0	Mechanical Seal		EP/Carbon	AC3047	AC3047	AC3047	AC3047	AC3047	AC3047
6-154-0	Spacer Sleeve		Steel	AC0570	AC0570	AC0570	AC0570	AC0570	AC0571
<b>PACKING ONLY</b>									
6-924-0	Packing (5 req.)		Non-Asbestos	AC0940	AC0940	AC0940	AC0940	AC0940	AC0940
6-152-0	Packing Base Ring		Steel	AC0590	AC0590	AC0590	AC0590	AC0590	AC0590
6-013-0	Seal Cage (Optional)		Teflon	AC0801	AC0801	AC0801	AC0801	AC0801	AC0801
<b>OPTIONAL</b>									
4-002-0	Impeller For Wear Ring		Bronze	AC1201	AC1203	AC1204	AC1207	AC1208	AC1351
4-002-0	Impeller For Wear Ring		Cast Iron	AC1227	AC1229	AC1230	AC1233	AC1234	AC1370
2-003-5	Wear Ring (Casing)		Cast Iron	AC0771	AC0773	AC0773	AC0776	AC0776	AC0781
2-003-6	Wear Ring (Stuff Box)		Cast Iron	AC0776	AC0776	AC0776	AC0776	AC0776	AC0779
2-003-5	Wear Ring (Casing)		Bronze	AC0751	AC0753	AC0753	AC0756	AC0756	AC0761
2-003-6	Wear Ring (Stuff Box)		Bronze	AC0756	AC0756	AC0756	AC0756	AC0756	AC0759
6-952-0	By-Pass Piping *		Plastic/Bronze	AC0670	AC0670	AC0670	AC0670	AC0670	AC0671
6-952-0	By-Pass Piping *		Plastic/Steel	AC0673	AC0673	AC0673	AC0673	AC0673	AC0674

Factory Recommended Spare Parts

\* For liquid temperature below 160°F

\*\* 8 required without lugs, 4 required with lugs

## SERIES A-C 2000 PARTS LIST

CATALOG NO.	PART NAME	QTY.	MATERIAL	Part Number					
				1½x1½x9	2x1½x9	2½x2x9S	2½x2x9L	3x2x9	3x2½x9
<b>143JP-184JP Power Module No. 1</b>									
6-534-0	Adapter	1	Cast Iron	AC0334	AC0334	AC0334	AC0334	AC0334	AC0337
4-002-0	Impeller	1	Bronze	AC0350	AC0352	AC0354	AC0356	AC0356	AC0398
4-002-0	Impeller	1	Cast Iron	AC0351	AC0353	AC0355	AC0357	AC0357	AC0399
2-036-0	Stuff Box Cover	1	Cast Iron	AC0281	AC0281	AC0281	AC0281	AC0281	AC0307
4-908-0	Impeller Stud	1	Steel	AC0582	AC0582	AC0582	AC0582	AC0582	AC0582
4-023-0	Impeller Nut	1	Steel	AC0585	AC0585	AC0585	AC0585	AC0585	AC0585
4-909-0	Impeller Washer	1	Steel	AC0502	AC0502	AC0502	AC0502	AC0502	P11190
4-911-0	Impeller Key	1	Steel	AC0520	AC0520	AC0520	AC0520	AC0520	AC0520
2-904-0	Bolt (Motor to Adapter)	4	Steel	H52100	H52100	H52100	H52100	H52100	H52100
6-009-0	Shaft Sleeve	1	Bronze	AC0611	AC0611	AC0611	AC0611	AC0611	AC0611
6-009-0	Shaft Sleeve	1	Stainless Steel	AC0610	AC0610	AC0610	AC0610	AC0610	AC0610
2-001-0	Casing	1	Cast Iron	AC0240	AC0243	AC0244	AC0244	AC0246	AC0252
6-914-0	O-Ring (Casing)	1	Rubber	AC0541	AC0541	AC0541	AC0541	AC0541	AC0541
2-904-0	Bolts (Casing) **		Steel	H52100	H52100	H52100	H52100	H52100	DJ0114
6-937-0	Clamping Lugs	8	Steel	AC0650	AC0650	AC0650	AC0650	AC0650	N/A
6-904-0	Lug Bolt	8	Steel	P45110	P45110	P45110	P45110	P45110	N/A
6-014-0	Gland	1	Stainless Steel	AC0661	AC0661	AC0661	AC0661	AC0661	AC0661
6-014-0	Gland	1	ZA-73	AC0660	AC0660	AC0660	AC0660	AC0660	AC0660
6-908-0	Studs (Gland)	2	Steel	AC0581	AC0581	AC0581	AC0581	AC0581	AC0581
6-903-0	Nuts (Gland)	2	Steel	AC0501	AC0501	AC0501	AC0501	AC0501	AC0501
1-136-0	Slinger	1	Rubber	AC0546	AC0546	AC0546	AC0546	AC0546	AC0546
<b>MECHANICAL SEAL ONLY</b>									
6-400-0	Mechanical Seal		Buna/Carbon	AC0630	AC0630	AC0630	AC0630	AC0630	AC0630
6-400-0	Mechanical Seal		Buna/Carbon	AC3044	AC3044	AC3044	AC3044	AC3044	AC3044
6-400-0	Mechanical Seal		EP/Carbon	AC0633	AC0633	AC0633	AC0633	AC0633	AC0633
6-400-0	Mechanical Seal		EP/Carbon	AC3047	AC3047	AC3047	AC3047	AC3047	AC3047
6-154-0	Spacer Sleeve		Steel	AC0570	AC0570	AC0570	AC0570	AC0570	AC0571
<b>PACKING ONLY</b>									
6-924-0	Packing (5 req.)		Non-Asbestos	AC0940	AC0940	AC0940	AC0940	AC0940	AC0940
6-152-0	Packing Base Ring		Steel	AC0590	AC0590	AC0590	AC0590	AC0590	AC0590
6-013-0	Seal Cage (Optional)		Teflon	AC0801	AC0801	AC0801	AC0801	AC0801	AC0801
<b>OPTIONAL</b>									
4-002-0	Impeller For Wear Ring		Bronze	AC1200	AC1202	AC1205	AC1206	AC1206	AC1350
4-002-0	Impeller For Wear Ring		Cast Iron	AC1226	AC1228	AC1231	AC1232	AC1232	AC1369
2-003-5	Wear Ring (Casing)		Cast Iron	AC0770	AC0772	AC0772	AC0772	AC0772	AC0777
2-003-6	Wear Ring (Stuff Box)		Cast Iron	AC0772	AC0772	AC0772	AC0772	AC0772	AC0779
2-003-5	Wear Ring (Casing)		Bronze	AC0750	AC0752	AC0752	AC0752	AC0752	AC0757
2-003-6	Wear Ring (Stuff Box)		Bronze	AC0752	AC0752	AC0752	AC0752	AC0752	AC0759
6-952-0	By-Pass Piping *		Plastic/Bronze	AC0670	AC0670	AC0670	AC0670	AC0670	AC0671
6-952-0	By-Pass Piping *		Plastic/Steel	AC0673	AC0673	AC0673	AC0673	AC0673	AC0674

Factory Recommended Spare Parts

\* For liquid temperature below 160°F      \*\* 8 required without lugs, 4 required with lugs

## SERIES A-C 2000 PARTS LIST

CATALOG NO.	PART NAME	QTY.	MATERIAL	Part Number				
				4x3x9	6x4x9	3x2x10	3x2x11	3x2½x11
<b>143JP-184JP Power Module No. 1</b>								
6-534-0	Adapter	1	Cast Iron	AC0337	AC0337	AC0334	AC0334	AC0334
4-002-0	Impeller	1	Bronze	AC0400	AC0402	AC3004	AC0358	AC0360
4-002-0	Impeller	1	Cast Iron	AC0401	AC0403	AC3005	AC0359	AC0361
2-036-0	Stuff Box Cover	1	Cast Iron	AC0307	AC0311	AC0281	AC0281	AC0281
4-908-0	Impeller Stud	1	Steel	AC0582	AC0582	AC0582	AC0582	AC0582
4-023-0	Impeller Nut	1	Steel	AC0585	AC0585	AC0585	AC0585	AC0585
4-909-0	Impeller Washer	1	Steel	P11190	P11190	AC0502	AC0502	AC0502
4-911-0	Impeller Key	1	Steel	AC0520	AC0520	AC0520	AC0520	AC0520
2-904-0	Bolt (Motor to Adapter)	4	Steel	H52100	H52100	H52100	H52100	H52100
6-009-0	Shaft Sleeve	1	Bronze	AC0611	AC0611	AC0611	AC0611	AC0611
6-009-0	Shaft Sleeve	1	Stainless Steel	AC0610	AC0610	AC0610	AC0610	AC0610
2-001-0	Casing	1	Cast Iron	AC0253	AC0255	AC3001	AC0249	AC0250
6-914-0	O-Ring (Casing)	1	Rubber	AC0541	AC0541	AC0541	AC0542	AC0542
2-904-0	Bolts (Casing)**		Steel	DJ0114	DJ0114	H52100	H52100	H52100
6-937-0	Clamping Lugs	8	Steel	N/A	N/A	AC0650	AC0650	AC0650
6-904-0	Lug Bolt	8	Steel	N/A	N/A	P45110	P45110	P45110
6-014-0	Gland	1	Stainless Steel	AC0661	AC0661	AC0661	AC0661	AC0661
6-014-0	Gland	1	ZA-73	AC0660	AC0660	AC0660	AC0660	AC0660
6-908-0	Studs (Gland)	2	Steel	AC0581	AC0581	AC0581	AC0581	AC0581
6-903-0	Nuts (Gland)	2	Steel	AC0501	AC0501	AC0501	AC0501	AC0501
1-136-0	Slinger	1	Rubber	AC0546	AC0546	AC0546	AC0546	AC0546
<b>MECHANICAL SEAL ONLY</b>								
6-400-0	Mechanical Seal		Buna/Carbon	AC0630	AC0630	AC0630	AC0630	AC0630
6-400-0	Mechanical Seal		Buna/Carbon	AC3044	AC3044	AC3044	AC3044	AC3044
6-400-0	Mechanical Seal		EP/Carbon	AC0633	AC0633	AC0633	AC0633	AC0633
6-400-0	Mechanical Seal		EP/Carbon	AC3047	AC3047	AC3047	AC3047	AC3047
6-154-0	Spacer Sleeve		Steel	AC0571	AC0571	AC0570	AC0570	AC0570
<b>PACKING ONLY</b>								
6-924-0	Packing (5 req.)		Non-Asbestos	AC0940	AC0940	AC0940	AC0940	AC0940
6-152-0	Packing Base Ring		Steel	AC0590	AC0590	AC0590	AC0590	AC0590
6-013-0	Seal Cage (Optional)		Teflon	AC0801	AC0801	AC0801	AC0801	AC0801
<b>OPTIONAL</b>								
4-002-0	Impeller For Wear Ring		Bronze	AC1352	AC1353	AC3006	AC1209	AC1210
4-002-0	Impeller For Wear Ring		Cast Iron	AC0458	AC1371	AC3007	AC1235	AC1236
2-003-5	Wear Ring (Casing)		Cast Iron	AC0781	AC0784	AC3003	AC0774	AC0776
2-003-6	Wear Ring (Stuff Box)		Cast Iron	AC0779	AC0787	AC0772	AC0775	AC0775
2-003-5	Wear Ring (Casing)		Bronze	AC0761	AC0764	AC3002	AC0754	AC0756
2-003-6	Wear Ring (Stuff Box)		Bronze	AC0759	AC0767	AC0752	AC0755	AC0755
6-952-0	By-Pass Piping *		Plastic/Bronze	AC0671	AC0671	AC0670	AC0670	AC0670
6-952-0	By-Pass Piping *		Plastic/Steel	AC0674	AC0674	AC0673	AC0673	AC0673

Factory Recommended Spare Parts

\* For liquid temperature below 160°F

\*\* 8 required without lugs, 4 required with lugs

## SERIES A-C 2000 PARTS LIST

CATALOG NO.	PART NAME	QTY.	MATERIAL	Part Number					
				2x1½x6½	2½x2x6½S	2½x2x6½L	3x2x6½S	3x2x6½L	4x3x6½
<b>213JP-256JP Power Module No. 2</b>									
6-534-0	Adapter	1	Cast Iron	AC0335	AC0335	AC0335	AC0335	AC0335	AC0338
4-002-0	Impeller	1	Bronze	AC0404	AC0406	AC0408	AC0410	AC0412	AC0362
4-002-0	Impeller	1	Cast Iron	AC0405	AC0407	AC0409	AC0411	AC0413	AC0363
2-036-0	Stuff Box Cover	1	Cast Iron	AC0315	AC0315	AC0315	AC0315	AC0315	AC0289
4-908-0	Impeller Stud	1	Steel	AC0580	AC0580	AC0580	AC0580	AC0580	AC0583
4-023-0	Impeller Nut	1	Steel	AC0585	AC0585	AC0585	AC0585	AC0585	AC0584
4-909-0	Impeller Washer	1	Steel	AC0502	AC0502	AC0502	AC0502	AC0502	AC0503
4-911-0	Impeller Key	1	Steel	AC0521	AC0521	AC0521	AC0521	AC0521	AC0522
2-904-0	Bolt (Motor to Adapter)	4	Steel	DJ0113	DJ0113	DJ0113	DJ0113	DJ0113	DJ0113
6-009-0	Shaft Sleeve	1	Bronze	AC0613	AC0613	AC0613	AC0613	AC0613	AC0607
6-009-0	Shaft Sleeve	1	Stainless Steel	AC0612	AC0612	AC0612	AC0612	AC0612	AC0606
2-001-0	Casing	1	Cast Iron	AC0235	AC0238	AC0238	AC0239	AC0239	AC0251
6-914-0	O-Ring (Casing)	1	Rubber	AC0540	AC0540	AC0540	AC0540	AC0540	AC0541
2-904-0	Bolts (Casing) **		Steel	H52100	H52100	H52100	H52100	H52100	DJ0114
6-937-0	Clamping Lugs	8	Steel	N/A	N/A	N/A	N/A	N/A	N/A
6-904-0	Lug Bolt	8	Steel	N/A	N/A	N/A	N/A	N/A	N/A
6-014-0	Gland	1	Stainless Steel	AC0663	AC0663	AC0663	AC0663	AC0663	AC0663
6-014-0	Gland	1	ZA-73	AC0662	AC0662	AC0662	AC0662	AC0662	AC0662
6-908-0	Studs (Gland)	2	Steel	AC0581	AC0581	AC0581	AC0581	AC0581	AC0581
6-903-0	Nuts (Gland)	2	Steel	AC0501	AC0501	AC0501	AC0501	AC0501	AC0501
1-136-0	Slinger	1	Rubber	AC0544	AC0544	AC0544	AC0544	AC0544	AC0544
<b>MECHANICAL SEAL ONLY</b>									
6-400-0	Mechanical Seal		Buna/Carbon	AC0631	AC0631	AC0631	AC0631	AC0631	AC0631
6-400-0	Mechanical Seal		Buna/Carbon	AC3045	AC3045	AC3045	AC3045	AC3045	AC3045
6-400-0	Mechanical Seal		EP/Carbon	AC0634	AC0634	AC0634	AC0634	AC0634	AC0634
6-400-0	Mechanical Seal		EP/Carbon	AC3048	AC3048	AC3048	AC3048	AC3048	AC3048
6-154-0	Spacer Sleeve		Steel	AC0572	AC0572	AC0572	AC0572	AC0572	AC0572
<b>PACKING ONLY</b>									
6-924-0	Packing (5 req.)		Non-Asbestos	AC0941	AC0941	AC0941	AC0941	AC0941	AC0941
6-152-0	Packing Base Ring		Steel	AC0591	AC0591	AC0591	AC0591	AC0591	AC0591
6-013-0	Seal Cage (Optional)		Teflon	AC0802	AC0802	AC0802	AC0802	AC0802	AC0802
<b>OPTIONAL</b>									
4-002-0	Impeller For Wear Ring		Bronze	AC1355	AC1357	AC1358	AC1361	AC1362	AC1213
4-002-0	Impeller For Wear Ring		Cast Iron	AC1373	AC1375	AC1376	AC1379	AC1380	AC1239
2-003-5	Wear Ring (Casing)		Cast Iron	AC0773	AC0773	AC0776	AC0776	AC0776	AC0781
2-003-6	Wear Ring (Stuff Box)		Cast Iron	AC0776	AC0776	AC0776	AC0776	AC0776	AC0779
2-003-5	Wear Ring (Casing)		Bronze	AC0751	AC0753	AC0753	AC0756	AC0756	AC0761
2-003-6	Wear Ring (Stuff Box)		Bronze	AC0756	AC0756	AC0756	AC0756	AC0750	AC0759
6-952-0	By-Pass Piping *		Plastic/Bronze	AC0670	AC0670	AC0670	AC0670	AC0670	AC0671
6-952-0	By-Pass Piping *		Plastic/Steel	AC0673	AC0673	AC0673	AC0673	AC0673	AC0674

Factory Recommended Spare Parts

\* For liquid temperature below 160°F      \*\* 8 required without lugs, 4 required with lugs



## SERIES A-C 2000 PARTS LIST

CATALOG NO.	PART NAME	QTY.	MATERIAL	Part Number					
				1½x1½x9	2x1½x9	2½x2x9S	2½x2x9L	3x2x9	3x2½x9
<b>213JP-256JP Power Module No. 2</b>									
6-534-0	Adapter	1	Cast Iron	AC0335	AC0335	AC0335	AC0335	AC0335	AC0338
4-002-0	Impeller	1	Bronze	AC0414	AC0416	AC0418	AC0420	AC0420	AC0364
4-002-0	Impeller	1	Cast Iron	AC0415	AC0417	AC0419	AC0421	AC0421	AC0365
2-036-0	Stuff Box Cover	1	Cast Iron	AC0319	AC0319	AC0319	AC0319	AC0319	AC0289
4-908-0	Impeller Stud	1	Steel	AC0580	AC0580	AC0580	AC0580	AC0580	AC0583
4-023-0	Impeller Nut	1	Steel	AC0585	AC0585	AC0585	AC0585	AC0585	AC0584
4-909-0	Impeller Washer	1	Steel	AC0502	AC0502	AC0502	AC0502	AC0502	AC0503
4-911-0	Impeller Key	1	Steel	AC0521	AC0521	AC0521	AC0521	AC0521	AC0522
2-904-0	Bolt (Motor to Adapter)	4	Steel	DJ0113	DJ0113	DJ0113	DJ0113	DJ0113	DJ0113
6-009-0	Shaft Sleeve	1	Bronze	AC0613	AC0613	AC0613	AC0613	AC0613	AC0607
6-009-0	Shaft Sleeve	1	Stainless Steel	AC0612	AC0612	AC0612	AC0612	AC0612	AC0606
2-001-0	Casing	1	Cast Iron	AC0240	AC0243	AC0244	AC0244	AC0246	AC0252
6-914-0	O-Ring (Casing)	1	Rubber	AC0541	AC0541	AC0541	AC0541	AC0541	AC0541
2-904-0	Bolts (Casing) **		Steel	H52100	H52100	H52100	H52100	H52100	DJ0114
6-937-0	Clamping Lugs	8	Steel	AC0650	AC0650	AC0650	AC0650	AC0650	N/A
6-904-0	Lug Bolt	8	Steel	P45110	P45110	P45110	P45110	P45110	N/A
6-014-0	Gland	1	Stainless Steel	AC0663	AC0663	AC0663	AC0663	AC0663	AC0663
6-014-0	Gland	1	ZA-73	AC0662	AC0662	AC0662	AC0662	AC0662	AC0662
6-908-0	Studs (Gland)	2	Steel	AC0581	AC0581	AC0581	AC0581	AC0581	AC0581
6-903-0	Nuts (Gland)	2	Steel	AC0501	AC0501	AC0501	AC0501	AC0501	AC0501
1-136-0	Slinger	1	Rubber	AC0544	AC0544	AC0544	AC0544	AC0544	AC0544
<b>MECHANICAL SEAL ONLY</b>									
6-400-0	Mechanical Seal		Buna/Carbon	AC0631	AC0631	AC0631	AC0631	AC0631	AC0631
6-400-0	Mechanical Seal		Buna/Carbon	AC3045	AC3045	AC3045	AC3045	AC3045	AC3045
6-400-0	Mechanical Seal		EP/Carbon	AC0634	AC0634	AC0634	AC0634	AC0634	AC0634
6-400-0	Mechanical Seal		EP/Carbon	AC3048	AC3048	AC3048	AC3048	AC3048	AC3048
6-154-0	Spacer Sleeve		Steel	AC0572	AC0572	AC0572	AC0572	AC0572	AC0572
<b>PACKING ONLY</b>									
6-924-0	Packing (5 req.)		Non-Asbestos	AC0941	AC0941	AC0941	AC0941	AC0941	AC0941
6-152-0	Packing Base Ring		Steel	AC0591	AC0591	AC0591	AC0591	AC0591	AC0591
6-013-0	Seal Cage (Optional)		Teflon	AC0802	AC0802	AC0802	AC0802	AC0802	AC0802
<b>OPTIONAL</b>									
4-002-0	Impeller For Wear Ring		Bronze	AC1354	AC1356	AC1359	AC1360	AC1360	AC1211
4-002-0	Impeller For Wear Ring		Cast Iron	AC1372	AC1374	AC1377	AC1378	AC1378	AC1237
2-003-5	Wear Ring (Casing)		Cast Iron	AC0772	AC0772	AC0772	AC0772	AC0772	AC0777
2-003-6	Wear Ring (Stuff Box)		Cast Iron	AC0772	AC0772	AC0772	AC0772	AC0772	AC0779
2-003-5	Wear Ring (Casing)		Bronze	AC0750	AC0752	AC0752	AC0752	AC0752	AC0757
2-003-6	Wear Ring (Stuff Box)		Bronze	AC0752	AC0752	AC0752	AC0752	AC0752	AC0759
6-952-0	By-Pass Piping *		Plastic/Bronze	AC0670	AC0670	AC0670	AC0670	AC0670	AC0671
6-952-0	By-Pass Piping *		Plastic/Steel	AC0673	AC0673	AC0673	AC0673	AC0673	AC0674

Factory Recommended Spare Parts

\* For liquid temperature below 160°F

\*\* 8 required without lugs, 4 required with lugs

## SERIES A-C 2000 PARTS LIST

CATALOG NO.	PART NAME	QTY.	MATERIAL	Part Number						
				4x3x9	6x4x9	6x6x9	8x6x9	6x6x9½	8x6x9½	3x2x10
<b>213JP-256JP Power Module No. 2</b>										
6-534-0	Adapter	1	Cast Iron	AC0338	AC0338	AC0338	AC0338	AC0338	AC0338	AC0335
4-002-0	Impeller	1	Bronze	AC0366	AC0368	AC0370	AC0435	AC1000	AC0372	AC3008
4-002-0	Impeller	1	Cast Iron	AC0367	AC0369	AC0371	AC0467	AC0434	AC0373	AC3009
2-036-0	Stuff Box Cover	1	Cast Iron	AC0289	AC0294	AC0294	AC0294	AC0294	AC0294	AC0319
4-908-0	Impeller Stud	1	Steel	AC0583	AC0583	AC0583	AC0583	AC0583	AC0583	AC0580
4-023-0	Impeller Nut	1	Steel	AC0584	AC0584	AC0584	AC0584	AC0584	AC0584	AC0585
4-909-0	Impeller Washer	1	Steel	AC0503	AC0503	AC0503	AC0503	AC0503	AC0503	AC0502
4-911-0	Impeller Key	1	Steel	AC0522	AC0522	AC0522	AC0522	AC0522	AC0522	AC0521
2-904-0	Bolt (Motor to Adapter)	4	Steel	DJ0113	DJ0113	DJ0113	DJ0113	DJ0113	DJ0113	DJ0113
6-009-0	Shaft Sleeve	1	Bronze	AC0607	AC0607	AC0607	AC0607	AC0607	AC0607	AC0613
6-009-0	Shaft Sleeve	1	Stainless Steel	AC0606	AC0606	AC0606	AC0606	AC0606	AC0606	AC0612
2-001-0	Casing	1	Cast Iron	AC0253	AC0255	AC0256	AC0257	AC0256	AC0257	AC3001
6-914-0	O-Ring (Casing)	1	Rubber	AC0541	AC0541	AC0541	AC0541	AC0541	AC0541	AC0541
2-904-0	Bolts (Casing)**		Steel	DJ0114	DJ0114	DJ0114	DJ0113	DJ0114	DJ0113	H52100
6-937-0	Clamping Lugs	8	Steel	N/A	N/A	N/A	N/A	N/A	N/A	AC0650
6-904-0	Lug Bolt	8	Steel	N/A	N/A	N/A	N/A	N/A	N/A	P45110
6-014-0	Gland	1	Stainless Steel	AC0663	AC0663	AC0663	AC0663	AC0663	AC0663	AC0663
6-014-0	Gland	1	ZA-73	AC0662	AC0662	AC0662	AC0662	AC0662	AC0662	AC0662
6-908-0	Studs (Gland)	2	Steel	AC0581	AC0581	AC0581	AC0581	AC0581	AC0581	AC0581
6-903-0	Nuts (Gland)	2	Steel	AC0501	AC0501	AC0501	AC0501	AC0501	AC0501	AC0501
1-136-0	Slinger	1	Rubber	AC0544	AC0544	AC0544	AC0544	AC0544	AC0544	AC0544
<b>MECHANICAL SEAL ONLY</b>										
6-400-0	Mechanical Seal		Buna/Carbon	AC0631	AC0631	AC0631	AC0631	AC0631	AC0631	AC0631
6-400-0	Mechanical Seal		Buna/Carbon	AC3045	AC3045	AC3045	AC3045	AC3045	AC3045	AC3045
6-400-0	Mechanical Seal		EP/Carbon	AC0634	AC0634	AC0634	AC0634	AC0634	AC0634	AC0634
6-400-0	Mechanical Seal		EP/Carbon	AC3048	AC3048	AC3048	AC3048	AC3048	AC3048	AC3048
6-154-0	Spacer Sleeve		Steel	AC0572	AC0572	AC0572	AC0572	AC0572	AC0572	AC0572
<b>PACKING ONLY</b>										
6-924-0	Packing (5 req.)		Non-Asbestos	AC0941	AC0941	AC0941	AC0941	AC0941	AC0941	AC0941
6-152-0	Packing Base Ring		Steel	AC0591	AC0591	AC0591	AC0591	AC0591	AC0591	AC0591
6-013-0	Seal Cage (Optional)		Teflon	AC0802	AC0802	AC0802	AC0802	AC0802	AC0802	AC0802
<b>OPTIONAL</b>										
4-002-0	Impeller For Wear Ring		Bronze	AC1214	AC1218	AC1387	AC0468	AC1255	AC1252	AC3010
4-002-0	Impeller For Wear Ring		Cast Iron	AC1240	AC1244	N/A	AC0469	AC1254	AC1253	AC3011
2-003-5	Wear Ring (Casing)		Cast Iron	AC0781	AC0784	AC0785	AC0788	AC0785	AC0788	AC3003
2-003-6	Wear Ring (Stuff Box)		Cast Iron	AC0779	AC0787	AC0787	AC0787	AC0787	AC0787	AC0722
2-003-5	Wear Ring (Casing)		Bronze	AC0761	AC0764	AC0765	AC0768	AC0765	AC0768	AC3002
2-003-6	Wear Ring (Stuff Box)		Bronze	AC0759	AC0767	AC0767	AC0767	AC0767	AC0767	AC0752
6-952-0	By-Pass Piping *		Plastic/Bronze	AC0671	AC0671	AC0671	AC0671	AC0671	AC0671	AC0670
6-952-0	By-Pass Piping *		Plastic/Steel	AC0674	AC0674	AC0674	AC0674	AC0674	AC0674	AC6743

Factory Recommended Spare Parts

\* For liquid temperature below 160°F      \*\* 8 required without lugs, 4 required with lugs

## SERIES A-C 2000 PARTS LIST

CATALOG NO.	PART NAME	QTY.	MATERIAL	Part Number					
				3x2x11	3x2½x11	4x3x11	4x4x11	6x6x11	8x6x11
<b>213JP-256JP Power Module No. 2</b>									
6-534-0	Adapter	1	Cast Iron	AC0335	AC0335	AC0338	AC0338	AC0338	AC0338
4-002-0	Impeller	1	Bronze	AC0422	AC0424	AC0374	AC0376	AC0378	AC0380
4-002-0	Impeller	1	Cast Iron	AC0423	AC0425	AC0375	AC0377	AC0379	AC0381
2-036-0	Stuff Box Cover	1	Cast Iron	AC0323	AC0323	AC0298	AC0298	AC0302	AC0302
4-908-0	Impeller Stud	1	Steel	AC0580	AC0580	AC0583	AC0583	AC0583	AC0583
4-023-0	Impeller Nut	1	Steel	AC0585	AC0585	AC0584	AC0584	AC0584	AC0584
4-909-0	Impeller Washer	1	Steel	AC0502	AC0502	AC0503	AC0503	AC0503	AC0503
4-911-0	Impeller Key	1	Steel	AC0521	AC0521	AC0522	AC0522	AC0522	AC0522
2-904-0	Bolt (Motor to Adapter)	4	Steel	DJ0113	DJ0113	DJ0113	DJ0113	DJ0113	DJ0113
6-009-0	Shaft Sleeve	1	Bronze	AC0613	AC0613	AC0607	AC0607	AC0607	AC0607
6-009-0	Shaft Sleeve	1	Stainless Steel	AC0612	AC0612	AC0606	AC0606	AC0606	AC0606
2-001-0	Casing	1	Cast Iron	AC0249	AC0250	AC0258	AC0259	AC0260	AC0261
6-914-0	O-Ring (Casing)	1	Rubber	AC0542	AC0542	AC0543	AC0543	AC0543	AC0543
2-904-0	Bolts (Casing) **		Steel	H52100	H52100	DJ0113	DJ0113	DJ0113	DJ0113
6-937-0	Clamping Lugs	8	Steel	AC0650	AC0650	AC0651	AC0651	AC0651	AC0651
6-904-0	Lug Bolt	8	Steel	P45110	P45110	J91731	J91731 qty. 7 <sup>b</sup>	J91731	J91731
6-014-0	Gland	1	Stainless Steel	AC0663	AC0663	AC0663	AC0663	AC0663	AC0663
6-014-0	Gland	1	ZA-73	AC0662	AC0662	AC0662	AC0662	AC0662	AC0662
6-908-0	Studs (Gland)	2	Steel	AC0581	AC0581	AC0581	AC0581	AC0581	AC0581
6-903-0	Nuts (Gland)	2	Steel	AC0501	AC0501	AC0501	AC0501	AC0501	AC0501
1-136-0	Slinger	1	Rubber	AC0544	AC0544	AC0544	AC0544	AC0544	AC0544
<b>MECHANICAL SEAL ONLY</b>									
6-400-0	Mechanical Seal		Buna/Carbon	AC0631	AC0631	AC0631	AC0631	AC0631	AC0631
6-400-0	Mechanical Seal		Buna/Carbon	AC3045	AC3045	AC3045	AC3045	AC3045	AC3045
6-400-0	Mechanical Seal		EP/Carbon	AC0634	AC0634	AC0634	AC0634	AC0634	AC0634
6-400-0	Mechanical Seal		EP/Carbon	AC3048	AC3048	AC3048	AC3048	AC3048	AC3048
6-154-0	Spacer Sleeve		Steel	AC0572	AC0572	AC0572	AC0572	AC0572	AC0572
<b>PACKING ONLY</b>									
6-924-0	Packing (5 req.)		Non-Asbestos	AC0941	AC0941	AC0941	AC0941	AC0941	AC0941
6-152-0	Packing Base Ring		Steel	AC0591	AC0591	AC0591	AC0591	AC0591	AC0591
6-013-0	Seal Cage (Optional)		Teflon	AC0802	AC0802	AC0802	AC0802	AC0802	AC0802
<b>OPTIONAL</b>									
4-002-0	Impeller For Wear Ring		Bronze	AC1363	AC1364	AC1215	AC1217	AC1220	AC1223
4-002-0	Impeller For Wear Ring		Cast Iron	AC1381	AC1382	AC1241	AC1243	AC1246	AC1249
2-003-5	Wear Ring (Casing)		Cast Iron	AC0774	AC0776	AC0778	AC0780	AC0783	AC0786
2-003-6	Wear Ring (Stuff Box)		Cast Iron	AC0775	AC0775	AC0779	AC0779	AC0783	AC0783
2-003-5	Wear Ring (Casing)		Bronze	AC0754	AC0756	AC0758	AC0760	AC0763	AC0766
2-003-6	Wear Ring (Stuff Box)		Bronze	AC0755	AC0755	AC0759	AC0759	AC0763	AC0763
6-952-0	By-Pass Piping *		Plastic/Bronze	AC0670	AC0670	AC0671	AC0671	AC0671	AC0671
6-952-0	By-Pass Piping *		Plastic/Steel	AC0673	AC0673	AC0674	AC0674	AC0674	AC0674

Factory Recommended Spare Parts

\* For liquid temperature below 160°F      \*\* 8 required without lugs, 4 required with lugs

① Also requires quantity 1 J92288

## SERIES A-C 2000 PARTS LIST

CATALOG NO.	PART NAME	QTY.	MATERIAL	Part Number				
				3x2½x13	4x3x13	6x4x13	6x6x13S	6x6x13L
<b>213JP-256JP Power Module No. 2</b>								
6-534-0	Adapter	1	Cast Iron	AC0338	AC0338	AC0338	AC0338	AC0338
4-002-0	Impeller	1	Bronze	AC0382	AC0384	AC0386	AC0388	AC0390
4-002-0	Impeller	1	Cast Iron	AC0383	AC0385	AC0387	AC0389	AC0391
2-036-0	Stuff Box Cover	1	Cast Iron	AC0302	AC0302	AC0302	AC0302	AC0302
4-908-0	Impeller Stud	1	Steel	AC0583	AC0583	AC0583	AC0583	AC0583
4-023-0	Impeller Nut	1	Steel	AC0584	AC0584	AC0584	AC0584	AC0584
4-909-0	Impeller Washer	1	Steel	AC0503	AC0503	AC0503	AC0503	AC0503
4-911-0	Impeller Key	1	Steel	AC0522	AC0522	AC0522	AC0522	AC0522
2-904-0	Bolt (Motor to Adapter)	4	Steel	DJ0113	DJ0113	DJ0113	DJ0113	DJ0113
6-009-0	Shaft Sleeve	1	Bronze	AC0607	AC0607	AC0607	AC0607	AC0607
6-009-0	Shaft Sleeve	1	Stainless Steel	AC0606	AC0606	AC0606	AC0606	AC0606
2-001-0	Casing	1	Cast Iron	AC0262	AC0264	AC0265	AC0268	AC0268
6-914-0	O-Ring (Casing)	1	Rubber	AC0543	AC0543	AC0543	AC0543	AC0543
2-904-0	Bolts (Casing) **		Steel	DJ0113	DJ0113	DJ0113	DJ0113	DJ0113
6-937-0	Clamping Lugs	8	Steel	AC0651	AC0651	AC0651	AC0651	AC0651
6-904-0	Lug Bolt	8	Steel	J91731	J91731	J91731	J91731	J91731
6-014-0	Gland	1	Stainless Steel	AC0663	AC0663	AC0663	AC0663	AC0663
6-014-0	Gland	1	ZA-73	AC0662	AC0662	AC0662	AC0662	AC0662
6-908-0	Studs (Gland)	2	Steel	AC0581	AC0581	AC0581	AC0581	AC0581
6-903-0	Nuts (Gland)	2	Steel	AC0501	AC0501	AC0501	AC0501	AC0501
1-136-0	Slinger	1	Rubber	AC0544	AC0544	AC0544	AC0544	AC0544
<b>MECHANICAL SEAL ONLY</b>								
6-400-0	Mechanical Seal		Buna/Carbon	AC0631	AC0631	AC0631	AC0631	AC0631
6-400-0	Mechanical Seal		Buna/Carbon	AC3045	AC3045	AC3045	AC3045	AC3045
6-400-0	Mechanical Seal		EP/Carbon	AC0634	AC0634	AC0634	AC0634	AC0634
6-400-0	Mechanical Seal		EP/Carbon	AC3048	AC3048	AC3048	AC3048	AC3048
6-154-0	Spacer Sleeve		Steel	AC0572	AC0572	AC0572	AC0572	AC0572
<b>PACKING ONLY</b>								
6-924-0	Packing (5 req.)		Non-Asbestos	AC0941	AC0941	AC0941	AC0941	AC0941
6-152-0	Packing Base Ring		Steel	AC0591	AC0591	AC0591	AC0591	AC0591
6-013-0	Seal Cage (Optional)		Teflon	AC0802	AC0802	AC0802	AC0802	AC0802
<b>OPTIONAL</b>								
4-002-0	Impeller For Wear Ring		Bronze	AC1212	AC1216	AC1219	AC1221	AC1222
4-002-0	Impeller For Wear Ring		Cast Iron	AC1238	AC1242	AC1245	AC1247	AC1248
2-003-5	Wear Ring (Casing)		Cast Iron	AC0782	AC0782	AC0782	AC0786	AC0786
2-003-6	Wear Ring (Stuff Box)		Cast Iron	AC0783	AC0783	AC0783	AC0783	AC0783
2-003-5	Wear Ring (Casing)		Bronze	AC0762	AC0762	AC0762	AC0766	AC0766
2-003-6	Wear Ring (Stuff Box)		Bronze	AC0763	AC0763	AC0763	AC0763	AC0763
6-952-0	By-Pass Piping *		Plastic/Bronze	AC0671	AC0671	AC0671	AC0671	AC0671
6-952-0	By-Pass Piping *		Plastic/Steel	AC0674	AC0674	AC0674	AC0674	AC0674

Factory Recommended Spare Parts

\* For liquid temperature below 160°F      \*\* 8 required without lugs, 4 required with lugs

## SERIES A-C 2000 PARTS LIST

CATALOG NO.	PART NAME	QTY.	MATERIAL	Part Number						
				2½x2x6½L	3x2x6½L	4x3x6½	2x1½x9	2½x2x9S	2½x2x9L	3x2x9
<b>284JP-326JP Power Module No. 4</b>										
6-534-0	Adapter	1	Cast Iron	AC0336	AC0336	AC0339	AC0336	AC0336	AC0336	AC0336
4-002-0	Impeller	1	Bronze	AC0412	AC0362	AC0416	AC0435	AC0418	AC0420	AC0420
4-002-0	Impeller	1	Cast Iron	AC0409	AC0413	AC0363	AC0417	AC0419	AC0421	AC0421
2-036-0	Stuff Box Cover	1	Cast Iron	AC0315	AC0315	AC0289	AC0319	AC0319	AC0319	AC0319
4-908-0	Impeller Stud	1	Steel	AC0580	AC0580	AC0583	AC0580	AC0580	AC0580	AC0580
4-023-0	Impeller Nut	1	Steel	AC0585	AC0585	AC0584	AC0585	AC0585	AC0585	AC0585
4-909-0	Impeller Washer	1	Steel	AC0502	AC0502	AC0503	AC0502	AC0502	AC0502	AC0502
4-911-0	Impeller Key	1	Steel	AC0521	AC0521	AC0522	AC0521	AC0521	AC0521	AC0521
2-904-0	Bolt (Motor to Adapter)	4	Steel	P19490	P19490	P19490	P19490	P19490	P19490	P19490
6-009-0	Shaft Sleeve	1	Bronze	AC0613	AC0613	AC0607	AC0613	AC0613	AC0613	AC0613
6-009-0	Shaft Sleeve	1	Stainless Steel	AC0612	AC0612	AC0606	AC0612	AC0612	AC0612	AC0612
2-001-0	Casing	1	Cast Iron	AC0238	AC0239	AC0251	AC0243	AC0244	AC0244	AC0246
6-914-0	O-Ring (Casing)	1	Rubber	AC0540	AC0540	AC0541	AC0541	AC0541	AC0541	AC0541
2-904-0	Bolts (Casing)**		Steel	H52100	H52100	DJ0114	H52100	H52100	H52100	H52100
6-937-0	Clamping Lugs	8	Steel	N/A	N/A	N/A	AC0650	AC0650	AC0650	AC0650
6-904-0	Lug Bolt	8	Steel	N/A	N/A	N/A	P45110	P45110	P45110	P45110
6-014-0	Gland	1	Stainless Steel	AC0663	AC0663	AC0663	AC0663	AC0663	AC0663	AC0663
6-014-0	Gland	1	ZA-73	AC0662	AC0662	AC0662	AC0662	AC0662	AC0662	AC0662
6-908-0	Studs (Gland)	2	Steel	AC0581	AC0581	AC0581	AC0581	AC0581	AC0581	AC0581
6-903-0	Nuts (Gland)	2	Steel	AC0501	AC0501	AC0501	AC0501	AC0501	AC0501	AC0501
1-136-0	Slinger	1	Rubber	AC0544	AC0544	AC0544	AC0544	AC0544	AC0544	AC0544
<b>MECHANICAL SEAL ONLY</b>										
6-400-0	Mechanical Seal		Buna/Carbon	AC0631	AC0631	AC0631	AC0631	AC0631	AC0631	AC0631
6-400-0	Mechanical Seal		Buna/Carbon	AC3045	AC3045	AC3045	AC3045	AC3045	AC3045	AC3045
6-400-0	Mechanical Seal		EP/Carbon	AC0634	AC0634	AC0634	AC0634	AC0634	AC0634	AC0634
6-400-0	Mechanical Seal		EP/Carbon	AC3048	AC3048	AC3048	AC3048	AC3048	AC3048	AC3048
6-154-0	Spacer Sleeve		Steel	AC0572	AC0572	AC0572	AC0572	AC0572	AC0572	AC0572
<b>PACKING ONLY</b>										
6-924-0	Packing (5 req.)		Non-Asbestos	AC0941	AC0941	AC0941	AC0941	AC0941	AC0941	AC0941
6-152-0	Packing Base Ring		Steel	AC0591	AC0591	AC0591	AC0591	AC0591	AC0591	AC0591
6-013-0	Seal Cage (Optional)		Teflon	AC0802	AC0802	AC0802	AC0802	AC0802	AC0802	AC0802
<b>OPTIONAL</b>										
4-002-0	Impeller For Wear Ring		Bronze	AC1358	AC1362	AC1213	AC1356	AC1359	AC1360	AC1360
4-002-0	Impeller For Wear Ring		Cast Iron	AC1376	AC1380	AC1239	AC1374	AC1377	AC1378	AC1378
2-003-5	Wear Ring (Casing)		Cast Iron	AC0773	AC0776	AC0781	AC0772	AC0772	AC0772	AC0772
2-003-6	Wear Ring (Stuff Box)		Cast Iron	AC0776	AC0776	AC0779	AC0772	AC0772	AC0772	AC0772
2-003-5	Wear Ring (Casing)		Bronze	AC0753	AC0756	AC0761	AC0752	AC0752	AC0752	AC0752
2-003-6	Wear Ring (Stuff Box)		Bronze	AC0756	AC0756	AC0759	AC0752	AC0752	AC0752	AC0752
6-952-0	By-Pass Piping *		Plastic/Bronze	AC0670	AC0670	AC0671	AC0670	AC0670	AC0670	AC0670
6-952-0	By-Pass Piping *		Plastic/Steel	AC0673	AC0673	AC0674	AC0673	AC0673	AC0673	AC0673

Factory Recommended Spare Parts

\* For liquid temperature below 160°F

\*\* 8 required without lugs, 4 required with lugs

## SERIES A-C 2000 PARTS LIST

CATALOG NO.	PART NAME	QTY.	MATERIAL	Part Number						
				3x2½x9	4x3x9	6x6x9	8x6x9	6x6x9½	8x6x9½	3x2x10
<b>284JP-326JP Power Module No. 4</b>										
6-534-0	Adapter	1	Cast Iron	AC0339	AC0339	AC0339	AC0339	AC0339	AC0339	AC0336
4-002-0	Impeller	1	Bronze	AC0364	AC0366	AC0370	AC0435	AC1000	AC0372	AC3008
4-002-0	Impeller	1	Cast Iron	AC0365	AC0367	AC0371	AC0467	AC0434	AC0373	AC3009
2-036-0	Stuff Box Cover	1	Cast Iron	AC0289	AC0289	AC0294	AC0294	AC0294	AC0294	AC0319
4-908-0	Impeller Stud	1	Steel	AC0583	AC0583	AC0583	AC0583	AC0583	AC0583	AC0580
4-023-0	Impeller Nut	1	Steel	AC0584	AC0584	AC0584	AC0584	AC0584	AC0584	AC0585
4-909-0	Impeller Washer	1	Steel	AC0503	AC0503	AC0503	AC0503	AC0503	AC0503	AC0502
4-911-0	Impeller Key	1	Steel	AC0522	AC0522	AC0522	AC0522	AC0522	AC0522	AC0521
2-904-0	Bolt (Motor to Adapter)	4	Steel	P19490	P19490	P19490	P19490	P19490	P19490	P19490
6-009-0	Shaft Sleeve	1	Bronze	AC0607	AC0607	AC0607	AC0607	AC0607	AC0607	AC0613
6-009-0	Shaft Sleeve	1	Stainless Steel	AC0606	AC0606	AC0606	AC0606	AC0606	AC0606	AC0612
2-001-0	Casing	1	Cast Iron	AC0252	AC0253	AC0256	AC0257	AC0256	AC0257	AC3001
6-914-0	O-Ring (Casing)	1	Rubber	AC0541	AC0541	AC0541	AC0541	AC0541	AC0541	AC0541
2-904-0	Bolts (Casing)**		Steel	DJ0114	DJ0114	DJ0114	DJ0113	DJ0114	DJ0113	H52100
6-937-0	Clamping Lugs	8	Steel	N/A	N/A	N/A	N/A	N/A	N/A	AC0650
6-904-0	Lug Bolt	8	Steel	N/A	N/A	N/A	N/A	N/A	N/A	P45110
6-014-0	Gland	1	Stainless Steel	AC0663	AC0663	AC0663	AC0663	AC0663	AC0663	AC0663
6-014-0	Gland	1	ZA-73	AC0662	AC0662	AC0662	AC0662	AC0662	AC0662	AC0662
6-908-0	Studs (Gland)	2	Steel	AC0581	AC0581	AC0581	AC0581	AC0581	AC0581	AC0581
6-903-0	Nuts (Gland)	2	Steel	AC0501	AC0501	AC0501	AC0501	AC0501	AC0501	AC0501
1-136-0	Slinger	1	Rubber	AC0544	AC0544	AC0544	AC0544	AC0544	AC0544	AC0544
<b>MECHANICAL SEAL ONLY</b>										
6-400-0	Mechanical Seal		Buna/Carbon	AC0631	AC0631	AC0631	AC0631	AC0631	AC0631	AC0631
6-400-0	Mechanical Seal		Buna/Carbon	AC3045	AC3045	AC3045	AC3045	AC3045	AC3045	AC3045
6-400-0	Mechanical Seal		EP/Carbon	AC0634	AC0634	AC0634	AC0634	AC0634	AC0634	AC0634
6-400-0	Mechanical Seal		EP/Carbon	AC3048	AC3048	AC3048	AC3048	AC3048	AC3048	AC3048
6-154-0	Spacer Sleeve		Steel	AC0572	AC0572	AC0572	AC0572	AC0572	AC0572	AC0572
<b>PACKING ONLY</b>										
6-924-0	Packing (5 req.)		Non-Asbestos	AC0941	AC0941	AC0941	AC0941	AC0941	AC0941	AC0941
6-152-0	Packing Base Ring		Steel	AC0591	AC0591	AC0591	AC0591	AC0591	AC0591	AC0591
6-013-0	Seal Cage (Optional)		Teflon	AC0802	AC0802	AC0802	AC0802	AC0802	AC0802	AC0802
<b>OPTIONAL</b>										
4-002-0	Impeller For Wear Ring		Bronze	AC1211	AC1214	AC1387	AC0468	AC1255	AC1252	AC3010
4-002-0	Impeller For Wear Ring		Cast Iron	AC1237	AC1240	N/A	AC0469	AC1254	AC1253	AC3011
2-003-5	Wear Ring (Casing)		Cast Iron	AC0777	AC0781	AC0785	AC0788	AC0785	AC0788	AC3003
2-003-6	Wear Ring (Stuff Box)		Cast Iron	AC0779	AC0779	AC0787	AC0787	AC0787	AC0787	AC0772
2-003-5	Wear Ring (Casing)		Bronze	AC0757	AC0761	AC0765	AC0768	AC0765	AC0768	AC3002
2-003-6	Wear Ring (Stuff Box)		Bronze	AC0759	AC0759	AC0767	AC0767	AC0767	AC0767	AC0752
6-952-0	By-Pass Piping *		Plastic/Bronze	AC0671	AC0671	AC0671	AC0671	AC0671	AC0671	AC0670
6-952-0	By-Pass Piping *		Plastic/Steel	AC0674	AC0674	AC0674	AC0674	AC0674	AC0674	AC0673

Factory Recommended Spare Parts

\* For liquid temperature below 160°F      \*\* 8 required without lugs, 4 required with lugs

## SERIES A-C 2000 PARTS LIST

CATALOG NO.	PART NAME	QTY.	MATERIAL	Part Number							
				4x4x11	6x6x11	8x6x11	3x2½x13	4x3x13	6x4x13	6x6x13S	6x6x13L
<b>284JP-326JP Power Module No. 4</b>											
6-534-0	Adapter	1	Cast Iron	AC0339	AC0339	AC0339	AC0339	AC0339	AC0339	AC0339	AC0339
4-002-0	Impeller	1	Bronze	AC0376	AC0378	AC0380	AC0382	AC0384	AC0386	AC0388	AC0390
4-002-0	Impeller	1	Cast Iron	AC0377	AC0379	AC0381	AC0383	AC0385	AC0387	AC0389	AC0391
2-036-0	Stuff Box Cover	1	Cast Iron	AC0298	AC0302	AC0302	AC0302	AC0302	AC0302	AC0302	AC0302
4-908-0	Impeller Stud	1	Steel	AC0583	AC0583	AC0583	AC0583	AC0583	AC0583	AC0583	AC0583
4-023-0	Impeller Nut	1	Steel	AC0584	AC0584	AC0584	AC0584	AC0584	AC0584	AC0584	AC0584
4-909-0	Impeller Washer	1	Steel	AC0503	AC0503	AC0503	AC0503	AC0503	AC0503	AC0503	AC0503
4-911-0	Impeller Key	1	Steel	AC0522	AC0522	AC0522	AC0522	AC0522	AC0522	AC0522	AC0522
2-904-0	Bolt (Motor to Adapter)	4	Steel	P19490	P19490	P19490	P19490	P19490	P19490	P19490	P19490
6-009-0	Shaft Sleeve	1	Bronze	AC0607	AC0607	AC0607	AC0607	AC0607	AC0607	AC0607	AC0607
6-009-0	Shaft Sleeve	1	Stainless Steel	AC0606	AC0606	AC0606	AC0606	AC0606	AC0606	AC0606	AC0606
2-001-0	Casing	1	Cast Iron	AC0259	AC0260	AC0261	AC0262	AC0264	AC0265	AC0268	AC0268
6-914-0	O-Ring (Casing)	1	Rubber	AC0543	AC0543	AC0543	AC0543	AC0543	AC0543	AC0543	AC0543
2-904-0	Bolts (Casing)**		Steel	DJ0114	DJ0114	DJ0113	DJ0113	DJ0113	DJ0113	DJ0113	DJ0113
6-937-0	Clamping Lugs	8	Steel	AC0651	AC0651	AC0651	AC0651	AC0651	AC0651	AC0651	AC0651
6-904-0	Lug Bolt	8	Steel	J91731 qty. 7 <sup>1</sup>	J91731	J91731	J91731	J91731	J91731	J91731	J91731
6-014-0	Gland	1	Stainless Steel	AC0663	AC0663	AC0663	AC0663	AC0663	AC0663	AC0663	AC0663
6-014-0	Gland	1	ZA-73	AC0662	AC0662	AC0662	AC0662	AC0662	AC0662	AC0662	AC0662
6-908-0	Studs (Gland)	2	Steel	AC0581	AC0581	AC0581	AC0581	AC0581	AC0581	AC0581	AC0581
6-903-0	Nuts (Gland)	2	Steel	AC0501	AC0501	AC0501	AC0501	AC0501	AC0501	AC0501	AC0501
1-136-0	Slinger	1	Rubber	AC0544	AC0544	AC0544	AC0544	AC0544	AC0544	AC0544	AC0544
<b>MECHANICAL SEAL ONLY</b>											
6-400-0	Mechanical Seal		Buna/Carbon	AC0631	AC0631	AC0631	AC0631	AC0631	AC0631	AC0631	AC0631
6-400-0	Mechanical Seal		Buna/Carbon	AC3045	AC3045	AC3045	AC3045	AC3045	AC3045	AC3045	AC3045
6-400-0	Mechanical Seal		EP/Carbon	AC0634	AC0634	AC0634	AC0634	AC0634	AC0634	AC0634	AC0634
6-400-0	Mechanical Seal		EP/Carbon	AC3048	AC3048	AC3048	AC3048	AC3048	AC3048	AC3048	AC3048
6-154-0	Spacer Sleeve		Steel	AC0572	AC0572	AC0572	AC0572	AC0572	AC0572	AC0572	AC0572
<b>PACKING ONLY</b>											
6-924-0	Packing (5 req.)		Non-Asbestos	AC0941	AC0941	AC0941	AC0941	AC0941	AC0941	AC0941	AC0941
6-152-0	Packing Base Ring		Steel	AC0591	AC0591	AC0591	AC0591	AC0591	AC0591	AC0591	AC0591
6-013-0	Seal Cage (Optional)		Teflon	AC0802	AC0802	AC0802	AC0802	AC0802	AC0802	AC0802	AC0802
<b>OPTIONAL</b>											
4-002-0	Impeller For Wear Ring		Bronze	AC1217	AC1220	AC1223	AC1212	AC1216	AC1219	AC1221	AC1222
4-002-0	Impeller For Wear Ring		Cast Iron	AC1243	AC1246	AC1249	AC1238	AC1242	AC1245	AC1247	AC1248
2-003-5	Wear Ring (Casing)		Cast Iron	AC0780	AC0783	AC0786	AC0782	AC0782	AC0782	AC0786	AC0786
2-003-6	Wear Ring (Stuff Box)		Cast Iron	AC0779	AC0783	AC0783	AC0783	AC0783	AC0783	AC0783	AC0783
2-003-5	Wear Ring (Casing)		Bronze	AC0760	AC0763	AC0766	AC0762	AC0762	AC0762	AC0766	AC0766
2-003-6	Wear Ring (Stuff Box)		Bronze	AC0759	AC0763	AC0763	AC0763	AC0763	AC0763	AC0763	AC0763
6-952-0	By-Pass Piping *		Plastic/Bronze	AC0671	AC0671	AC0671	AC0671	AC0671	AC0671	AC0671	AC0671
6-952-0	By-Pass Piping *		Plastic/Steel	AC0674	AC0674	AC0674	AC0674	AC0674	AC0674	AC0674	AC0674

Factory Recommended Spare Parts

\* For liquid temperature below 160°F      \*\* 8 required without lugs, 4 required with lugs

① Also requires quantity 1 J92288

CATALOG NO.	PART NAME	QTY.	MATERIAL	Part Number				
				3x2½x9	4x3x9	6x6x13S	6x6x13L	8x6x13
<b>364JP-365JP Power Module No. 8</b>								
6-534-0	Adapter	1	Cast Iron	AC0339	AC0339	AC0339	AC0339	AC0945
4-002-0	Impeller	1	Bronze	AC0426	AC0428	AC0430	AC0432	AC0392
4-002-0	Impeller	1	Cast Iron	AC0427	AC0429	AC0431	AC0433	AC0393
2-036-0	Stuff Box Cover	1	Cast Iron	AC0331	AC0331	AC1281	AC1281	AC1282
4-908-0	Impeller Stud	1	Steel	AC0583	AC0583	AC0583	AC0583	AC3020
4-023-0	Impeller Nut	1	Steel	AC0584	AC0584	AC0584	AC0584	N/A
4-909-0	Impeller Washer	1	Steel	AC0503	AC0503	AC0503	AC0503	AC3052
4-911-0	Impeller Key	1	Steel	AC0524	AC0524	AC0524	AC0524	AC0524
2-904-0	Bolt (Motor to Adapter)	8	Steel	P19490	P19490	P19490	P19490	DJ0134
6-009-0	Shaft Sleeve	1	Bronze	AC0601	AC0601	AC0601	AC0601	AC0601
6-009-0	Shaft Sleeve	1	Stainless Steel	AC0600	AC0600	AC0600	AC0600	AC0600
2-001-0	Casing	1	Cast Iron	AC0252	AC0253	AC0268	AC0268	AC0271
6-914-0	O-Ring (Casing)	1	Rubber	AC0541	AC0541	AC0543	AC0543	AC0543
2-904-0	Bolts (Casing)**		Steel	DJ0114	DJ0114	DJ0113	DJ0113	P13810
6-937-0	Clamping Lugs	8	Steel	N/A	N/A	AC0651	AC0651	N/A
6-904-0	Lug Bolt	8	Steel	N/A	N/A	J91731	J91731	N/A
6-014-0	Gland	1	Stainless Steel	N/A	N/A	N/A	N/A	N/A
6-014-0	Gland	1	ZA-73	AC0664	AC0664	AC0664	AC0664	AC3053
6-908-0	Studs (Gland)	2	Steel	AC0581	AC0581	AC0581	AC0581	AC0581
6-903-0	Nuts (Gland)	2	Steel	AC0501	AC0501	AC0501	AC0501	AC0501
1-136-0	Slinger	1	Rubber	AC0545	AC0545	AC0545	AC0545	AC0545
<b>MECHANICAL SEAL ONLY</b>								
6-400-0	Mechanical Seal		Buna/Carbon	AC0632	AC0632	AC0632	AC0632	AC0632
6-400-0	Mechanical Seal		Buna/Carbon	AC3046	AC3046	AC3046	AC3046	AC3046
6-400-0	Mechanical Seal		EP/Carbon	AC0635	AC0635	AC0635	AC0635	AC0635
6-400-0	Mechanical Seal		EP/Carbon	AC3049	AC3049	AC3049	AC3049	AC3049
6-154-0	Spacer Sleeve		Steel	AC0573	AC0573	AC0573	AC0573	AC0573
<b>PACKING ONLY</b>								
6-924-0	Packing (5 req.)		Non-Asbestos	AC0942	AC0942	AC0942	AC0942	AC0942
6-152-0	Packing Base Ring		Steel	AC0592	AC0592	AC0592	AC0592	AC0592
6-013-0	Seal Cage (Optional)		Teflon	AC0803	AC0803	AC0803	AC0803	AC0803
<b>OPTIONAL</b>								
4-002-0	Impeller For Wear Ring		Bronze	AC1365	AC1366	AC1367	AC1368	AC1224
4-002-0	Impeller For Wear Ring		Cast Iron	AC1383	AC1384	AC1385	AC1386	AC1250
2-003-5	Wear Ring (Casing)		Cast Iron	AC0777	AC0781	AC0786	AC0786	AC0789
2-003-6	Wear Ring (Stuff Box)		Cast Iron	AC0779	AC0779	AC0783	AC0783	AC0789
2-003-5	Wear Ring (Casing)		Bronze	AC0757	AC0761	AC0766	AC0766	AC0769
2-003-6	Wear Ring (Stuff Box)		Bronze	AC0759	AC0759	AC0763	AC0763	AC0769
6-952-0	By-Pass Piping *		Plastic/Bronze	AC0671	AC0671	AC0671	AC0671	AC0672
6-952-0	By-Pass Piping *		Plastic/Steel	AC0674	AC0674	AC0674	AC0674	AC0675

Factory Recommended Spare Parts

\* For liquid temperature below 160°F      \*\* 8 required without lugs, 4 required with lugs



Xylem Inc.  
2881 East Bayard Street Ext., Suite A  
Seneca Falls, NY 13148  
Phone: (800) 453-6777  
Fax: (888) 322-5877  
[www.gouldswatertechnology.com](http://www.gouldswatertechnology.com)

Goulds is a registered trademark of Goulds Pumps, Inc. and is used under license.  
© 2014 Xylem Inc. RAC2000CC R1 June 2014