

Models 3656 / 3756

INSTALLATION, OPERATION AND MAINTENANCE INSTRUCTIONS



OWNER'S INFORMATION

Please fill in information and give this booklet to homeowner. Warranty information is on page 14.

Model Number: _____

Serial Number: _____

Dealer: _____

Dealer's Phone No. _____

Date of Purchase: _____ Installation Date: _____

TABLE OF CONTENTS

SUBJECT	PAGE
Safety Instructions	2
Description and Specifications	2
Engineering Data	2
Installation	2
Location	2
Close-Coupled Units	2
Frame-Mounted Units	3
SAE Engine Driven Pumps	3
Coupling Alignment	6
Frame-Mounted Units Only	6
Piping	6
Suction	6
Discharge	6
Wiring and Grounding	7
Rotation	7
Operation	7
Maintenance	7
Disassembly	8
Reassembly	8
Packed Box Instructions	9
Troubleshooting	10
Repair Parts	11
Limited Warranty	14

SAFETY INSTRUCTIONS

TO AVOID SERIOUS OR FATAL PERSONAL INJURY OR MAJOR PROPERTY DAMAGE, READ AND FOLLOW ALL SAFETY INSTRUCTIONS IN THE MANUAL AND ON THE PUMP.



This is a **SAFETY ALERT SYMBOL**. When you see this symbol on the pump or in the manual, look for one of the following signal words and be alert to the potential for personal injury or property damage.



DANGER Warns of hazards that **WILL** cause serious personal injury, death or major property damage.



WARNING Warns of hazards that **CAN** cause serious personal injury, death or major property damage.



CAUTION Warns of hazards that **CAN** cause personal injury or property damage.

NOTICE: INDICATES SPECIAL INSTRUCTIONS WHICH ARE VERY IMPORTANT AND MUST BE FOLLOWED.

THIS MANUAL IS INTENDED TO ASSIST IN THE INSTALLATION AND OPERATION OF THIS UNIT. THOROUGHLY REVIEW ALL INSTRUCTIONS AND WARNINGS PRIOR TO PERFORMING ANY WORK ON THIS PUMP.

MAINTAIN ALL SAFETY DECALS.

NOTICE: INSPECT UNIT FOR DAMAGE AND REPORT ALL DAMAGE TO CARRIER IMMEDIATELY.



UNIT NOT DESIGNED FOR USE WITH HAZARDOUS LIQUIDS OR FLAMMABLE GASES.



Hazardous fluids can cause fire, burns or death.

WARNING This product can expose you to chemicals including Lead which is known to the state of California to cause cancer or birth defects or other reproductive harm. For more information go to: www.P65Warnings.ca.gov.

DESCRIPTION and SPECIFICATIONS

The series 3656/3756 are single stage, end suction, centrifugal pumps for general liquid transfer, booster applications, irrigation and general service pumping. Pumps are available in three different materials of construction: all iron, bronze-fitted and all bronze ("S" group only).

Pump impellers are fully enclosed, key driven and held in position by an impeller bolt and washer. Casings are full volute in design with replaceable wear rings.

Dependant on the pump size, the suction and discharge connections will be threaded or flanged. Shafts are protected with stainless steel shaft sleeves.

Close-coupled units have NEMA standard JM or JP motors with C-face mounting and key driven shaft extension. SAE drive units bolt directly to the engine flywheel housing for SAE sizes 1, 2, 3, 4 or 5. Optional elastomer element couplings are available for 6½, 7½, 8, 10, 11½ and 14 inch flywheels. Frame mounted units can be coupled to motors through a spacer coupling, or belt driven.

ENGINEERING DATA

Maximum Liquid Temperature:

212° F (100° C) – standard seal or packing

250° F (120° C) – Optional high temp. seal

Maximum Working Pressure (Fluid temperature dependant):

– NPT connections, 200 PSI (1379 kPa)

– 125# ANSI flanged connections, 200 PSI (1379 kPa)

Maximum Suction Pressure: 100 PSI (689.5 kPa)

Starts per Hour: 20, evenly distributed

Group	Size	Suction	Discharge
S	1½ x 2-6(H)	2" NPT	1½" NPT
	1 x 2-7	2" NPT	1" NPT
	2½ x 3-7	3" NPT	2½" NPT
	3 x 4-7	4" Flange	3" Flange
	1 x 2-8	2" NPT	1" NPT
LH	1½ x 2-8	2" NPT	1½" NPT
	2 x 2-5	2" NPT	2" NPT
	2½ x 2½-5	2½" NPT	2½" NPT
	3 x 3-5	3" NPT	3" NPT
	4 x 4-5	4" Flange	4" Flange
M	5 x 5-6	5" Flange	5" Flange
	2½ x 3-8	3" NPT	2½" NPT
	3 x 4-8	4" Flange	3" Flange
	4 x 5-8	5" Flange	4" Flange
	1½ x 2-10	2" NPT	1½" NPT
	2½ x 3-10	3" Flange	2½" Flange
	3 x 4-10	4" Flange	3" Flange
	4 x 6-10	6" Flange	4" Flange
	2½ x 3-13	3" Flange	2½" Flange
	3 x 4-13	4" Flange	3" Flange
L	4 x 6-13	6" Flange	4" Flange
	6 x 8-13	8" Flange	6" Flange
	8 x 10-13	10" Flange	8" Flange
	4 x 6-16	6" Flange	4" Flange

INSTALLATION

WARNING THE INSTALLATION OF THE PUMP SHALL INCLUDE ADEQUATE DRAINAGE OR LOCATED SUCH THAT OTHER EQUIPMENT OR PROPERTY WOULD NOT BE DAMAGED IN THE EVENT OF ANY LEAKAGE. THE PUMP SHOULD NOT BE INSTALLED ABOVE EQUIPMENT OR PROPERTY UNLESS ADEQUATE DRAINAGE IS PROVIDED. FAILURE TO COMPLY WITH THIS WARNING COULD RESULT IN PROPERTY DAMAGE.

WARNING OVERTIGHTENING OF THE CASING FASTENERS COULD DAMAGE THE FASTENER, RESULTING IN LEAKAGE AND PROPERTY DAMAGE.

LOCATION

- Locate the pump as near liquid source as practical; below level of liquid for automatic repriming capability.
- Allow adequate space for servicing and ventilation. Protect the unit from weather and water damage due to rain, flooding or freezing temperatures.
- Protect the pump and piping from freezing temperatures.
- Allow adequate space around the unit for service and ventilation.

CLOSE-COUPLED UNITS

- Units may be installed horizontally, inclined or vertically with the motor above the pump.
- The motor feet **MUST** be bolted to a substantial surface (horizontal or vertical) that is capable of complete and rigid support for the pump and motor. For L-Group pumps, the motor adapter feet must also be bolted to the supportive surface.
- For vertical operation, the motor should be fitted with a drip cover or otherwise protected against liquid entering the motor (rain, spray, condensation, etc.)

NOTICE: DO NOT INSTALL WITH MOTOR BELOW PUMP. ANY LEAKAGE OR CONDENSATION WILL AFFECT THE MOTOR.

FRAME-MOUNTED UNITS

- A flat substantial foundation surface **MUST** be provided to avoid distortion and/or strain when tightening the foundation bolts. A rubber mounting is acceptable to reduce noise or excessive vibration.
- Tighten motor hold-down bolts **BEFORE** connecting piping to pump.

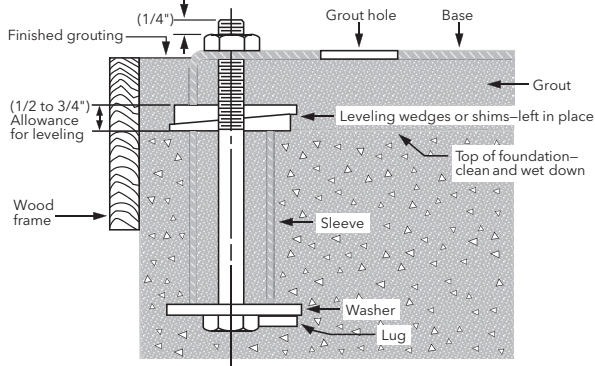


Figure 1

- It is recommended that the baseplate be grouted to a foundation with solid footing. Refer to Figure 1.
- Place unit in position on wedges located at four points, two below approximate center of driver and two below approximate center of pump. Adjust wedges to level unit. Level or plumb suction and discharge connections.
- Make sure bedplate is not distorted and final coupling alignment can be made within the limits of movement of motor and by shimming, if necessary.
- Tighten foundation bolts finger tight and build dam around foundation. Pour grout under bedplate making sure the areas under the pump and motor feet are filled solid. Allow grout to harden 48 hours before fully tightening foundation bolts.
- Tighten pump and motor hold-down bolts before aligning shaft or connecting the piping to pump.
- Allow grout to harden for 48 hours before tightening 4 foundation bolts.

SAE - ENGINE DRIVEN PUMPS

The SAE engine drive bearing frame is designed to bolt directly to the flywheel housing for engines with an SAE no. 1, 2, 3, 4 or 5 mount. The pump shaft extension is sized for use with couplings bolted directly to the flywheel. Goulds Water Systems optional couplings are sized for 6½", 7½", 8", 10", and 14" flywheels. Although other flywheel mount couplings may be used, it is recommended that the Goulds Water Systems coupling be used to ensure long and trouble-free operation from your Goulds Pump.

REQUIREMENTS FOR PROPER OPERATION

Pump End:

When delivering the required capacity (GPM) to the system piping, the pump must add the amount of Head required by the system at the capacity. The operating head-capacity point should be as close as possible to the highest efficiency line shown on the performance curve, and must be below the head-capacity line labeled "maximum" RPM. The maximum operaton RPM for the pump is determined by bearing life, or in some cases, by the pressure limits of the pump. Suction and discharge openings are NPT tapped for standard pipe, or faced and drilled per ANSI B16.1, class 125 for standard flanges as indicated. Maximum working pressure for class 30 cast iron, per ANSI B16.1, is 175 PSI.

Internal combustion engines are variable speed and variable power machines. The power output depends on the engine speed (RPM) and will be reduced when operating altitude, and/or the air temperature increases. When driving the pump at the RPM required to deliver water into the system piping, the engine must operate within the Engine Manufacturers minimum and maximum RPM limits. The power output to supply the pump power demand must not exceed the continuous power rating of the engine, after derating for all power consuming engine accessories, and adjustmaner for installation site altitude and air temperature.

DRIVE-TRAIN SIZING (BHP)

The BHP Equation is: $(\text{Flow} \times \text{TDH}) / 3960 \times \text{Eff.}$

Note: For internal combustion units the BHP calculation must be de-rated for the following conditions:

- 20% for continuous duty
- 5% for right-angle drive
- 3% for each 1,000 feet above sea level
- 1% for each 10° F above 60° F.

DRIVE-TRAIN SIZING (TORQUE)

Other than sizing an engine for BHP, torque calculations also are required for proper sizing. Typically the horsepower and torque rating do not follow the same relationship throughout the usable range of a diesel engine (Figure 2). The equation for torque (lbs/ft) is $(5250 \times \text{BHP}) / \text{RPM}$.

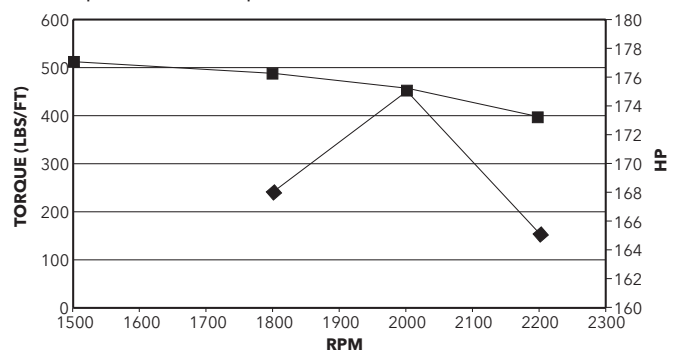


Figure 2: HP (◆) vs. Torque (■)

VERIFY MATCH OF PUMP END TO ENGINE

SAE Bracket Size:

Engine drive pumps are available to fit engines having a standard SAE 5 through SAE 1 flywheel housing.

For a new engine, the engine supplier can provide the SAE housing number.

For an existing engine, the flywheel housing bore and bolt circle can be measured and compared against the standard SAE housing dimensions listed in Table 1, to identify the housing SAE number.

- Measure the flywheel housing bore (A), and the bolt circle (B), as accurately as possible with a tape measure (to the nearest 1/32 inch).
- Count the number of threaded holes in the flywheel housing (C). Test the threaded holes with a bolt, to determine the thread series.
- Compare the measured dimensions (A), (B), and (C) against Table 1, to determine the SAE number of the flywheel housing, to be sure it matches the SAE number of your pump.

Flywheel Housing Dimensions	SAE Flywheel Housing Size				
	1	2	3	4	5
A	20 $\frac{1}{8}$	17 $\frac{5}{8}$	16 $\frac{1}{8}$	14 $\frac{1}{4}$	12 $\frac{3}{8}$
B	20 $\frac{1}{8}$	18 $\frac{3}{8}$	16 $\frac{7}{8}$	15	13 $\frac{1}{8}$
C	No.	12	12	12	8
	Size	7/16-14	3/8-16	3/8-16	3/8-16

Table 1

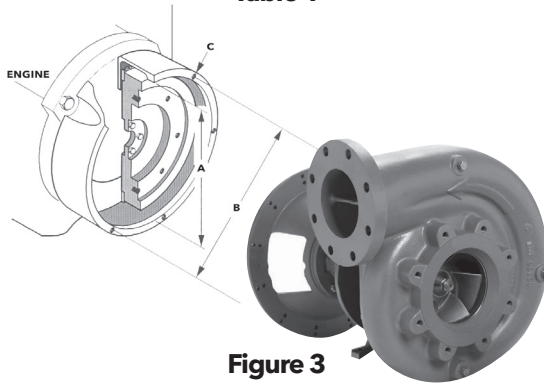


Figure 3

INSTALLATION

- The pump may be installed horizontally, with the discharge rotated to any position allowed by the casing bolt pattern (13). It is recommended that the discharge be located horizontally, above the suction.
- The casing must be supported on all pumps by a rigid support which is anchored to the unit base or foundation.
- For M-Group pumps it is recommended that this support is bolted to the motor adapter ring using 2 or more of the casing bolts (13). It is likely that longer bolts will be required for the additional support thickness. Use SAE grade 5 bolts, torqued as indicated in this manual.
- For L-Group pumps it is recommended that the pump is supported beneath the two feet cast into the motor adapter (3). These feet must be bolted to the support.

NOTE: When the coupling is correctly assembled, the hub will not bottom out on the shaft splines. If it should bottom out, reverse the coupling on the shaft as shown to gain clearance.

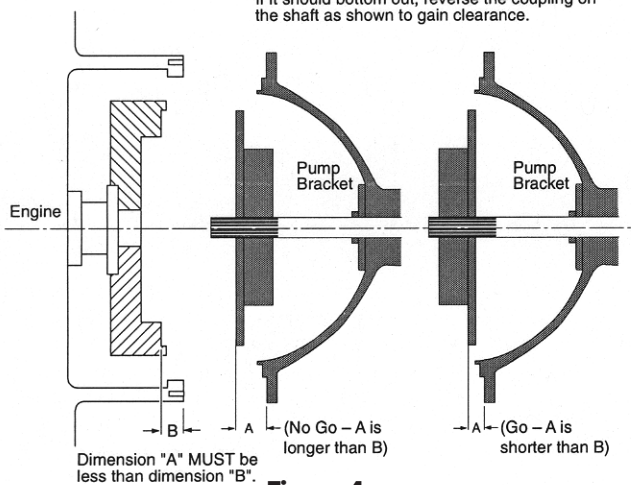


Figure 4

PUMP TO ENGINE ASSEMBLY (SPLINE COUPLING)

Preparation for Assembly of Pump on Engine

- Clean face and register fit of flywheel housing and flywheel as necessary to remove all grease, dirt, or rust (and all traces of rust preventative) which would interfere with installation of pump and/or prevent correct alignment. If flywheel is fitted with a pilot bearing for a transmission shaft, remove and discard. The pilot bearing is not required for installation of the pump end, and could interfere with the pump shaft.
- Examine shaft spline closely. Use a file, if necessary, to remove any burrs that would prevent coupling from sliding freely onto the shaft.
- Lubricate pump shaft spline sparingly with light grease. Don't lubricate straight keyed shaft.
- Slide the coupling onto shaft until it is stopped against the shaft (refer to page 5 for straight shaft installation).
- Measure the distance from the engine side of the flywheel coupling adapter ring to the mounting face of the pump bracket. Refer to Figure 4 below, **Dimension "A"**.
- Next, measure depth from face of flywheel housing on engine, to face on flywheel against which coupling will be bolted. Refer to Figure 4 below, **Dimension "B"**.
- Pump measurement must be less than engine measurement or axial interference will result in thrust force on engine crank shaft bearings. Simply stated, **Dimension "A" must be less than Dimension "B"**.

FLYWHEEL COUPLING

- The flywheel coupling transmits power from the engine flywheel to the pump shaft. The maximum power that a coupling can safely handle is shown by a rating number, "R", which is listed in the coupling dimensions tables.
- When selecting a flywheel coupling for a pump and engine, first determine the power rating that the pump will demand. On the pump performance curve, find the RPM and BHP values required to produce the application head-capacity point.
- Divide the BHP by the RPM, then multiply the result times 100. The result will be the demand number for the pump. For example, a 20BFAE1AO can deliver 800 GPM at 270 feet Total Head when running at 1800 RPM. The power required by the pump will be 75 BHP. The demand number will be: $(75 / 1800) \times 100 = 4.16$

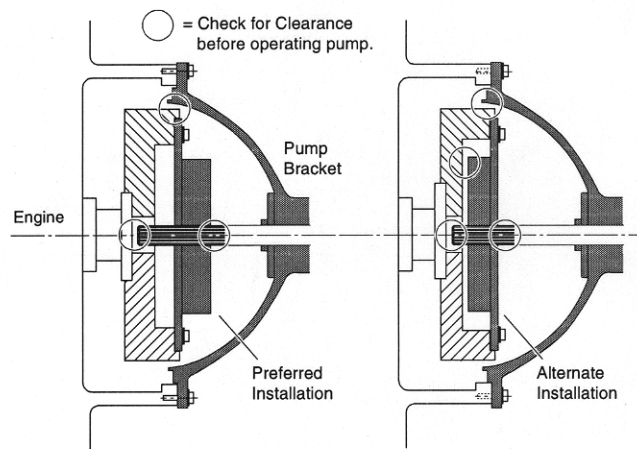


Figure 5

• Next, select a coupling that can safely transmit the power, and which will fit the flywheel dimensions. For a coupling to be suitable, it must have an "R" rating number GREATER THAN the pump demand number. In the above example, the minimum coupling "R" number would be 5.

• Torsional compatibility of the engine, pump, and coupling is the responsibility of the assembler. Goulds Water Systems will supply data for the pump and coupling for use by the assembler for a torsional analysis.

NOTE: If the flywheel is fitted with a pilot bearing pressed into a bore at the center, remove it to avoid interference with the pump shaft.

FLYWHEEL FOR INDUSTRIAL TYPE OVERCENTER CLUTCHES

- Figure 6 shows the hollowed-out appearance of the flywheels made for use with overcenter type clutch power take-off assemblies.
- These flywheels will have a recessed bore machined into the face, and a set of tapped holes, which will be used to attach the coupling to the flywheel. Dimensions are governed by an SAE standard and are listed in Tables 1A and 1B, Figure 3. The "clutch size" shown in the table is the nominal clutch facing diameter for Drive Ring Type Overcenter Clutches.

OTHER FLYWHEELS

- Some engines are fitted with flywheels especially machined for coupling to other kinds of machinery (electrical generators, torque converters, etc.), and require nonstandard flywheel couplings. These may be purchased from third party vendors or suppliers.

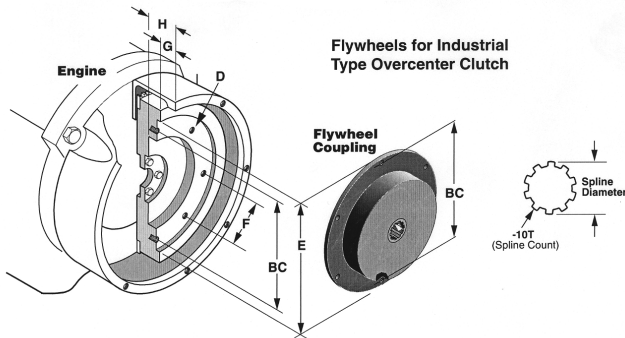


Figure 6

Table IA - Wide RPM Range, Elastomer Mounted Hub - Spline Shaft

Clutch Size	Flywheel Dimensions							Flywheel Coupling (Spline)		
	Qty.	D Size (UNC)	E	BC	F	G	H	R*	Catalog Number	Shaft Spline Dia.
6½"	6	⅝-18	8½ OD	7.88	3.94	1.19	1.69	7	A00569C 1	1½" 10T
7½"	8	⅝-18	9½ OD	8.75	3.69	1.19	1.69	7	A00569C 2	1½" 10T
8"	6	¾-16	10⅜ OD	9.62	4.81	2.44	2.94	7	A00569C 3	1½" 10T
10"	8	¾-16	12⅜ OD	11.62	4.47	2.13	2.75	7	A00569C 4	1½" 10T
10"	8	¾-16	12⅜ OD	11.62	4.47	2.13	2.75	9	A00569C 6	1½" 10T
11½"	8	¾-16	13⅞ OD	13.12	5.06	1.56	2.69	7	A00569C 5	1½" 10T
11½"	8	¾-16	13⅞ OD	13.12	5.06	1.56	2.69	9	A00569C 7	1½" 10T
14"	8	1½-13	18⅞ OD	17.25	6.63	1.00	2.13	9	A00569C 8	1½" 10T

* R = Coupling Rating Max.
Coupling Rating = (Rated horsepower x 100) / Rated RPM

Table IB - Wide RPM Range, Elastomer Mounted Hub - Straight Shaft

Clutch Size	Flywheel Dimensions							Flywheel Coupling		Shaft Spline Dia.
	Qty.	D Size (UNC)	E	BC	F	G	H	R*	Catalog Number	
6½"	6	⅝-18	8½ OD	7.88	3.94	1.19	1.69	2.28	CD616	1.625-1.624Ø ⅜ x ⅜ Keyway
								3.51	CD625	
7½"	8	⅝-18	9½ OD	8.75	3.69	1.19	1.69	2.28	CD716	
								3.51	CD725	
8"	6	¾-16	10⅜ OD	9.62	4.81	2.44	2.94	2.28	CD816	
								3.51	CD825	
10"	8	¾-16	12⅜ OD	11.62	4.47	2.13	2.75	2.28	CD1016	
								3.51	CD1025	
								5.71	CD1030	
								8.57	CD1050	
								11.23	CD1080	
11½"	8	¾-16	13⅞ OD	13.12	5.06	1.56	2.69	2.28	CD1116	
								3.51	CD1125	
								5.71	CD1130	
								8.57	CD1150	
								11.23	CD1180	
								12.62	CD1190	
								16.85	CD11110H	
14"	8	¾-16	18⅞ OD	17.25	6.63	1.00	2.13	2.28	CD1416	
								3.51	CD1425	
								5.71	CD1430	
								8.57	CD1450	
								11.23	CD1480	
								12.62	CD1490	
								16.85	CD14110H	

Dimensions in inches
* R = Coupling Rating Max.
Coupling Rating = (Rated horsepower x 100) / Rated RPM

- For Goulds Water Systems straight shaft keyed couplings - Ensure that the coupling hub set screw is backed out enough to ensure clearance for the shaft key during assembly.
- Mount the coupling assembly to the engine flywheel using the bolts provided torqued as follows in a crossing sequence:
6½" or 7½" Flywheel - 11 lbs.-ft. (15 N·m)
8", 10" or 11½" Flywheel - 20 lbs.-ft. (27 N·m)
14" Flywheel - 50 lbs.-ft. (68 N·m)
(For other couplings follow manufacturers recommended installation procedure.)

- Place the pump shaft key into the pump shaft (122) and align the shaft to the coupling. Slide the pump into the coupling until the engine adapter ring (340) contacts the engine flywheel housing.

INSTALLATION OF COUPLING ON FLYWHEEL

Flywheel Coupling Overcenter Type:

- These couplings are aligned concentrically with the flywheel by register fit on the flywheel.
- Be sure to remove all preservatives from the engine's flywheel.
- Fit the coupling into the flywheel. Align the bolt holes and engage coupling with register fit on flywheel. Tap coupling with a soft heavy hammer, if necessary, to be sure that it is seated flat against flywheel. Secure coupling tightly to flywheel with capscrews and lockwasher.

INSTALLATION OF PUMP ON ENGINE

- Lift pump with suitable lifting apparatus and align pump shaft with coupling. End of pump shaft has a pilot diameter which permits easy engagement of pump shaft into coupling.
- Reach into pump suction opening and rotate impeller slightly until the shaft will engage the coupling. Verify that there is no gap between bracket and flywheel housing faces. Rotate pump as necessary to align bracket holes with engine. Install capscrews and bolt pump end securely to engine.

NOTE: If any interference, or incompatibility of parts is detected during installation, DO NOT proceed with assembly. Direct the problem to your nearest Goulds distributor.

- Mount the pump to the engine using the bolts and lock-washers provided, torqued as follows in a crossing sequence:

SAE #2, #3, #4, #5 - 20 lbs.-ft. (27 N·m)
SAE #1 - 50 lbs.-ft. (68 N·m)

- Install coupling guards (501N).
- Bolt motor adapter (3) to the rigid support described above.

COUPLING ALIGNMENT



FAILURE TO DISCONNECT AND LOCKOUT ELECTRICAL POWER BEFORE ATTEMPTING ANY MAINTENANCE CAN CAUSE SEVERE PERSONAL INJURY.

FRAME-MOUNTED UNITS ONLY

- Alignment **MUST** be checked prior to running. See Figure 7.

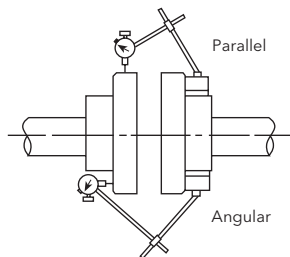


Figure 7

- Tighten all hold-down bolts before checking alignment.
- If realignment is necessary, always move the motor. Shim as required.
- Parallel misalignment, shafts with axis parallel but not concentric. Place dial indicator on one hub and rotate this hub 360° while taking readings on the outside diameter of the other hub. Parallel alignment is achieved when reading is 0.010" (0.254 mm) TIR, or less.
- Angular misalignment, shaft with axis concentric but not parallel. Place dial indicator on one hub and rotate this hub 360° while taking readings on the face of the other hub. Angular alignment is achieved when reading is 0.020" (0.508 mm) TIR, or less.
- Final alignment is achieved when parallel and angular requirements are satisfied with motor hold-down bolts tight.

NOTICE: ALWAYS RECHECK BOTH ALIGNMENTS AFTER MAKING ANY MECHANICAL ADJUSTMENTS.

PIPING

- Piping should be no smaller than pump's discharge and suction connections and kept as short as possible, avoiding unnecessary fittings to minimize friction losses. See Table 1.

- All piping **MUST** be independently supported and **MUST NOT** place any piping loads on the pump

NOTICE: DO NOT FORCE PIPING INTO PLACE AT PUMP SUCTION AND DISCHARGE CONNECTIONS.

- All pipe joints **MUST** be airtight.

PIPING - SUCTION

- For suction lifts over 10 ft. (3 m) and liquid temperatures over 120° F (49° C), consult pump performance curve for net positive suction head required (NPSH_R).

- If a pipe size larger than pump suction is required, an eccentric pipe reducer, with the straight side up, **MUST** be installed at the pump suction.

- If pump is installed below the liquid source, install a gate valve in the suction for pump inspection and maintenance.

NOTICE: DO NOT USE THE GATE VALVE TO THROTTLE PUMP. THIS MAY CAUSE LOSS OF PRIME, EXCESSIVE TEMPERATURES AND DAMAGE TO PUMP, VOIDING WARRANTY.

- If the pump is installed above the liquid source, the following **MUST** be provided:

- To avoid air pockets, no part of the piping should be above the pump suction connection.
- Slope the piping upward from liquid source.
- Use a foot valve or check valve **ONLY** if necessary for priming or to hold prime during intermittent duty.
- The suction strainer or suction bell **MUST** be at least 3 times the suction pipe diameter area.
- Insure that the size and minimum submergence over suction inlet is sufficient to prevent air from entering pump through a suction vortex. See Figures 8 through 11.

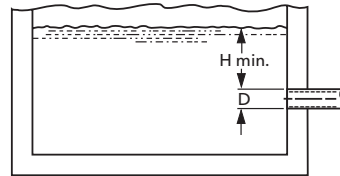


Figure 8

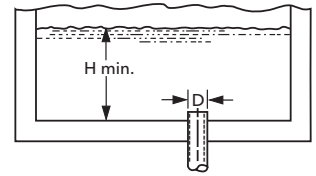


Figure 9

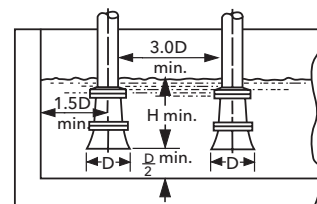


Figure 10

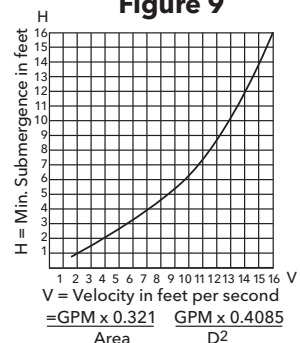


Figure 11

PIPING - DISCHARGE

- Install a check valve suitable to handle the flow, liquids and to prevent backflow. After the check valve, install an appropriately sized gate valve to be used to regulate the pump capacity, pump inspection and for maintenance.
- When required, pipe increaser should be installed between the check valve and the pump discharge.

WIRING AND GROUNDING



- ⚠ Install, ground and wire according to local and National Electrical Code Requirements.
- ⚠ Install an all leg electrical power disconnect switch near the pump.
- ⚠ Disconnect and lockout electrical power before installing or servicing the pump.
- ⚠ Electrical supply **MUST** match pump's nameplate specifications. Incorrect voltage can cause fire, damage motor and void the warranty.

- ⚠ Motors without built-in protection **MUST** be provided with contactors and thermal overloads for single phase motors, or starters with heaters for three phase motors. See motor nameplate.
- Use only copper wire to motor and ground. The ground wire **MUST** be at least as large as the wire to the motor. Wires should be color coded for ease of maintenance.
- Follow motor manufacturer's wiring diagram on the motor nameplate or terminal cover carefully.



FAILURE TO PERMANENTLY GROUND THE PUMP, MOTOR AND CONTROLS BEFORE CONNECTING TO ELECTRICAL POWER CAN CAUSE SHOCK, BURNS OR DEATH.

ROTATION

NOTICE: INCORRECT ROTATION MAY CAUSE DAMAGE TO THE PUMP AND VOID THE WARRANTY.

- Correct rotation is right-hand, **CLOCKWISE** when viewed from the motor end. For frame mounted units, switch power on and off quickly to observe rotation. On close coupled units, remove motor end plug or cover to observe rotation.
- To reverse three phase motor rotation, interchange any two power supply leads.

OPERATION



DO NOT OPERATE FRAME MOUNTED OR SAE UNITS WITHOUT SAFETY GUARDS IN PLACE OR SEVERE PERSONAL INJURY MAY RESULT.



SPLASHING OR IMMERSING OPEN DRIP PROOF MOTORS IN FLUID CAN CAUSE FIRE, SHOCK, BURNS OR DEATH.



OPERATION AT OR NEAR ZERO FLOW CAN CAUSE EXTREME HEAT, PERSONAL INJURY OR PROPERTY DAMAGE.

NOTICE: NO NOT RUN PUMP DRY OR SEAL DAMAGE WILL RESULT.

- After stabilizing the system at normal operating conditions, check the piping. If necessary, adjust the pipe supports.
- On frame-mounted units, coupling alignment may have changed due to the temperature differential between pump and motor. Recheck alignment following procedures and hazard warnings in "**COUPLING ALIGNMENT**" section of this manual.

MAINTENANCE



FAILURE TO DISCONNECT AND LOCKOUT ELECTRICAL POWER BEFORE ATTEMPTING ANY MAINTENANCE CAN CAUSE SHOCK, BURNS OR DEATH.



FAILURE TO RELIEVE SYSTEM PRESSURE AND DRAIN SYSTEM BEFORE ATTEMPTING ANY MAINTENANCE CAN CAUSE PROPERTY DAMAGE, PERSONAL INJURY OR DEATH.



IF PIPING HAZARDOUS OR TOXIC FLUIDS, SYSTEM MUST BE FLUSHED PRIOR TO PERFORMING SERVICE.

CLOSE-COUPLED UNITS

- Bearings are located in and are part of the motor. For lubrication information, refer to motor manufacturer's instructions.

FRAME-MOUNTED UNITS

- Model 3756 S-group has greased for life bearings. No regreasing is possible or necessary.
- Model 3756 M or L-group bearing frame and SAE drive bearing frame should be regreased every 2,000 hours or at a three month interval, whichever occurs first. Use a #2 sodium or lithium based grease. Fill until grease comes out of relief fittings, or lip seals, then wipe off excess.
- Follow motor or engine and coupling manufacturer's lubrication instructions.
- Recheck alignment.

SEASONAL SERVICE

- To **REMOVE** pump from service, remove drain plug and drain all unprotected piping.
- To **RETURN** pump to service, replace drain plug using Teflon™ tape or equivalent on male threads.
- Reconnect suction line if removed, examine union and repair if necessary.
- Refer to **OPERATION** section of manual.

DISASSEMBLY

- Follow **ALL** warnings and instructions in the **"MAINTENANCE"** section of this manual.
- Close-coupled units: Remove motor hold-down bolts.
- Frame-mounted units: Remove coupling guard, spacer, coupling and frame hold-down bolts.

LIQUID END

1. Remove casing bolts (13).
2. Remove back pull-out assembly from casing (1).
3. Remove casing wear ring (4) if excessively worn.

NOTICE: DO NOT INSERT SCREWDRIVER BETWEEN IMPELLER VANES TO PREVENT ROTATION.

4. On close-coupled units, remove motor end plug or cover to expose screwdriver slot or flats on end of motor shaft.
5. While restraining shaft with an appropriate tool (close-coupled units) or with a strap wrench (frame-mounted units) remove impeller bolt (6). Impeller bolt may need to be heated with torch to remove. Discard.

NOTICE: EXERCISE CAUTION WHEN HANDLING HOT IMPELLER BOLT.

NOTICE: FOR SAE DRIVE UNITS, REMOVE IMPELLER NUT SET SCREW (22A) PRIOR TO REMOVING IMPELLER NUT (22). IMPELLER SET SCREW AND IMPELLER NUT MAY NEED TO BE HEATED TO BE REMOVED.

6. Remove impeller washer (7).
7. Insert two prybars, 180° apart, between impeller (2) and seal housing (3). **CAREFULLY** pry off impeller.
8. Remove impeller key (8).
9. Remove seal housing bolts (14) and seal housing (3) pulling with it the mechanical seal assembly. Discard seal assembly and seal housing o-ring (9). For packed box pumps see **"PACKED BOX INSTRUCTIONS"**.
10. Remove adapter (108).
11. Inspect shaft sleeve (11). If badly scored, remove by heating with torch. Discard.
12. Push out the mechanical seal stationary seat from the seal housing. Discard.
13. On units equipped, remove seal housing wear ring (5) if excessively worn.

DISASSEMBLY OF BEARING FRAME OR SAE BEARING FRAME

1. Remove deflector (123) from shaft.
2. Remove bearing cover (134).
3. Remove shaft assembly from frame.
4. Remove lip seals (138, 139) from bearing frame (228) and bearing cover (134) if worn. Discard.

5. Remove retaining ring (361).
6. Use bearing puller or arbor press to remove ball bearings (112, 168).

REASSEMBLY

- All parts should be cleaned before assembly.

NOTICE: O-RING SHOULD BE REPLACED AFTER ANY DISASSEMBLY OF UNIT.

BEARING FRAME

1. Replace lip seals if removed.
2. Replace ball bearings if loose, rough or noisy when rotated.
3. Check shaft (122) for runout. Maximum permissible is 0.002" (0.05 mm) TIR.
4. Refer to the **"MAINTENANCE"** section of this manual for M-group bearing frame regreasing instructions.

LIQUID END

1. Inspect shaft removing any debris or burrs.
2. Treat shaft with LOCQUIC® Primer "T", or equivalent, following manufacturer's instructions carefully.
3. When replacing shaft sleeve, spray new shaft sleeve's bore with LOCQUIC® Primer "T", or equivalent. Let parts dry and then apply LOCTITE® #262 on the same surfaces. Slide new sleeve over shaft with a twisting motion, wipe off excess. Let cure according to instructions.

NOTICE: MECHANICAL SEAL MUST BE REPLACED WHENEVER SEAL HAS BEEN REMOVED. FOLLOW SEAL MANUFACTURER'S INSTRUCTIONS CAREFULLY. FOR PACKED BOX PUMPS SEE **"PACKED BOX INSTRUCTIONS"**.

4. Replace seal housing wear ring, if removed.
5. For mechanical seal pumps, stationary seal seat may be dipped in water to ease installation. Place stationary seal seat squarely into seal housing bore. Cover the polished face of the seat with a thin piece of cardboard or paper towel. Press seat firmly into bore using a round piece of plastic or wood that disperses the force over the entire seal face. **NOTE:** If mechanical seal is supplied with a spring retainer, remove and discard the retainer.
6. Place adapter, concave face pointing up, over motor shaft and lower it onto the motor.
7. Replace seal housing o-ring. This o-ring may be lubricated with water or glycerin to ease in installation. Install seal housing on adapter. Exercise care in that the motor shaft does not dislodge or damage seal seat.
8. Fully and squarely install the rotary assembly of seal against the stationary seat.

NOTICE: REPLACE IMPELLER BOLT AND WASHER WHENEVER IMPELLER IS REMOVED.

9. Install impeller key in shaft keyway. Mount impeller on shaft and push until it bottoms. Hold in place. For SAE units, apply LOCTITE 271 to the impeller bore, keyway and shaft. Mount impeller on shaft and push until it bottoms. Hold in place.
10. Install new impeller washer. Impeller washer not used for SAE units.

11. Apply LOCTITE® #271 or equivalent, to new impeller bolt threads and tighten to:
 - ⅜"-16 bolts 20 lbs.-ft. (27 N·m)
 - ½"-13 bolts 38 lbs.-ft. (51 N·m)
 Impeller bolt not used for SAE units.
12. For SAE units apply LOCTITE® #271 to the external threads of the shaft and internal threads of the impeller nut (22). Tighten impeller nut to the following:
 - ½"-Impeller Nut (SAE M-Group) 80 lbs.-ft. (107 N·m)
 - ¾"-Impeller Nut (SAE L-Group) 100 lbs.-ft. (134 N·m)
13. For SAE units, after impeller nut (22) has been installed, apply LOCTITE® #271 to set screw (22A). Install impeller set screw into face of impeller nut (22) and tighten hand-tight.
14. Replace casing wear ring, if removed.
15. Replace casing bolts and tighten, in a crossing sequence, to torque values indicated below:
 - ⅜"-16 bolts (bronze casing) 25 lbs.-ft. (34 N·m)
 - ½"-16 bolts (cast iron casing) 37 lbs.-ft. (50 N·m)
 - ½"-13 bolts (cast iron casing) 90 lbs.-ft. (122 N·m)
 - ¾"-10 bolts (cast iron casing) 175 lbs.-ft. (237 N·m)
16. Check reassembled unit for binding by rotating shaft with appropriate tool from motor end.
17. If rubbing exists, loosen casing bolts and proceed with tightening sequence again.
18. Replace motor hold-down bolts and motor end plug or cover on close-coupled units.
19. Replace coupling, spacer, coupling guard and frame hold-down bolts on frame-mounted units.

NOTICE: ALWAYS RECHECK BOTH ALIGNMENTS AFTER MAKING ANY ADJUSTMENTS.

20. Refer to the **"COUPLING ALIGNMENT"** section of this manual to realign shaft.
21. Assembly is complete.

PACKED BOX

1. Make sure stuffing box is free of foreign materials and clean before beginning packing of packed box. Refer to Sectional Assembly in the repair parts section.
2. Take special care during installation of packing rings because they are die-formed. To install, twist the ring sideways just enough to fit it around the shaft sleeve. **DO NOT ATTEMPT TO PULL RINGS STRAIGHT OUT.** See Figure 12.

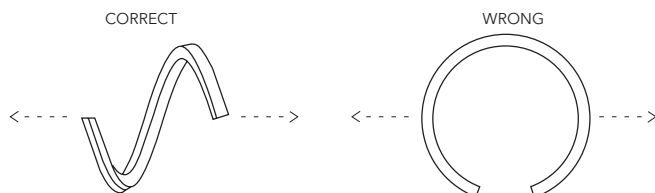
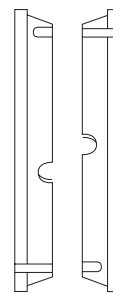


Figure 12

3. Install the two piece Teflon lantern ring supplied as shown in figure 13. Note: two pieces make one ring. Notches on ring must face each other, but alignment is not necessary.



**Teflon Lantern Ring
Figure 13**

4. Install the packing rings and lantern ring in the following sequence to pack the packed box. Install two rings of packing, then the lantern ring, followed by the final three rings of packing. Install each ring separately and firmly seat. The use of a wooden split bushing is recommended to accomplish this. See Figure 14. Use gland to jack the bushing and ring into the box. Stagger joints in each ring 90°. Make sure the flush tap in the packed box lines up with the center of the lantern ring. Any extra rings are spares.

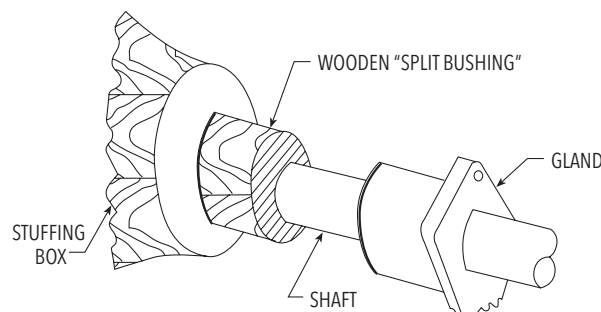


Figure 14

5. Tighten gland nuts evenly, but not tight. When the pump is started, slowly tighten the gland nuts until the leak rate is between 40 and 60 drops per minute. A grease lubricant can be used when the pumpage contains abrasive particles or for a suction lift condition.

REMOVAL OF PACKED BOX

- Follow these steps to remove the packing from the packed box.
 1. Remove gland assembly.
 2. With a "packing hook" remove packing.
 3. Insert a wire hook into the ring on the outer edge to remove the lantern ring.
 4. Clean the packed box.

PRIME SAFE ARRANGEMENT (Optional - M & L Group Only)

- The Prime Safe arrangement can be provided with grease or an oiler feed lubrication.
 1. The grease gland (24) will have the letters "G" and "O" stamped on the outside diameter and have two ⅛" NPT connections for mounting a grease feeder or oiler.

2. For grease feed applications, the grease gland is assembled with the "G" stamp in the 12 o' clock position. The grease feeder (23) will mount in the grease gland at a 30 degree angle from the horizontal. This is done to gain access to the grease fitting located on the grease feeder. The lip seal (26) mounted in the grease gland will be assembled as shown in Figure 15.
3. For oiler feed applications, the grease gland is assembled with the "O" stamp in the 12 o' clock position. The two 1/8" NPT connections on the grease gland will be located on the horizontal, which is to ensure proper function of the oiler. The lip seal (26) is to be mounted in the reverse or opposite direction as shown in Figure 10.
4. The mounting of a grease feeder or oiler may require additional pipe extensions and/or fittings that will be provided from the factory as needed.
5. The grease feeder (23) will come with three springs (blue, red and silver). The use of the different springs will be varied depending on the operating temperature and the lubricant (grease) to be used.

Operating Temperature	Grease Feeder Spring Size		
	No. 1 Grease	No. 2 Grease	No. 3 Grease
-10°F (-23°C) to 40°F (4°C)	SILVER	RED	-
-40°F (-40°C) to 110°F (43°C)	SILVER	SILVER	RED
-110°F (-79°C) to 200°F (93°C)	BLUE	SILVER	SILVER

Use SAE 30W oil for oiler application.

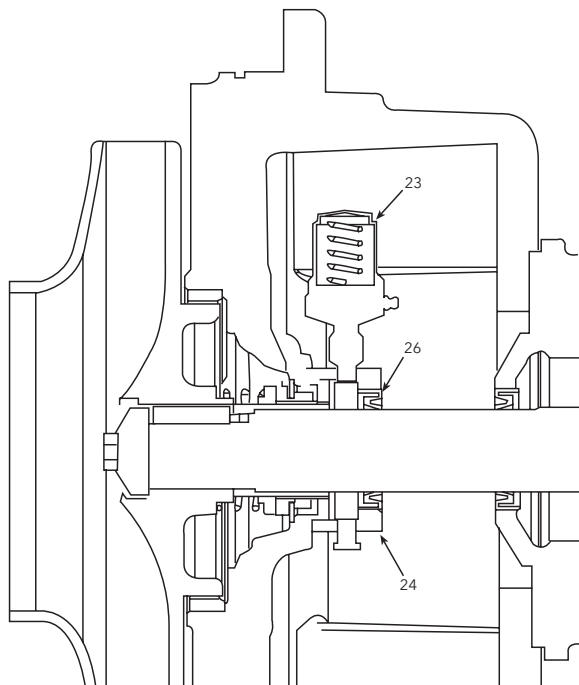


Figure 15

TROUBLESHOOTING GUIDE



DISCONNECT AND LOCKOUT ELECTRICAL POWER BEFORE ATTEMPTING ANY MAINTENANCE. FAILURE TO DO SO CAN CAUSE A SHOCK, BURN OR DEATH.

SYMPTOM

MOTOR NOT RUNNING

See Probable Cause - 1 through 5

LITTLE OR NO LIQUID DELIVERED

See Probable Cause - 6 through 13

EXCESSIVE POWER CONSUMPTION

See Probable Cause - 3, 13, 14, 15

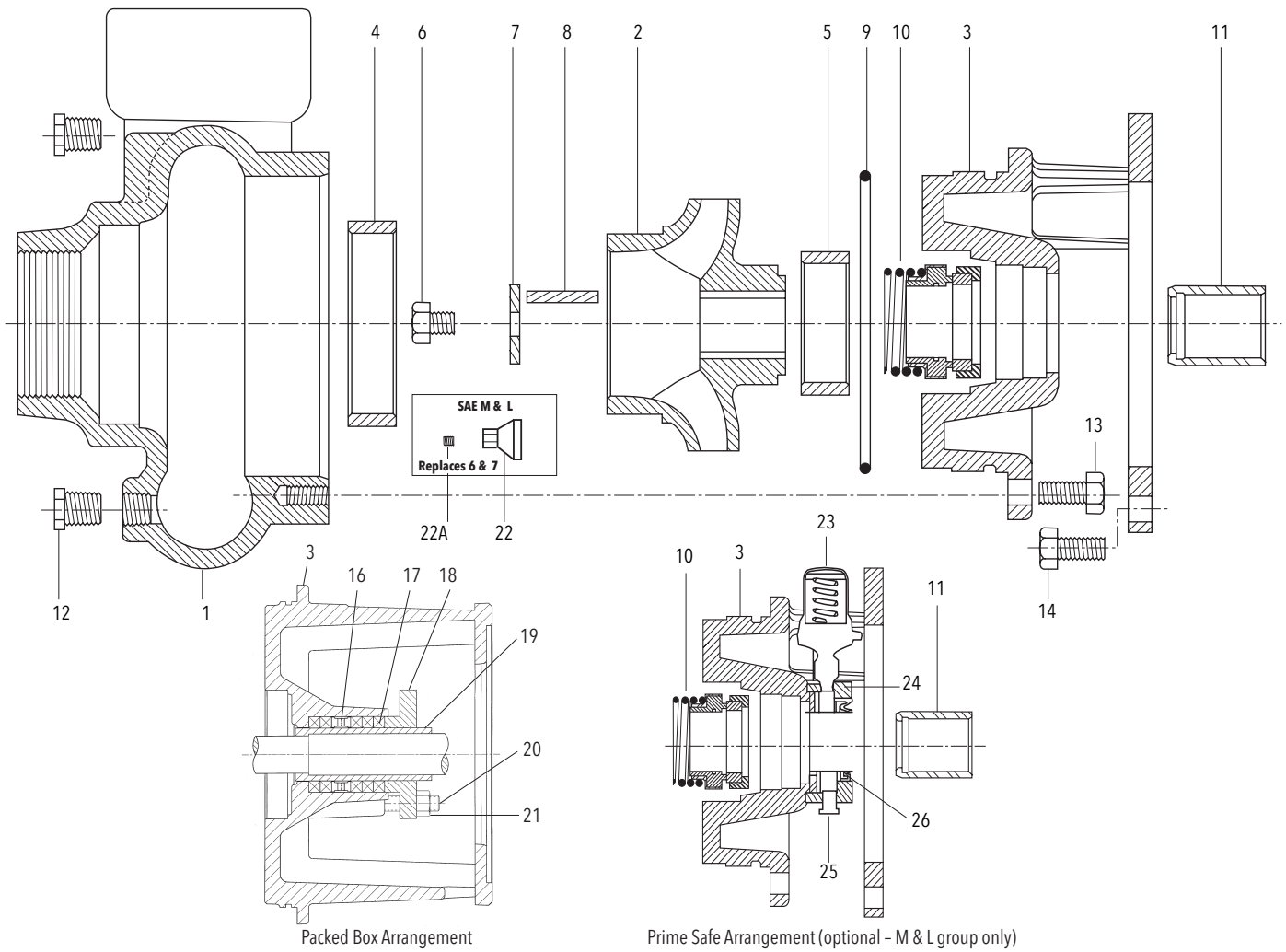
EXCESSIVE NOISE and VIBRATION

See Probable Cause - 3, 6, 7, 10, 12, 14, 16, 17

PROBABLE CAUSE

1. Motor thermal protector tripped
2. Open circuit breaker or blown fuse
3. Impeller binding
4. Motor improperly wired
5. Defective motor
6. Pump is not primed, air or gases in pumpage
7. Discharge, suction plugged or valve closed
8. Incorrect rotation (3 phase only)
9. Low voltage or phase loss
10. Impeller worn or plugged
11. System head too high
12. NPSH_A too low - Excessive Suction lift or losses
13. Incorrect impeller diameter
14. Discharge head too low - excessive flow rate
15. Fluid viscosity, specific gravity too high
16. Worn bearing
17. Pump, motor or piping loose

REPAIR PARTS SERIES 3656/3756



LIQUID END COMPONENTS

Item No.	Description	Material
1	Casing	
2	Impeller	Cast iron or Sil-brass*
3	Adapter	
4	Wear ring (casing)	Cast iron or bronze*
5**	Wear ring (seal housing)	
6	Impeller bolt	AISI Type 300 stainless steel
7	Impeller washer	Steel
8	Impeller key	Steel
9	Seal housing o-ring (optional materials)	BUNA-N/EPR/Viton
10	Mechanical seal	Consult factory
11	Shaft sleeve	AISI Type 300 stainless steel
12	Drain plug - 1/4 or 3/8 NPT	
13	Hex head cap screw (casing to adapter)	Zinc plated steel
14	Hex head cap screw (adapter to motor/frame)	
15	Hex head cap screw (Adapter to seal housing)	
16	Lantern ring	Teflon™
17	Packing, 5 rings	Teflon™ impregnated
18	Gland	AISI 300SS
19	Shaft sleeve	
20	Gland stud	AISI Type 300 stainless steel
21	Gland nut	
22	Impeller nut (SAE only)	304 SS
22A	Set screw, impeller nut (SAE only)	
23	Grease feeder (oiler optional)	Polycarbonate

LIQUID END COMPONENTS

Item No.	Description	Material
24	Grease gland	Aluminum
25	Pipe plug	Zinc plated steel
26	Lip seal	Buna

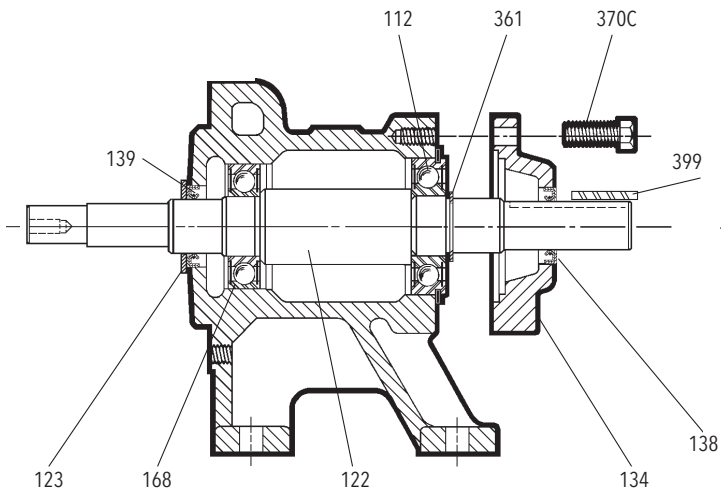
* Lead free

** Item #5 supplied on S-group model 2 1/2 x 3-7 (7 1/2, 10 and 15 HP) and M-group (except 3 x 4-10).

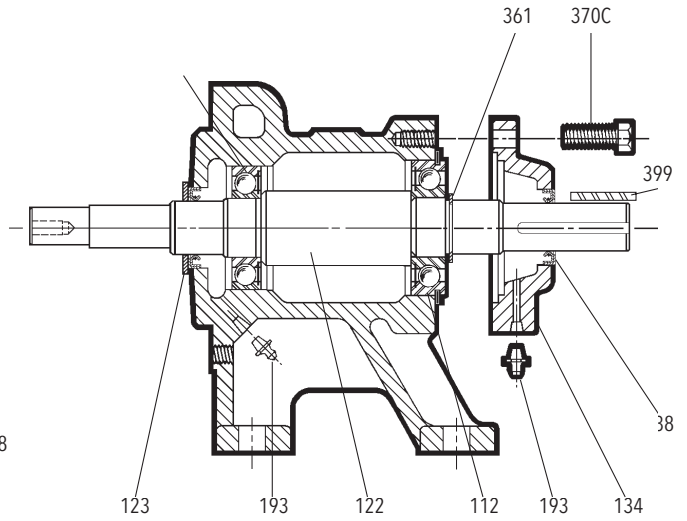
POWER END COMPONENTS (shown on next page)

Item No.	Description	Material
112	Ball bearing (outboard)	Steel
122	Pump shaft	
122A	Pump shaft (SAE)	AISI 4140 steel
123	V-ring, deflector	BUNA-N
134	Bearing cover	Cast iron
138	Lip seal (outboard)	BUNA-N
139	Lip seal (inboard)	
168	Ball bearing (inboard)	Steel
193	Grease fitting (M & L group)	
327C	Screw (cover to adapter) (SAE only)	Zinc plated steel
340	Adapter/engine (SAE only)	Cast iron
361	Retaining ring	Steel
370C	Hex head cap screw (frame to cover)	Zinc plated steel
371C	Hex head cap screw (adapter to frame) (SAE only) NOT SHOWN	Steel
399	Key, coupling	
501N	Cover/adapter (SAE only)	Galvanized steel

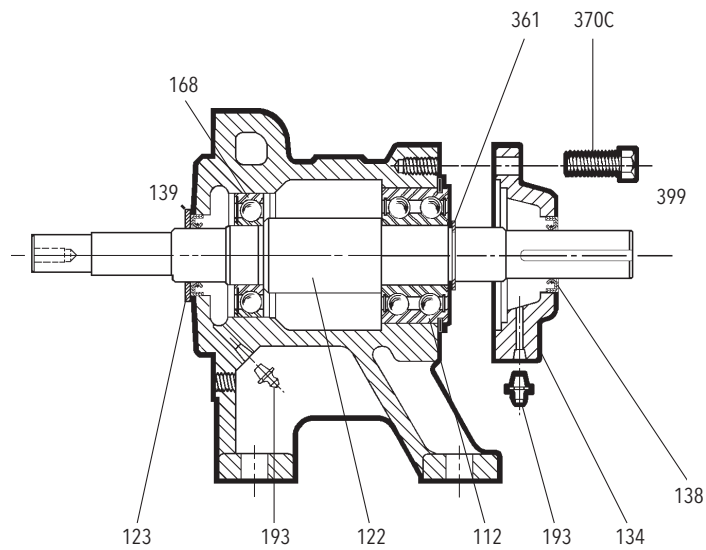
3656/3756 POWER FRAMES



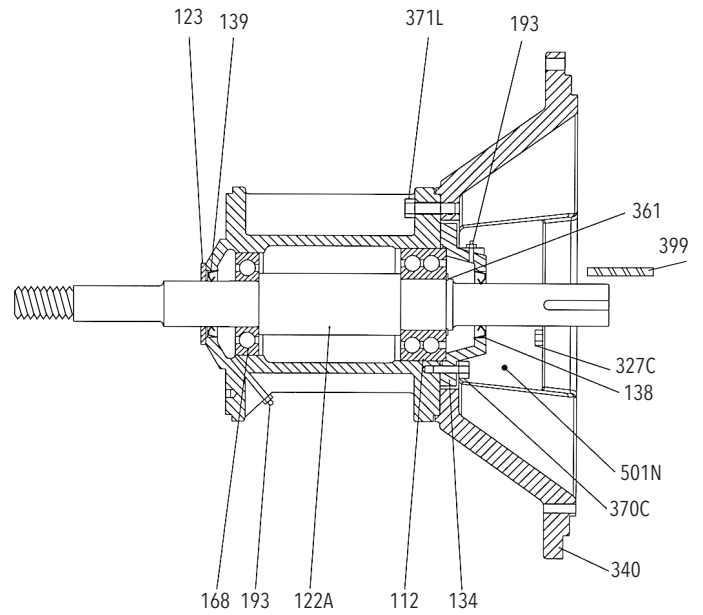
S-Group Power Frame



M-Group Power Frame



L-Group Power Frame



SAE Power Frame

COMMERCIAL WARRANTY

For goods sold to commercial buyers, Seller warrants the goods sold to Buyer hereunder (with the exception of membranes, seals, gaskets, elastomer materials, coatings and other "wear parts" or consumables all of which are not warranted except as otherwise provided in the quotation or sales form) will be (i) be built in accordance with the specifications referred to in the quotation or sales form, if such specifications are expressly made a part of this Agreement, and (ii) free from defects in material and workmanship for a period of one (1) year from the date of installation or twelve (12) months from the date of shipment (which date of shipment shall not be greater than eighteen (18) months after receipt of notice that the goods are ready to ship), whichever shall occur first, unless a longer period is specified in the product documentation (the "Warranty").

Except as otherwise required by law, Seller shall, at its option and at no cost to Buyer, either repair or replace any product which fails to conform with the Warranty provided Buyer gives written notice to Seller of any defects in material or workmanship within ten (10) days of the date when any defects or non-conformance are first manifest. Under either repair or replacement option, Seller shall not be obligated to remove or pay for the removal of the defective product or install or pay for the installation of the replaced or repaired product and Buyer shall be responsible for all other costs, including, but not limited to, service costs, shipping fees and expenses. Seller shall have sole discretion as to the method or means of repair or replacement. Buyer's failure to comply with Seller's repair or replacement directions shall terminate Seller's obligations under this Warranty and render the Warranty void. Any parts repaired or replaced under the Warranty are warranted only for the balance of the warranty period on the parts that were repaired or replaced. Seller shall have no warranty obligations to Buyer with respect to any product or parts of a product that have been: (a) repaired by third parties other than Seller or without Seller's written approval; (b) subject to misuse, misapplication, neglect, alteration, accident, or physical damage; (c) used in a manner contrary to Seller's instructions for installation, operation and maintenance; (d) damaged from ordinary wear and tear, corrosion, or chemical attack; (e) damaged due to abnormal conditions, vibration, failure to properly prime, or operation without flow; (f) damaged due to a defective power supply or improper electrical protection; or (g) damaged resulting from the use of accessory equipment not sold or approved by Seller. In any case of products not manufactured by Seller, there is no warranty from Seller; however, Seller will extend to Buyer any warranty received from Seller's supplier of such products.

THE FOREGOING WARRANTY IS EXCLUSIVE AND IN LIEU OF ANY AND ALL OTHER EXPRESS OR IMPLIED WARRANTIES, GUARANTEES, CONDITIONS OR TERMS OF WHATEVER NATURE RELATING TO THE GOODS PROVIDED HEREUNDER, INCLUDING WITHOUT LIMITATION ANY IMPLIED WARRANTIES OF MERCHANTABILITY AND FITNESS FOR A PARTICULAR PURPOSE, WHICH ARE HEREBY EXPRESSLY DISCLAIMED AND EXCLUDED. EXCEPT AS OTHERWISE REQUIRED BY LAW, BUYER'S EXCLUSIVE REMEDY AND SELLER'S AGGREGATE LIABILITY FOR BREACH OF ANY OF THE FOREGOING WARRANTIES ARE LIMITED TO REPAIRING OR REPLACING THE PRODUCT AND SHALL IN ALL CASES BE LIMITED TO THE AMOUNT PAID BY THE BUYER FOR THE DEFECTIVE PRODUCT. IN NO EVENT SHALL SELLER BE LIABLE FOR ANY OTHER FORM OF DAMAGES, WHETHER DIRECT, INDIRECT, LIQUIDATED, INCIDENTAL, CONSEQUENTIAL, PUNITIVE, EXEMPLARY OR SPECIAL DAMAGES, INCLUDING BUT NOT LIMITED TO LOSS OF PROFIT, LOSS OF ANTICIPATED SAVINGS OR REVENUE, LOSS OF INCOME, LOSS OF BUSINESS, LOSS OF PRODUCTION, LOSS OF OPPORTUNITY OR LOSS OF REPUTATION.



Xylem Inc.
2881 East Bayard Street Ext., Suite A
Seneca Falls, NY 13148
Phone: (800) 453-6777
Fax: (888) 322-5877
www.xylem.com/goulds

Goulds is a registered trademark of Goulds Pumps, Inc. and is used under license.
© 2022 Xylem Inc. IM010 Revision Number 11 May 2022



Modelos 3656 y 3756

INSTRUCCIONES DE INSTALACIÓN, FUNCIONAMIENTO Y MANTENIMIENTO



INFORMACIÓN DEL PROPIETARIO

Por favor anote los siguientes datos y entregue el manual al dueño de casa. Encontrará información sobre garantía en la página 28.

Número de modelo: _____

Número de serie: _____

Comercio donde se adquirió: _____

Teléfono del comercio: _____

Fecha de compra: _____ Fecha de instalación: _____

ÍNDICE

TÓPICO	PÁGINA
Instrucciones de seguridad	16
Descripción y especificaciones.....	16
Datos de ingeniería	16
Instalación	16
Ubicación	16
Bombas de acoplamiento corto	16
Bombas de montaje en bastidor	17
Bombas accionadas por motor SAE.....	17
Alineación del acoplamiento	20
Bombas de montaje en bastidor únicamente.....	20
Tuberías.....	20
Succión	20
Descarga	21
Cableado y puesta a tierra.....	21
Rotación	21
Operación.....	21
Mantenimiento	22
Desarmado	22
Reensamblaje	23
Instrucciones para la caja prensaestopas	24
Guía de identificación y resolución de problemas....	25
Partes de repuesto	26
Garantía limitada.....	28

INSTRUCCIONES DE SEGURIDAD

PARA EVITAR LESIONES PERSONALES GRAVES O FATALES Y SERIOS DAÑOS MATERIALES, LEA Y SIGA TODAS LAS INSTRUCCIONES DE SEGURIDAD EN EL MANUAL Y EN LA BOMBA.



Este es un **SÍMBOLO DE ALERTA** relacionado con la seguridad. Cuando encuentre este símbolo en la bomba o en el manual, busque una de las siguientes palabras de advertencia y esté alerta a las potenciales lesiones personales o daños materiales.



Advierte sobre peligros que **CAUSARÁN** lesiones personales graves, muerte o daños materiales mayores.



Advierte sobre peligros que **PUEDEN** causar lesiones personales graves, muerte o daños materiales mayores.



Advierte sobre peligros que **PUEDEN** causar lesiones personales o daños materiales.

ATENCIÓN: INDICA QUE A CONTINUACIÓN ENCONTRARÁ INSTRUCCIONES ESPECIALES MUY IMPORTANTES, LAS CUALES DEBE OBSERVAR.

ESTE MANUAL HA SIDO CREADO COMO UNA GUÍA PARA LA INSTALACIÓN Y OPERACIÓN DE LA UNIDAD. REPASE EN DETALLE TODAS LAS INSTRUCCIONES Y ADVERTENCIAS ANTES DE REALIZAR CUALQUIER TRABAJO EN ESTA BOMBA. CONSERVE TODAS LAS CALCOMANÍAS DE SEGURIDAD.

ATENCIÓN: INSPECCIONE LA UNIDAD E INFORME INMEDIATAMENTE AL TRANSPORTISTA DE CUALQUIER DAÑO QUE ENCUENTRE.



ESTA UNIDAD NO HA SIDO DISEÑADA PARA OPERAR CON LÍQUIDOS PELIGROSOS O GASES INFLAMABLES.



Este puede exponerlo a químicos, incluido el plomo, reconocidos por el estado de California por provocar cáncer y defectos del nacimiento u otros daños reproductivos. Para obtener más información, acceda a: www.P65Warnings.ca.gov.

DESCRIPCIÓN Y ESPECIFICACIONES

Las bombas de la serie 3656/3756 son bombas centrífugas de una etapa con succión en el extremo, para la transferencia general de líquidos, aplicaciones de refuerzo, riego y servicios generales de bombeo. Están disponibles en tres materiales distintos: todo hierro, con accesorios de bronce o todo bronce (grupo "S" únicamente).

Los impulsores de la bomba están completamente encerrados, son accionados por chaveta y se mantienen en posición con un perno y una arandela. Las carcasas tienen diseño de voluta completa con anillos de desgaste reemplazables.

Dependiendo del tamaño de la bomba, las conexiones de succión y descarga son roscadas o con bridas. Los ejes están protegidos por camisas de acero inoxidable.

Las unidades de acoplamiento corto tienen motores NEMA

JM o JP estándar con montaje en cara C y extensión del eje accionado por chaveta. Las unidades con accionamiento SAE se sujetan con pernos directamente a la cubierta del volante del motor en los modelos de tamaño SAE 1, 2, 3, 4 y 5. Para los volantes de 6½, 7½, 8, 10, 11½ y 14 pulgadas, hay disponibles elementos elastómeros para acoplamiento. Las unidades para montaje en bastidor se pueden acoplar a motores a través de un acoplamiento espaciador, o pueden ser accionadas por correa.

DATOS DE INGENIERÍA

Temperatura máxima del líquido:

212°F (100°C) - sello o empaque estándar

250°F (120°C) - sello de alta temperatura opcional

Presión máxima de trabajo (dependiendo de la temperatura del fluido):

- conexiones NPT, 200 PSI (1379 kPa)

- conexiones con brida ANSI de 125 lbs., 200 PSI (1379 kPa)

Presión máxima de succión: 100 PSI (689.5 kPa)

Arranques por hora: 20, distribuidos uniformemente

Grupo	Tamaño	Succión	Descarga
S	1½ x 2-6 (H)	2" NPT	1½" NPT
	1 x 2-7	2" NPT	1" NPT
	2½ x 3-7	3" NPT	2½" NPT
	3 x 4-7	4" Brida	3" Brida
	1 x 2-8	2" NPT	1" NPT
	1½ x 2-8	2" NPT	1½" NPT
LH	2 x 2-5	2" NPT	2" NPT
	2½ x 2½-5	2½" NPT	2½" NPT
	3 x 3-5	3" NPT	3" NPT
	4 x 4-5	4" Brida	4" Brida
	5 x 5-6	5" Brida	5" Brida
M	2½ x 3-8	3" NPT	2½" NPT
	3 x 4-8	4" Brida	3" Brida
	4 x 5-8	5" Brida	4" Brida
	1½ x 2-10	2" NPT	1½" NPT
	2½ x 3-10	3" Brida	2½" Brida
	3 x 4-10	4" Brida	3" Brida
	4 x 6-10	6" Brida	4" Brida
	2½ x 3-13	3" Brida	2½" Brida
	3 x 4-13	4" Brida	3" Brida
	4 x 6-13	6" Brida	4" Brida
	6 x 8-13	8" Brida	6" Brida
L	8 x 10-13	10" Brida	8" Brida
	4 x 6-16	6" Brida	4" Brida

INSTALACIÓN



LA INSTALACIÓN DE LA BOMBA DEBE INCLUIR UN DRENAJE ADECUADO O ESTAR UBICADA DE MANERA TAL QUE OTROS EQUIPOS O LA PROPIEDAD NO RESULTEN DAÑADOS EN CASO DE QUE SE PRODUZCA ALGUNA FUGA. LA BOMBA NO DEBE INSTALARSE POR ENCIMA DE LOS EQUIPOS O DE LA PROPIEDAD A MENOS QUE SE PROPORCIONE UN DRENAJE ADECUADO. SI IGNO-RA ESTA ADVERTENCIA, PUEDE PROVOCAR DAÑOS A LA PROPIEDAD.



SI AJUSTA DEMASIADO LOS SUJETADORES DE LA CARCASA, PODRÍA DAÑAR EL SUJETADOR Y PROVOCAR FUGAS Y DAÑOS A LA PROPIEDAD.

UBICACIÓN

- Ubique la bomba tan cerca de la fuente de líquido como resulte práctico y por debajo del nivel del líquido para permitir el cebado automático.
- Deje suficiente espacio para ventilación y tareas de mantenimiento. Proteja la unidad de las inclemencias del tiempo y daños causados por lluvias, inundaciones o temperaturas bajo cero.

- Proteja la bomba y las cañerías de temperaturas bajo cero.
- Deje suficiente espacio alrededor de la unidad para ventilación y tareas de mantenimiento.

BOMBAS DE ACOPLAMIENTO CORTO

- Estas unidades se pueden instalar en forma horizontal, inclinada o vertical con el motor sobre la bomba.
- Los pies del motor **DEBEN** abulonarse a una superficie resistente (horizontal o vertical) que sea capaz de brindar un soporte completo y rígido para la bomba y el motor. Para las bombas del grupo L, los pies del adaptador del motor también deben estar abulonados a la superficie de apoyo.
- Para la operación vertical, el motor debe equiparse con una cubierta antigoteo o protegerse de alguna otra manera para evitar que entre líquido (lluvia, rociado, condensación, etc.).

ATENCIÓN: NO INSTALE EL MOTOR POR DEBAJO DE LA BOMBA. CUALQUIER PÉRDIDA O CONDENSACIÓN AFECTARÁ AL MOTOR.

BOMBAS DE MONTAJE EN BASTIDOR

- Se **DEBE** proveer una superficie de base substancial para evitar la distorsión o la tensión al ajustar los bulones de la base de montaje. Se puede utilizar un montaje de caucho para reducir el ruido y la vibración excesiva.
- Ajuste los pernos de sujeción del motor **ANTES** de conectar la tubería a la bomba.

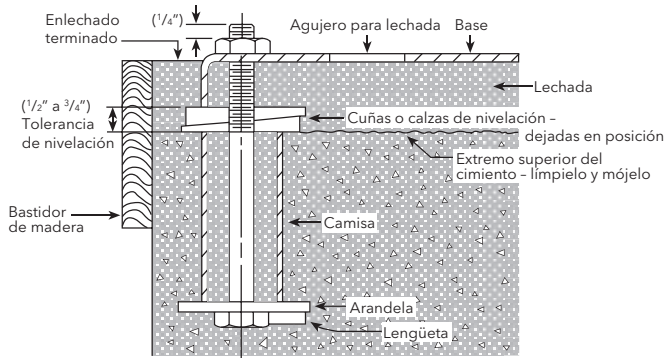


Figura 1

- Se recomienda enlechar la placa de base a un cemento con zapata sólida. Consulte la figura 1.
- Coloque la unidad en posición sobre cuñas ubicadas en las cuatro puntas, dos debajo del centro aproximado del motor accionador y dos debajo del centro aproximado de la bomba. Ajuste las cuñas para nivelar la unidad. Nivele o verifique con plomada las conexiones de succión y descarga.
- Asegúrese de que la placa de base no está distorsionada y que la alineación final del acoplamiento se puede efectuar dentro de los límites de movimiento del motor, con la ayuda de cuñas si fuera necesario.
- Ajuste los pernos de la base con la mano y construya una presa alrededor de la base. Vierta la lechada debajo de la placa de base asegurándose de llenar completamente las áreas debajo de los pies del motor y de la bomba. Deje endurecer la lechada por 48 horas antes de ajustar completamente los pernos de la base.
- Ajuste los bulones de sujeción de la bomba y el motor antes de alinear el eje o conectar la cañería a la bomba.
- Deje endurecer la lechada por 48 horas antes de ajustar los 4 pernos de la base.

BOMBAS ACCIONADAS POR MOTOR SAE

La caja de cojinetes del motor de accionamiento SAE está diseñada para sujetarla directamente a la cubierta del motor para los montajes SAE tamaño 1, 2, 3, 4 y 5. La extensión del eje de la

bomba es del tamaño apropiado para acoplamientos abulonados directamente al volante. Goulds Water Systems ofrece acoplamientos opcionales para los volantes de 6½, 7½, 8, 10 y 14 pulgadas. Si bien se pueden utilizar otros acoplamientos de montaje en el volante, recomendamos el uso de los acoplamientos de Goulds Water Systems para asegurar la operación prolongada y sin inconvenientes de la bomba.

REQUISITOS PARA UNA CORRECTA OPERACIÓN

Extremo de la bomba

Cuando se libere la capacidad requerida (GPM) a la tubería del sistema, la bomba deberá añadir la cantidad de Altura requerida por el sistema a tal capacidad. El punto de capacidad de altura de operación debe encontrarse lo más cerca posible a la mayor línea de rendimiento que se muestra en la curva de desempeño, y debe encontrarse por debajo de la línea de capacidad de altura indicada como "máxima" RPM. La máxima velocidad de operación RPM para la bomba se encuentra determinada por la antigüedad del cojinete o, en ciertos casos, por los límites de presión de la bomba. Las aberturas de succión y descarga tienen roscas NPT para tuberías estándar, o recubiertas y taladradas según norma ANSI B16.1, clase 125 para bridas estándar de acuerdo con lo indicado. La presión máxima de trabajo para el hierro fundido clase 30, según la norma ANSI B16.1, es 175 PSI.

Los motores de combustión interna son de velocidad variable y de potencia variable. La salida de potencia depende de la velocidad del motor (RPM) y se reducirá al operar la altitud y/o los aumentos de la temperatura aérea. Cuando se acciona la bomba a las RPM requeridas para distribuir el agua en la tubería del sistema, el motor debe operar dentro de los límites mínimos y máximos de RPM establecidos por el fabricante del motor. Luego de la reducción de la potencia nominal de todos los accesorios del motor que consumen energía y el ajuste de la altitud y la temperatura aérea del sitio de instalación, la salida de potencia que suministra la potencia demandada por la bomba no debe exceder la potencia nominal continua del motor.

CALIBRACIÓN DEL GRUPO DE ENGRANAJES CONDUCTORES (BHP)

La ecuación para obtener el BHP es: $(\text{Flujo} \times \text{TDH}) / 3960 \times \text{Rendimiento}$.

Nota: Para las unidades de combustión interna el cálculo del BHP debe disminuirse de acuerdo con las siguientes condiciones:

- 20% por servicio continuo
- 5% por accionamiento de ángulo recto
- 3% por cada 1.000 pies sobre el nivel del mar
- 1% por cada 10° F sobre 60° F.

CALIBRACIÓN DEL GRUPO DE ENGRANAJES CONDUCTORES (TORQUE)

Además de la calibración de un motor por BHP, también se requieren cálculos de torque para una correcta calibración. Generalmente, la potencia y el torque nominal no mantienen la misma relación durante el rango utilizable de un motor diesel (Figura 2). La ecuación para obtener el torque (libras/pies) es $(5250 \times \text{BHP}) / \text{RPM}$.

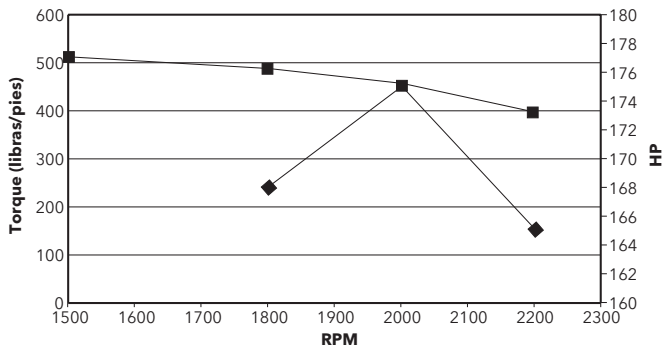


Figura 2: HP (◆) vs. Torque (■)

VERIFIQUE LA COINCIDENCIA DEL EXTREMO DE LA BOMBA Y EL MOTOR

Tamaño de la abrazadera SAE

A las bombas accionadas por motor se les pueden colocar motores que poseen desde una cubierta del volante estándar SAE 5 hasta una SAE 1.

En el caso de un motor nuevo, el proveedor del motor puede suministrar el número de cubierta SAE.

En el caso de un motor existente, puede medir el orificio de la cubierta del volante y la circunferencia de los agujeros de los pernos y luego compararlos con las dimensiones estándar de cubierta SAE detalladas en la Tabla 1, para identificar el número de cubierta SAE.

Mida el orificio de la cubierta del volante (A) y la circunferencia de los agujeros de los pernos (B), con la mayor precisión posible, con una cinta métrica (a la medida más cercana a 1/32 pulgada).

- Cuente la cantidad de orificios roscados en la cubierta del volante (C). Pruebe los orificios roscados con un perno, para determinar la serie de rosca.
- Compare las dimensiones tomadas (A), (B), (C) con la Tabla 1 para determinar el número SAE de la cubierta del volante, para asegurarse de que coincida con el número SAE de su bomba.

Dimensiones de la cubierta del volante	Tamaño de la cubierta del volante SAE					
	1	2	3	4	5	
A	20 $\frac{1}{8}$	17 $\frac{5}{8}$	16 $\frac{1}{8}$	14 $\frac{1}{4}$	12 $\frac{3}{8}$	
B	20 $\frac{7}{8}$	18 $\frac{3}{8}$	16 $\frac{3}{8}$	15	13 $\frac{1}{8}$	
C	Nº	12	12	12	12	8
	Tamaño	$\frac{7}{16}$ -14	$\frac{3}{8}$ -16	$\frac{3}{8}$ -16	$\frac{3}{8}$ -16	$\frac{3}{8}$ -16

Tabla 1

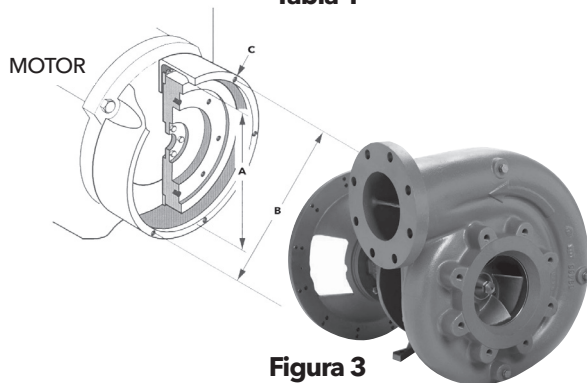


Figura 3

INSTALACIÓN

NOTA: Cuando el acoplamiento se encuentre correctamente montado, el buje no llegará al fondo en las ranuras del eje. Si toca fondo, retraiga el acoplamiento en el eje según se muestra, para ganar espacio.

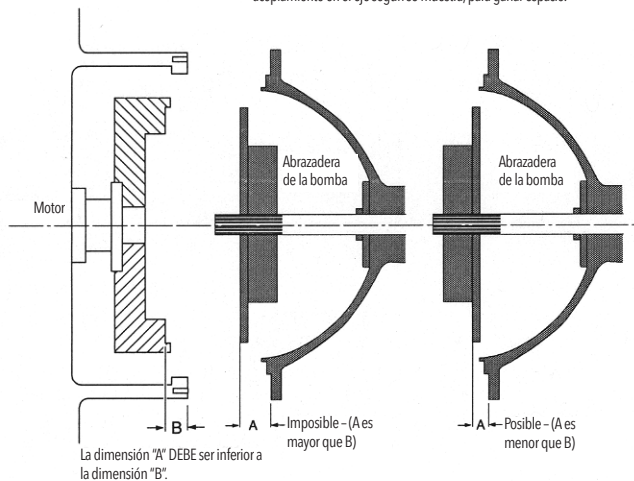


Figura 4

- La bomba se puede instalar en posición horizontal, con la descarga girada hacia cualquier posición permitida por el patrón de los pernos de la carcasa (13). Se recomienda que la descarga se encuentre en posición horizontal, por encima de la succión.
- En todas las bombas la carcasa debe estar sostenida por un soporte rígido sujeto al cimiento o base de la unidad.
- Para las bombas del grupo M, se recomienda que dicho soporte se sujete con 2 o más pernos de la carcasa (13) al anillo adaptador del motor. Probablemente se requieran pernos más largos para el grosor adicional del soporte. Utilice pernos SAE grado 5, torsionados según se indica en este manual.
- Para las bombas del grupo L, se recomienda que la bomba se apoye debajo de los dos pies fundidos en el adaptador del motor (3). Dichos pies deben sujetarse con pernos al soporte.

MONTAJE DE LA BOMBA SOBRE EL MOTOR (ACOPAMIENTO RANURADO)

Preparación para el montaje de la bomba sobre el motor

- Limpie la superficie y controle que coincidan la cubierta del volante y el volante según sea necesario para quitar toda la grasa, suciedad o polvo (y todos los rastros de antioxidante), que interferirían en la instalación de la bomba y/o impedirían la correcta alineación. Si el volante se coloca mediante un cojinete piloto para un eje de transmisión, quítelo y deséchelo. No se necesita el cojinete piloto para la instalación del extremo de la bomba, y puede interferir con el eje de la bomba.
- Examine detenidamente la ranura del eje. Utilice una lima, si es necesario, para quitar toda la rebaba que impediría el libre desplazamiento del acoplamiento sobre el eje.
- Lubrique moderadamente la ranura del eje de la bomba con grasa liviana. No lubrique el eje recto con chaveta.
- Deslice el acoplamiento sobre el eje hasta que se detenga contra el eje (remítase a la página 5 para la instalación del eje recto).
- Mida la distancia existente desde el lado del motor del anillo adaptador de acoplamiento del volante hasta la superficie de montaje de la abrazadera de la bomba. Remítase a la Figura 4 debajo, **Dimensión "A"**.
- Luego, mida la profundidad existente desde la superficie de la cubierta del volante sobre el motor hasta la superficie del volante contra la cual se colocará con pernos el acoplamiento. Remítase a la Figura 4 debajo, **Dimensión "B"**.
- La medición de la bomba debe ser inferior a la medición del motor porque sino la interferencia axial producirá

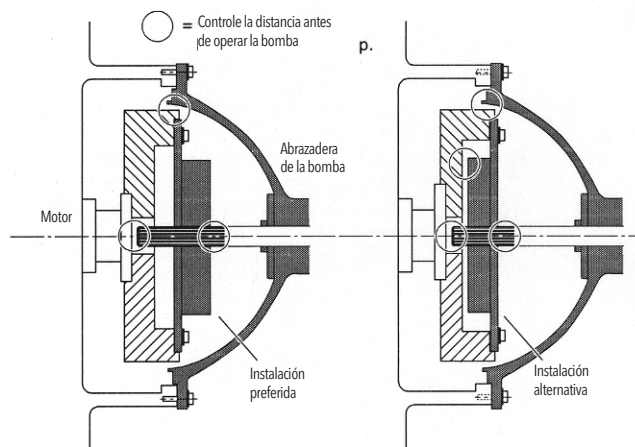


Figura 5

una fuerza de empuje sobre los cojinetes de cigüeñal del motor. Dicho de manera simple, la Dimensión "A" debe ser inferior a la **Dimensión "B"**.

ACOPLAMIENTO DEL VOLANTE

- El acoplamiento del volante transmite la potencia desde el volante del motor hasta el eje de la bomba. El máximo de potencia que un acoplamiento puede manejar sin peligros se demuestra en un número nominal, "R", que se detalla en las tablas de dimensiones de acoplamiento.
- Al escoger un acoplamiento del volante para una bomba y un motor, primero determine la potencia nominal que la bomba demandará. En la curva de desempeño de la bomba, obtenga los valores de RPM y BHP necesarios para producir el punto de aplicación de la capacidad de altura.
- Divida el BHP por EL RPM, luego multiplique el resultado por 100. El resultado será el número de demanda de la bomba. Por ejemplo, una 20BFSAE1AO puede liberar 800 GPM a 270 pies de Altura total mientras funciona a 1800 RPM. La potencia requerida por la bomba será de 75 BHP. El número de demanda será: $(75 / 1800) \times 100 = 4.16$
- Luego, seleccione un acoplamiento que pueda transmitir sin peligros la potencia y que se adecuará a las dimensiones del volante. Para que un acoplamiento resulte adecuado debe poseer un número nominal "R" MAYOR QUE el número de demanda de la bomba. En el ejemplo anterior, el mínimo número "R" de acoplamiento sería 5.
- La compatibilidad de torsión del motor, la bomba y el acoplamiento es responsabilidad de quien realiza el montaje. Goulds Water Systems suministrará los datos necesarios sobre la bomba y el acoplamiento para ser utilizados por quien realiza el montaje en un análisis torsional.

NOTA: Si el volante se coloca con un cojinete piloto presionado en un orificio en el centro, quítelo para evitar la interferencia con el eje de la bomba.

VOLANTE PARA EMBRAGUES DE SOBRECENRO DE TIPO INDUSTRIAL

- La Figura 3 muestra la apariencia ahuecada de los volantes fabricados para ser utilizados en montajes de despegue propulsados con embragues de sobrecenro.
- Dichos volantes poseerán un orificio empotrado mecanizado en la superficie, y un conjunto de agujeros de colada, que serán utilizados para conectar el acoplamiento al volante. Las dimensiones se encuentran determinadas por el estándar SAE y se detallan en las Tabla 1A y 1B, Figura 3. El "tamaño del embrague" que se muestra en la tabla es el diámetro nominal del recubrimiento del embrague para Embragues de sobrecenro con anillo de accionamiento.

OTROS VOLANTES

- Ciertos motores están equipados con volantes especialmente mecanizados para acoplarse a otros tipos de maquinaria (generadores eléctricos, convertidores de torque, etc.) y necesitan de acoplamientos de volante que no sean estándar. Estos pueden adquirirse por medio de vendedores o proveedores.

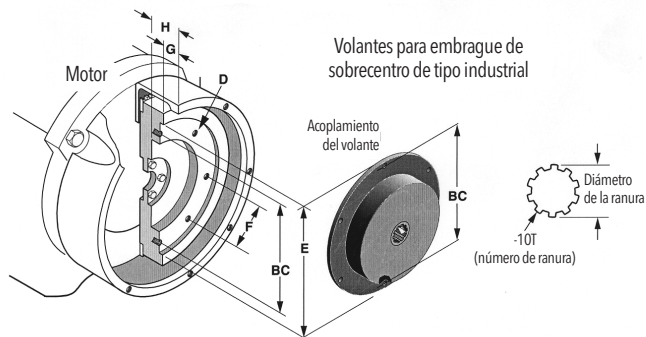


Figura 6

Tabla IA - Rango amplio de RPM, Buje montado elastomérico - Eje ranurado

Tamaño del embrague	Dimensiones del volante							Acoplamiento del volante (Ranurado)		
	D		E	BC	F	G	H	R*	N° del Catálogo	diám. de la ranura del eje
	Cant.	Tamaño (UNC)								
6 1/2"	6	5/16-18	8 1/2" OD	7.88	3.94	1.19	1.69	7	A00569C 1	1 1/2" 10T
7 1/2"	8	5/16-18	9 1/2" OD	8.75	3.69	1.19	1.69	7	A00569C 2	1 1/2" 10T
8"	6	3/8-16	10 3/8" OD	9.62	4.81	2.44	2.94	7	A00569C 3	1 1/2" 10T
10"	8	3/8-16	12 3/8" OD	11.62	4.47	2.13	2.75	7	A00569C 4	1 1/2" 10T
10"	8	3/8-16	12 3/8" OD	11.62	4.47	2.13	2.75	9	A00569C 6	1 1/2" 10T
11 1/2"	8	3/8-16	13 3/8" OD	13.12	5.06	1.56	2.69	7	A00569C 5	1 1/2" 10T
11 1/2"	8	3/8-16	13 3/8" OD	13.12	5.06	1.56	2.69	9	A00569C 7	1 1/2" 10T
14"	8	1/2-13	18 3/8" OD	17.25	6.63	1.00	2.13	9	A00569C 8	1 1/2" 10T

OD = Diámetro exterior

*R = Máxima potencia nominal del acoplamiento

Potencia nominal del acoplamiento = (Potencia Nominal x 100) / RPM nominal

Table IB - Rango amplio de RPM, Buje montado elastomérico - Eje recto

Tamaño del embrague	Dimensiones del volante							Acoplamiento del volante (Ranurado)		
	D		E	BC	F	G	H	R*	N° del Catálogo	diám. de la ranura del eje
	Cant.	Tamaño (UNC)								
6 1/2"	6	5/16-18	8 1/2" OD	7.88	3.94	1.19	1.69	2.28	CD616	1.625-1.624 Ø Ranura de 3/8 x 3/16
								3.51	CD625	
7 1/2"	8	5/16-18	9 1/2" OD	8.75	3.69	1.19	1.69	2.28	CD716	
								3.51	CD725	
8"	6	3/8-16	10 3/8" OD	9.62	4.81	2.44	2.94	2.28	CD816	
								3.51	CD825	
10"	8	3/8-16	12 3/8" OD	11.62	4.47	2.13	2.75	2.28	CD1016	
								3.51	CD1025	
								5.71	CD1030	
								8.57	CD1050	
11 1/2"	8	3/8-16	13 3/8" OD	13.12	5.06	1.56	2.69	11.23	CD1080	
								2.28	CD1116	
								3.51	CD1125	
								5.71	CD1130	
								8.57	CD1150	
14"	8	3/8-16	18 3/8" OD	17.25	6.63	1.00	2.13	11.23	CD1180	
								12.62	CD1190	
								16.85	CD11110H	
								2.28	CD1416	
								3.51	CD1425	
								5.71	CD1430	
8.57	CD1450									
14"	8	3/8-16	18 3/8" OD	17.25	6.63	1.00	2.13	11.23	CD1480	
								12.62	CD1490	
14"	8	3/8-16	18 3/8" OD	17.25	6.63	1.00	2.13	16.85	CD14110H	

OD = Diámetro exterior

Dimensiones en pulgadas

*R = Máxima potencia nominal del acoplamiento

Potencia nominal del acoplamiento = (Potencia Nominal x 100) / RPM nominal

- Para los acoplamientos Goulds Water Systems con chaveta de eje recto - Asegúrese de que el tornillo de

fijación del rodete de acoplamiento se encuentre lo suficientemente retraído como para asegurar espacio para la chaveta del eje durante el montaje.

- Monte el ensamblaje de acoplamiento en el volante del motor utilizando los pernos suministrados, ajustándolos en zigzag de la siguiente manera:

Volante de 6½ ó 7½" - 11 libras-pie (15 N·m)

Volante de 8, 10 o 11½" - 20 libras-pie (27 N·m)

Volante de 14" - 50 libras-pie (68 N·m)

(Para otros acoplamientos, respete el procedimiento de instalación recomendado por sus fabricantes.)

- Coloque la chaveta del eje de la bomba en el eje (122) y alinee el eje con el acoplamiento. Deslice la bomba dentro del acoplamiento hasta que el anillo adaptador del motor (340) esté en contacto con la cubierta del volante del motor.

INSTALACIÓN DEL ACOPLAMIENTO EN EL VOLANTE

Acoplamiento del volante de sobrecentro:

- Estos acoplamientos se encuentran alineados en forma concéntrica con el volante mediante el montaje de registro del volante.
- Asegúrese de quitar todos los protectores del volante del motor.
- Coloque el acoplamiento dentro del volante. Alinee los agujeros de los pernos y conecte el acoplamiento con el montaje de registro en el volante. Golpee ligeramente el acoplamiento con un martillo pesado dúctil, si es necesario, para asegurarse que se encuentra aplastado contra el volante. Asegure fuertemente el acoplamiento al volante con tornillos tipo "capscrew" y arandela de presión.

INSTALACIÓN DE LA BOMBA EN EL MOTOR

- Eleve la bomba utilizando un aparato de elevación adecuado y alinee el eje de la bomba con el acoplamiento. El extremo del eje de la bomba posee un diámetro piloto que facilita el encaje del eje de la bomba en el acoplamiento.
- Introdúzcalo en la abertura de succión de la bomba y gire el impulsor ligeramente hasta que el eje se conecte con el acoplamiento. Verifique que no existan espacios entre las superficies de la abrazadera y la cubierta del volante. Gire la bomba lo necesario para alinear los agujeros de la abrazadera con el motor. Instale los tornillos tipo "capscrew" y sujete con pernos el extremo de la bomba al motor.

NOTA: Si se detectara alguna interferencia o incompatibilidad de las partes durante la instalación, NO prosiga con el montaje. Notifi que el problema al distribuidor de Goulds Water Systems más cercano.

- Monte la bomba en el motor utilizando los pernos y arandelas de seguridad provistos y ajústelos en zigzag como sigue:
SAE No. 2, 3, 4, 5 - 20 libras-pie (27 N . m)
SAE No. 1 - 50 libras-pie (68 N . m)
- Instale los protectores de acoplamiento (501N).
- Sujete con pernos el adaptador del motor (3) al soporte rígido descrito anteriormente.

ALINEACIÓN DEL ACOPLAMIENTO



EL NO DESCONECTAR Y BLOQUEAR LA ALIMENTACIÓN ELÉCTRICA ANTES DE INTENTAR TAREAS DE MANTENIMIENTO PUEDE CAUSAR LESIONES PERSONALES GRAVES.

BOMBAS DE MONTAJE EN BASTIDOR ÚNICAMENTE

- Se **DEBE** controlar la alineación antes de operar la bomba. Observe la figura 7.

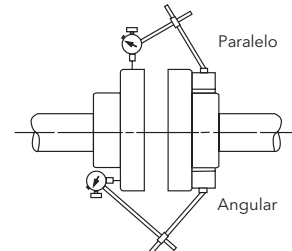


Figura 7

- Ajuste todos los bulones de sujeción antes de verificar la alineación.
- Si fuera necesario realinear, mueva siempre el motor. Coloque planchas de relleno según sea necesario.
- Desalineación paralela, ejes con línea de centro paralela pero no concéntrica. Coloque el indicador de dial en un rodete y haga girar el rodete 360° mientras registra las lecturas en el diámetro exterior del otro rodete. La alineación paralela se logra cuando la lectura es 0.010 pulg. (0.254 mm) TIR o menos.
- Desalineación angular, ejes con línea de centro concéntrica pero no paralela. Coloque el indicador de dial en un rodete y haga girar el rodete 360° mientras registra las lecturas en la cara del otro rodete. La alineación angular se alcanza cuando la lectura es 0.020 pulg. (0.508 mm) TIR o menos.
- La alineación final se alcanza cuando se satisfacen los requisitos paralelos y angulares con los bulones de sujeción del motor completamente ajustados.

ATENCIÓN: SIEMPRE VUELVA A VERIFICAR AMBAS ALINEACIONES LUEGO DE EFECTUAR CUALQUIER AJUSTE MECÁNICO.

TUBERÍAS

- La tubería no debe ser menor que las conexiones de succión y descarga de la bomba, y debe ser lo más corta posible. Evite conexiones innecesarias para minimizar las pérdidas por fricción. Observe la tabla 1.
- Toda la tubería **DEBE** estar soportada en forma independiente y **NO DEBE** existir ninguna carga de la tubería sobre la bomba.

ATENCIÓN: NO FUERCE LA TUBERÍA EN LAS CONEXIONES DE SUCCIÓN O DESCARGA.

- Todas las juntas de la tubería **DEBEN** ser herméticas.

TUBERÍA - SUCCIÓN

- Para elevaciones de succión de más de 10 pies (3 m) y líquidos con temperaturas de más de 120° F (49° C), consulte la curva de desempeño de la bomba para la carga de succión positiva neta requerida (NPSH_R).
- Si es necesario utilizar un tamaño de tubería mayor que el tamaño de la succión de la bomba, se **DEBE** instalar un reductor de caño excéntrico (con el lado recto hacia arriba) en la succión de la bomba.
- Si la bomba se instala por debajo de la fuente de líquido, instale una válvula de aislamiento total de flujo en la succión de la bomba para tareas de inspección y mantenimiento.

ATENCIÓN: NO USE LA VÁLVULA DE AISLAMIENTO DE SUCCIÓN PARA AHOGAR LA BOMBA. DE HACERLO, PODRÍA OCASIONAR LA PÉRDIDA DE CEBADO, TEMPERATURAS EXCESIVAS O DAÑOS A LA BOMBA, Y ADEMÁS ANULARÁ LA GARANTÍA.

- Si la bomba se instala por encima de la fuente de líquido, se **DEBEN** seguir los siguientes pasos:
 - Para evitar baches de aire, ninguna sección de la tubería debe estar más elevada que la conexión de succión de la bomba.
 - Inclíne la tubería hacia arriba desde la fuente de líquido.
 - Utilice una válvula de pie o una válvula de retención **SÓLO** si fuera necesario para cebar la bomba o mantener el cebado durante el servicio intermitente.
 - La pantalla o campana de succión **DEBE** ser al menos 3 veces más grande que el diámetro de la tubería de succión.
 - Asegúrese de que el tamaño de la succión de entrada y la inmersión mínima de la succión de entrada sean suficientes para que no se produzca la entrada de aire a la bomba a causa de un arremolinamiento de succión. Consulte las figuras 8 a 11.

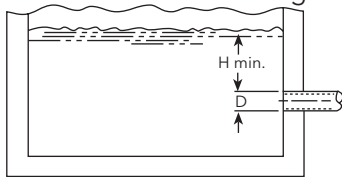


Figura 8

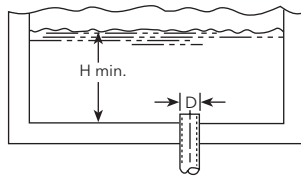


Figura 9

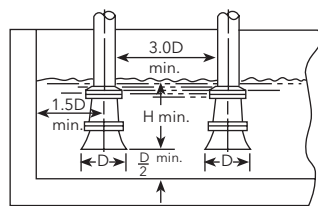


Figura 10

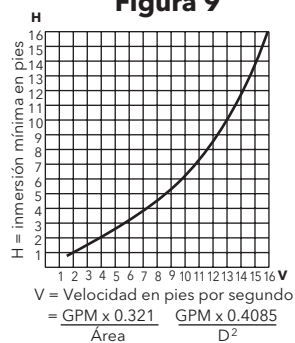


Figura 11

TUBERÍA - DESCARGA

- Instale una válvula de retención capaz de manejar el flujo, los líquidos y evitar el retroflujo. Después de la válvula de retención, instale una válvula de compuerta del tamaño apropiado para regular la capacidad de la bomba y realizar inspecciones y tareas de mantenimiento.
- Cuando sea necesario, se debe instalar un aumentador del caño entre la válvula de retención y la descarga de la bomba.

CABLEADO Y PUESTA A TIERRA



- ⚠ Instale el cableado y la puesta a tierra de acuerdo con los requisitos locales y al Código Eléctrico Nacional Requisitos.
- ⚠ Instale un interruptor de desconexión de todos los circuitos de alimentación eléctrica cerca de la bomba.
- ⚠ Desconecte y bloquee el suministro eléctrico antes de instalar la bomba o realizar tareas de mantenimiento.

- ⚠ El suministro eléctrico **DEBE** ser el que se especifica en la placa nominal de la bomba. Un voltaje incorrecto puede provocar un incendio, dañar el motor y anular la garantía.
- ⚠ Los motores sin protección incorporada **DEBEN** equiparse con contactores y protectores contra sobrecarga térmica si son monofásicos, o con arrancadores con calentadores si son trifásicos. Consulte la placa nominal del motor.

- Use únicamente cable de cobre para la conexión al motor y a tierra. El cable a tierra **DEBE** ser por lo menos del mismo tamaño que el cable al motor. Los cables deben estar codificados con colores para facilitar el mantenimiento.
- Siga cuidadosamente el diagrama de cableado indicado por el fabricante del motor en la placa nominal o en la tapa de la terminal.



SI LA BOMBA, EL MOTOR O LOS CONTROLES NO SE CONECTAN A TIERRA EN FORMA PERMANENTE ANTES DE CONECTAR LA ALIMENTACIÓN ELÉCTRICA, SE PUEDEN PRODUCIR DESCARGAS ELÉCTRICAS, QUEMADURAS Y HASTA LA MUERTE.

ROTACIÓN

ATENCIÓN: LA ROTACIÓN INCORRECTA PUEDE DAÑAR LA BOMBA Y ANULAR LA GARANTÍA.

- La rotación correcta es hacia la derecha, en el **SENTIDO DE LAS AGUJAS DEL RELOJ** cuando se mira desde el extremo del motor. En las unidades montadas en bastidor, encienda y apague la bomba rápidamente para observar la rotación. En las unidades de acoplamiento corto, retire el motor y el tapón o la cubierta para observar la rotación.
- Para invertir la rotación de un motor trifásico, intercambie dos conductores eléctricos cualesquiera.

OPERACIÓN



NO HAGA FUNCIONAR LAS UNIDADES SAE O LAS UNIDADES MONTADAS EN BASTIDOR SIN LAS PROTECCIONES DE SEGURIDAD CORRESPONDIENTES. DE HACERLO, PODRÍA SUFRIR GRAVES LESIONES PERSONALES.



SALPICAR O SUMERGIR EN FLUIDOS UN MOTOR ABIERTO A PRUEBA DE FILTRACIONES PUEDE PROVOCAR UN INCENDIO, UNA DESCARGA ELÉCTRICA, QUEMADURAS, O INCLUSO LA MUERTE.



EL FUNCIONAMIENTO SIN FLUJO O CON FLUJO MÍNIMO PUEDE CAUSAR TEMPERATURAS EXCESIVAS, LESIONES PERSONALES O DAÑOS MATERIALES.

ATENCIÓN: NO HAGA FUNCIONAR LA BOMBA EN SECO. DE HACERLO, SE DAÑARÁ EL SELLO.

- Luego de estabilizar el sistema en las condiciones normales de operación, verifique la tubería. Si fuera necesario, ajuste los soportes de la tubería.
- En las unidades de montaje en bastidor, la alineación del acoplamiento puede haber variado debido a las diferencias de temperatura entre la bomba y el motor. Vuelva a controlar la alineación siguiendo los procedimientos y advertencias de la sección **"ALINEACIÓN DEL ACOPLAMIENTO"** de este manual.

MANTENIMIENTO



EL NO DESCONECTAR Y BLOQUEAR LA ALIMENTACIÓN ELÉCTRICA ANTES DE INTENTAR TAREAS DE MANTENIMIENTO PUEDE CAUSAR DESCARGAS ELÉCTRICAS, QUEMADURAS E INCLUSO LA MUERTE.



SI NO SE LIBERA LA PRESIÓN Y SE DRENA EL SISTEMA ANTES DE INTENTAR TAREAS DE MANTENIMIENTO, SE PUEDEN PRODUCIR DAÑOS MATERIALES Y LESIONES PERSONALES, INCLUYENDO LA MUERTE.



SI SE BOMBEO FLUIDOS TÓXICOS O PELIGROSOS, EL SISTEMA DEBE LAVARSE COMPLETAMENTE CON UNA DESCARGA DE AGUA ANTES DE REALIZAR TAREAS DE MANTENIMIENTO.

BOMBAS DE ACOPLAMIENTO CORTO

- Los cojinetes están ubicados en el motor y forman parte del mismo. Para obtener información sobre lubricación, consulte las instrucciones del fabricante del motor.

BOMBAS DE MONTAJE EN BASTIDOR

- El modelo 3756 del grupo S cuenta con cojinetes engrasados de por vida. No es posible lubricarlos, y tampoco es necesario.
- La caja de cojinetes del modelo 3756 de los grupos M y L y de accionamiento SAE debe ser lubricada cada 2000 horas o cada 3 meses, lo que se presente primero. Use grasa con base de litio o sodio No. 2. Llene hasta que la grasa salga por los accesorios de alivio o los sellos, luego limpie la grasa excesiva.
- Siga las instrucciones de lubricación del fabricante del motor y el acoplamiento.
- Verifique nuevamente la alineación.

SERVICIO REGULAR

- Para **RETIRAR** la bomba del servicio, saque el tapón de drenaje y drene toda la tubería no protegida.
- Para **VOLVER A PONER** la bomba en servicio, vuelva a colocar el tapón de drenaje utilizando cinta de Teflon™ o equivalente en las roscas macho.
- Reconecte la línea de succión si ha sido desconectada, inspeccione la unión y repare si fuera necesario.
- Consulte la sección **"OPERACIÓN"** del manual.

DESARMADO

- Observe **TODAS** las instrucciones y advertencias de la sección **"MANTENIMIENTO"** de este manual.
- Unidades de acoplamiento corto: Retire los bulones de sujeción del motor.
- Unidades montadas en bastidor: Retire los bulones de sujeción del protector de acoplamiento, espaciador, acoplamiento y bastidor.

EXTREMO DEL LÍQUIDO

1. Retire los bulones de la carcasa (13).

2. Retire de la carcasa el conjunto posterior retractable (1).
3. Retire el anillo de desgaste de la carcasa (4) si se encuentra muy gastado.

ATENCIÓN: NO INSERTE UN DESTORNILLADOR ENTRE LAS ALETAS DEL IMPULSOR PARA EVITAR LA ROTACIÓN.

4. En las unidades de acoplamiento corto, retire el tapón o cubierta del extremo del motor para dejar a la vista las partes planas o ranuras para el destornillador en el extremo del eje del motor.
5. Mientras inmoviliza el eje con una herramienta apropiada (unidades de acoplamiento corto) o con una llave de lengüeta (unidades de montaje en bastidor), retire el perno del impulsor (6). Puede ser necesario tener que calentar el perno del impulsor con una antorcha para poder retirarlo. Deséchelo.

ATENCIÓN: TENGA CUIDADO AL MANIPULAR EL PERNO CALIENTE DEL IMPULSOR.

AVISO: PARA UNIDADES DE IMPULSIÓN SAE, quite el tornillo de fijación de la tuerca del impulsor (22A) antes de calentar con el soplete.

6. Retire la arandela del impulsor (7).
7. Inserte dos barras de palanca a 180° de distancia entre sí, entre el impulsor (2) y el compartimiento del sello (3). **CON SUMO CUIDADO**, haga palanca y retire el impulsor.
8. Retire la chaveta del impulsor (8).
9. Retire los tornillos del compartimiento de sellos (14) y el compartimiento (3), sacando con él el conjunto del sello mecánico. Deseche el conjunto del sello y el anillo en O del compartimiento del sello (9). Para las bombas con caja prensaestopas, consulte las **"INSTRUCCIONES PARA CAJA PRESNAESTOPAS"**.
10. Retire el adaptador (108).
11. Inspeccione la camisa del eje (11). Si tiene muchas muescas, retírela calentándola con una antorcha. Deséchela.

ATENCIÓN: TENGA CUIDADO AL MANIPULAR LA CAMISA DEL EJE CALIENTE.

12. Empuje y saque del compartimiento de sellos el asiento del sello mecánico estacionario. Deséchelo.
13. En las unidades equipadas con anillo de desgaste (5) en el compartimiento de sellos, retírelo si se encuentra muy gastado.

DESMONTAJE DE LA CAJA DE COJINETES O CAJA DE COJINETES SAE

1. Retire el deflector (123) del eje.
2. Retire la cubierta de cojinetes (134).
3. Retire del bastidor el conjunto del eje.
4. Retire los sellos de reborde (138, 139) de la caja de cojinetes (228) y la cubierta de cojinetes (134) si se encuentran gastados. Deséchelos.
5. Retire el anillo de retención (361).
6. Use un jalador de cojinetes o una prensa de eje para retirar los cojinetes de bola (112, 168).

REENSAMBLAJE

- Antes de volver a armar la bomba se deben limpiar todas las piezas.

ATENCIÓN: EL ANILLO EN O SE DEBE REEMPLAZAR CADA VEZ QUE SE DESARMA LA UNIDAD.

CAJA DE COJINETES

1. Reemplace los sellos de reborde si han sido retirados.
2. Reemplace los cojinetes de bola si están sueltos o hacen ruido al rotar.

3. Controle el descentramiento del eje (122). El valor máximo permitido es 0.002 pulgadas (0.05 mm) TIR.
4. Consulte la sección **"MANTENIMIENTO"** de este manual para las instrucciones de lubricación de la caja de cojinetes en las bombas del grupo M.

EXTREMO DEL LÍQUIDO

1. Inspeccione el eje y limpie toda basura o rebaba.
2. Aplique LOCQUIC® Primer "T" o equivalente al eje, siguiendo cuidadosamente las instrucciones del fabricante.
3. Al colocar la nueva camisa del eje, rocíe el diámetro interior de la camisa con LOCQUIC® Primer "T" o equivalente. Deje secar las piezas y aplique LOCTITE® #262 a las mismas superficies. Deslice la nueva camisa sobre el eje con un movimiento de torsión y limpie el excedente. Deje curar de acuerdo con las instrucciones.

ATENCIÓN: EL SELLO MECÁNICO DEBE SER REEMPLAZADO CADA VEZ QUE SE RETIRA EL SELLO. SIGA ATENTAMENTE LAS INSTRUCCIONES DEL FABRICANTE DEL SELLO. PARA BOMBAS CON CAJA PRENSAESTOPAS, CONSULTE LAS **"INSTRUCCIONES PARA CAJA PRENSAESTOPAS"**.

4. Reemplace el anillo de desgaste del compartimiento de sellos si es que ha sido retirado.
5. En el caso de bombas de sello mecánico, el asiento del sello estacionario puede sumergirse en agua para facilitar la instalación. Coloque el asiento del sello estacionario encuadrado en el agujero de la caja del sello. Cubra la cara pulida del asiento con una sección delgada de cartón o toalla de papel. Oprima firmemente el asiento en el agujero usando una sección de plástico o madera que disperse la fuerza sobre la cara completa del sello. NOTA: Si el sello mecánico está equipado con un retén a resorte, retire y descarte el retén.
6. Coloque el adaptador, con la cara cóncava hacia arriba, sobre el eje del motor y hágalo descender hasta el motor.
7. Reemplace el anillo en O del compartimiento de sellos. Este anillo en O puede ser lubricado con agua o glicerina para facilitar la instalación. Instale el compartimiento del sello sobre el adaptador. Tenga cuidado para que el eje del motor no dañe o desaloje el asiento del sello.
8. Instale de frente y completamente el conjunto rotativo de sello contra el asiento estacionario.

AVISO: REEMPLACE EL PERNO Y LA ARANDELA DEL IMPULSOR CADA VEZ QUE SE RETIRE ESTE ÚLTIMO.

9. Instale la chaveta del impulsor en la ranura de posicionamiento. Monte el impulsor sobre el eje y empújelo hasta que llegue al fondo. Sosténgalo en su lugar. Para las unidades del SAE, aplique el loctite 271 al alesaje, a la chavetera y al eje del impeedor. Monte el impeedor en el eje y empuje hasta que él bottome. Sostenga en lugar.
10. Instale una nueva arandela del impulsor. Para unidades SAE, aplique Loctite 271 al diámetro interior, chavetero y eje del impulsor. Después de haber ajustado la tuerca del impulsor SAE, aplique 271 al tornillo de fijación y apriete con la mano hacia la cara del perno del impulsor.
11. Aplique LOCTITE® #271 o su equivalente a las roscas del perno nuevo del impulsor y apriete a:

Pernos de 3/8 pulg.-16	20 lbs.-pie (27 N·m)
Pernos de 1/2 pulg.-13	38 lbs.-pie (51 N·m)

 Perno del impeedor no usado para las unidades del SAE.

12. Para el SAE las unidades aplican el loctite 271 a los hilos de rosca externos del eje y a los hilos de rosca internos del impeedor (22). Apriete la tuerca del impeedor al siguiente:

1/2 pulg. - Tuerca Del Impeedor 80 lbs.-pie (107 N·m)
(SAE grupo M)
3/4 pulg. - Tuerca Del Impeedor 100 lbs.-pie (134 N·m)
(SAE Grupo L)
13. Para las unidades del SAE, después de que la tuerca del impeedor (22) haya estado instalada, aplique el loctite 271 al tornillo de presión (2A). Instale el tornillo de presión del impeedor en la cara de la tuerca del impeedor (22) y apriete hand-tight.
14. Reemplace el anillo de desgaste de la carcasa si es que ha sido retirado.
15. Coloque y ajuste los pernos de la carcasa en una secuencia de zigzag hasta los valores indicados a continuación:

3/8"-16 pernos (carcasa de bronce) 25 lbs.-pie (34 N·m)
3/8"-16 pernos (carcasa de hierro fundido) 37 lbs.-pie (50 N·m)
1/2"-13 pernos (carcasa de hierro fundido) 90 lbs.-pie (122 N·m)
3/4"-10 pernos (carcasa de hierro fundido) 175 lbs.-pie (237 N·m)
16. Verifique que la unidad reensamblada no experimente agarrotamiento. Haga rotar el eje con la herramienta apropiada desde el extremo del motor.
17. Si hubiera rozamiento, afloje los pernos de la carcasa y realice la secuencia de ajuste otra vez.
18. Vuelva a colocar los pernos de sujeción del motor y el tapón o la cubierta del extremo del motor en las unidades de acoplamiento corto.
19. Vuelva a colocar los pernos de sujeción del acoplamiento, el espaciador, el protector de acoplamiento y el bastidor en las unidades montadas en bastidor.

ATENCIÓN: SIEMPRE VUELVA A VERIFICAR AMBAS ALINEACIONES LUEGO DE EFECTUAR ALGÚN AJUSTE.

20. Para realinear el eje, consulte la sección **"ALINEACIÓN DEL ACOPLAMIENTO"** en este manual.
21. El reensamblaje está ahora completo.

INSTRUCCIONES PARA LA CAJA PRENSAESTOPAS

1. Asegúrese de que de materias extrañas antes de comenzar la empaquetadura. Consulte el título Ensamblaje por Secciones en la sección de repuestos.
2. Sea especialmente cuidadoso durante la instalación de los anillos de empaque porque están formados con matriz. Para instalarlos, retuerza el anillo hacia el costado lo suficiente como para poder colocarlo alrededor de la camisa del eje. **NO INTENTE RETIRAR LOS ANILLOS JALANDO DIRECTAMENTE.** Observe la figura 12.

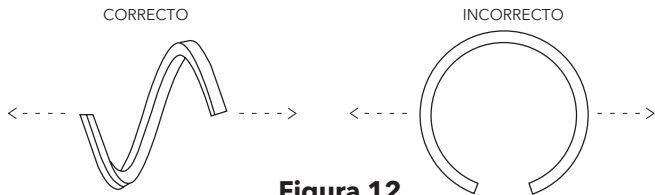
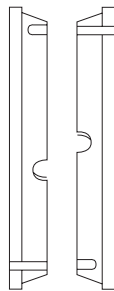


Figura 12

3. Instale el aro de linterna de Teflon de dos piezas provisto según se muestra en la figura 13. Nota: dos piezas conforman un aro. Las muescas del anillo deben enfrentarse, pero el alineamiento no es necesario.



Aro de linterna de Teflon
Figura 13

4. Para empaclar la caja prensaestopas, instale los anillos de empaque y el aro de linterna en la secuencia siguiente. Instale dos anillos de empaquetadura, luego el aro de linterna, y luego los tres anillos de empaquetadura restantes. Instale cada anillo por separado y asíntelo firmemente. Se recomienda el uso de un manguito dividido de madera para esta operación. Vea la figura 14. Use el casquillo para mover el manguito y el anillo dentro de la caja. Alterne las juntas en cada aro 90°. Asegúrese de que la toma embutida en la caja prensaestopas se alinea con el centro del aro de linterna. Los anillos extra son de repuesto.

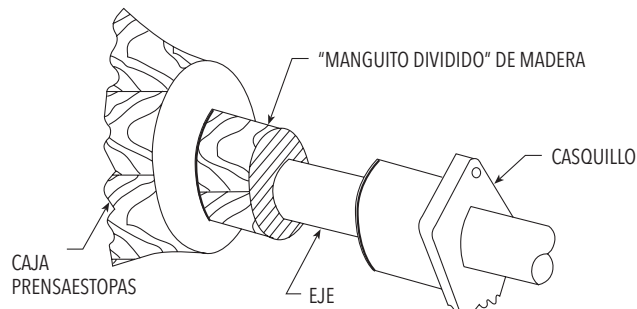


Figura 14

5. Ajuste las tuercas del casquillo en forma pareja pero sin ajustar mucho. Cuando se arranca la bomba, lentamente ajuste las tuercas del casquillo hasta que la pérdida llegue a entre 40 y 60 gotas por minuto. Se puede utilizar un lubricante a base de grasa cuando el líquido bombeado contiene partículas abrasivas o para mejorar la carga de succión.

PARA RETIRAR LA CAJA PRENSAESTOPAS

- Para retirar las empaquetaduras de la caja prensaestopas siga estos pasos.

1. Retire el conjunto del casquillo.
2. Retire la empaquetadura con un "gancho de empaque".
3. Inserte un gancho de alambre en el anillo en el borde exterior para retirar el aro de linterna.
4. Limpie la caja prensaestopas.

DISPOSICIÓN DE CEBADO SEGURO (Opcional - Grupo M y L únicamente)

- La disposición Prime Safe puede lubricarse con grasa o por alimentación de aceitador.
1. El casquillo para grasa (24) tendrá las letras "G" y "O" estampadas en el diámetro exterior y dos conexiones NPT de 1/8 pulg. para montar una grasería o aceitador.
 2. Para las aplicaciones de alimentación de grasa, el casquillo para grasa se instala con la marca "G" en la posición de las 12:00. El alimentador de grasa (23) se montará en el casquillo para grasa en un ángulo de 30 grados con respecto a la horizontal. Esto se hace para ganar acceso a la grasería situada en el alimentador de grasa. El sello de reborde (26) montado en el casquillo para grasa se instalará en la forma mostrada en la Figura 10.
 3. Para las aplicaciones de alimentación con aceitador, el casquillo para grasa se instala con la marca "O" en la posición de las 12:00. Las dos conexiones NPT de 1/8 pulg. sobre el casquillo para grasa estarán situadas sobre la horizontal, lo cual asegurará el funcionamiento apropiado del aceitador. El sello de reborde (26) debe montarse en la dirección inversa u opuesta, tal como se muestra en la Figura 15.
 4. El montaje del alimentador de grasa o aceitador podría requerir extensiones de tubos y/o accesorios adicionales que serán suministrados por la fábrica según sea necesario.
 5. El alimentador de grasa (23) incluirá tres resortes (azul, rojo y plateado). El uso de resortes diferentes variará dependiendo de la temperatura de operación y del lubricante (grasa) a utilizarse.

Temperatura de operación	Tamaño del resorte del alimentador de grasa		
	Grasa N° 1	Grasa N° 2	Grasa N° 3
-10°F (-23°C) a 40°F (4°C)	PLATEADO	ROJO	-
-40°F (-40°C) a 110°F (43°C)	PLATEADO	PLATEADO	ROJO
-110°F (-79°C) a 200°F (93°C)	AZUL	PLATEADO	PLATEADO

Utilice aceite SAE 30W para la aplicación del engrasador.

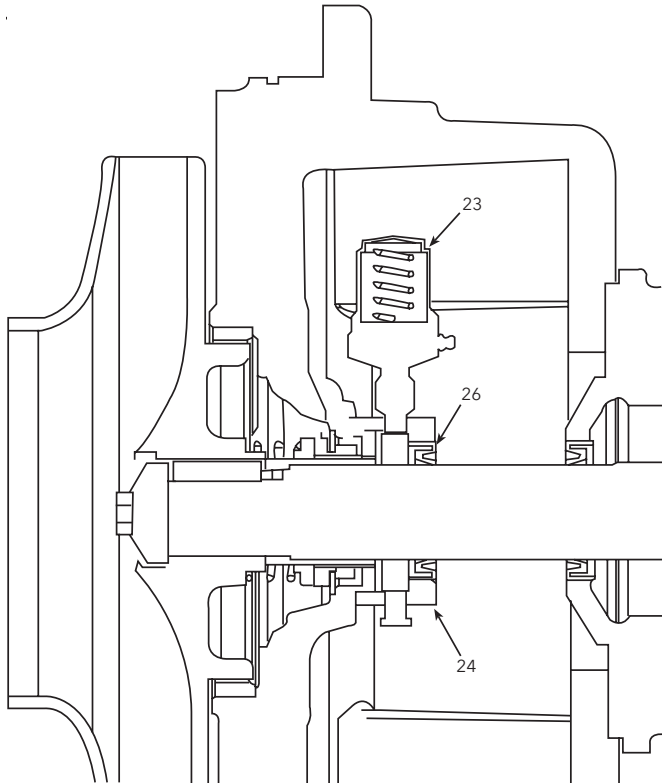


Figura 15

GUÍA DE RESOLUCIÓN DE PROBLEMAS



DESCONECTE Y BLOQUEE LA ALIMENTACIÓN ELÉCTRICA ANTES DE INTENTAR TAREAS DE MANTENIMIENTO. EL NO HACERLO PUEDE OCASIONAR DESCARGAS ELÉCTRICAS, QUEMADURAS O INCLUSO LA MUERTE.

SÍNTOMA

EL MOTOR NO FUNCIONA

Vea las causas probables N° 1 a 5

SE ENTREGA POCO O NADA DE LÍQUIDO

Vea las causas probables N° 6 a 13

CONSUMO EXCESIVO DE ELECTRICIDAD

Vea las causas probables N° 3, 13, 14 y 15

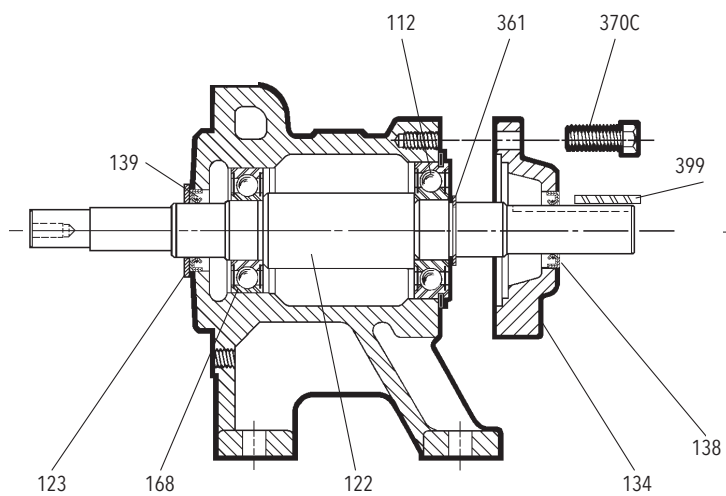
RUIDO O VIBRACIÓN EXCESIVOS

Vea las causas probables N° 3, 6, 7, 10, 12, 14, 16 y 17

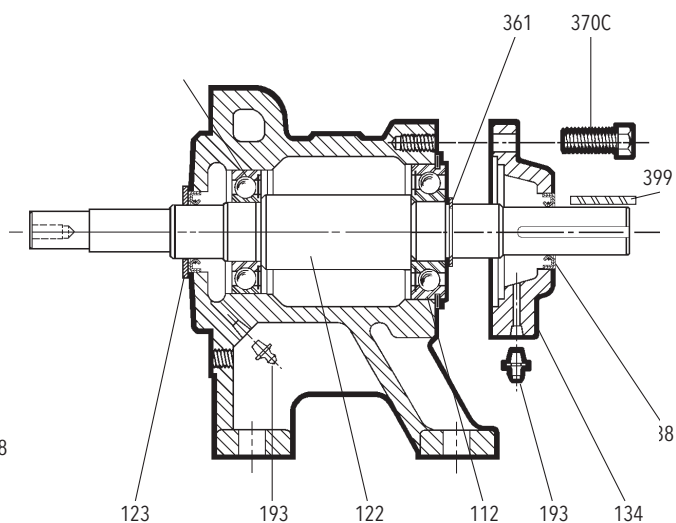
CAUSA PROBABLE

1. Se disparó el protector térmico del motor
2. Interruptor de circuito abierto o fusible quemado
3. Agarrotamiento del impulsor
4. El cableado del motor es incorrecto
5. El motor es defectuoso
6. La bomba no está cebada, hay aire o gases en el bombeo
7. Descarga o succión bloqueadas o válvula cerrada
8. Rotación incorrecta (motor trifásico solamente)
9. Bajo voltaje o pérdida de fase
10. Impulsor gastado o tapado
11. Altura del sistema muy alta
12. NPSHA muy baja - Elevación excesiva de succión o pérdidas
13. Diámetro incorrecto del impulsor
14. Altura de descarga muy baja – velocidad excesiva del flujo
15. Viscosidad o gravedad específica del fluido muy altas
16. Cojinete gastado
17. Bomba, motor o tubería flojos

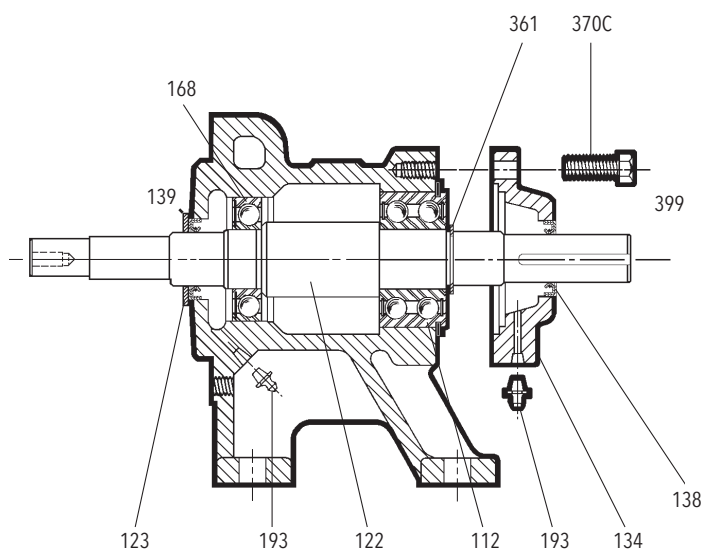
CUADROS DE FUERZA, 3656/3756



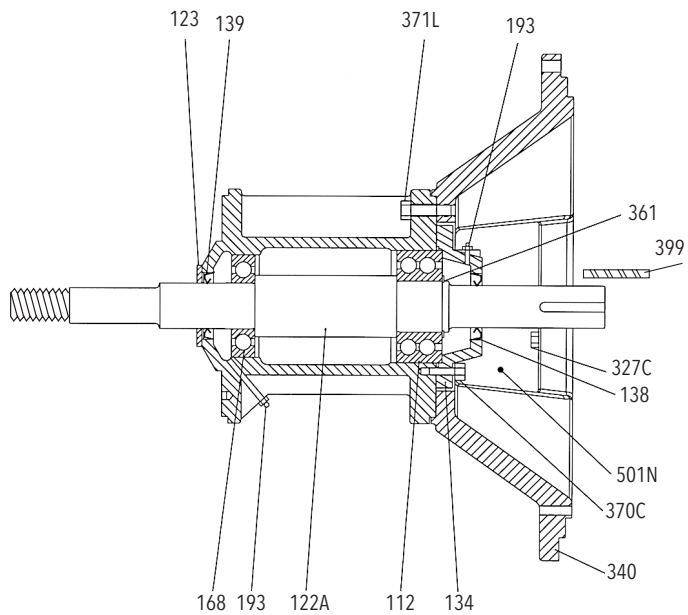
Cuadro de fuerza, Grupo S



Cuadro de fuerza, Grupo M



Cuadro de fuerza, Grupo L



Cuadro de fuerza, SAE

NOTES

GARANTÍA COMERCIAL

Para los productos vendidos a compradores comerciales, el Vendedor garantiza que los productos vendidos al Comprador en virtud del presente (con excepción de membranas, sellos, juntas, materiales de elastómero, revestimientos y otras "partes de desgaste" o consumibles, que no se garantizan, con excepción de lo dispuesto por el contrario en la cotización o formulario de venta) (i) se construirán de acuerdo con las especificaciones referidas en la cotización o formulario de venta, si tales especificaciones se realizan expresamente como parte de este Acuerdo, y (ii) están libres de defectos en material y mano de obra por un período de un (1) año desde la fecha de instalación o doce (12) meses desde la fecha de envío (y tal fecha de envío no deberá ser posterior a dieciocho (18) meses posteriores a la recepción del aviso que los productos están listos para ser enviados), lo que ocurra primero, a menos que se especifique un período mayor en la documentación del producto (la "Garantía").

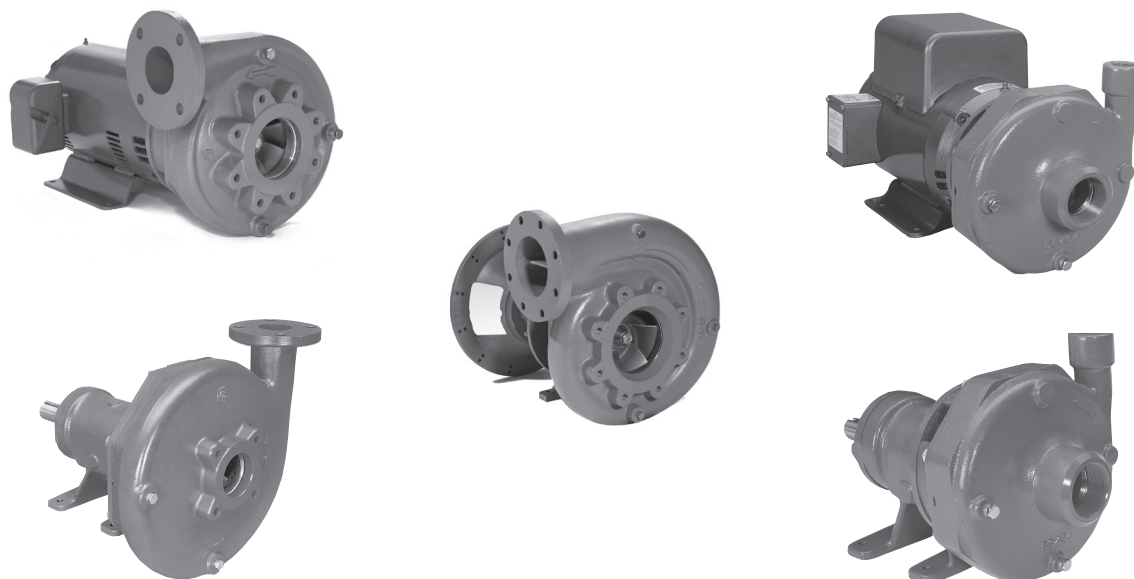
Con excepción de lo requerido por ley, el Vendedor, a su opción y sin costo alguno para el Comprador, reparará o reemplazará el producto que no se ajuste a la Garantía en tanto que el Comprador envíe un aviso escrito al Vendedor sobre todo defecto en material o mano de obra dentro de diez (10) días de la fecha en que aparecen por primera vez los defectos o no conformidades. Según la opción de reparación o reemplazo, el Vendedor no estará obligado a remover o pagar la remoción del producto defectuoso ni instalar o pagar la instalación del producto reemplazado o reparado y el Comprador será responsable de todos los demás costos, que incluyen, entre otros, los costos de servicio, aranceles y gastos de envío. El Vendedor tendrá la exclusiva facultad de decisión con respecto al método o medio de reparación o reemplazo. El incumplimiento del Comprador de las instrucciones de reparación o reemplazo del Vendedor rescindirá las obligaciones del Vendedor en virtud de esta Garantía y anulará esta Garantía. Toda pieza reparada o reemplazada en virtud de la Garantía es garantizada solo por el resto del período de garantía por las piezas reparadas o reemplazadas. El Vendedor no tendrá obligaciones de garantía frente al Comprador con respecto a ningún producto o pieza de un producto que haya sido: (a) reparado por terceros que no sean el Vendedor o sin la aprobación escrita del Vendedor; (b) sujeto a uso incorrecto, aplicación incorrecta, descuido, alteración, accidente o daño físico; (c) usado de forma contraria a las instrucciones del Vendedor para la instalación, operación y mantenimiento; (d) dañado por el uso y desgaste normal, corrosión o ataque químico; (e) dañado debido a condiciones anormales, vibración, falta de cebado correcto o funcionamiento sin flujo; (f) dañado debido a una fuente de alimentación defectuosa o protección eléctrica incorrecta; o (g) dañado debido al uso de equipos accesorios no vendidos o aprobados por el Vendedor. En el caso de productos no fabricados por el Vendedor, no hay garantía del Vendedor; sin embargo, el Vendedor extenderá al Comprador toda garantía recibida del proveedor del Vendedor de tales productos.

LA GARANTÍA ANTERIOR ES EXCLUSIVA Y REEMPLAZA TODA OTRA GARANTÍA, CONDICIÓN O TÉRMINO EXPRESO O IMPLÍCITO DE CUALQUIER NATURALEZA RELACIONADO CON LOS PRODUCTOS PROVISTOS EN VIRTUD DEL PRESENTE, INCLUYENDO, SIN CARÁCTER LIMITATIVO, LAS GARANTÍAS IMPLÍCITAS DE COMERCIABILIDAD E IDONEIDAD PARA UN PROPÓSITO EN PARTICULAR, QUE POR EL PRESENTE SE RECHAZAN Y EXCLUYEN EXPRESAMENTE. CON EXCEPCIÓN DE LO DISPUESTO POR LA LEY EN CONTRARIO, EL EXCLUSIVO REMEDIO DEL COMPRADOR Y LA RESPONSABILIDAD TOTAL DEL VENDEDOR POR EL INCUMPLIMIENTO DE ALGUNA DE LAS GARANTÍAS ANTERIORES SE LIMITA A REPARAR O REEMPLAZAR EL PRODUCTO Y EN TODO CASO SE LIMITARÁ AL IMPORTE PAGADO POR EL COMPRADOR POR EL PRODUCTO DEFECTUOSO. EN NINGÚN CASO EL VENDEDOR SERÁ RESPONSABLE POR OTRA FORMA DE DAÑOS, YA SEA DIRECTOS, INDIRECTOS, LIQUIDADOS, INCIDENTALS, RESULTANTES, PUNITIVOS, EJEMPLARES O ESPECIALES, INCLUYENDO, ENTRE OTROS, LA PÉRDIDA DE GANANCIAS, LA PÉRDIDA DE AHORROS ANTICIPADOS O GANANCIAS, LA PÉRDIDA DE INGRESOS, LA PÉRDIDA DEL NEGOCIO, LA PÉRDIDA DE PRODUCCIÓN, LA PÉRDIDA DE OPORTUNIDAD O LA PÉRDIDA DE REPUTACIÓN.



Xylem Inc.
2881 East Bayard Street Ext., Suite A
Seneca Falls, NY 13148
Teléfono: (800) 453-6777
Fax: (888) 322-5877
www.xylem.com/goulds

Goulds es una marca registrada de Goulds Pumps, Inc. y se utiliza bajo licencia.
© 2022 Xylem Inc. IM010 Revisión Número 11 Mayo 2022



Modèles 3656 et 3756



DIRECTIVES D'INSTALLATION, D'UTILISATION ET D'ENTRETIEN

INFORMATIONS POUR LE PROPRIÉTAIRE

Noter les informations pertinentes ci-dessous et remettre le livret à la ou au propriétaire. La garantie est présentée en page 44.

Numéro de modèle : _____

Numéro de série : _____

Détaillant : _____

N° de téléphone du détaillant : _____

Date d'achat : _____ Date d'installation : _____

TABLE DES MATIÈRES

SUJET	PAGE
Consignes de sécurité.....	30
Description et caractéristiques	30
Données techniques	30
Installation.....	30
Emplacement	30
Groupes monobloc (pompes sur moteur).....	30
Pompes sur palier	31
Pompes sur palier SAE (moteur thermique).....	31
Alignement de l'accouplement.....	34
Pompes sur palier seulement	34
Tuyauterie	34
Aspiration.....	34
Refoulement	35
Câblage et mise à la terre.....	35
Sens de rotation	35
Utilisation	35
Entretien.....	35
Démontage.....	36
Remontage	36
Presse-garniture	37
Diagnostic des anomalies.....	39
Pièces de rechange - séries 3656 et 3756	40
Garantie limitée.....	44

CONSIGNES DE SÉCURITÉ

AFIN DE PRÉVENIR LES BLESSURES GRAVES OU MORTELLES ET LES DOMMAGES MATÉRIELS IMPORTANTS, LIRE ET SUIVRE TOUTES LES CONSIGNES DE SÉCURITÉ FIGURANT DANS LE PRÉSENT MANUEL ET SUR LA POMPE.



Le symbole ci-contre est un **SYMBOLE DE SÉCURITÉ** employé pour signaler les mots-indicateurs dont on trouvera la description ci-dessous. Sa présence sert à attirer l'attention afin d'éviter les blessures et les dommages matériels.



Prévient des risques qui **VONT** causer des blessures graves, la mort ou des dommages matériels importants.



Prévient des risques qui **PEUVENT** causer des blessures graves, la mort ou des dommages matériels importants.



Prévient des risques qui **PEUVENT** causer des blessures ou des dommages matériels.

AVIS : SERT À ÉNONCER LES DIRECTIVES SPÉCIALES DE GRANDE IMPORTANCE QUE L'ON DOIT SUIVRE.

LE PRÉSENT MANUEL A POUR BUT DE FACILITER L'INSTALLATION ET L'UTILISATION DE LA POMPE. LIRE SOIGNEUSEMENT CHAQUE DIRECTIVE ET AVERTISSEMENT AVANT D'EFFECTUER TOUT TRAVAIL SUR LA POMPE.

N'ENLEVER AUCUNE DÉCALCOMANIE DE SÉCURITÉ.

AVIS : INSPECTER L'APPAREIL ET SIGNALER IMMÉDIATEMENT TOUT DOMMAGE AU TRANSPORTEUR OU AU DÉTAILLANT.



Les fluides dangereux peuvent causer un incendie, des brûlures ou la mort.

APPAREIL NON CONÇU POUR LES LIQUIDES DANGEREUX NI POUR LES GAZ INFLAMMABLES.



Ce produit peut vous exposer à des produits chimiques, incluant le plomb, reconnus par l'État de la Californie comme pouvant être cancérigènes, causer des anomalies congénitales ou d'autres problèmes de reproduction. Pour plus d'informations : www.P65Warnings.ca.gov.

DESCRIPTION et CARACTÉRISTIQUES

Les pompes de séries 3656 et 3756 sont des pompes centrifuges à un étage, à aspiration en bout, servant au transfert de liquides et au pompage de nature générale, ainsi qu'à l'augmentation de pression et à l'irrigation. Elles sont offertes en trois versions: tout fonte, avec composants en bronze ou tout bronze (groupe S seulement).

Les pompes sont munies d'une roue fermée, clavetée sur l'arbre et retenue par une rondelle et une vis. Le corps de pompe est du type à volute, à bagues d'usure remplaçables. Selon les dimensions de la pompe, les raccords d'aspiration et de refoulement sont filetés ou à brides. Des chemises d'arbre en inox protègent l'arbre.

Les groupes monobloc (pompes sur moteur) sont dotés

de moteurs JM ou JP conformes aux normes NEMA, d'un adaptateur en C et d'un arbre-rallonge claveté. Les paliers SAE sont vissés au carter de volant du moteur thermique par l'intermédiaire d'un support SAE de format n° 1, 2, 3, 4 ou 5. Des accouplements en élastomère sont offerts en option pour les diamètres de volant de 6½ po, 7½ po, 8 po, 10 po, 11½ po et 14 po. Les pompes montées sur palier peuvent être entraînées par accouplement ou par courroie.

DONNÉES TECHNIQUES

Température maximale du liquide:

100 °C (212 °F), avec garniture mécanique ou d'étanchéité standard;
120 °C (250 °F), avec garniture mécanique pour hautes températures, en option.

Pression de service maximale (selon la température du liquide):

1,379 MPa (200 lbf/po²), avec raccords NPT;
1,379 MPa (200 lbf/po²), avec raccords à bride ANSI 125.

Pression d'aspiration maximale : 689,5 kPa (100 lbf/po²)

Démarrages par heure : 20, répartis uniformément

Groupe	Dimensions	Aspiration	Refoulement
S	1½ x 2-6 (H)	2 po, NPT	1½ po, NPT
	1 x 2-7	2 po, NPT	1 po, NPT
	2½ x 3-7	3 po, NPT	2½ po, NPT
	3 x 4-7	4 po, à bride	3 po, à bride
	1 x 2-8	2 po, NPT	1 po, NPT
LH	1½ x 2-8	2 po, NPT	1½ po, NPT
	2 x 2-5	2 po, NPT	2 po, NPT
	2½ x 2½-5	2½ po, NPT	2½ po, NPT
	3 x 3-5	3 po, NPT	3 po, NPT
	4 x 4-5	4 po, à bride	4 po, à bride
M	5 x 5-6	5 po, à bride	5 po, à bride
	2½ x 3-8	3 po, NPT	2½ po, NPT
	3 x 4-8	4 po, à bride	3 po, à bride
	4 x 5-8	5 po, à bride	4 po, à bride
	1½ x 2-10	2 po, NPT	1½ po, NPT
	2½ x 3-10	3 po, à bride	2½ po, à bride
	3 x 4-10	4 po, à bride	3 po, à bride
	4 x 6-10	6 po, à bride	4 po, à bride
	2½ x 3-13	3 po, à bride	2½ po, à bride
	3 x 4-13	4 po, à bride	3 po, à bride
L	4 x 6-13	6 po, à bride	4 po, à bride
	6 x 8-13	8 po, à bride	6 po, à bride
	8 x 10-13	10 po, à bride	8 po, à bride
	4 x 6-16	6 po, à bride	4 po, à bride

INSTALLATION



L'INSTALLATION DE LA POMPE DOIT INCLURE UN DRAINAGE ADÉQUAT OU SITUÉ DE MANIÈRE À CE QUE D'AUTRES ÉQUIPEMENTS OU BIENS NE SOIENT PAS ENDOMMAGÉS EN CAS DE FUITE. LA POMPE NE DOIT PAS ÊTRE INSTALLÉE AU-DESSUS DE L'ÉQUIPEMENT SANS DRAINAGE ADÉQUAT. LE NON-RESPECT DE CETTE CONSIGNE POURRAIT CAUSER DES DOMMAGES MATÉRIELS.



UN SERRAGE EXCESSIF DES FIXATIONS DU BOÎTIER RISQUE DE LES ENDOMMAGER ET DE CAUSER DES FUITES ET DES DOMMAGES MATÉRIELS.

EMPLACEMENT

- Placer la pompe aussi près de la source de liquide que possible, plus bas que celle-ci pour assurer l'amorçage automatique.

- Le dégagement autour du groupe de pompage doit être suffisant pour faciliter l'entretien et l'aération.
- Protéger l'appareil contre les intempéries, les inondations et le gel.
- Protéger la tuyauterie contre le gel.

GROUPES MONOBLOC (POMPES SUR MOTEUR)

- Le groupe monobloc peut être installé à l'horizontale, à la verticale ou sur une surface inclinée, le moteur plus haut que la pompe.
- Les pattes de fixation du moteur **DOIVENT** être ancrées à une surface solide et rigide pouvant supporter tout le poids du groupe monobloc. Dans le cas du groupe L, les pattes de l'adaptateur de moteur doivent aussi être ancrées à cette surface.
- S'il s'agit d'une installation verticale, protéger le moteur contre les intempéries, les éclaboussures, la condensation, etc.

AVIS: NE PAS PLACER LE MOTEUR PLUS BAS QUE LA POMPE AFIN DE LE PROTÉGER CONTRE LES FUITES ET L'EAU DE CONDENSATION.

POMPES SUR PALIER

- On **DOIT** fixer le groupe de pompage à une surface plane et solide pour prévenir toute déformation ou contrainte due au serrage des boulons d'ancrage. Le montage sur support en caoutchouc est permis pour réduire les vibrations et le bruit excessifs.
- Serrer les boulons de fixation du moteur **AVANT** de raccorder la tuyauterie à la pompe.

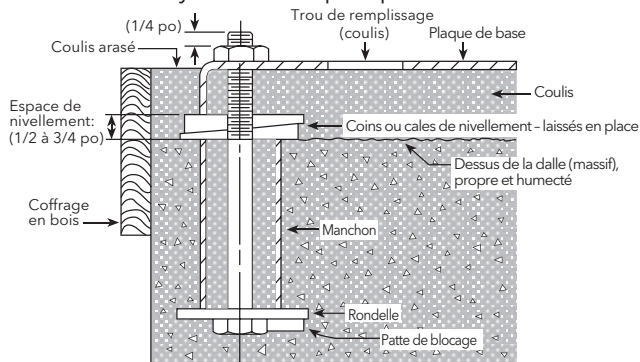


Figure 1

- Il est recommandé de remplir de coulis le vide entre la plaque de base et le massif de béton. Le massif doit reposer sur une semelle de fondations solide. (Voir la figure 1.)
- Placer des coins de nivellement sous le groupe de pompage: en deux endroits distincts sous le centre approximatif du moteur et en deux autres sous celui de la pompe. Régler la hauteur des coins pour que les raccords d'aspiration et de refoulement soient de niveau (employer un fil à plomb ou un niveau).
- S'assurer que la plaque de base n'est pas déformée et que l'alignement final de l'accouplement est possible dans les limites de déplacement du moteur ou en calant celui-ci au besoin.
- Serrer les boulons d'ancrage à la main et construire un coffrage autour de la plaque de base. Remplir entièrement le coffrage et le dessous de la plaque de coulis: s'assurer qu'il n'y a aucun creux sous les pattes de fixation de la pompe et du moteur.
- Laisser le coulis durcir pendant 48 heures avant de visser les boulons d'ancrage à fond.
- Serrer les boulons de fixation de la pompe et du moteur avant d'aligner les arbres ou de raccorder la tuyauterie à la pompe.

POMPES SUR PALIER SAE (MOTEUR THERMIQUE)

- Le palier SAE est fixé au carter de volant du moteur thermique par le biais d'un support SAE de format n° 1, 2, 3, 4 ou 5. L'arbre-rallonge de la pompe est conçu pour être accouplé directement au volant. Goulds offre des accouplements en option pour les diamètres de volant de 6½ po, 7½ po, 8 po, 10 po, 11½ po et 14 po. Bien que l'on puisse employer d'autres accouplements, il est recommandé d'utiliser les accouplements Goulds, conçus pour assurer un fonctionnement fiable et de longue durée.

EXIGENCES VISANT LE BON FONCTIONNEMENT

Pompe

Outre le débit requis (en gal US/min) fourni par la pompe, la hauteur manométrique totale à pareil débit doit être prise en compte. Le point de fonctionnement débit-hauteur manométrique totale devrait être aussi près que possible du point de rendement le plus haut de la courbe de performances, mais doit être sous la vitesse de rotation «maximale» (en r/min), déterminée selon la durée de vie des roulements et, parfois, la limite de pression de la pompe.

Les orifices d'aspiration et de refoulement sont soit taraudés (NPT) pour les tuyaux ordinaires, soit à bride standard à trous de vis ANSI B16.1, classe 125. Suivant la norme ANSI B16.1, la pression de service maximale pour la fonte de classe 30 est de 175 lbf/po².

Les moteurs à combustion interne ont une vitesse et une puissance utile variables. La puissance est fonction de la vitesse et diminue quand il y a hausse de la température de l'air ou de l'altitude d'utilisation du moteur. Lorsqu'il entraîne la pompe à la vitesse requise pour fournir l'eau au système, le moteur doit tourner dans les limites de vitesse minimale et maximale stipulées par le constructeur du moteur. La puissance nécessaire à la pompe ne doit pas dépasser la puissance continue nominale du moteur, une fois incluse toute réduction de puissance due aux accessoires de moteur et à la hausse de la température de l'air ou de l'altitude de service du moteur.

P_e DU GROUPE MOTOPROPULSEUR

On choisit le groupe motopropulseur à combustion interne selon la P_e, la puissance effective (au frein), égale au débit multiplié par la hauteur manométrique totale, divisés par 3960 fois le rendement ($[\text{gal US/min} \times h_{mt}] \div [3960 \times \text{rend.}]$).

Nota: on doit cependant réduire la P_e comme suit:

- 20% pour le service continu;
- 5% pour la transmission à angle droit;
- 3% aux 1 000 pi au-dessus du niveau de la mer;
- 1% aux 10°F passé 60°F.

COUPLE DU GROUPE MOTOPROPULSEUR

Il faut aussi tenir compte du couple pour choisir le groupe motopropulseur. En général, la relation entre la P_e et le couple varie dans la plage utile d'un diesel (v. fig. 2). Le couple (en lbf·pi) égale 5250 fois la puissance effective, divisée par la vitesse de rotation ($[5250 \times P_e] \div r/\text{min}$).

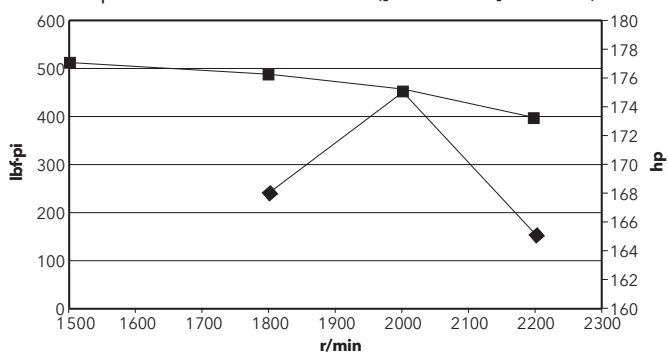


Figure 2 – Courbes puissance (◆)-couple (■)

VÉRIFICATION DE LA CORRESPONDANCE POMPE-MOTEUR

Format de la ferrure SAE

Les pompes pour moteurs à combustion sont prévues pour les carters de volant (moteur) de formats SAE 1 à 5. S'il s'agit d'un nouveau moteur, on peut s'adresser au fournisseur pour savoir le format SAE du carter de volant. Si le moteur est déjà en place, on peut en mesurer comme suit le diamètre d'alésage du carter de volant et le diamètre du cercle de vissage et les comparer avec ceux de la table 1 pour trouver le format SAE:

- Prendre au 1/32 po le plus proche la mesure diamétrale de l'alésage (A) et du cercle (B) avec un ruban à mesurer (v. fig. 3).
- Compter le nombre de trous taraudés sur le carter de volant (C). Utiliser des vis de séries de filetages différentes pour déterminer la série des trous.
- Comparer les données de A, B et C avec celles de la table 1 pour connaître le format SAE du carter de volant et s'assurer qu'il convient à la pompe.

Dimensions du carter de volant (en po)	Format SAE du carter de volant				
	1	2	3	4	5
A	20 $\frac{1}{8}$	17 $\frac{3}{8}$	16 $\frac{1}{2}$	14 $\frac{1}{4}$	12 $\frac{3}{8}$
B	20 $\frac{7}{8}$	18 $\frac{3}{8}$	16 $\frac{7}{8}$	15	13 $\frac{1}{8}$
C	Nombre	12	12	12	8
	Cotation	$\frac{7}{16}$ - 14	$\frac{3}{8}$ - 16	$\frac{3}{8}$ - 16	$\frac{3}{8}$ - 16

Table 1

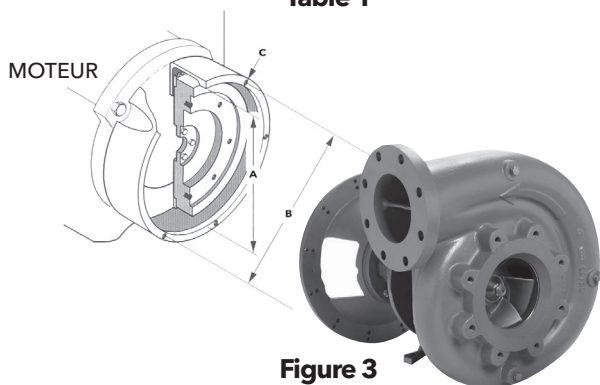


Figure 3

INSTALLATION

- S'il s'agit d'une installation horizontale, on peut placer l'orifice de refoulement dans n'importe laquelle des positions permises par l'emplacement des vis de fixation

NOTA : quand l'accouplement est posé correctement, il n'atteint pas la partie lisse de l'arbre. S'il l'atteint, inverser l'accouplement (v. fig. ci-dessous) pour en augmenter le jeu.

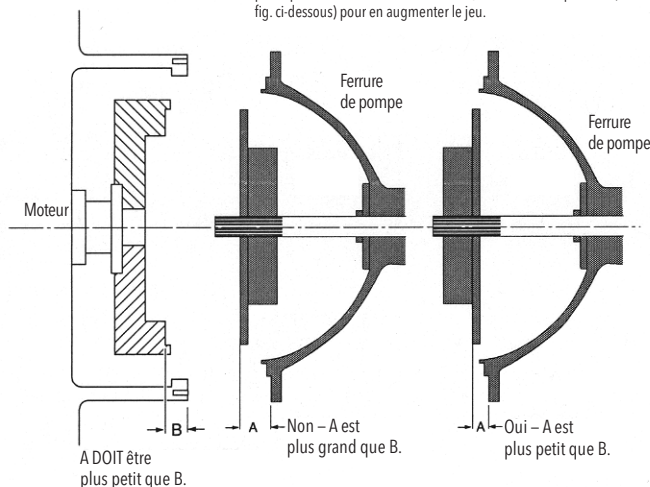


Figure 4

(13) du corps de pompe. Il est toutefois recommandé de mettre l'orifice de refoulement à l'horizontale et plus haut que l'orifice d'aspiration.

- Chaque corps de pompe doit être soutenu par un support rigide assujéti à la plaque de base ou au massif de béton.
- Dans le cas du groupe M, fixer le support rigide à l'anneau-adaptateur du moteur avec au moins deux (2) des vis de fixation (13) du corps de pompe. L'épaisseur accrue du support pourrait requérir des vis plus longues. Employer des vis SAE 5, serrées au couple indiqué ci-après.
- Pour le groupe L, supporter la pompe à l'aide des deux pattes moulées de l'adaptateur de moteur (3). Les pattes doivent être vissées au support.

ACCOUPEMENT CANNELÉ

Préparatifs

- Au besoin, nettoyer les faces d'emboîtement et de fixation du carter de volant et du volant pour les débarrasser de la graisse, des saletés, de la rouille et des résidus d'antirouille, pouvant nuire à la pose et à l'alignement de la pompe. Si le volant est muni d'un roulement-guide pour arbre de transmission, enlever et jeter le roulement, non requis pour l'installation de la pompe et pouvant gêner l'introduction de l'arbre de pompe.
- Examiner les cannelures de l'arbre de près. Au besoin, en limer les bavures pour faciliter le glissement de l'arbre dans le moyeu de l'accouplement.
- Avec modération, appliquer de la graisse sur les cannelures de l'arbre. Ne pas en mettre sur les arbres clavetés.
- Enfiler l'accouplement sur l'arbre et le pousser à fond (v. en page suivante pour les arbres clavetés).
- Mesurer l'écart A entre la face de fixation de l'accouplement et la face de fixation de la ferrure de pompe (v. **A**, fig. 4).
- Mesurer l'écart B entre la face du volant servant à fixer l'accouplement et la face du carter de volant utilisée pour fixer la ferrure de pompe (v. **B**, fig. 4).

NOTA : l'écart A (côté moteur de la pompe) doit être moindre que l'écart B (côté pompe du moteur), sinon le vilebrequin du moteur subira une poussée axiale nuisible. Donc, **A doit être plus petit que B.**

ACCOUPEMENT DE VOLANT

- L'accouplement de volant transmet l'énergie du moteur à l'arbre de pompe. La limite de puissance maximale que peut supporter sans risque l'accouplement est exprimée par un chiffre dans la colonne R des tables 1A et 1B.

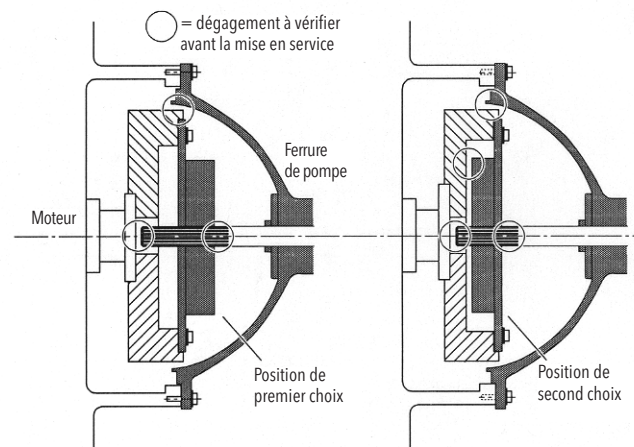


Figure 5

- Pour choisir l'accouplement de volant, déterminer d'abord la puissance nominale requise par la pompe en repérant, sur sa courbe de performances, le point de rencontre des valeurs r/min et P_e nécessaires pour obtenir le point débit-hauteur manométrique totale approprié.
- Diviser ensuite P_e par r/min, puis multiplier le quotient par 100. Le résultat constituera la limite de puissance pour la pompe. Par exemple, pour une 20BFSAE1AO fournissant 800 gal US/min à une h_{mt} de 270 pi, à 1800 r/min, la P_e serait de 75 hp, et la limite de puissance pour la pompe, de 4,16 ($[75 \div 1800] \times 100$).
- Choisir l'accouplement convenant au volant (limite de puissance et dimensions). En pareil cas, l'accouplement doit avoir une limite de puissance (R) SUPÉRIEURE à celle qui a été calculée pour la pompe. Dans l'exemple ci-dessus, la limite de puissance R pour l'accouplement serait au moins de 5.
- L'ajusteur-monteur est responsable de l'analyse de compatibilité du moteur, de la pompe et de l'accouplement quant à leur rigidité en torsion. Goulds Water Systems fournira à l'ajusteur-monteur les données pour la pompe et l'accouplement.

NOTA : si le moyeu du volant est muni d'un roulement-guide, enlever le roulement pour ne pas qu'il gêne l'insertion de l'arbre de pompe.

VOLANT POUR EMBRAYAGES CONCENTRIQUES INDUSTRIELS

- La fig. 6 montre le volant évidé conçu pour les embrayages concentriques des prises de force.
- On y notera aussi la partie alésée renforcée du volant, dotée de trous taraudés servant à fixer l'accouplement. Les dimensions sont conformes aux normes SAE et figurent dans les tables 1A et 1B. Le diamètre d'embrayage mentionné est le diamètre nominal de la garniture du disque d'embrayage concentrique de type couronne.

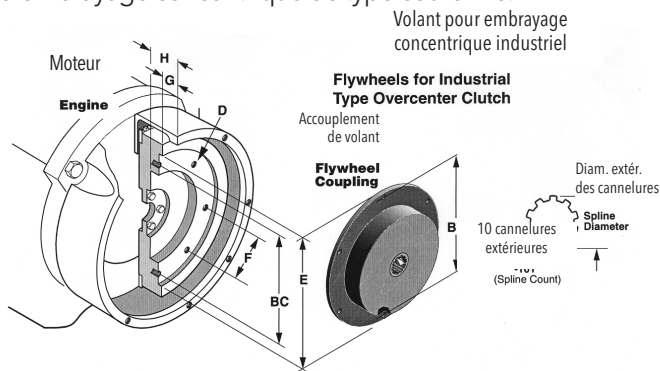


Figure 6

Table 1A – Accouplement cannelé à moyeu en élastomère pour plage r/min étendue

Diam. d'embr. (po)	Dimensions du volant (en pouces)							Accoupl. cannelé (po)		
	N ^{bre}	Filet. UNC	E (diam. extér.)	BC	F	G	H	R*	Numéro d'article	Diam. extér., cannel.
6½	6	¾-18	8½	7,88	3,94	1,19	1,69	7	A00569C.1	1½
7½	8	¾-18	9½	8,75	3,69	1,19	1,69	7	A00569C.2	1½
8	6	¾-16	10¾	9,62	4,81	2,44	2,94	7	A00569C.3	1½
10	8	¾-16	12¾	11,62	4,47	2,13	2,75	7	A00569C.4	1½
10	8	¾-16	12¾	11,62	4,47	2,13	2,75	9	A00569C.6	1½
11½	8	¾-16	13¾	13,12	5,06	1,56	2,69	7	A00569C.5	1½
11½	8	¾-16	13¾	13,12	5,06	1,56	2,69	9	A00569C.7	1½
14	8	½-13	18¾	17,25	6,63	1,00	2,13	9	A00569C.8	1½

* R = limite de puissance maximale pour l'accouplement = (hp nomin. x 100) ÷ r/min nomin.

Table 1B – Accouplement claveté à moyeu en élastomère pour plage r/min étendue

Diam. d'embr. (po)	Dimensions du volant (en pouces)							Accoupl. claveté (po)			
	N ^{bre}	Filet. UNC	E (diam. extér.)	BC	F	G	H	R*	Numéro d'article	Diam. de l'arbre	
6½	6	¾-18	8½	7,88	3,94	1,19	1,69	2,28	CD616	1,625 à 1,624 Rainure de clavette : ¾ x ¾	
								3,51	CD625		
7½	8	¾-18	9½	8,75	3,69	1,19	1,69	2,28	CD716		
								3,51	CD725		
8	6	¾-16	10¾	9,62	4,81	2,44	2,94	2,28	CD816		
								3,51	CD825		
10	8	¾-16	12¾	11,62	4,47	2,13	2,75	2,28	CD1016		
								3,51	CD1025		
								5,71	CD1030		
								8,57	CD1050		
11½	8	¾-16	13¾	13,12	5,06	1,56	2,69	11,23	CD1080		
								12,62	CD1116		
								16,85	CD1125		
								2,28	CD1130		
								8,57	CD1150		
14	8	¾-16	18¾	17,25	6,63	1,00	2,13	11,23	CD1180		
								12,62	CD1190		
								16,85	CD1110H		
								2,28	CD1416		
								3,51	CD1425		
								5,71	CD1430		
14	8	¾-16	18¾	17,25	6,63	1,00	2,13	8,57	CD1450		
								11,23	CD1480		
								12,62	CD1490		
										16,85	CD14110H

* R = limite de puissance max. pour l'accouplement = (hp nomin. x 100) ÷ r/min nomin.

AUTRES TYPES DE VOLANTS

- Le volant de certains moteurs est usiné spécialement pour diverses machines (génératrices, convertisseurs de couple, etc.) et nécessite donc un accouplement de volant spécial, que l'on obtiendra d'un vendeur ou d'un fournisseur indépendants.
- S'il s'agit d'un accouplement claveté Goulds Water Systems, s'assurer que la vis de pression du moyeu de l'accouplement est suffisamment dévissée pour permettre l'insertion de la clavette cours du montage.
- Fixer l'accouplement au volant du moteur avec les vis fournies, serrées en croix au couple approprié ci-après : 15 N·m (11 lbf·pi) pour les volants de 6½ po et de 7½ po, 27 N·m (20 lbf·pi) pour les volants de 8 po, de 10 po et de 11½ po et 68 N·m (50 lbf·pi) pour ceux de 14 po. (Pour tout autre accouplement, suivre les directives d'installation recommandées par le fabricant.)
- Placer la clavette dans la rainure de l'arbre de pompe (122) et aligner l'arbre sur l'accouplement. Introduire l'arbre de pompe dans l'accouplement jusqu'à ce que la ferrure ou l'adaptateur de pompe (340) touche le carter de volant.

FIXATION DE L'ACCOUPEMENT AU VOLANT

Accouplement de volant du type concentrique

- Ce type d'accouplement est concentrique par rapport au volant et est aligné sur celui-ci par emboîtement.
- S'assurer d'enlever tout enduit protecteur du volant du moteur.

- Emboîter l'accouplement dans le volant en prenant soin d'aligner les trous de vis. Au besoin, frapper l'accouplement avec une massette à panne douce pour s'assurer qu'il est bien appuyé contre le volant. Fixer l'accouplement solidement en place avec des vis d'assemblage et des rondelles-freins à ressort.

FIXATION DE LA POMPE AU MOTEUR

- Lever la pompe avec un appareil approprié et aligner l'arbre de pompe sur le moyeu d'accouplement. Le bout de l'arbre est biseauté pour en faciliter l'introduction dans l'accouplement.
- Par l'orifice d'aspiration de la pompe, faire tourner la roue légèrement jusqu'à ce que l'arbre pénètre dans le moyeu d'accouplement. S'assurer qu'il n'y a aucun espace entre la face de fixation de la ferrure de pompe et celle du carter de volant. Au besoin, faire tourner le corps de pompe pour aligner les trous de vis de la ferrure sur ceux du carter. Avec des vis d'assemblage, fixer la pompe solidement au carter.

NOTA: si l'on découvre des pièces incompatibles, impossibles à poser, etc. au cours de l'installation, NE PAS poursuivre le travail. S'en référer au distributeur Goulds Water Systems.

- Assujettir la pompe au moteur avec les rondelles-freins et les vis fournies, serrées en croix au couple approprié ci-dessous:
 - indices SAE nos 2, 3, 4, et 5 - 27 N·m (20 lbf·pi);
 - indice SAE n° 1 - 68 N·m (50 lbf·pi).
- Poser le carter d'accouplement (501N).
- Visser l'adaptateur de moteur (3) au support rigide précité.

ALIGNEMENT DE L'ACCOUPEMENT



OMETTRE LE VERROUILLAGE DU CIRCUIT D'ALIMENTATION ÉLECTRIQUE EN POSITION OUVERTE (HORS CIRCUIT) AVANT D'EFFECTUER TOUT TRAVAIL D'ENTRETIEN SUR LA POMPE PEUT CAUSER DES BLESSURES GRAVES.

POMPES SUR PALIER SEULEMENT

- On **DOIT** vérifier l'alignement avant la mise en service de la pompe (fig. 7).

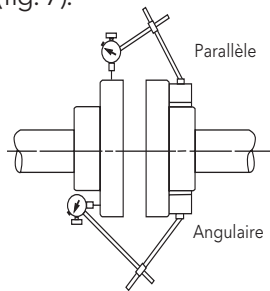


Figure 7

- Serrer tous les boulons de fixation avant de vérifier l'alignement.
- Lorsqu'un alignement est nécessaire, on doit toujours déplacer uniquement le moteur. Employer des cales au besoin.
- Désalignement parallèle (arbres parallèles mais non concentriques) - Fixer au moyeu d'un demi-accouplement un comparateur à cadran, dont on déplace le curseur de 360° le long de la jante de l'autre demi-accouplement tout en notant l'écart indiqué par l'aiguille. L'alignement est correct si le faux-rond total est de 0,254 mm (0,010 po) ou moins.

- Désalignement angulaire (arbres concentriques mais non parallèles) - Fixer au moyeu d'un demi-accouplement un comparateur à cadran et déplacer le curseur de celui-ci de 360° le long du plateau de l'autre demi-accouplement tout en notant l'écart indiqué par l'aiguille. L'alignement est correct si le faux-rond total est de 0,508 mm (0,020 po) ou moins.
- L'alignement final est correct quand il est conforme aux exigences sur l'alignement parallèle et angulaire après le serrage à fond des boulons de fixation du moteur.

AVIS: IL FAUT TOUJOURS VÉRIFIER LES DEUX TYPES D'ALIGNEMENT APRÈS CHAQUE RÉGLAGE MÉCANIQUE.

TUYAUTERIE

- Afin de réduire les pertes de charge (par frottement) au minimum, maintenir la tuyauterie aussi courte que possible, ne pas employer un calibre de tuyau inférieur à celui des raccords d'aspiration et de refoulement de la pompe ni utiliser d'accessoires ou de raccords de tuyauterie superflus.
- La tuyauterie **DOIT** posséder ses propres supports et N'appliquer **AUCUNE** contrainte sur la pompe.

AVIS: LA TUYAUTERIE NE DOIT APPLIQUER AUCUNE CONTRAINTE SUR LES RACCORDS D'ASPIRATION ET DE REFOULEMENT DE LA POMPE.

- Chaque joint **DOIT** être étanche.

ASPIRATION

- Si la hauteur d'aspiration dépasse 3 m (10 pi), et la température du liquide, 49°C (120°F), consulter la courbe de performances de la pompe pour obtenir la hauteur nette d'aspiration requise (NPSHR).
- Lorsqu'il faut un tuyau d'aspiration plus gros que l'orifice d'aspiration de la pompe, on **DOIT** poser un raccord réducteur excentré (la partie droite en haut) près de l'orifice.
- Si la pompe est plus basse que la source de liquide, poser un robinet-vanne sur le tuyau d'aspiration pour pouvoir effectuer l'inspection et l'entretien de la pompe.

AVIS: NE PAS EMPLOYER LE ROBINET-VANNE POUR RÉDUIRE L'ÉCOULEMENT DU LIQUIDE VERS LA POMPE, CAR CELA POURRAIT DÉSAMORCER CELLE-CI, EN CAUSER LA SURCHAUFFE ET L'ENDOMMAGER, ANNULANT AINSI LA GARANTIE.

- Lorsque la pompe est plus haute que la source de liquide, on **DOIT** suivre les directives suivantes :
 - Prévenir les poches d'air en ne posant aucun élément de la tuyauterie d'aspiration plus haut que le raccord d'aspiration de la pompe.
 - Incliner la tuyauterie vers le haut à partir de la source de liquide.
 - Employer un clapet de pied **SEULEMENT** s'il est nécessaire pour amorcer la pompe ou la maintenir amorcée au cours des interruptions de service.
 - La section de passage de la crépine ou de la tulipe d'aspiration doit être au moins le triple de celle du tuyau d'aspiration.
 - S'assurer que le diamètre (d) et la hauteur d'immersion (h) de l'orifice d'entrée du tuyau d'aspiration sont suffisants pour empêcher l'aspiration d'air par vortex (fig. 8 à 11).

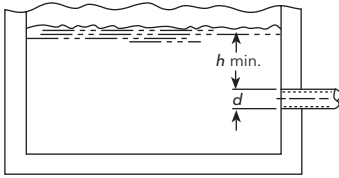


Figure 8

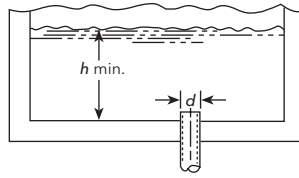


Figure 9

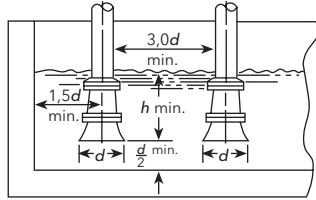


Figure 10

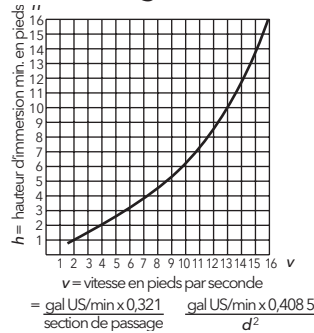


Figure 11

REFOULEMENT

- Poser un clapet de non-retour convenant au débit et aux liquides pompés. En aval du clapet, installer un robinet-vanne de section de passage appropriée pour la régularisation du débit ainsi que l'inspection et l'entretien de la pompe.
- Lorsqu'un raccord agrandisseur est nécessaire, le poser entre le clapet de non-retour et l'orifice de refoulement de la pompe.

CÂBLAGE ET MISE À LA TERRE



- ⚠ Installer la pompe, la mettre à la terre et la brancher suivant les prescriptions du code provincial ou national de l'électricité pertinent et les règlements locaux.
- ⚠ Poser un sectionneur tout conducteur près de la pompe.
- ⚠ Verrouiller le circuit d'alimentation électrique de la pompe en position ouverte (hors circuit) avant de procéder à l'installation ou à l'entretien de la pompe.

- ⚠ L'alimentation électrique **DOIT** être conforme aux spécifications de la plaque signalétique. Une tension inappropriée peut causer un incendie ou des dommages au moteur et annule la garantie.
- ⚠ Les moteurs monophasés non protégés **DOIVENT** être munis de contacteurs et de protections contre les surcharges thermiques, et les moteurs triphasés, de démarreurs à protection contre la surcharge. Consulter la plaque signalétique du moteur.
- N'utiliser que du fil de cuivre pour la mise à la terre et l'alimentation du moteur. Le calibre du fil de terre **DOIT** être au moins égal à celui des fils d'alimentation, et les fils devraient tous être chromocodés pour faciliter l'entretien.
- Suivre soigneusement le schéma de câblage sur la plaque signalétique ou le cache-bornes du moteur.



OMETTRE LA MISE À LA TERRE PERMANENTE DE LA POMPE, DU MOTEUR ET DES COMMANDES AVANT LE BRANCHEMENT À LA SOURCE DE COURANT PEUT CAUSER UN CHOC ÉLECTRIQUE, DES BRÛLURES OU LA MORT.

SENS DE ROTATION

AVIS : LA ROTATION DANS LE MAUVAIS SENS PEUT ENDOMMAGER LA POMPE ET ANNULE LA GARANTIE.

- La rotation appropriée est EN SENS HORAIRE (vers la droite), vue de l'extrémité du moteur. S'il s'agit d'une pompe sur palier, la mettre en marche, puis l'arrêter rapidement tout en vérifiant son sens de rotation. Dans le cas des pompes sur moteur, enlever l'obturateur ou le couvercle d'extrémité du moteur et vérifier le sens de rotation.
- Pour inverser la rotation des moteurs triphasés, en intervertir deux des conducteurs.

UTILISATION



NE PAS FAIRE FONCTIONNER LES POMPES SUR PALIER (ORDINAIRE OU SAE) SANS CARTER D'ACCOUPEMENT, CAR CELA POURRAIT CAUSER DES BLESSURES GRAVES.



ÉCLABOUSSER OU PLONGER UN MOTEUR ABRITÉ DANS UN LIQUIDE PEUT CAUSER UN INCENDIE, UN CHOC ÉLECTRIQUE, DES BRÛLURES OU LA MORT.



NE PAS FAIRE FONCTIONNER LA POMPE SI SON DÉBIT EST NUL OU PRESQUE, SINON IL POURRAIT EN RÉSULTER UN ÉCHAUFFEMENT EXCESSIF, DES BLESSURES OU DES DOMMAGES MATÉRIELS.

AVIS : NE PAS FAIRE FONCTIONNER LA POMPE À SEC POUR NE PAS ENDOMMAGER LA GARNITURE MÉCANIQUE.

- Faire fonctionner la pompe dans des conditions de service normales, attendre que le système se stabilise, puis vérifier la tuyauterie et en régler la position des supports au besoin.
- La différence de température entre la pompe sur palier et le moteur peut provoquer le désalignement de l'accouplement. Par conséquent, vérifier l'alignement de nouveau en respectant les directives et les avertissements de la section «**Alignement de l'accouplement**» ci-dessus.

ENTRETIEN



OMETTRE LE VERROUILLAGE DU CIRCUIT D'ALIMENTATION ÉLECTRIQUE EN POSITION OUVERTE (HORS CIRCUIT) AVANT D'EFFECTUER TOUT TRAVAIL D'ENTRETIEN SUR LA POMPE PEUT CAUSER UN CHOC ÉLECTRIQUE, DES BRÛLURES OU LA MORT.



**OMETTRE DE RÉDUIRE LA PRES-
SION DU SYSTÈME OU DE VIDAN-
GER CELUI-CI AVANT DE PROCÉDER
À L'ENTRETIEN PEUT CAUSER DES
DOMMAGES MATÉRIELS ET DES
BLESSURES, VOIRE LA MORT.**



**LORSQUE LES LIQUIDES POMPÉS
SONT DANGEREUX OU TOXIQUES,
ON DOIT RINCER LE SYSTÈME AVANT
D'EN EFFECTUER L'ENTRETIEN.**

GROUPES MONOBLOC

- Les roulements sont situés à l'intérieur du moteur. Suivre les directives du fabricant du moteur pour leur graissage.

POMPES SUR PALIER

- Les roulements de palier du modèle 3756, groupe S, sont graissés à vie. Il est donc impossible et inutile de les graisser.
- Les roulements de palier SAE et de palier modèle 3756, groupes M et L, devraient être graissés à la fin de la période suivante arrivant la première : 2 000 heures de fonctionnement ou trois mois de temps écoulé. Employer une graisse au lithium ou au sodium n° 2. Injecter la graisse dans le roulement jusqu'à ce qu'elle sorte par les garnitures ou les joints à lèvres, puis essuyer le surplus.
- Suivre les directives du fabricant du moteur et de l'accouplement pour le graissage.
- Vérifier l'alignement de nouveau.

ENTRETIEN SAISONNIER

- Avant la **MISE HORS SERVICE** de la pompe, enlever le bouchon de vidange et vidanger tous les tuyaux non protégés du gel.
- Avant la **REMISE EN SERVICE** de la pompe, garnir les filets du bouchon de vidange de ruban de Téflon^{MC} ou l'équivalent et reposer le bouchon.
- Si le tuyau d'aspiration a été séparé de la pompe, en examiner le raccord union, le réparer au besoin, puis raccorder le tuyau.
- Consulter la section «Utilisation» ci-dessus.

DÉMONTAGE

- Suivre **CHAQUE** avertissement et directive de la section «Entretien» ci-dessus.
- Groupes monobloc: enlever les boulons de fixation du moteur.
- Pompes sur palier: déposer le carter d'accouplement, la pièce d'écartement de l'accouplement, l'accouplement et les boulons de fixation du palier.

POMPE

1. Enlever les vis (13) du corps de pompe.
2. Écarter l'ensemble d'entraînement d'avec le corps de pompe (1).
3. Retirer la bague d'usure (4) du corps de pompe si elle est trop usée.

AVIS: NE PAS INSÉRER DE TOURNEVIS ENTRE LES AUBES DE LA ROUE POUR EMPÊCHER CELLE-CI DE TOURNER.

4. Dans le cas des groupes monobloc (pompes sur moteur), enlever l'obturateur ou le couvercle d'extrémité du moteur pour accéder à la fente ou aux méplats de blocage du bout d'arbre.
5. Bloquer l'arbre de la pompe sur moteur avec l'outil approprié et celui de la pompe sur palier avec un serre-tubes à sangle, puis enlever et jeter la vis (6) de la roue: on devra peut-être chauffer la vis au chalumeau d'abord.

AVIS: MANIPULER LA VIS DE LA ROUE AVEC PRÉCAUTION QUAND ELLE EST CHAUDE.

AVIS: POUR LES POMPES SUR PALIER SAE, ENLEVER LA VIS D'ARRÊT (22A), PUIS L'ÉCROU DE ROUE (22). ON DEVRA PEUT- ÊTRE CHAUFFER LA VIS ET L'ÉCROU D'ABORD.

6. Ôter la rondelle de roue (7).
7. Enlever la roue (2) **DÉLICATEMENT** au moyen de deux leviers placés entre celle-ci et le logement de garniture mécanique (3), dans un angle de 180°.
8. Ôter la clavette (8).
9. Déposer les vis (14) du logement de garniture mécanique (3), puis tirer le logement pour l'enlever avec la garniture. Jeter cette dernière ainsi que le joint torique (9) du logement. Pour les directives portant sur le presse- garniture, voir la section «**Presse-garniture**».
10. Enlever l'adaptateur (108).
11. Inspecter la chemise d'arbre (11). Si elle trop rayée, la chauffer au chalumeau, l'enlever et la jeter.
12. Pousser l'élément fixe de la garniture mécanique hors du logement et le jeter.
13. Dans le cas des logements de garniture munis d'une bague d'usure (5), enlever la bague si elle est trop usée.

DÉMONTAGE DU PALIER (ORDINAIRE OU SAE)

1. Ôter le déflecteur (123) de l'arbre.
2. Enlever le couvercle de palier (134).
3. Sortir l'ensemble arbre du palier.
4. Si les joints à lèvres 138 et 139 sont usés, les enlever du couvercle de palier (134) et du corps de palier (228) et les jeter.
5. Déposer la bague de retenue (361).
6. Avec un arrache-roulement ou une presse à mandriner, ôter les roulements (112 et 168).

REMONTAGE

- Chaque pièce devrait être nettoyée avant le remontage.

AVIS: ON DEVRAIT REMPLACER LE JOINT TORIQUE CHAQUE FOIS QUE LA POMPE EST DÉMONTÉE.

PALIER

1. Remplacer les joints à lèvres s'ils ont été enlevés.
2. Remplacer les roulements à billes s'ils ont du jeu, s'ils ne tournent pas rond ou s'ils sont bruyants.
3. Vérifier si l'arbre (122) comporte un faux-rond : le faux-rond maximal admissible est de 0,05 mm (0,002 po).
4. Voir les directives de graissage des pompes du groupe M dans la section «**Entretien**».

POMPE

1. Inspecter l'arbre et enlever les aspérités et les résidus.
2. Appliquer de l'apprêt Primer T de LOCQUIC^{MD} ou l'équivalent sur l'arbre : suivre les directives du fabricant avec soin.
3. Lorsque l'on pose une chemise d'arbre neuve, en enduire la paroi intérieure d'apprêt Primer T de LOCQUIC^{MD} ou l'équivalent. Laisser l'apprêt sécher, puis le recouvrir de LOCTITE^{MD} n° 262. Poser ensuite la chemise sur l'arbre dans un mouvement de rotation, puis essuyer l'arbre. Laisser le produit durcir suivant les directives pertinentes.

AVIS : LA GARNITURE MÉCANIQUE DOIT ÊTRE REMPLACÉE CHAQUE FOIS QU'ON L'ENLÈVE. SUIVRE LES DIRECTIVES DU FABRICANT DE LA GARNITURE AVEC SOIN. POUR LES PRESSE-GARNITURE, VOIR LA SECTION «**Presse-garniture**».

4. Si l'on a retiré la bague d'usure du logement de garniture mécanique, la remplacer.
5. On peut tremper l'élément fixe de la garniture mécanique dans l'eau pour en faciliter la pose. L'aligner ensuite avec soin sur son logement. En recouvrir la surface polie avec un morceau de carton mince ou d'essuie-tout. Pousser l'élément jusqu'au fond avec un morceau de plastique ou de bois rond pour répartir uniformément la force appliquée.

NOTA : si la garniture mécanique est munie d'un anneau élastique, enlever et jeter celui-ci.

6. Poser l'adaptateur sur le moteur, la face plate de l'adaptateur contre le moteur.
7. Mettre le joint torique sur le logement de garniture. On peut glycériser ou tremper le joint dans l'eau pour en faciliter la pose. Poser le logement de garniture sur l'adaptateur. Prendre garde que l'arbre ne déloge l'élément fixe de la garniture ni n'en endommage le siège.
8. Poser l'élément mobile de la garniture sur l'arbre en l'alignant avec soin et en le poussant à fond contre l'élément fixe.

AVIS : REMPLACER LA VIS ET LA RONDELLE DE ROUE CHAQUE FOIS QUE L'ON DÉPOSE LA ROUE.

9. Insérer la clavette de la roue dans sa rainure, poser la roue sur l'arbre, la pousser à fond et la maintenir en place. Dans le cas des pompes sur palier SAE, enduire d'abord de Loctite 271 la rainure de clavetage, la paroi intérieure alésée de la roue et la surface correspondante de l'arbre, puis poser la roue sur l'arbre, la pousser à fond et la maintenir en place.
10. Poser une rondelle de roue neuve. Il n'y a pas de rondelle de roue dans les pompes sur palier SAE.
11. Enduire de Loctite 271 (ou l'équivalent) les filets de la vis de roue neuve, puis poser la vis et la serrer au couple approprié ci-dessous :
vis $\frac{3}{8}$ - 16 – 27 N·m (20 lbf·pi);
vis $\frac{1}{2}$ - 13 – 51 N·m (38 lbf·pi);
(aucune vis de roue dans les pompes sur palier SAE).
12. S'il s'agit d'une pompe sur palier SAE, enduire de Loctite 271 les filets du bout d'arbre et ceux de l'écrou de roue (22), poser l'écrou et le serrer au couple approprié suivant :
écrou de $\frac{1}{2}$ po (SAE, groupe M) – 107 N·m (80 lbf·pi);
écrou de $\frac{3}{4}$ po (SAE, groupe L) – 134 N·m (100 lbf·pi).
13. Une fois l'écrou de roue (pompe sur palier SAE) en place, mettre du Loctite 271 sur la vis d'arrêt (22A), poser la vis sur l'écrou et la serrer à la main.

14. Si l'on a retiré la bague d'usure du corps de pompe, la remplacer.
 15. Poser les vis du corps de pompe et les serrer en croix au couple approprié ci-dessous :
vis $\frac{3}{8}$ - 16 (corps en bronze) – 34 N·m (25 lbf·pi);
vis $\frac{3}{8}$ - 16 (corps en fonte) – 50 N·m (37 lbf·pi);
vis $\frac{1}{2}$ - 13 (corps en fonte) – 122 N·m (90 lbf·pi);
vis $\frac{3}{4}$ - 10 po (corps en fonte) – 237 N·m (175 lbf·pi).
 16. Une fois la pompe remontée, faire tourner l'arbre par l'extrémité du moteur avec l'outil approprié pour vérifier s'il y a grippage.
 17. En cas de grippage ou de frottement, desserrer les vis du corps de pompe, puis les serrer de nouveau.
 18. Dans le cas des groupes monobloc, reposer les boulons de fixation, puis l'obturateur ou le couvercle d'extrémité du moteur.
 19. S'il s'agit d'une pompe sur palier, reposer l'accouplement, la pièce d'écartement, le carter d'accouplement et les boulons de fixation du palier.
- AVIS :** IL FAUT TOUJOURS VÉRIFIER LES DEUX TYPES D'ALIGNEMENT APRÈS CHAQUE RÉGLAGE MÉCANIQUE.
20. Voir la section «**Alignement de l'accouplement**» pour aligner celui-ci de nouveau.
 21. Le remontage est maintenant terminé.

PRESSE-GARNITURE

1. S'assurer que le presse-garniture est propre et exempt de corps étrangers avant d'y placer la garniture. Voir le presse-garniture illustré dans la section «Pièces de rechange – séries 3656 et 3756».
2. Poser les anneaux de garniture avec précaution parce qu'ils sont matricés. Mettre chaque anneau en place en écartant les extrémités par torsion juste assez pour y introduire la chemise d'arbre. **NE PAS ESSAYER D'ÉCARTER LES EXTRÉMITÉS EN LIGNE DROITE.** Voir la figure 12.

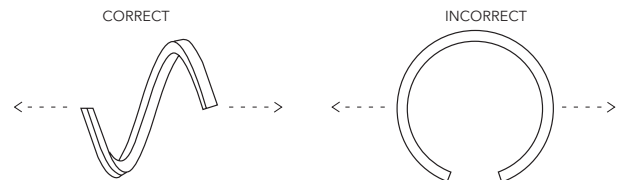
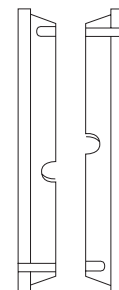


Figure 12

3. Placer les deux pièces en Téflon (fournies) de la lanterne d'arrosage comme le montre la figure 13. Les encoches doivent être l'une en face de l'autre, sans être obligatoirement alignées.



Lanterne d'arrosage en Téflon (2 pièces)
Figure 13

- On pose les éléments de garniture dans l'ordre suivant: deux anneaux de garniture, deux pièces de lanterne d'arrosage, trois anneaux de garniture. Placer le joint de chaque anneau à 90° par rapport à celui de l'anneau précédent. Introduire et pousser chaque élément séparément et à fond. Pour ce faire, il est recommandé d'employer une douille de bois en deux pièces (fig. 14), enfoncée à l'aide du fouloir. S'assurer que la lanterne d'arrosage est bien en face de l'orifice d'admission du liquide de rinçage. Les anneaux de garniture supplémentaires servent de rechanges.

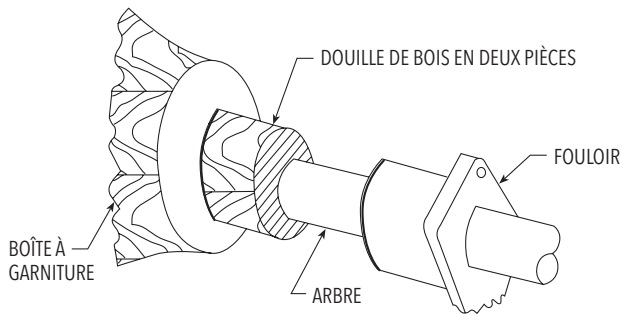


Figure 14

- Poser les écrous sur les goujons du fouloir et les serrer légèrement et uniformément. Après la mise en marche de la pompe, les serrer davantage et lentement jusqu'à ce que le débit de suintement soit de 40-60 gouttes par minute. On peut utiliser une graisse lubrifiante quand le liquide pompé contient des particules abrasives ou que la pression à l'entrée de la pompe est inférieure à la pression atmosphérique.

ENLÈVEMENT DE LA GARNITURE

- Suivre les étapes ci-dessous pour retirer la garniture du presse-garniture.
 - Enlever le fouloir.
 - Extraire la garniture avec un «crochet à garniture».
 - Introduire un crochet en métal dans un des orifices du pourtour des pièces de lanterne d'arrosage, puis retirer ces dernières.
 - Nettoyer le presse-garniture.

GRAISSEUR PRIME SAFE (en option – groupes M et L seulement)

- Le graisseur Prime Safe peut être fourni avec un lubrificateur à graisse ou à huile.
 - La boîte de lubrification (24) est marquée de la lettre G ou O et possède deux orifices de 1/8 po, NPT, pour la pose du lubrificateur.
 - Si l'on choisit le lubrificateur à graisse (23), la boîte de lubrification portera la lettre G, placée en haut, et le lubrificateur sera monté dans un angle de 30° par rapport à l'horizontale pour permettre l'accès à son téton de graissage. Le joint à lèvres(s) 26 sera posé sur la boîte de lubrification comme le montre la figure 10.

- Dans le cas du lubrificateur à huile, la boîte de lubrification portera la lettre O, placée en haut, et les deux orifices de 1/8 po, NPT, seront montés à l'horizontale pour assurer une bonne lubrification. Le joint à lèvres(s) 26 sera toutefois posé sur la boîte de lubrification en sens inverse par rapport à celui de la figure 15.
- La pose du lubrificateur peut nécessiter l'emploi de tubes et de raccords, qui seront fournis par l'usine selon le cas.
- Le lubrificateur à graisse (23) vient avec trois ressorts (argent, rouge et bleu). Le choix du ressort est fonction de la température de service et de la graisse utilisée :

Température de service	Ressort de lubrificateur à graisse		
	Graisse n° 1	Graisse n° 2	Graisse n° 3
-23°C (-10°F) à 4°C (40°F)	ARGENT	ROUGE	
-40°C (-40°F) à 43°C (110°F)	ARGENT	ARGENT	ROUGE
-79°C (-110°F) à 93°C (200°F)	BLEU	ARGENT	ARGENT

Employer de l'huile SAE 30W pour le lubrificateur à huile.

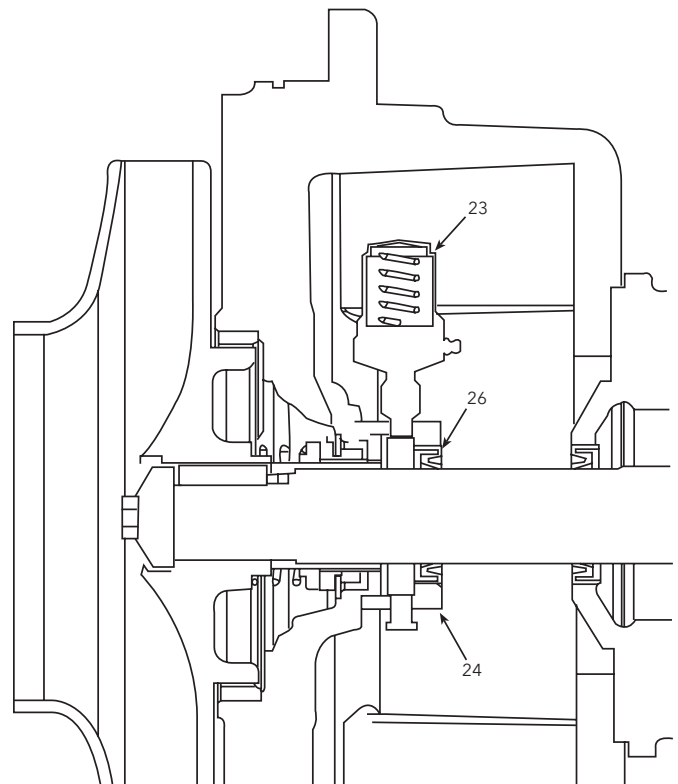


Figure 15

DIAGNOSTIC DES ANOMALIES



VERROUILLER LE CIRCUIT D'ALIMENTATION ÉLECTRIQUE EN POSITION OUVERTE (HORS CIRCUIT) AVANT D'EFFECTUER TOUT TRAVAIL D'ENTRETIEN SUR LA POMPE. OMETTRE CE POINT PEUT CAUSER UN CHOC ÉLECTRIQUE, DES BRÛLURES OU LA MORT.

ANOMALIE

LE MOTEUR NE FONCTIONNE PAS.

(V. causes probables 1 à 5.)

LE DÉBIT DE REFOULEMENT EST FAIBLE OU NUL.

(V. causes probables 6 à 13.)

LA POMPE CONSOMME TROP D'ÉNERGIE.

(V. causes probables 3, 13, 14 et 15.)

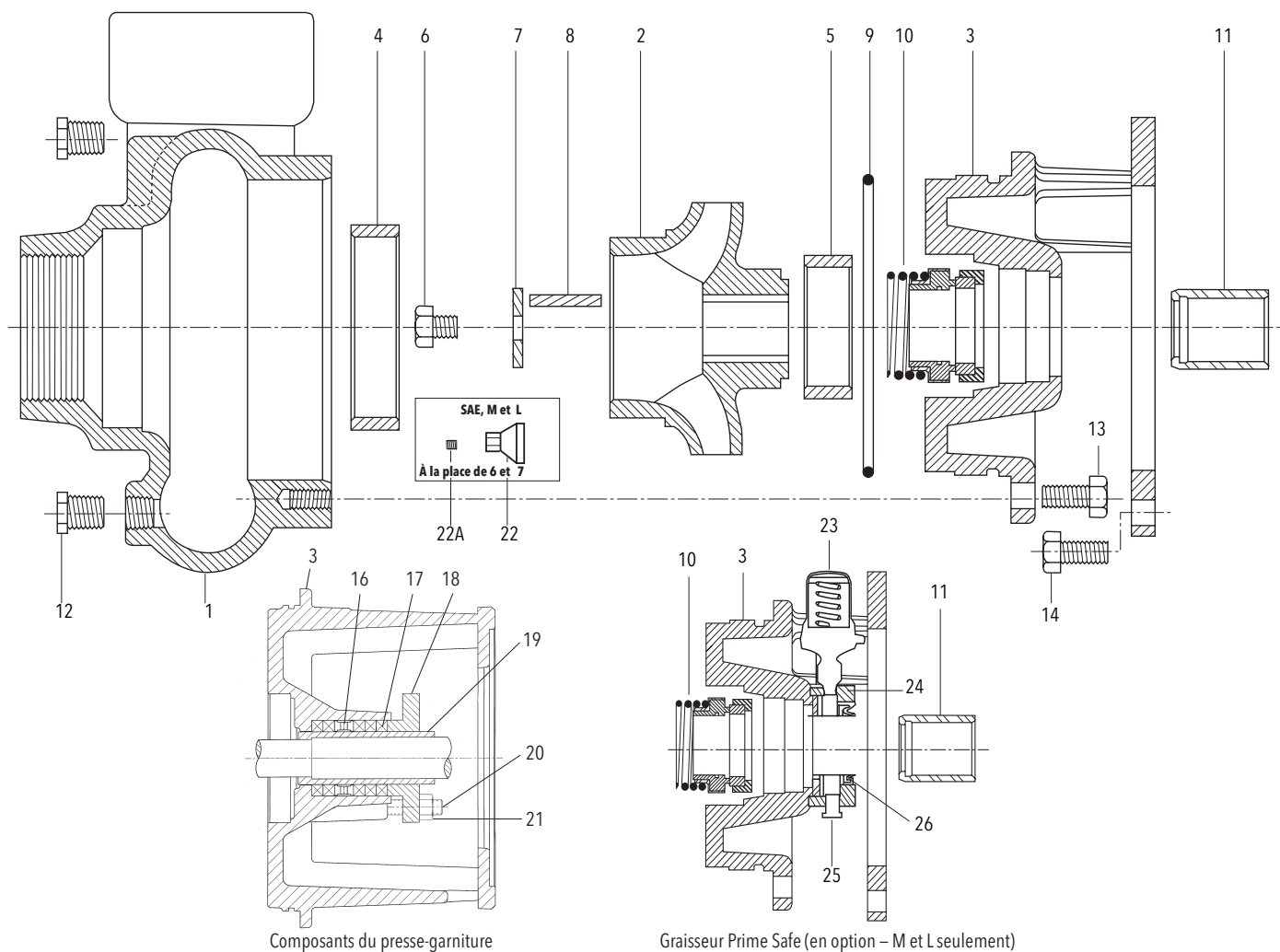
LA VIBRATION ET LE BRUIT SONT EXCESSIFS.

(V. causes probables 3, 6, 7, 10, 12, 14, 16, et 17.)

CAUSES PROBABLES

1. Protecteur thermique du moteur déclenché
2. Disjoncteur ouvert ou fusible sauté
3. Roue grippée
4. Câblage incorrect
5. Moteur défectueux
6. Pompe non amorcée, air ou gaz présent dans le liquide pompé
7. Tuyau d'aspiration ou de refoulement obstrué ou robinet(s) fermé(s)
8. Mauvais sens de rotation (moteurs triphasés seulement)
9. Basse tension électrique ou perte de phase
10. Roue usée ou engorgée
11. Hauteur de charge trop élevée du système
12. Hauteur nette d'aspiration disponible (NPSHA): hauteur ou perte d'aspiration excessives
13. Diamètre de roue inapproprié
14. Hauteur de refoulement trop faible - débit excessif
15. Viscosité ou densité trop élevée du liquide
16. Roulement usé
17. Pompe, moteur ou tuyauterie mal assujettis

PIÈCES DE RECHANGE - SÉRIES 3656 ET 3756



COMPOSANTS DE LA POMPE

N° d'article	Description	Matériau
1	Corps de pompe	Fonte ou laiton au silicium*
2	Roue	
3	Adaptateur	
4	Bague d'usure (corps de pompe)	Fonte ou bronze*
5**	Bague d'usure (logement de garniture méc.)	
6	Vis (roue)	Inox AISI, type 300
7	Rondelle (roue)	
8	Clavette de roue	Acier
9	Joint torique (logem. de garn. méc.. - matér. opt.)	Buna-N, E-P [®] , Viton
10	Garniture mécanique	(communiquer avec l'usine)
11	Chemise d'arbre	Inox AISI, type 300
12	Bouchon de vidange, 1/4 et 3/8 po NPT	Acier zingué
13	Vis à tête hex. (adaptateur-corps de pompe)	
14	Vis à tête hex. (adapt.-moteur, adapt.-palier)	
15	Vis à tête hex. (adaptateur-logem. de garn.)	
16	Lanterne d'arrosage	Téflon ^{MC}
17	Anneaux de garniture (cinq)	Téflon ^{MC} imprégné
18	Fouloir	Inox AISI 300
19	Chemise d'arbre	Inox AISI, type 300
20	Goujon de fouloir	
21	Écrou de fouloir	
22	Écrou de roue (SAE seulement)	Inox 304
22A	Vis d'arrêt de l'écrou de roue (SAE seulement)	
23	Lubrificateur à graisse (lubrific. à huile en option)	Polycarbonate

COMPOSANTS DE LA POMPE (suite)

N° d'article	Description	Matériau
24	Boîte de lubrification	Aluminium
25	Bouchon de tuyau	Acier zingué
26	Joint à lèvres(s)	Buna

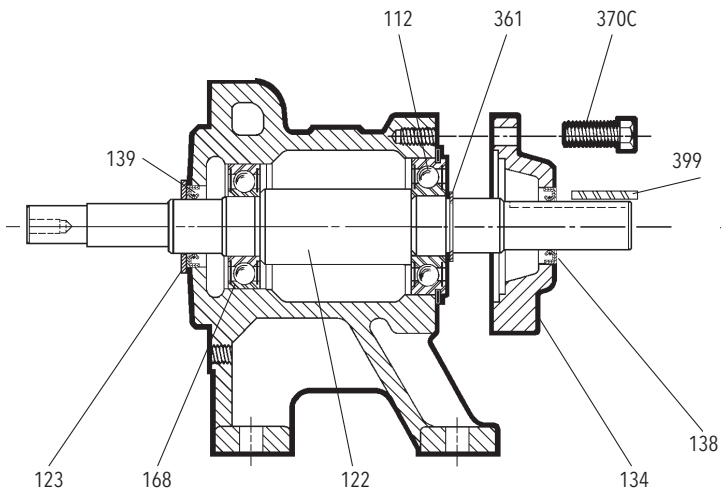
* Sans plomb ; [®] E-P = éthylène-propylène.

** L'article 5 est fourni pour le groupe S, dimensions 2 1/2x3-7 (7 1/2, 10 et 15 hp), et le groupe M (sauf les dimensions 3x4-10).

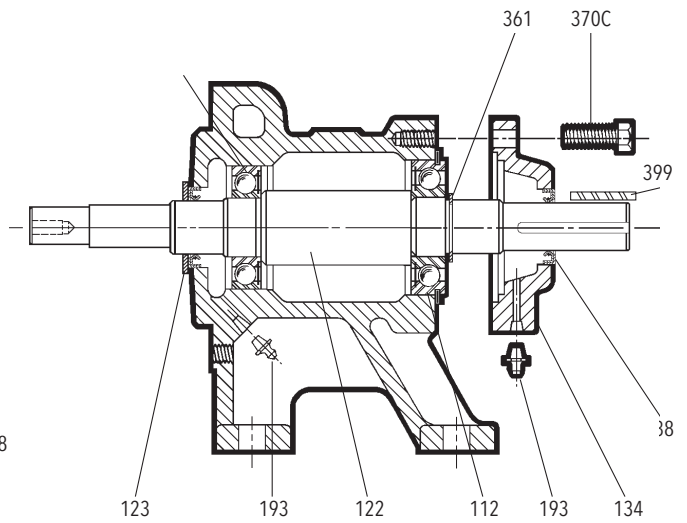
COMPOSANTS DES PALIERS (v. page suivante)

N° d'article	Description	Matériau
112	Roulement à billes externe	Acier
122	Arbre de pompe	
122A	Arbre de pompe (SAE)	Acier AISI 4140
123	Défecteur annulaire en V	Buna-N
134	Couvercle de palier	Fonte
138	Joint à lèvres(s) externe	Buna-N
139	Joint à lèvres(s) interne	
168	Roulement à billes interne	Acier
193	Graisseur (groupes M et L)	
327C	Vis (couvercle de l'adaptateur) - SAE seulement	Acier zingué
340	Adaptateur de moteur thermique SAE	Fonte
361	Bague de retenue	Acier
370C	Vis à tête hex. (couvercle-palier)	Acier zingué
371C	Vis à tête hex. (adaptateur-palier) - SAE seulement - (non montrée)	Acier
399	Clavette (accouplement)	
501N	Couvercle de l'adaptateur - SAE seulement	Acier galvanisé

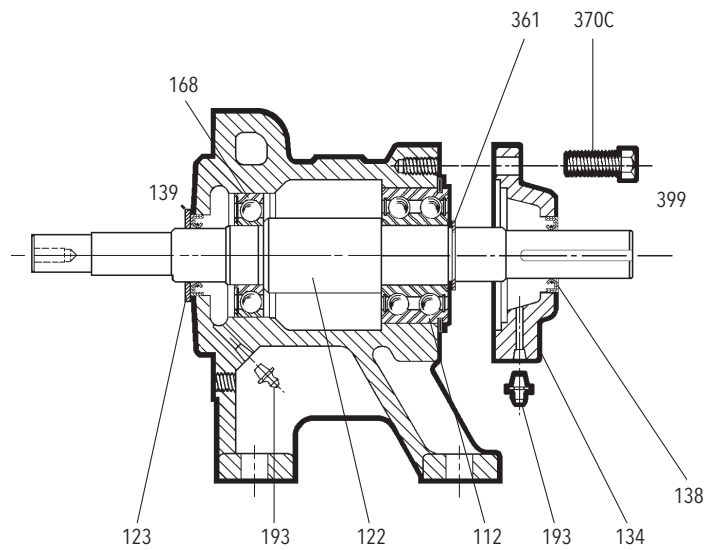
PALIER - SÉRIES 3656 ET 3756



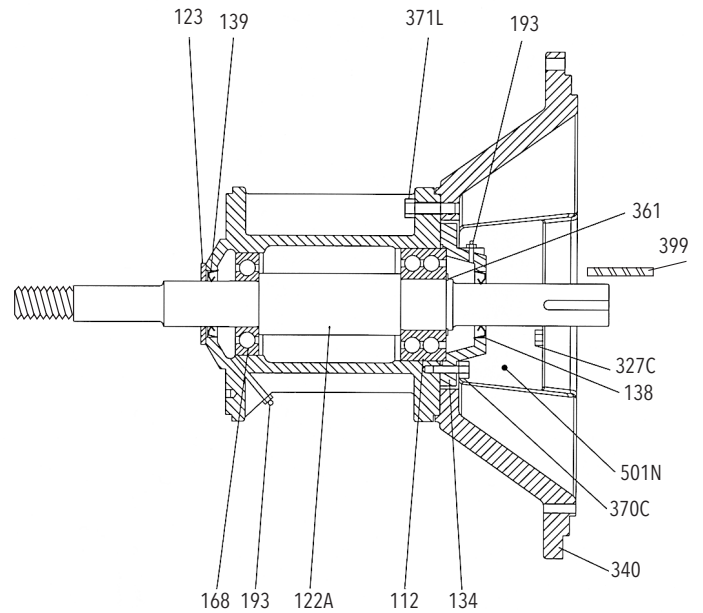
Palier du groupe S



Palier du groupe M



Palier du groupe L



Palier SAE

NOTES

NOTES

Declaration of Conformity

We at,
Goulds Water Technology/Xylem Inc.
1 Goulds Drive
Auburn, NY 13021

Declare that the following products: NPE, MCS, MCC, 3656, 3656 SP, GB, e-SV, SVI, NPO, Prime Line SP, HB, HMS, LC, NPV, LB, LBS comply with Machine Directive 06/42/EC. This equipment is intended to be incorporated with machinery covered by this directive, but must not be put into service until the machinery into which it is to be incorporated has been declared in conformity with the actual provisions of the directive.

Declaración de Conformidad

Nosotros en
Goulds Water Technology/Xylem Inc.
1 Goulds Drive
Auburn, NY 13021

Declaramos que los siguientes productos: NPE, MCS, MCC, 3656, 3656 SP, GB, e-SV, SVI, NPO, Prime Line SP, HB, HMS, LC, NPV, LB, LBS cumplen con las Directivas para Maquinarias 06/42/EC. Este equipo ha sido diseñado para ser incorporado a la maquinaria cubierta por esta directiva pero no debe ponerse en funcionamiento hasta que se declare que la maquinaria en la que será incorporado cumple con las disposiciones reales de la directiva.

Déclaration de Conformité

Nous, à
Goulds Water Technology/Xylem Inc.
1 Goulds Drive
Auburn, NY, U.S.A. 13021,

déclarons que les produits NPE, MCS, MCC, 3656, 3656 SP, GB, e-SV, SVI, NPO, Prime Line SP, HB, HMS, LC, NPV, LB et LBS sont conformes à la directive 06/42/EC (législation relative aux machines). Ils sont destinés à être intégrés dans la machinerie faisant l'objet de ladite directive, mais ne doivent pas être mis en service tant que la machinerie en question ne sera pas déclarée conforme aux stipulations de la directive.

GARANTIE POUR UTILISATION COMMERCIALE

Pour les biens vendus aux acheteurs commerciaux, le vendeur garantit les biens vendus ci-dessous (sauf pour les membranes, joints d'étanchéités, joints, matériaux en élastomère, revêtements et autres « pièces d'usure » ou articles consommables, ces derniers n'étant pas garantis sauf indication contraire sur le formulaire de soumission ou de vente) seront (i) intégrés selon les spécifications indiquées sur la soumission ou le formulaire de vente, si ces spécifications font partie intégrantes de cette entente, et (ii) sont libres de toute défectuosité matériel et de fabrication pendant une période de un (1) an depuis la date d'installation ou douze (12) mois depuis la date d'expédition (la date d'expédition ne sera pas ultérieure à dix-huit (18) mois après la réception de l'avis que les biens sont prêts à être expédiés), la première instance à survenir, à moins qu'une période plus longue n'ait été indiquée sur la documentation du produit (la « Garantie »).

Sauf mention contraire dans les lois, le vendeur, à son choix et sans frais pour l'acheteur, réparera ou remplacera tout produit défectueux en vertu de la garantie pour autant que l'acheteur donne un avis écrit au vendeur de toutes défectuosités matérielles ou de main d'oeuvre dans les dix (10) jours de la première occurrence d'un défaut ou non conformité. En vertu de l'option de réparation ou de remplacement, le vendeur n'est soumis à aucune obligation de retirer ou de faire retirer le produit défectueux ni d'installer ou de payer pour l'installation du produit réparé ou remplacé. L'acheteur ne peut être tenu responsable de tout autre frais, incluant, entre autre, frais de réparation, d'expéditions et dépenses. Le vendeur à son entière discrétion choisira la méthode ou le moyen de réparation ou de remplacement. Le défaut de l'acheteur de se conformer aux directives de réparation ou de remplacement du vendeur conclura les obligations du vendeur en vertu de la présente garantie et annulera la garantie. Toutes pièces réparées ou remplacées en vertu de la garantie seront couvertes uniquement pour la durée de la garantie restante sur les pièces ayant été réparées ou remplacées. Le vendeur n'aura aucune obligation de garantie envers l'acheteur pour tout produit ou pièces du produit ayant été : (a) réparées par une tierce partie autre que le vendeur ou sans l'approbation écrite du vendeur; (b) soumises à une mauvaise utilisation, mauvaise application, négligence, altération, accident ou dommage physique; (c) utilisées de manière contraire aux directives d'installation, d'opération et d'entretien du vendeur; (d) endommagées par une usure normale, corrosion ou produits chimiques; (e) endommagées par des conditions anormales, vibrations, défaut d'une amorce adéquate ou opération sans débit; (f) endommagées par une alimentation électrique défectueuse ou une mauvaise protection électrique; ou (g) endommagées par l'utilisation d'un accessoire n'ayant pas été vendu ou approuvé par le vendeur. Dans le cas de produits n'ayant pas été fabriqués par le vendeur, ce dernier n'offre aucune garantie; cependant le vendeur fera profiter l'acheteur de toute garantie qu'il aura reçu du fournisseur de tels produits.

LA PRÉSENTE GARANTIE EST EXCLUSIVE ET REMPLACE TOUTE AUTRE GARANTIE OU CONDITIONS EXPRESSES OU IMPLICITES DE QUELQUE NATURE SE RAPPORTANT AUX BIENS FOURNIS CI-APRÈS, INCLUSANT, SANS LIMITE, TOUTE GARANTIE IMPLICITE DE QUALITÉ MARCHANDE ET DE CONFORMITÉ À DES FINS PARTICULIÈRES, QUI SONT RÉFUTÉES EXPRESSÉMENT ET EXLUES. SAUF MENTION CONTRAIRE DANS LES LOIS, LE SEUL RECOURS DE L'ACHETEUR ET LA RESPONSABILITÉ DU VENDEUR EN CAS DE BRIS D'UNE DES GARANTIES CI-APRÈS EST LIMITÉ À LA RÉPARATION OU AU REMPLACEMENT DU PRODUIT ET SERA DANS TOUS LES CAS LIMITÉ AU MONTANT PAYÉ PAR L'ACHETEUR POUR LE PRODUIT DÉFECTUEUX. EN AUCUN CAS, LE VENDEUR NE POURRA ÊTRE TENU RESPONSABLE DE TOUTES AUTRES FORMES DE DOMMAGES, QU'IL SOIT DIRECT, INDIRECT, LIQUIDÉ, ACCIDENTEL, CONSÉCUTIF, PUNITIF, EXEMPLAIRE OU DOMMAGES SPÉCIAUX, INCLUANT, ENTRE AUTRES, PERTE DE PROFIT, PERTE D'ÉCONOMIE PRÉVUE OU DE REVENU, PERTE DE RENTRÉE MONÉTAIRE, PERTE DE CLIENTÈLE, PERTE DE PRODUCTION, PERTE D'OPPORTUNITÉ OU PERTE DE RÉPUTATION.



Xylem Inc.
2881 East Bayard Street Ext., Suite A
Seneca Falls, NY 13148
Téléphone: (800) 453-6777
Télécopie: (888) 322-5877
www.xylem.com/goulds

Goulds est une marque déposée de Goulds Pumps, Inc. et est utilisé sous le permis.
© 2022, Xylem Inc. IM010 Révision numéro11 Mai 2022