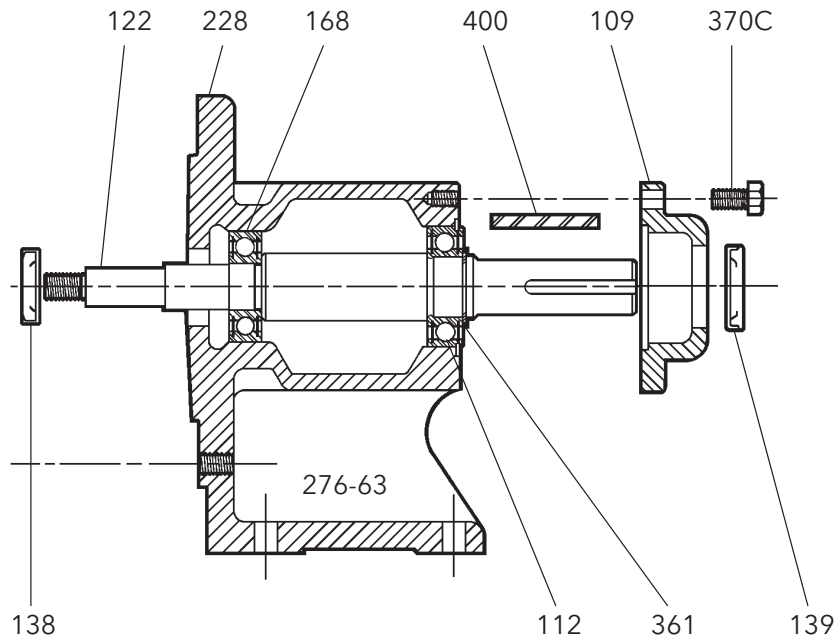


# XS-Group Power Frame

FOR MODELS NPE-F, ICS-F, 3742

REPAIR PARTS / RXSPFRAM R2



ITEM NO.	PART NO.	DESCRIPTION	MATERIAL
109	1K267	Bearing cover	Cast iron
228	1K268	Bearing frame	Cast iron
122	4K377	Shaft - bearing frame	AISI 303 SS
400	4K11	Shaft key - motor end	
168	4K384	Ball bearing - inboard bearing	Steel
112	4K385	Ball bearing - outboard bearing	
138	5K551	V-ring - inboard	BUNA-N/steel
139	5K552	V-ring - outboard	
361	5K211	Retaining ring	
370C	13K179	Hex head cap screw - bearing cover	Steel

For parts pricing and package stock quantities, refer to published parts price list using "K" part no. listed above.

**For complete power frame assembly, order part number 1K1123.**



# Xylem |'zīləm|

- 1) The tissue in plants that brings water upward from the roots;
- 2) a leading global water technology company.

We're a global team unified in a common purpose: creating advanced technology solutions to the world's water challenges. Developing new technologies that will improve the way water is used, conserved, and re-used in the future is central to our work. Our products and services move, treat, analyze, monitor and return water to the environment, in public utility, industrial, residential and commercial building services settings. Xylem also provides a leading portfolio of smart metering, network technologies and advanced analytics solutions for water, electric and gas utilities. In more than 150 countries, we have strong, long-standing relationships with customers who know us for our powerful combination of leading product brands and applications expertise with a strong focus on developing comprehensive, sustainable solutions.

**For more information on how Xylem can help you, go to [www.xylem.com](http://www.xylem.com)**

---

## **Xylem Inc.**

2881 East Bayard Street Ext., Suite A, Seneca Falls, NY 13148

Phone: (866) 673-0428 Fax: (888) 322-5877

[www.xylem.com/goulds](http://www.xylem.com/goulds)

Goulds is a registered trademark of Goulds Pumps, Inc. and is used under license.

© 2020 Xylem Inc. RXSPFRAM R2 March 2020

