



6HSZ, 8HSZ, 11HSZ, 16HSZ

1.35-3.5 M³/H .37-1.1 KW, 50 HZ SUBMERSIBLE PUMPS

50 Hz Residential Water Systems

FEATURES

Powered by Goulds Water Technology 4" motors for dependable operation and long service life.

Nylon discharge head features built-in, o-ring seal check valve which is easily removed without pump disassembly.

Nylon motor adapter for strength and corrosion resistance.

Stainless steel hex design shafts, shaft couplings, casings and stage bowls inhibit corrosion.

Glass filled engineered composite impellers for abrasion resistance and durability.

Glass filled engineered composite diffusers are abrasion resistant.

All engineered composite components are non-toxic, non-leaching, FDA compliant materials.

Goulds Water Technology field proven floating impeller stack design for superior sand and abrasive handling and durability.

QUAD LOCK TECHNOLOGY

4 roll formed grooves provides one of the strongest connection available

Provides the durability and sealing needed in the toughest conditions

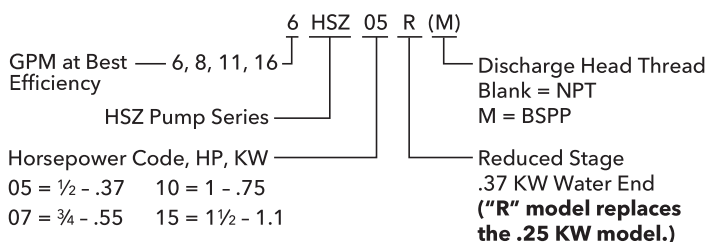
Tensile strength tested to exceed strength of poly and PVC Pipe



SPECIFICATIONS

Model	KW Range	Rec. Flow Range m ³ /h	Best Eff. m ³ /h	1¼ Discharge	Minimum Well Diameter	Rotation
6HSZ	.37-.75	.3-2	1.35	NPT or BSPP	4"	CCW when observed from pump end
8HSZ	.37-.75	.5-2.7	1.8			
11HSZ	.37-1.1	.75-4	2.5			
16HSZ	.55-1.1	1-5.8	3.5			

NOMENCLATURE



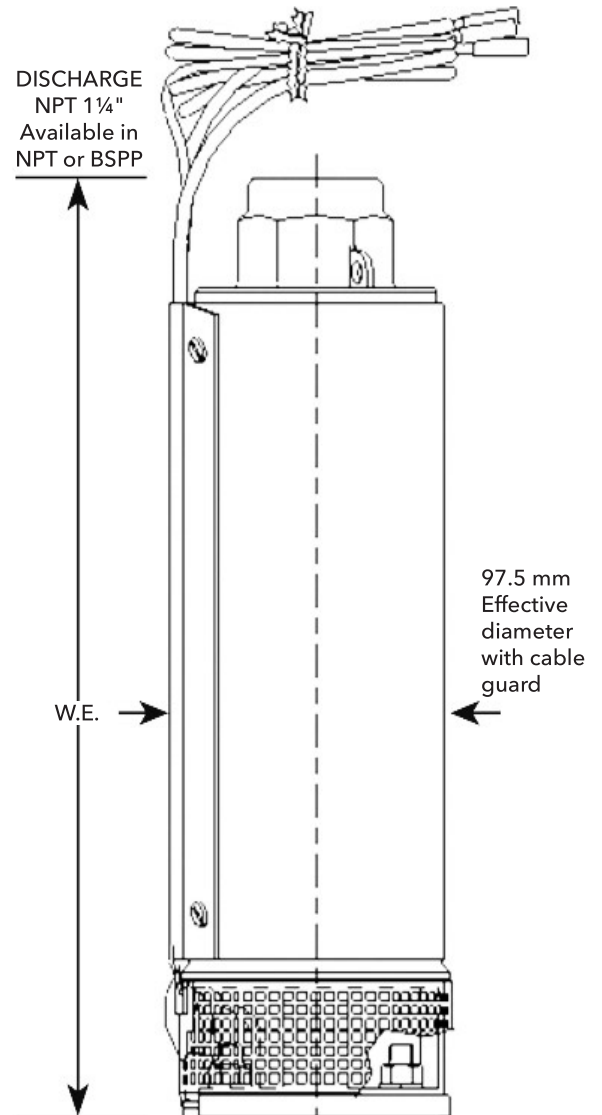
50 Hz Residential Water Systems

WATER END DATA

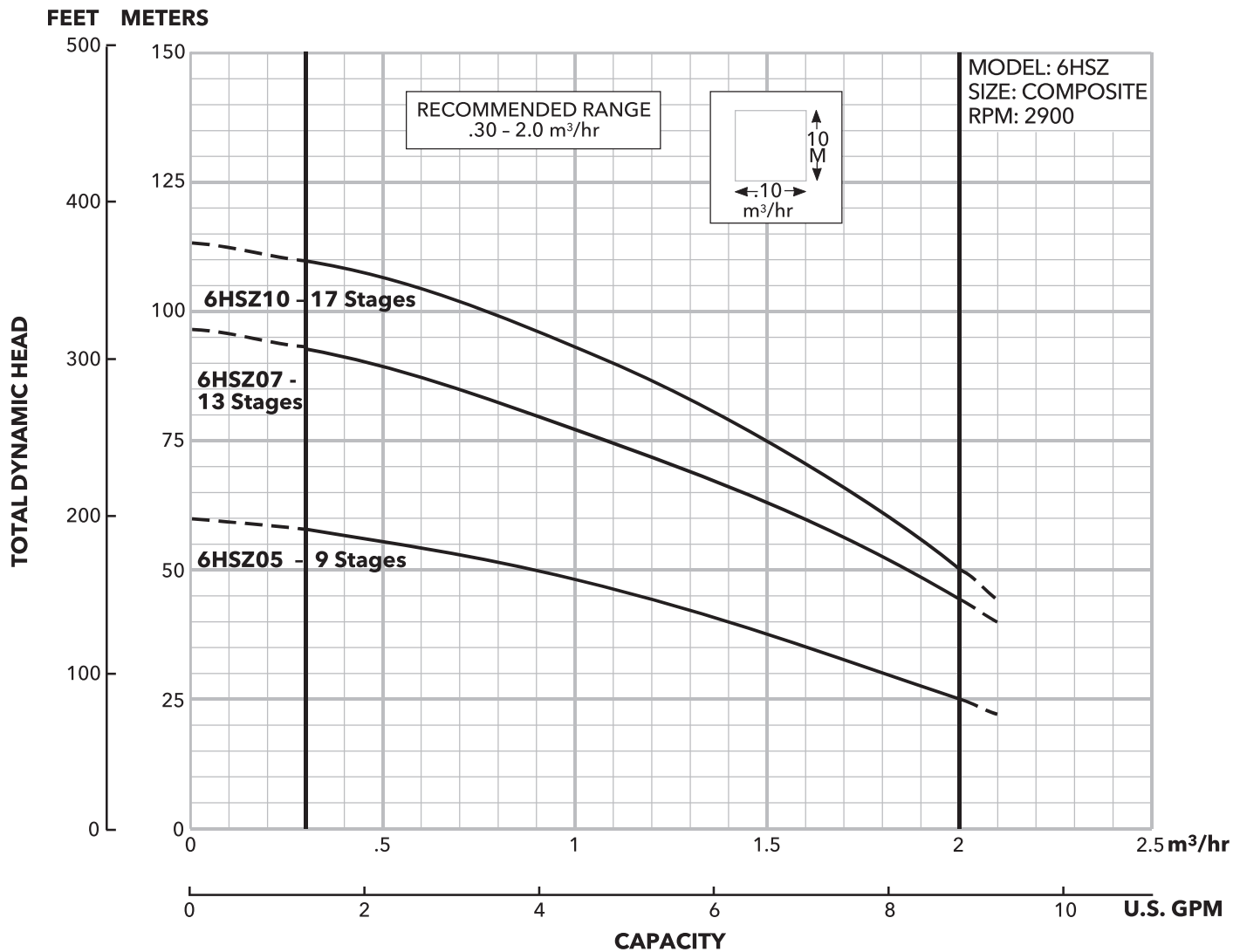
Series	Product No.	Stages	W.E. Length		W.E. Weight		Req. Min.	
			MM	In.	Kg	Lbs.	Kw	HP
6	6HSZ05	9	342.81	13.50	2.09	4.6	0.37	0.5
	6HSZ07	13	415.40	16.35	2.68	5.9	0.55	0.75
	6HSZ10	17	488.00	19.21	3.27	7.2	0.75	1
8	8HSZ05	7	301.98	11.89	1.77	3.9	0.37	0.5
	8HSZ07	10	354.48	13.96	2.22	4.9	0.55	0.75
	8HSZ10	14	424.48	16.71	2.81	6.2	0.75	1
11	11HSZ05	5	266.98	10.51	1.50	3.3	0.37	0.5
	11HSZ07	8	319.48	12.58	1.95	4.3	0.55	0.75
	11HSZ10	11	371.98	14.65	2.40	5.3	0.75	1
	11HSZ15	16	459.49	18.09	3.67	8.1	1.1	1.5
16	16HSZ07	7	330.96	13.03	1.90	4.2	0.55	0.75
	16HSZ10	9	374.24	14.73	2.22	4.9	0.75	1
	16HSZ15	14	482.45	18.99	3.17	7	1.1	1.5

MATERIALS OF CONSTRUCTION

Part Name	Material
Discharge Head	Glass Filled Engineered Composite
Check Valve Poppet	Delrin®
Check Valve O-ring	NBR
Bearing	Proprietary Engineered Polymer
Shaft Retaining Ring	AISI 301 SS
Diffuser	Glass Filled Engineered Composite
Impeller	Glass Filled Engineered Composite/ GFN2
Bowl	AISI 304 SS
Shim	AISI 304 SS
Inlet Strainer	Glass Filled Engineered Composite
Screws - Cable Guard	AISI 304 SS
Motor Adapter	Glass Filled Engineered Composite
Casing	AISI 304 SS
Shaft	
Coupling	AISI 304 SS, Powder Metal
Cable Guard	PVC

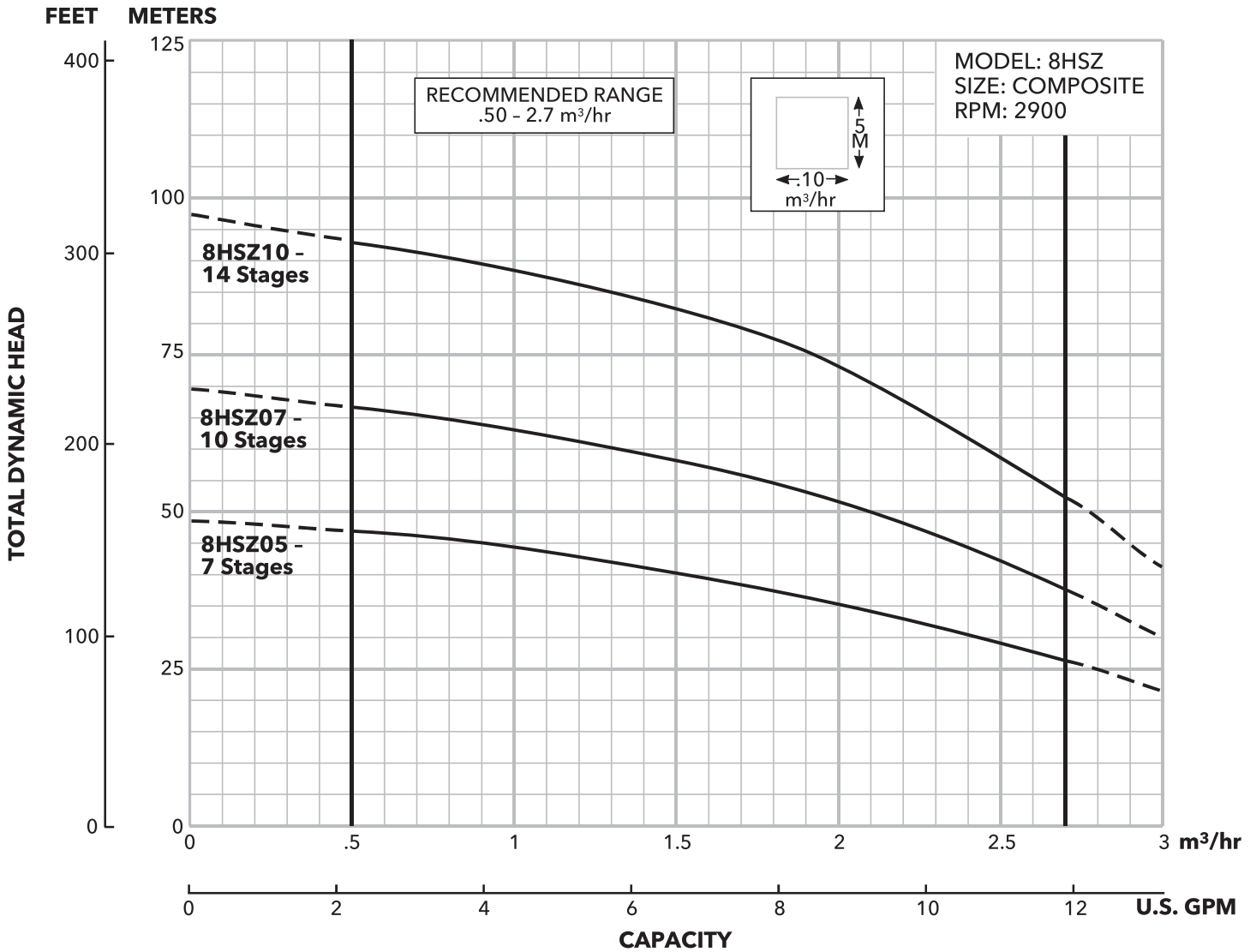


MODEL 6HSZ

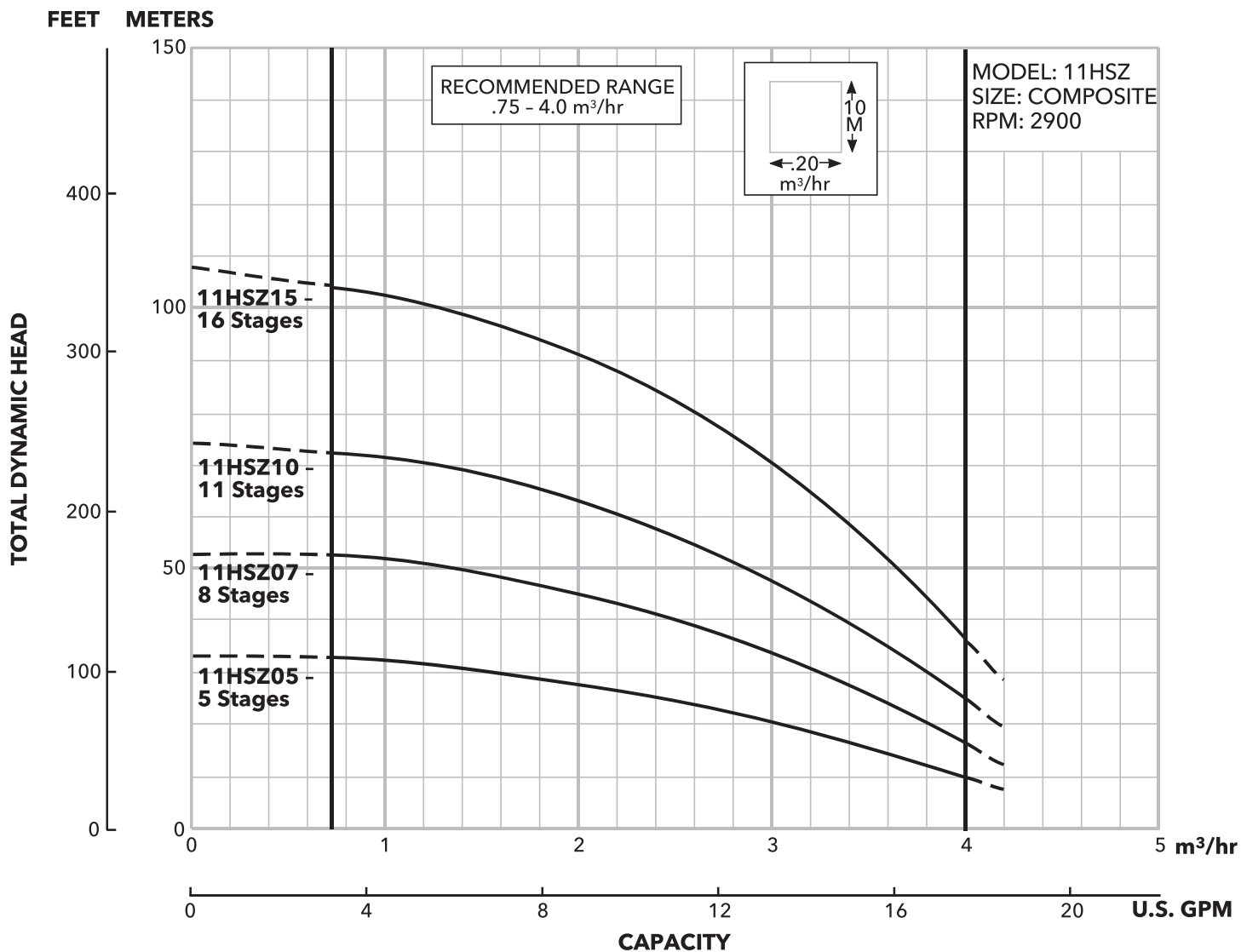


50 Hz Residential Water Systems

MODEL 8HSZ

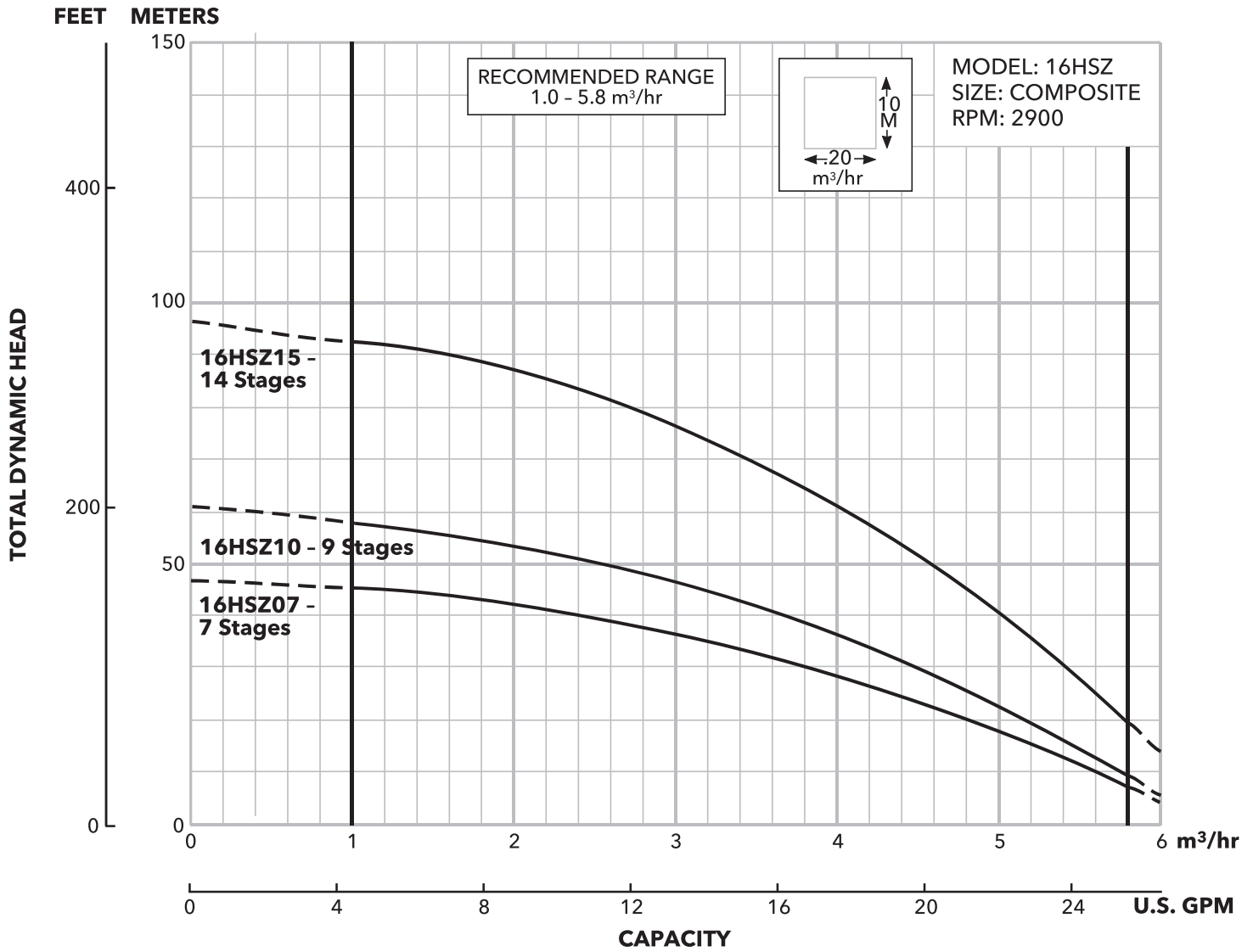


MODEL 11HSZ



50 Hz Residential Water Systems

MODEL 16HSZ



Xylem |'zīləm|

- 1) The tissue in plants that brings water upward from the roots;
- 2) a leading global water technology company.

We're a global team unified in a common purpose: creating advanced technology solutions to the world's water challenges. Developing new technologies that will improve the way water is used, conserved, and re-used in the future is central to our work. Our products and services move, treat, analyze, monitor and return water to the environment, in public utility, industrial, residential and commercial building services settings. Xylem also provides a leading portfolio of smart metering, network technologies and advanced analytics solutions for water, electric and gas utilities. In more than 150 countries, we have strong, long-standing relationships with customers who know us for our powerful combination of leading product brands and applications expertise with a strong focus on developing comprehensive, sustainable solutions.

For more information on how Xylem can help you, go to www.xylem.com



Xylem Inc.
2881 East Bayard Street Ext., Suite A
Seneca Falls, NY 13148
Phone: (866) 325-4210
Fax: (888) 322-5877
www.xylem.com/goulds

Xylem is a registered trademark of Xylem Inc. or one of its subsidiaries. Goulds is a registered trademark of ITT Manufacturing Enterprises LLC and is used under license. All other trademarks or registered trademarks are property of their respective owners.
© 2023 Xylem Inc. B6-16HSZ R2 July 2023