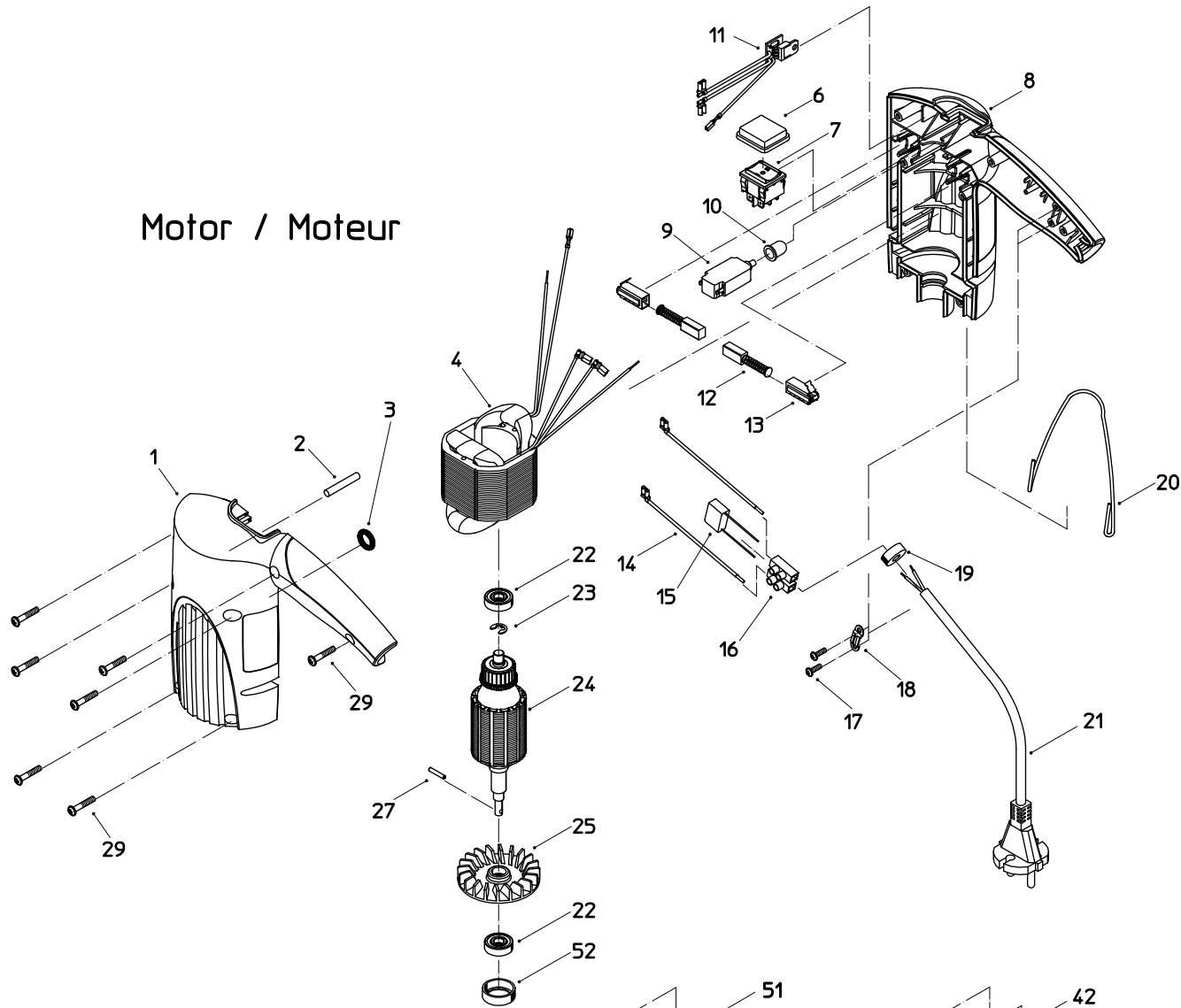
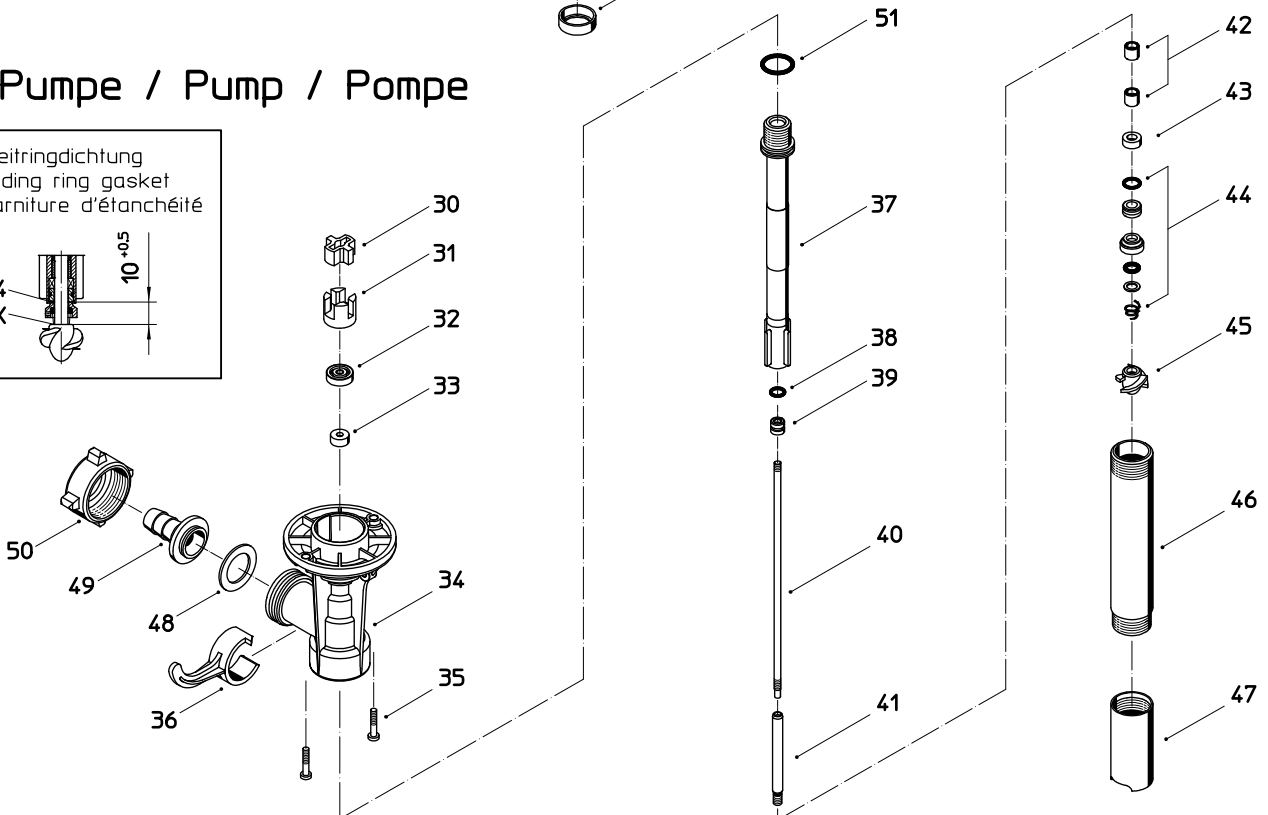
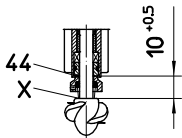


Motor / Moteur



Pumpe / Pump / Pompe

Gleitringdichtung
Sliding ring gasket
Garniture d'étanchéité





Item No.	Qty. per unit	Description	Part No.	
			F 310 PP-25/19	F 310 PP-32/25
		Version according to exploded view No. 310 80 011 –09/2011 from serial no. 310 11 000		
		Motor cpl., item 1 – 29 and 52 100 V / 50-60 Hz 120 V / 60 Hz	310 00 019 310 00 017	310 00 019 310 00 017
	1	Motor housing cpl., item 1 and 8	310 00 026	310 00 026
1	1	Motor housing, left part	310 00 002	310 00 002
2	1	Round cord	925 95 906	925 95 906
3	1	O-ring Ø 9 x 3 (NBR)	925 13 005	925 13 005
4	1	Stator 100 V / 50-60 Hz 120 V / 60 Hz	310 00 035 310 00 037	310 00 035 310 00 037
6	1	Switch cover	303 00 034	303 00 034
7	1	2-step-switch	936 00 034	936 00 034
8	1	Motor housing, right part	310 00 001	310 00 001
9	1	Overload cut-out switch 100 V / 50-60 Hz 120 V / 60 Hz	936 03 025 936 03 026	936 03 025 936 03 026
10	1	Dust cap	936 03 011	936 03 011
11	1	Electronic speed commutator cpl.	940 04 036	940 04 036
12	2	Carbon brush	944 01 008	944 01 008
13	2	Carbon brush holder	944 00 044	944 00 044
14	2	Stranded wire	931 10 007	931 10 007
15	1	Condenser (only at 100 V / 50-60 Hz)	940 03 061	940 03 061
16	1	Terminal	935 05 001	935 05 001
17	2	Screw	902 15 000	902 15 000
18	1	Strain relief clamp	935 02 002	935 02 002
19	1	Seal (CR)	925 09 017	925 09 017
20	1	Bracket	310 00 003	310 00 003
21	1	Cable with plug – 5m long 100 V / 50-60 Hz 120 V / 60 Hz	417 02 054 457 02 028	417 02 054 457 02 028
22	2	Grooved ball bearing	922 20 002	922 20 002
23	1	Circlip	908 05 007	908 05 007
24	1	Armature c/w item 22, 23, 25, 27 and 52	310 00 032	310 00 032

Attention: Please always give full description, part no. and quantity of parts required.



Item No.	Qty. per unit	Description	Part No.	
			F 310 PP-25/19	F 310 PP-32/25
Version according to exploded view				
No. 310 80 011 –09/2011				
from serial no. 310 11 000				
25	1	Ventilator	310 00 008	310 00 008
27	1	Clamping pin	914 47 002	914 47 002
29	7	Screw	902 25 000	902 25 000
52	1	Bearing sleeve	310 00 028	310 00 028
	1	Pump without motor, item 30 - 34, 37 – 50		
		Immersion length 300 mm	310 40 000	-
		Immersion length 500 mm	310 40 001	310 40 004
		Immersion length 700 mm	310 40 002	310 40 005
		Immersion length 1000 mm	310 40 003	310 40 006
30	1	Coupling star	303 40 637	303 40 637
31	1	Coupling cage	303 40 635	303 40 635
32	1	Grooved ball bearing	922 00 000	922 00 000
33	1	Radial shaft seal (FKM)	925 00 002	925 00 002
34	1	T-piece	310 40 053	310 40 054
35	2	Screw	902 55 006	902 55 006
36	1	Hook	310 40 055	310 40 055
37	1	Inner tube with item 39, 42 and 51		
		Immersion length 300 mm	310 40 015	-
		Immersion length 500 mm	310 40 016	310 40 039
		Immersion length 700 mm	310 40 017	310 40 040
		Immersion length 1000 mm	310 40 018	310 40 041
38		O-ring Ø 5 x 1,5 (NBR)	925 03 000	925 03 000
39		Support bearing with item 39	920 30 001	920 30 001
	1	Immersion length 300 mm		
	3	Immersion length 500 mm		
	4	Immersion length 700 mm		
	6	Immersion length 1000 mm		
40	1	Upper shaft		
		Immersion length 300 mm	303 40 621	-
		Immersion length 500 mm	303 40 623	303 40 623
		Immersion length 700 mm	303 40 625	303 40 625
		Immersion length 1000 mm	303 40 628	303 40 628
41	1	Lower shaft	303 40 620	303 40 620
42	2	Sliding bearing	920 51 017	920 51 017
43	1	Radial shaft seal (FKM)	925 11 004	925 11 004

Attention: Please always give full description, part no. and quantity of parts required.



Item No.	Qty. per unit	Description	Part No.	
			F 310 PP-25/19	F 310 PP-32/25
		Version according to exploded view No. 310 80 011 –09/2011 from serial no. 310 11 000		
44	1	Sliding ring gasket (FKM)	958 25 109	958 25 109
X	<small>in case of need</small>	Compensation disc	908 06 010	908 06 010
45	1	Impeller	303 40 050	302 44 501
46	1	Outer tube with item 47 Immersion length 300 mm Immersion length 500 mm Immersion length 700 mm Immersion length 1000 mm	310 40 019 310 40 020 310 40 021 310 40 022	- 310 40 042 310 40 043 310 40 044
47	1	Foot piece	310 40 027	310 40 048
48	1	Hose connection cpl.. DN 13, item 48 – 50 Flat seal (PE)	959 04 073 925 34 001	959 04 073 925 34 001
49	1	Hose connector DN 13	959 05 099	959 05 099
50	1	Union nut G 1	907 90 030	907 90 030
48	1	Hose connection cpl.. DN 19, item 48 – 50 Flat seal (PE)	959 04 074 925 34 001	959 04 074 925 34 001
49	1	Hose connector DN 19	959 05 100	959 05 100
50	1	Union nut G 1	907 90 030	907 90 030
51	1	O-ring Ø 16 x 2 (FKM)	925 35 026	925 35 026
	1	Hose connection kit cpl. DN 13 and DN 19, item 48 – 50	959 04 135	959 04 135
		Food grade grease / kg (for radial shaft seal and inner tube)	952 00 012	952 00 012

Attention: Please always give full description, part no. and quantity of parts required.