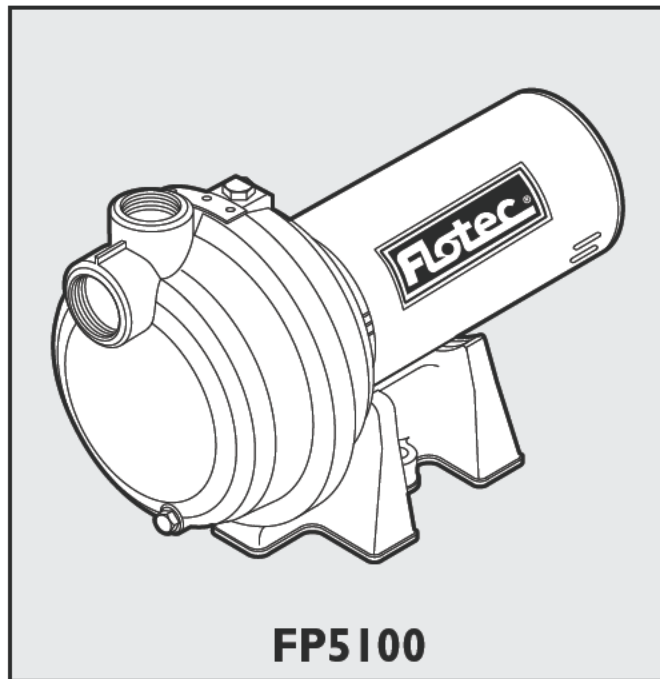


293 Wright Street, Delavan, WI 53115
Phone: 800-365-6832
Fax: 800-526-3757
www.flotecwater.com

OWNER'S MANUAL
**Corrosion Resistant Centrifugal
Lawn Sprinkler Pump**

NOTICE D'UTILISATION
**Pompe centrifuge et inoxydable
pour l'arrosage du gazon**

MANUAL DEL USUARIO
**Bomba centrifuga resistente a
la corrosion para rociadores de
césped**



Installation/Operation/Parts

*For further operating, installation, or
maintenance assistance:*

Call 800-365-6832

English Pages 2-11

Installation/Fonctionnement/Pièces

*Pour plus de renseignements
concernant l'utilisation,
l'installation ou l'entretien,*

Composer le (800) 365-6832

Français Pages 12-21

Instalación/Operación/Piezas

*Para mayor información sobre el fun-
cionamiento, instalación o manten-
imiento de la bomba:*

Llame al 800-365-6832

Español..... Paginas 22-31

Important Safety Instructions

SAVE THESE INSTRUCTIONS - This manual contains important instructions that should be followed during installation, operation, and maintenance of the product.

⚠ This is the safety alert symbol. When you see this symbol on your pump or in this manual, look for one of the following signal words and be alert to the potential for personal injury!

⚠ DANGER indicates a hazard which, if not avoided, *will* result in death or serious injury.

⚠ WARNING indicates a hazard which, if not avoided, *could* result in death or serious injury.

⚠ CAUTION indicates a hazard which, if not avoided, *could* result in minor or moderate injury.

NOTICE addresses practices not related to personal injury.

Carefully read and follow all safety instructions in this manual and on pump.

Keep safety labels in good condition. Replace missing or damaged safety labels.

California Proposition 65 Warning

⚠ WARNING This product and related accessories contain chemicals known to the State of California to cause cancer, birth defects or other reproductive harm.

Electrical Safety

⚠ WARNING Risk of electric shock. Can shock, burn or kill. To discharge motor capacitor, hold insulated handle screwdriver **BY THE HANDLE** and short capacitor terminals together. Do not touch metal screwdriver blade or capacitor terminals. If in doubt, consult a qualified electrician.

General Safety

⚠ CAUTION Risk of burns. Do not touch an operating motor. Modern motors are designed to operate at high temperatures. To avoid burns when servicing pump, allow it to cool for 20 minutes after shut-down before handling.

Pump is designed as a lawn sprinkler only. To avoid heat built-up, over pressure hazard and possible injury, do not use in a domestic water system. Do not use as a booster pump; pressurized suction may cause pump body to explode.

Do not allow pump or any system component to freeze. To do so will void warranty.

Pump water only with this pump.


Periodically inspect pump and system components.

Wear safety glasses at all times when working on pumps.


Keep work area clean, uncluttered and properly lighted; store properly all unused tools and equipment.

Keep visitors at a safe distance from the work areas.

“Dead Heading” a pump means running the pump while little or no water is released from the system. **Never** run pump above recommended pressure shown on the performance chart.

 <p>⚠ WARNING</p>
<p>Hazardous voltage. Can shock, burn, or cause death.</p> <p>Ground pump before connecting to power supply. Disconnect power before working on pump, motor or tank.</p>

- ⚠ Wire motor for correct voltage.** See “Electrical” section of this manual and motor nameplate.
- ⚠ Ground motor before connecting to power supply.**
- ⚠ Meet National Electrical Code, Canadian Electrical Code, and local codes for all wiring.**
- ⚠ Follow wiring instructions in this manual when connecting motor to power lines.**

	<p>⚠ WARNING</p>
	<p>Hazardous pressure! Install pressure relief valve in discharge pipe.</p> <p>Release all pressure on system before working on any component.</p>

Thank you for purchasing a top quality, factory tested pump.

	Page
General Safety	2
Installation.....	4, 5
Electrical.....	6, 7
Operation	8
Troubleshooting.....	9
Repair Parts	10
Warranty.....	11

Before You Install Your Pump

NOTICE Well must not be more than 20' (6.1m) depth to water.

- Step 1. Long runs and many fittings increase friction and reduce flow. Locate pump as close to well as possible; use as few elbows and fittings as possible. Be sure suction line is straight and angles toward pump.
- Step 2. Be sure well and pipe are clear of sand, dirt and scale. Foreign matter will plug pump and void warranty. Use new pipe for best results.
- Step 3. Protect pump and all piping from freezing. Freezing will split pipe, damage pump and void warranty. Check locally for frost protection requirements (usually pipe must be 12" (30.5cm) below frost line and pump must be insulated).
- Step 4. Be sure all pipes and foot valve are clean and in good shape.
- Step 5. No air pockets in suction pipe.
- Step 6. No leaks in suction pipe. Use Teflon tape or Plasto-Joint Stik to seal pipe joints.
- Step 7. Unions installed near pump and well will aid in servicing. Leave room to use wrenches.

⚠ WARNING Risk of explosion. Do not ground to a gas supply line. Pump body may explode if used as booster pump. **DO NOT** use in booster application.

⚠ CAUTION Risk of burns. Motor normally operates at high temperature and will be too hot to touch. It is protected from heat damage during operation by an automatic internal cutoff switch. Before handling pump or motor, stop motor and allow it to cool for 20 minutes.

Well Pipe Installation

NOTICE Use installation method below which matches your well type.

Cased Well/Dug Well Installation

- Step 1. Inspect foot valve to be sure it works freely. Inspect strainer to be sure it is clean and secure.
- Step 2. Connect foot valve and strainer to first length of suction pipe and lower pipe into well. Add sections of pipe as needed, using Teflon tape on male threads (use 1-1/2" pipe for suction pipe). Be sure all suction pipe is leakproof or pump will lose prime and fail to pump. Install foot valve 10 to 20 ft. (3 to 6 m) below lowest level to which water will drop while pump is operating (pumping water level). Your well driller can furnish this information.
- Step 3. To prevent sand and sediment from entering pumping system, foot valve/strainer should be at least 5 ft. (1.5 m) above bottom of well.
- Step 4. When proper depth is reached, install sanitary well seal over pipe and in well casing. Tighten bolts to seal casing.
- Step 5. When using foot valve, a priming tee and plug are recommended. (Fig. 1).

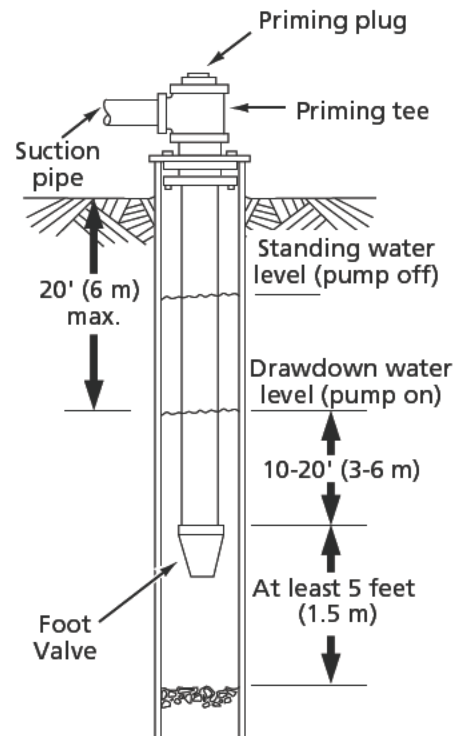


Figure 1 - Cased/Dug Well Installation

Driven Point Installation

- Step 1. Connect suction pipe to drive point (Fig. 2). Keep horizontal pipe run as short as possible. Use Teflon tape on male pipe threads. Multiple well points may be necessary to provide sufficient water to pump.
- Step 2. Install check valve in horizontal pipe. Flow arrow on check valve must point toward pump.

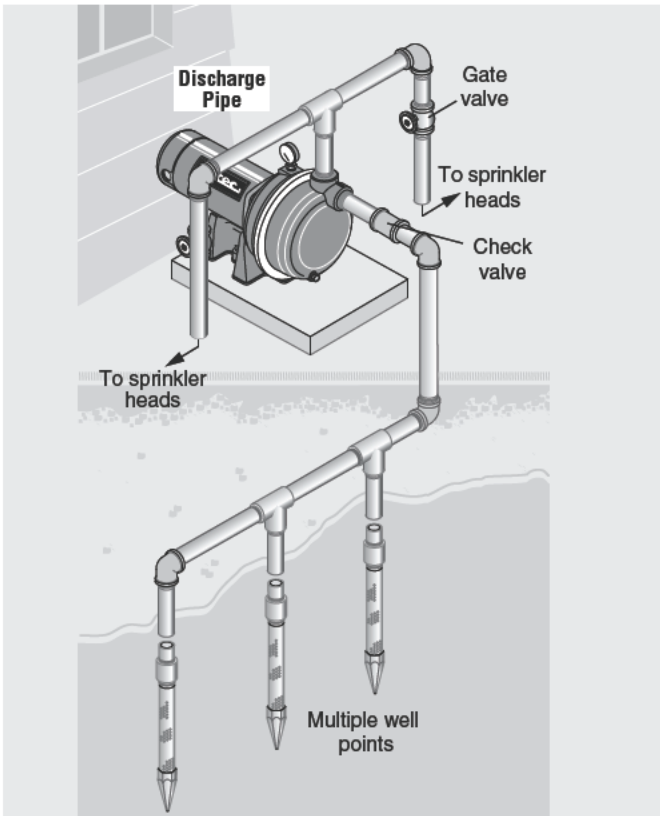


Figure 2 - Driven Point Installation, Multiple Well Points

Horizontal Piping from Well to Pump

- Step 1. Pump performance will be decreased if less than 1-1/2" pipe is used as suction pipe.
- Step 2. To aid priming on well point installations, install line check valve. Be sure check valve flow arrow points toward pump.

Discharge pipe sizes

Discharge pipe size should be increased to reduce pressure losses caused by friction on long pipe runs.

- Up to 100' (30.5 m) run: Same size as pump discharge port.
- 100' - 300' (30.5 - 91.4 m) run: Increase one pipe size.
- 300' - 600' (91.4 - 182.9 m) run: Increase two pipe sizes.

Lawn Sprinkling Application

This pump is designed for lawn sprinkling. Delivers plenty of water at full sprinkler pressure. Pumps from pond, cistern or well points.

Pump discharge can be divided to supply 4 or more sprinkler systems.

Do not use in booster pump applications.

Pump/Piping Installation

If turning pump on and off by pressure, a pressure switch and tank are required. For proper installation and operation instructions call Customer Service.

Use rigid pipe. Do not use hose or plastic tubing. See "Well Pipe Installation" for more information.

NOTICE Use only PTFE pipe thread sealant tape to joint compounds for making all threaded connections to the pump itself. **Do not use pipe joint compounds on plastic pumps:** they can react with the plastic in pump components. Make sure that all pipe joints in the suction pipe are air tight as well as water tight. *If the suction pipe can suck air, the pump will not be able to pull water from the well.*

- Step 1. Bolt pump to solid, level foundation.
- Step 2. Support all piping connected to pump.
- Step 3. Wrap 1-1/2 to 2 layers of Teflon tape clockwise (as you face end of pipe) on all male threads being attached to pump.
- Step 4. Tighten joints hand tight plus 1-1/2 turns. **Do not overtighten.**
- Step 5. Replace prime plug with pressure gauge. This will aid in sizing zones, troubleshooting, and following pump performance chart.

NOTICE Install pump as close to well head as possible. Long piping runs and many fittings create friction and reduce flow.

NOTICE For long horizontal pipe runs, install a priming tee between check valve and well head (Fig. 1). For driven point installations, install check valve. Be sure that check valve flow arrow points **toward** pump.

Motor Switch Settings

Dual-voltage motors (motors that can operate at either 115 or 230 volts), are set at the factory to 230 volts. Do not change motor voltage setting if line voltage is 230 volts, or if you have a single voltage motor.

NOTICE Never wire a 115 volt motor to a 230 volt line.

Remove Motor End Cover

If you have a dual-voltage motor, and will connect it to 115 volts, follow the procedure below. You will need to remove the motor end cover to change the voltage setting.

Your motor terminal board (located under the motor end cover) should look like Figure 4.

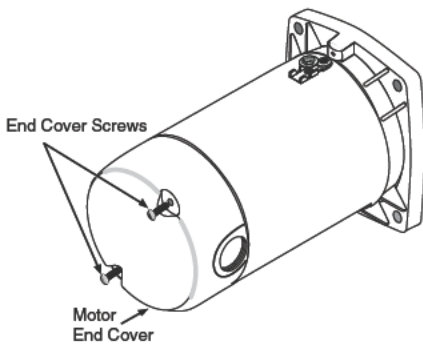


Figure 3 - Removing Motor End Cover

Selecting 115 volts with the Dial Type Voltage Selector

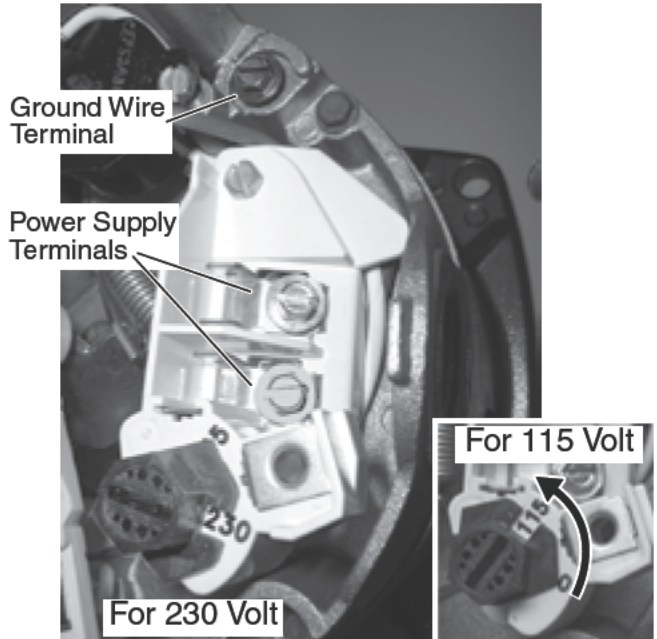


Figure 4 - Voltage set to 230 volts, Dial Type; turn dial to select 115 volts. Insert tool in slot to turn dial.

To change to 115 volts:

1. Make sure power is off.
2. Turn the dial counter-clockwise until 115 shows in the dial window.
3. Attach the power lead wires to the power lead terminals. Make sure the wires are secure.
4. Attach the ground wire to the green ground screw.
5. Reinstall the Motor end cover.

Go to Wiring Connections below.


⚠ WARNING Risk of electric shock. Can shock, burn or kill. Disconnect power to motor before working on pump or motor. Ground motor before connecting to power supply.

Wiring

▲WARNING Risk of electric shock. Can shock, burn or kill.

- Ground motor before connecting to electrical power supply. Failure to ground motor can cause severe or fatal electrical shock hazard.
- Do not ground to a gas supply line.
- To avoid dangerous or fatal electrical shock, turn OFF power to motor before working on electrical connections.
- Supply voltage must be within $\pm 10\%$ of nameplate voltage. Incorrect voltage can cause fire or damage motor and voids warranty. If in doubt consult a licensed electrician.
- Use wire size specified in Wiring Chart (below). If possible, connect pump to a separate branch circuit with no other appliances on it.
- Wire motor according to diagram on motor nameplate. If nameplate diagram differs from diagrams above, follow nameplate diagram.

- Step 1. Install, ground, wire and maintain this pump in accordance with electrical code requirements. Consult your local building inspector for information about codes.
- Step 2. Provide a correctly fused disconnect switch for protection while working on motor. Consult local or national electrical codes for switch requirements.
- Step 3. Disconnect power before servicing motor or pump. If the disconnect switch is out of sight of pump, lock it open and tag it to prevent unexpected power application.

- Step 4. Ground the pump permanently using a wire of the same size as that specified in wiring chart, below. Make ground connection to green grounding terminal under motor canopy marked GRD. or .
- Step 5. Connect ground wire to a grounded lead in the service panel or to a metal underground water pipe or well casing at least 10 feet long. Do not connect to plastic pipe or insulated fittings.
- Step 6. Protect current carrying and grounding conductors from cuts, grease, heat, oil, and chemicals.
- Step 7. Connect current carrying conductors to terminals L1 and L2 under motor canopy. When replacing motor, check wiring diagram on motor nameplate against Figure 4. If the motor wiring diagram does not match Figure 4, follow the diagram on the motor.

NOTICE 115/230 Volt single phase models are shipped from factory with motor wired for 230 volts. If power supply is 115 volts, remove motor canopy and change switch dial on motor as shown in Figure 4. Do not try to run motor as received on 115 volt current.

- Step 8. Motor has automatic internal thermal overload protection. If motor has stopped for unknown reasons, thermal overload may restart it unexpectedly, which could cause injury or property damage. Disconnect power before servicing motor.
- Step 9. If this procedure or the wiring diagrams are confusing, consult a licensed electrician.

Wiring Chart – Recommended Wire and Fuse Sizes for 115 and 230 volts

Pump Model	HP	Volts	Max Load Amp	Branch Fuse Rating* Amp	AWG Min. Wire Size (mm ²)	Distance in Feet (Meters) From Motor to Supply				
						0 - 100 (0 - 30)	101 - 200 (31 - 61)	201 - 300 (62 - 91)	301 - 400 (91 - 122)	401 - 500 (123 - 152)
						AWG Wire Size (mm ²)				
FP5162	1	115/230	14.8/7.4	20/15	12/14 (3/2)	12/14 (3/2)	8/14 (8.4/2)	6/14 (14/2)	6/12 (14/3)	4/10 (21/5.5)
FP5172	1 - 1/2	115/230	19.9/9.9	20/15	10/14 (5.5/2)	10/14 (5.5/2)	8/14 (8.4/2)	6/12 (14/3)	4/10 (21/5.5)	4/10 (21/5.5)
FP5182	2	115/230	24/12	20/15	10/14 (5.5/2)	10/14 (5.5/2)	6/14 (14/2)	6/12 (14/3)	4/10 (21/5.5)	4/10 (21/5.5)

* Duel element or Fusetron time delay fuses recommended for all motor circuits.

Priming the Pump

NOTICE 'Priming' refers to pump expelling all air in the system and beginning to move water from its source out into system. It does not refer only to pouring water into pump (although pouring water in is usually the first step).

CAUTION Risk of burns. NEVER run pump dry. Running pump without water may cause pump to overheat, damaging seal and possibly causing burns to persons handling pump. Fill pump with water before starting.

- Step 1. Remove priming plug.
- Step 2. Make sure suction and discharge valves and any hoses on discharge side of pump are open.
- Step 3. Fill pump and suction pipe with water (Fig. 5).

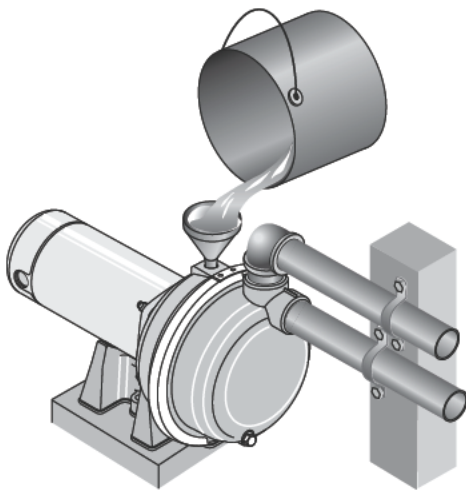


Figure 5 - Fill Pump Before Starting

- Step 4. Replace priming plug, using Teflon tape on thread; tighten plug.

NOTICE If priming tee and plug have been provided for long horizontal run, be sure to fill suction pipe through this tee and replace plug. (Use Teflon tape on plug.)
- Step 5. Start pump; water should be produced in 10 minutes or less, time depends on depth to water (not more than 20' (6 m)) and length of horizontal run (10' (3 m) of horizontal suction pipe = 1' (30.5 cm) of vertical lift due to friction losses in pipe). If no water is produced within 10 minutes, stop pump, release all pressure, remove priming plug, refill and try again.

WARNING Risk of explosion and scalding. NEVER run pump against closed discharge. To do so can boil water inside pump, causing hazardous pressure in unit, risk of explosion and possibly scalding persons handling pump (Fig. 6). Replace priming plug with pressure gauge to monitor pressure so that it is not allowed to exceed maximum pumping pressures according to performance chart.

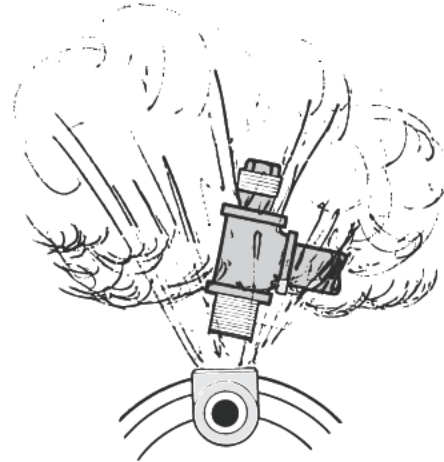


Figure 6 - Do Not Run Pump With Outlet Shut Off

To prevent explosion be sure discharge (valve, pistol grip hose nozzle, etc.) is open whenever pump is running. Monitor pump body and piping temperature. Motor will warm up; this is normal. If pump body or piping begin to feel warm to touch, shut off pump and allow system to cool. Release all pressure in system and refill pump and piping with cold water.

⚠ WARNING Risk of electric shock. Can shock, burn or kill. To discharge capacitor, hold insulated handle screwdriver BY THE HANDLE and short capacitor terminals together. Do not touch metal screwdriver blade or capacitor terminals. If in doubt, consult a qualified electrician.

Symptom	Possible Cause(s)	Corrective Action
Motor will not run	Disconnect switch is off.	Be sure switch is on.
	Fuse is blown or circuit breaker tripped	Replace fuse or reset breaker.
	Starting switch is defective.	DISCONNECT POWER; Replace starting switch.
	Wire ast motor are loose, disconnected, or wired incorrectly.	Refer to instructions on wiring. DISCONNECT POWER; check and tighten all wiring.
Motor runs hot and overload kicks off or motor does not run and only hums.	Motor is wired incorrectly	Refer to instructions on wiring.
	Voltage is too low.	Check voltage being supplied to motor. Install heavier wiring if wire size is too small (See Electrical / Wiring Chart)
Motor Runs but no water is delivered* *(Note: Stop pump; then check prime before looking for other causes. Unscrew priming plug and see if water is in priming hole).	Pump in new installation did not pick up prime through:	In new installation:
	1. Improper priming	1. Re-prime according to instructions.
	2. Air leaks.	2. Check all connections on suction line, with soapy water or shaving cream
	3. Leaking foot valve or check valve	3. Replace foot valve or check valve.
	4. Pipe size too small	4. Re-pipe using size of suction and discharge ports on pump.
	Pump has lost prime through:	In installation already in use:
	1. Air leaks	1. Check all connections on suction line and shaft seal with soapy water.
	2. Water level bellow suction pipe inlet.	2. Lower suction line into water and re-prime. If receding water level in well exceeds 25' (7.6M), a deep well pump is needed.
	Impeller is plugged	Clean impeller
	Check valve or foot valve is stuck shut	Replace check valve or foot valve
Pipes are frozen	Thaw pipes. Bury pipes below frost line. Heat pit or pump house.	
Foot valve and/or strainer are buried in sand or mud	Raise foot valve and/or strainer above bottom of water source.	
*Pump does not deliver water to full capacity.	Water level in well is lower than estimated	A deep well jet will be needed if your well is more than 25' (7.6M) dept to water.
	Steel piping (if used) is corroded or limed, causing excess friction	Replace with plastic pipe where possible, otherwise with new steel pipe.
	Piping is too small in size	Re-pipe using size of suction and discharge ports on pump
	Pump not being supplied with enough water	Add additional well points.
Pump leaks around clamp	Clamp loose	STOP PUMP, tighten clamp nut 1 - 2 turns. Alternately tighten and tap on clamp with mallet to seat O-Ring. Do not overtighten.

Performance Chart in GPM(LPM)

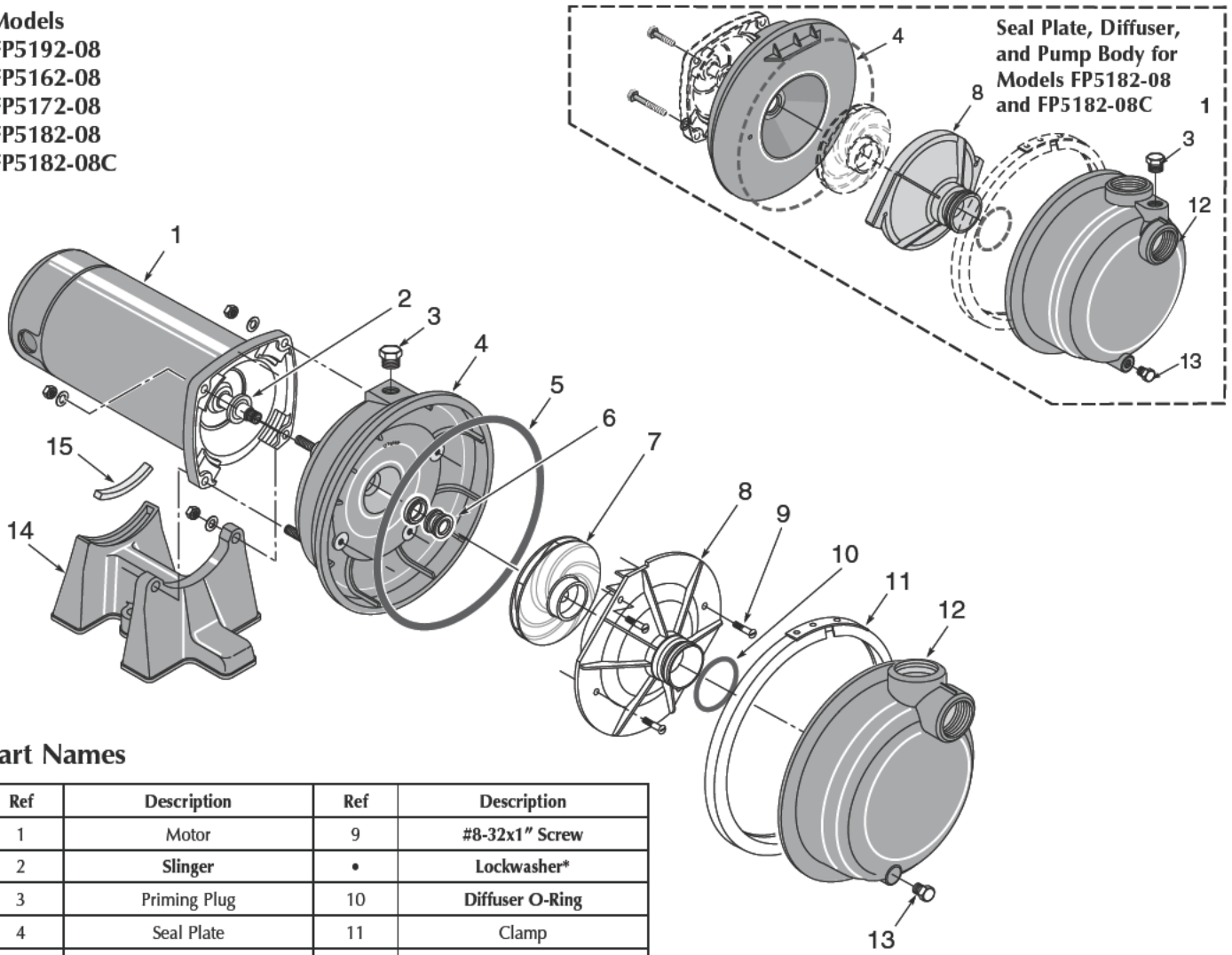
Discharge Pressure PSI (kPa)	FP5162 - 1HP				FP5172 - 1 - 1/2 HP				FP5182, FP5182C - 2HP			
	Height of Pump Above Water in Feet (Meter)											
	5' (1.5)	10' (3)	15' (4.6)	20' (6.1)	5' (1.5)	10' (3)	15' (4.6)	20' (6.1)	5' (1.5)	10' (3)	15' (4.6)	20' (6.1)
10 (69)	55 (208)	49 (185)	48 (181)	45 (170)	67 (254)	61 (231)	56 (212)	46 (174)	69 (261)	64 (242)	65 (246)	62 (235)
15 (103)	51 (193)	46 (174)	45 (170)	44 (166)	66 (250)	58 (220)	55 (208)	45 (170)	65 (246)	62 (235)	60 (227)	57 (215)
20 (138)	45 (170)	42 (159)	39 (148)	37 (140)	61 (231)	56 (212)	54 (204)	44 (166)	59 (223)	56 (212)	54 (204)	52 (197)
25 (172)	38 (144)	35 (132)	32 (121)	29 (110)	55 (208)	52 (197)	51 (193)	43 (163)	52 (197)	50 (189)	48 (181)	46 (174)
30 (207)	31 (117)	28 (106)	24 (90)	20 (76)	48 (181)	45 (170)	44 (166)	37 (14)	47 (178)	45 (170)	42 (159)	40 (151)
35 (241)	23 (87)	19 (72)	16 (60)	11 (42)	39 (147)	37 (140)	34 (129)	28 (106)	42 (159)	38 (144)	35 (132)	32 (121)
40 (276)	17 (64)	13 (49)	8 (30)		33 (125)	27 (102)	20 (76)	11 (42)	34 (129)	30 (113)	27 (102)	23 (87)
45 (310)					18 (68)	14 (53)	8 (30)		25 (95)	18 (68)	13 (49)	10 (38)
50 (345)									14 (53)	7 (26)		

All models except FP5182 and FP5182C have discharge and suction size of 1-1/2" NPT. FP5182 and FP5182C have 2" NPT suction and discharge.

For parts or assistance, call Flotec Customer Service at 800-365-6832

Models

FP5192-08
 FP5162-08
 FP5172-08
 FP5182-08
 FP5182-08C



Part Names

Ref	Description	Ref	Description
1	Motor	9	#8-32x1" Screw
2	Slinger	•	Lockwasher*
3	Priming Plug	10	Diffuser O-Ring
4	Seal Plate	11	Clamp
5	O-Ring	12	Pump Body
6	Shaft Seal	13	Drain Plug
7	<i>Impeller</i>	14	Base
8	<i>Diffuser</i>	15	Motor Pad

*Models FP5182-08 and FP5182-08C only.

Parts in **Bold Face** are included in Seal and Gasket Kit and in Overhaul Kit.

Parts in **Bold Face Italics** are included in Overhaul Kit only.

Ref	Description	FP5162-08 1HP	FP5172-08 1 - 1/2 HP	FP5182-08 2 HP
1	Moto	J218-596PKG	J218-601PKG	J2180883APKG
4	Seal Plate Complete	L176-47P1	L176-47P1	C103-189P
11	"V" Clamp	C19-54SS	C19-54SS	C19-37A
12	Pump Body Front Half	C176-53P	C176-53P	C176-62P
14	Base	C4-42P	C4-42P	C4-42P
•	Seal and Gasket Kit Includes Items 2,5,6,9,&10. See "Parts Names," above.	FPPP5000	FPPP5000	FPPP5000
•	Overhaul Kit Includes all items in Seal and Gasket Kit plus Item 7, <i>impeller</i> , and 8, <i>diffuser</i> . See "Part Names," above.	FPP5001	FPP5002	FPP2008

Retain Original Receipt for Warranty Eligibility

Limited Warranty

This Limited Warranty is effective June 1, 2011 and replaces all undated warranties and warranties dated before June 1, 2011. FLOTEC warrants to the original consumer purchaser ("Purchaser" or "You") that its products are free from defects in material and workmanship for a period of twelve (12) months from the date of the original consumer purchase. If, within twelve (12) months from the original consumer purchase, any such product shall prove to be defective, it shall be repaired or replaced at FLOTEC's option, subject to the terms and conditions set forth herein. Note that this limited warranty applies to manufacturing defects only and not to ordinary wear and tear. All mechanical devices need periodic parts and service to perform well. This limited warranty does not cover repair when normal use has exhausted the life of a part or the equipment.

The original purchase receipt and product warranty information label are required to determine warranty eligibility. Eligibility is based on purchase date of original product – not the date of replacement under warranty. The warranty is limited to repair or replacement of original purchased product only, not replacement product (i.e. one warranty replacement allowed per purchase). Purchaser pays all removal, installation, labor, shipping, and incidental charges.

For parts or troubleshooting assistance, DO NOT return product to your retail store - contact FLOTEC Customer Service at 800-365-6832.

Claims made under this warranty shall be made by returning the product (except sewage pumps, see below) to the retail outlet where it was purchased or to the factory immediately after the discovery of any alleged defect. FLOTEC will subsequently take corrective action as promptly as reasonably possible. No requests for service will be accepted if received more than 30 days after the warranty expires. Warranty is not transferable and does not apply to products used in commercial/rental applications.

Sewage Pumps

DO NOT return a sewage pump (that has been installed) to your retail store. Contact FLOTEC Customer Service. Sewage pumps that have seen service and been removed carry a contamination hazard with them.

If your sewage pump has failed:

- Wear rubber gloves when handling the pump;
- For warranty purposes, return the pump's cord tag and original receipt of purchase to the retail store;
- Dispose of the pump according to local disposal ordinances.

Exceptions to the Twelve (12) Month Limited Warranty

Product	Warranty Period
FP0F360AC, FP0FDC	90 days
FP0S1775A, FP0S1790PCA, FP0S2400A, FP0S2450A, FP0S4100X, FP2800DCC, FPCP-20ULST, FPPSS3000, FPSC2150A, FPSC3150A, FPSC3350A	2 Years
4" Submersible Well Pumps, FP0S3200A, FP0S3250A, FP0S6000A, FPSC1725X, FPSC2200A, FPSC2250A, FPSE3601A, FPPSS5000	3 Years
FP7100 Series Pressure Tanks, E100ELT, E3305TLT, E3375TLT, E5005TLTT, E50TLT, E50VLT, E75STVT, E75VLT, FPSC3200A, FPSC3250A, FPSC4550A	5 Years

General Terms and Conditions; Limitation of Remedies

You must pay all labor and shipping charges necessary to replace product covered by this warranty. This warranty does not apply to the following: (1) acts of God; (2) products which, in FLOTEC's sole judgment, have been subject to negligence, abuse, accident, misapplication, tampering, or alteration; (3) failures due to improper installation, operation, maintenance or storage; (4) atypical or unapproved application, use or service; (5) failures caused by corrosion, rust or other foreign materials in the system, or operation at pressures in excess of recommended maximums.

This warranty sets forth FLOTEC's sole obligation and purchaser's exclusive remedy for defective products.

FLOTEC SHALL NOT BE LIABLE FOR ANY CONSEQUENTIAL, INCIDENTAL, OR CONTINGENT DAMAGES WHATSOEVER.


THE FOREGOING LIMITED WARRANTIES ARE EXCLUSIVE AND IN LIEU OF ALL OTHER EXPRESS AND IMPLIED WARRANTIES, INCLUDING BUT NOT LIMITED TO IMPLIED WARRANTIES OF MERCHANTABILITY AND FITNESS FOR A PARTICULAR PURPOSE. THE FOREGOING LIMITED WARRANTIES SHALL NOT EXTEND BEYOND THE DURATION PROVIDED HEREIN.

Some states do not allow the exclusion or limitation of incidental or consequential damages or limitations on how long an implied warranty lasts, so the above limitations or exclusions may not apply to You. This warranty gives You specific legal rights and You may also have other rights which vary from state to state.

FLOTEC • 293 Wright Street • Delavan, WI USA 53115
Phone: 800-365-6832 • Fax: 800-526-3757 • www.flotecwater.com

Directives de sécurité importantes

Conservez ces directives – Ce manuel renferme d'importantes directives qu'il faut suivre durant l'installation et l'entretien de la pompe.

Ce symbole  indique qu'il faut être prudent. Lorsque ce symbole apparaît sur la pompe ou dans cette Notice, rechercher une des mises en garde qui suivent, car elles indiquent un potentiel de blessures corporelles!

Le mot signal **▲ DANGER** indique un danger qui, s'il n'est pas évité, *causera* la mort ou des blessures graves.

Le mot signal **▲ AVERTISSEMENT** indique un risque qui, s'il n'est pas évité, *pourrait causer* la mort ou des blessures graves.

Le mot signal **▲ ATTENTION** indique un risque qui, s'il n'est pas évité, *pourrait causer* des blessures mineures ou modérées.

Le mot **AVIS** est utilisé pour les pratiques qui ne sont pas reliées aux blessures personnelles.

Lire attentivement toutes les consignes de sécurité contenues dans cette Notice ou collées sur la pompe.

Garder les autocollants de sécurité en bon état; les remplacer s'ils manquent ou s'ils ont été endommagés.

Avertissement lié à la Proposition 65 de la Californie


▲ AVERTISSEMENT Ce produit et les accessoires connexes contiennent des produits chimiques reconnus dans l'État de la Californie comme pouvant provoquer des cancers, des anomalies congénitales ou d'autres dangers relatifs à la reproduction.


AVERTISSEMENT





Tension dangereuse. Risque de secousses électriques, de brûlures, voire de mort.

Mettre à la terre la pompe avant de la brancher sur le courant électrique. Couper l'arrivée de courant avant d'intervenir sur la pompe, sur le moteur ou sur le réservoir.

 Câbler le moteur en fonction de la bonne tension. Voir la Section «Électricité» de cette Notice et la plaque signalétique du moteur.

 Mettre à la terre le moteur avant de le brancher sur le courant électrique.

 Conforme au Code national de l'électricité, au Code canadien de l'électricité et aux codes municipaux pour tous les câblages.

 **Respecter les instructions de câblage figurant dans cette Notice lorsque l'on branche le moteur sur une ligne haute tension.**

Sécurité concernant l'électricité

▲ AVERTISSEMENT **Risque de secousses électriques.** Pouvant causer des brûlures, voire la mort. Pour décharger le condensateur du moteur, tenir un tournevis à manche isolé **PAR LE MANCHE** et mettre en court-circuit les bornes du condensateur. Ne pas toucher la lame métallique du tournevis ni les bornes du condensateur. En cas de doute, consulter un électricien qualifié.

Sécurité générale

▲ ATTENTION **Risque de brûlures.** Les moteurs modernes sont conçus pour fonctionner par des températures élevées. Pour ne pas se brûler lorsque l'on interviendra sur la pompe, la laisser refroidir pendant 20 minutes après l'avoir arrêtée avant de la toucher.

La pompe est conçue uniquement en tant que système d'arrosage à gazon. Pour éviter toute accumulation de chaleur, un risque de surpression et de blessures, ne pas brancher cette pompe sur un réseau d'eau domestique. Ne pas utiliser en tant que pompe d'appoint ; l'aspiration sous pression risque de faire exploser le corps de la pompe.

Ne pas laisser geler la pompe ni aucun autre élément du système, sinon la garantie sera annulée.

Ne pomper que de l'eau avec cette pompe.

Périodiquement, inspecter la pompe et tous les éléments du système.

Toujours porter des lunettes de sécurité lorsque l'on intervient sur une pompe.

Garder la zone de travail propre, non encombrée et bien éclairée; tous les outils et tout l'équipement non utilisés doivent être entreposés correctement.

Ne pas laisser les visiteurs s'approcher de la zone de travail.

Le «fonctionnement à vide» d'une pompe signifie faire fonctionner la pompe alors que très peu d'eau ou pas d'eau du tout provient du système. **Ne jamais** faire fonctionner la pompe à des pressions supérieures à celles recommandées dans le tableau de rendement.

	▲ AVERTISSEMENT
	<p>Pression dangereuse!</p> <p>Poser une soupape de sûreté sur le tuyau de refoulement.</p> <p>Dissiper toute la pression du système avant d'intervenir sur un élément.</p>

Merci d'avoir acheté une pompe de qualité supérieure mise à l'essai à l'usine.

	Page
Sécurité	12
Installation	14,15
Électricité	16,17
Fonctionnement.....	18
Diagnostic des pannes	19
Pièces de rechange	20
Garantie.....	21

Vant D'installer La Pompe

AVIS L'eau ne doit pas se trouver à une profondeur en dessous de 6,1 m (20 pi) dans le puits.

- 1 ° Les longueurs de câble excessives et la présence de nombreux raccords augmentent les problèmes de friction et réduisent la capacité du débit. Installer la pompe le plus près possible du puits ; utiliser le moins de coudes et de raccords que possible. Vérifier si la tuyauterie d'aspiration est droite et si elle incline vers la pompe.
- 2 ° Vérifier que le puits et la tuyauterie ne contiennent pas de sable, d'impuretés, ni d'écaillés. L'obstruction de la pompe par des corps étrangers annule la garantie. Utiliser une tuyauterie neuve pour obtenir les meilleurs résultats.
- 3 ° Protéger la pompe et l'ensemble de la canalisation contre le gel. L'exposition au gel fait éclater les canalisations, endommage la pompe, et annule la garantie. Se renseigner sur les normes de protection contre le gel en vigueur localement (en règle générale, il faut que la tuyauterie soit enterrée à 30,5 cm (12 po) au-dessous du niveau de la ligne de gel, et que la pompe soit isolée).
- 4 ° Vérifier que la tuyauterie et le clapet de pied sont propres et en bon état.
- 5 ° Vérifier l'absence de poches d'air dans le tuyau d'aspiration.
- 6 ° Vérifier l'absence de fuites dans le tuyau d'aspiration. Utiliser de la bande téflon ou de la pâte à joint Plasto-Joint Stik pour rendre hermétiques les raccords des tuyaux.
- 7 ° Les raccords universels montés près de la pompe et du puits faciliteront la distribution. Prévoir un espace suffisant pour le passage des clés de serrage.

⚠ AVERTISSEMENT **Risque d'explosion.** Ne pas mettre à la terre sur une conduite de gaz. L'ensemble de la pompe risque d'exploser si on l'utilise en pompe d'appoint. NE PAS utiliser la pompe pour la suralimentation.

⚠ ATTENTION **Risque de brûlures.** Le moteur fonctionne normalement par des températures élevées et il sera trop chaud pour qu'on le touche. Pendant qu'il fonctionne, il est protégé contre les dommages que pourrait causer la chaleur par un disjoncteur interne à déclenchement automatique. Avant de manipuler la pompe ou le moteur, arrêter le moteur et le laisser refroidir pendant 20 minutes.

Installation de la tuyauterie du puits

AVIS Appliquer la méthode d'installation ci-dessous qui correspond au type de puits utilisé.

Installation puits cuvelé/creusé

- 1 ° Inspecter le clapet de pied pour s'assurer qu'il fonctionne librement. Inspecter la crépine pour s'assurer qu'elle est propre et bien fixée.
- 2 ° Relier le clapet de pied et l'épurateur à la première longueur du tuyau d'aspiration et abaisser le tuyau à l'intérieur du puits. Ajouter, selon le besoin, les sections de tuyaux et utiliser du ruban Téflon sur les filets mâles (utiliser des tuyaux de 1 1/2 pouce de diamètre pour l'aspiration). S'assurer que la tuyauterie d'aspiration ne présente aucune fuite, sinon la pompe perd de sa capacité et le pompage est défaillant. Installer le clapet de pied entre 3 et 6 m (10 à 20 pi) au-dessous du niveau le plus bas auquel l'eau descend pendant le fonctionnement de la pompe (niveau d'eau du pompage). L'entrepreneur du forage est capable de fournir ce type de renseignement.
- 3 ° Pour éviter que le sable et les sédiments ne pénètrent dans le système de la pompe, l'ensemble clapet de pied/épurateur doit être installé à 1,5 m (5 pi) au moins au-dessus du fond du puits.
- 4 ° Une fois la bonne profondeur atteinte, installer le plombage sanitaire sur le tuyau et dans le cylindre du puits. Serrer les boulons pour assurer l'étanchéité du cylindre.
- 5 ° Avec un clapet de pied, il est conseillé d'utiliser pour l'amorçage une connexion en té et un bouchon. (Fig. 1)

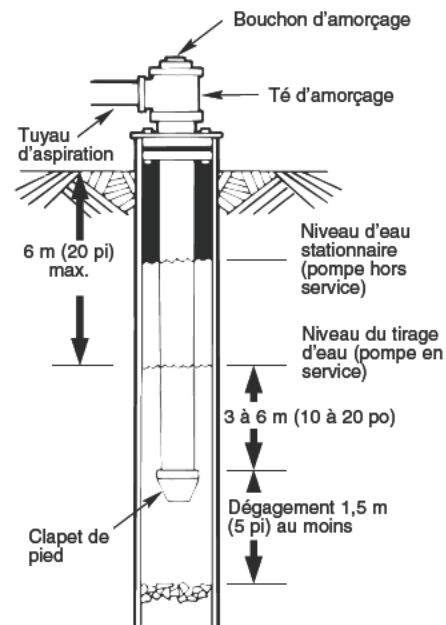


Figure 1 - Installation de puits cuvelé/creusé

Installation de puisage par point mené

- 1 ° Relier le tuyau d'aspiration au point d'entraînement (Fig. 2). Prévoir une longueur de tuyau horizontale aussi courte que possible. Utiliser de la bande téflon sur les filets de tuyau mâles. Il faut sans doute puiser à partir de points de puits multiples pour alimenter suffisamment la pompe en eau.
- 2 ° Installer un clapet de retenue dans le tuyau horizontal. La flèche indiquant le flux de débit sur le clapet de retenue doit être orientée vers la pompe.

Tuyauterie horizontale entre le puits et la pompe

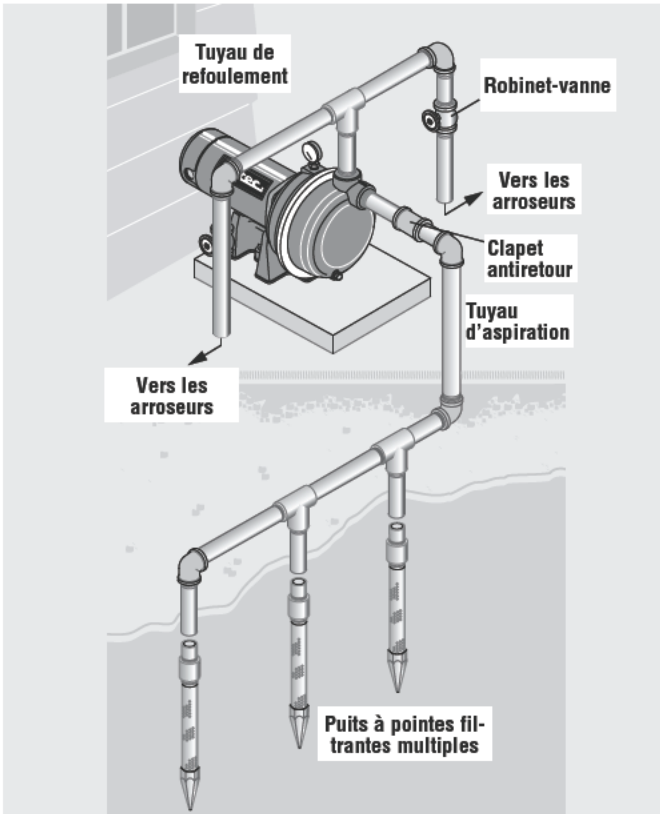


Figure 2 - Installation de puisage par point mené, points de puits multiples

- 1 ° Le rendement de la pompe diminuera si un tuyau d'un diamètre inférieur à 1 1/2 pouce est utilisé en tant que tuyau d'aspiration.
- 2 ° Pour faciliter l'amorçage de la pompe sur les installations par points de puisage, installer des clapets de retenue sur la tuyauterie. Vérifier si la flèche indiquant le flux du débit sur le clapet de retenue est orientée vers la pompe.

Calibre - du tuyau de refoulement

Le calibre du tuyau de refoulement doit être augmenté afin de réduire les pertes de pression provoquées par la friction sur les grandes longueurs de câblage.

- Longueurs jusqu'à 30,5 m (100 pi) : même calibre que l'orifice de refoulement de la pompe.
- Longueurs entre 30,5 m et 91,4 m (100 pi à 300 pi) : augmenter le calibre du tuyau d'un indice d'épaisseur.
- Longueurs entre 91,4 et 182,9 m (300 pi à 600 pi) : augmenter le calibre du tuyau de deux indices d'épaisseur.

Application de la pompe d'arrosage

Cette pompe est conçue pour l'arrosage des pelouses. Elle débite une bonne quantité d'eau lorsque le système d'arrosage fonctionne à pleine pression. Elle est capable de pomper à partir d'un étang, d'une citerne, ou d'un puits.

On peut séparer le refoulement de la pompe pour qu'il alimente 4 ou plusieurs systèmes d'arrosage.

Ne pas utiliser si une pompe de surpression est déjà utilisée.

Installation de la pompe/canalisation installation de la pompe

Si la pompe est mise en marche et arrêtée par pression, un manocontacteur et un réservoir sont requis. Pour connaître les instructions pour la bonne installation et le bon fonctionnement, appeler le service à la clientèle.

Utiliser un tuyau rigide. Ne pas utiliser de tuyaux flexibles ou en plastique. Voir « Installation de la tuyauterie du puits » pour plus de détails.

AVIS N'utiliser que du ruban téflon ou de la pâte d'étanchéité pour raccords filetés à base de téflon pour procéder à tous les raccords filetés sur la pompe. **Ne pas utiliser de pâte pour raccords filetés sur les pompes en plastique** : cette pâte peut réagir avec les éléments en plastiques de la pompe. S'assurer que tous les raccords du tuyau d'aspiration sont bien étanches, aussi bien à l'air qu'à l'eau. *Si le tuyau d'aspiration aspire de l'air, la pompe ne pompera pas l'eau du puits.*

- 1 ° Boulonner la pompe à un socle solide et à niveau.
- 2 ° Fixer la tuyauterie reliée à la pompe.
- 3 ° Envelopper les filets mâles de fixation sur la pompe avec 1-1/2 à 2 couches de bande téflon, en appliquant chacune dans le sens des aiguilles d'une montre (en faisant face à l'extrémité du tuyau).
- 4 ° Serrer les raccords à la main, un tour et demi à la fois. Ne pas trop forcer le serrage.
- 5 ° Remplacer le bouchon d'amorçage par un monomètre. Ceci permettra de déterminer la dimension des zones, de procéder à la recherche des pannes et de suivre les rendements de la pompe.

AVIS Installer la pompe aussi près que possible de la tête du puits. Les longueurs de câble excessives et la présence de nombreux raccords augmentent les problèmes de friction et réduisent la capacité du débit.

AVIS Pour les longs chemins de câblage à l'horizontale, monter une connexion d'amorçage en té entre le clapet de retenue et la tête du puits (Fig. 1). Pour les installations par points de puisage menés, installer un clapet de retenue sur la tuyauterie. Vérifier si la flèche indiquant le flux du débit sur le clapet de retenue est orientée **en direction** de la pompe.

Réglages du moteur

Les moteurs bitension (C'est-à-dire ceux qui fonctionnent sur le courant de 115 ou de 230 volts) sont réglés à l'usine pour fonctionner sur le courant de 230 volts. Ne pas modifier le réglage de la tension du moteur si la tension secteur est de 230 volts ou si le moteur est un moteur à une seule tension.

AVIS Ne jamais câbler un moteur fonctionnant sur le courant de 115 volts sur un circuit de 230 volts.

Pour déposer le couvercle du moteur

Dans le cas d'un moteur bitension devant être branché sur le courant de 115 volts, procéder comme il est indiqué ci-dessous.

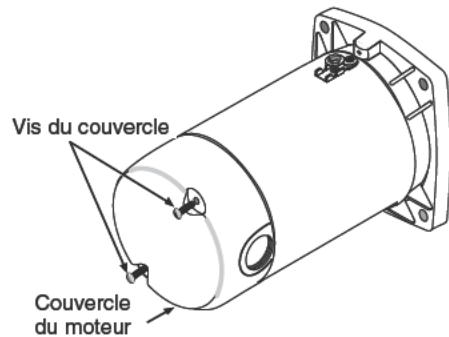


Figure 3 - Dépose du couvercle du moteur

Le couvercle du moteur devra être déposé pour modifier le réglage de la tension.

La plaque à bornes du moteur (située sous le couvercle du moteur) devrait ressembler à la Figure 4.

Sélection de 115 volts à l'aide du sélecteur de tension rotatif

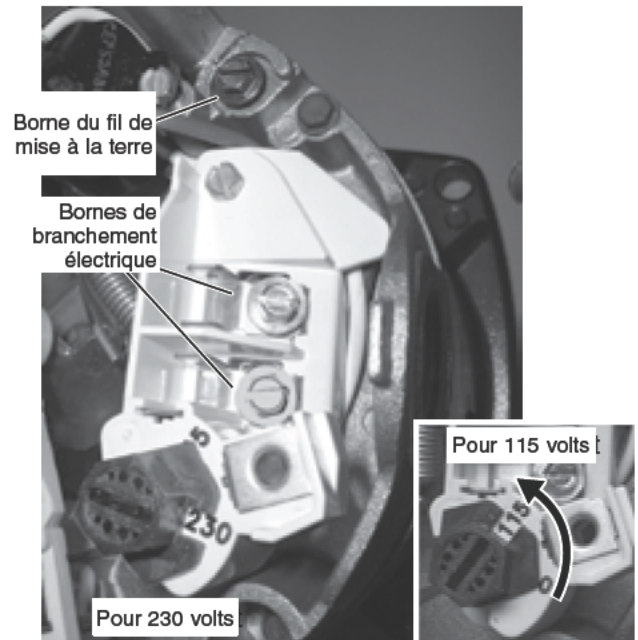


Figure 4 - Tension réglée sur le courant de 230 volts. Sélecteur rotatif; tourner le sélecteur à 115 volts. Introduire un outil dans la fente pour tourner le sélecteur.

Pour faire fonctionner le moteur sur le courant de 115 volts :


1. S'assurer que le courant est coupé.
 2. Tourner le sélecteur à gauche jusqu'à ce que « 115 » apparaisse dans la fenêtre du cadran.
 3. Brancher les fils d'alimentation sur les bornes. S'assurer que les fils sont bien retenus en place.
 4. Brancher le fil de mise à la terre sur la vis verte de mise à la terre.
 5. Reposer le couvercle du moteur.
- Passer à la rubrique « Câblage » qui suit.

⚠ AVERTISSEMENT Risque de secousses électriques. Pouvant causer des brûlures, voire la mort. Débrancher le moteur avant d'intervenir sur la pompe ou sur le moteur. Mettre le moteur à la terre avant de le brancher sur le courant d'alimentation.

Câblage

⚠ AVERTISSEMENT **Risque de secousses électriques.** Pouvant causer des brûlures, voire la mort.

- Mettre le moteur à la terre avant de le brancher sur le courant électrique. Ne pas mettre le moteur à la terre risque de causer des secousses électriques graves, voire mortelles.
 - Ne pas mettre à la terre sur une conduite d'alimentation en gaz.
 - Pour éviter les secousses électriques dangereuses, voire mortelles, couper le courant alimentant le moteur avant d'intervenir sur les connexions électriques.
 - La tension d'alimentation doit correspondre à $\pm 10\%$ de la tension indiquée sur la plaque signalétique. Une mauvaise tension risque de causer un incendie ou d'endommager le moteur et d'annuler la garantie. En cas de doute, s'adresser à un électricien qualifié.
 - Utiliser des fils d'après les diamètres spécifiés dans le Tableau de câblage (below). Dans la mesure du possible, brancher la pompe sur un circuit séparé sur lequel aucun autre appareil ne sera branché.
 - Câbler le moteur conformément au schéma figurant sur la plaque signalétique du moteur. Si le schéma de la plaque signalétique du moteur diffère de ceux ci-dessus, suivre le schéma de la plaque signalétique.
- 1 ° Cette pompe doit être installée, mise à la terre, câblée et entretenue conformément aux Codes de l'électricité. S'adresser à un inspecteur de la construction pour plus de renseignements concernant les codes.
 - 2 ° Pour être protégé pendant que l'on intervient sur le moteur, prévoir un sectionneur équipé d'un fusible adéquat. Consulter les Codes de l'électricité de la municipalité et du Canada en ce qui concerne les sectionneurs.
 - 3 ° Couper le courant avant d'intervenir sur la pompe ou sur le moteur. Si le sectionneur n'est pas visible de la pompe, le verrouiller en position ouverte et l'étiqueter pour empêcher que le courant puisse être rétabli accidentellement.

- 4 ° La pompe doit être mise à la terre en permanence à l'aide d'un fil du même diamètre que celui spécifié dans le tableau de câblage. Procéder au raccordement de mise à la terre sur la borne de terre verte qui se trouve sous le carter du moteur et repérée GRD ou .
- 5 ° Brancher le fil de mise à la terre sur un fil de mise à la terre du tableau de distribution ou sur un tuyau d'eau métallique enterré ou sur le tubage d'un puits ayant au moins 10 pieds de long. Ne pas brancher sur un tuyau en plastique ou sur des raccords isolés.
- 6 ° Protéger les conducteurs transporteurs de courant mis à la terre contre les coupures, la graisse, la chaleur, l'huile et les produits chimiques.
- 7 ° Brancher les conducteurs transporteurs de courant sur les bornes L1 et L2 qui se trouvent sous le carter du moteur. Lorsque l'on remplace le moteur, comparer le schéma de câblage de la plaque signalétique par rapport à la Figure 4. Si le diagramme de câblage du moteur ne correspond pas à la Figure 4, suivre le diagramme sur le moteur.

AVIS Les modèles monophasés fonctionnant sur le 115/230 volts sont expédiés de l'usine câblés pour fonctionner sur le 230 volts. Si le courant électrique est de 115 volts, déposer le carter du moteur et tourner le sélecteur sur le moteur tel qu'illustré à la Figure 4. Ne pas essayer de faire fonctionner un moteur comme il est reçu sur le courant de 115 volts.

- 8 ° Le moteur comporte une protection interne automatique contre les surcharges thermiques. Si, pour une raison inconnue, le moteur cesse de fonctionner, le protecteur contre les surcharges thermiques risque de redémarrer inopinément, ce qui risque de causer des blessures ou des dommages matériels. Toujours couper le courant avant d'intervenir sur le moteur.
- 9 ° Si cette méthode de schéma de câblage porte à confusion, consulter un électricien qualifié.

Tableau de câblage – indices des fusibles et des fils recommandés pour le courant de 115 et de 230 volts

Type de pompe	CV	Volts	Charge maxi.	Indice du fusible (dérivation)*	Fil AWG calibre mini. (mm ²)	Distance en mètres (pieds) séparant le moteur de l'alimentation				
						0 - 100 (0 - 30)	101 - 200 (31 - 61)	201 - 300 (62 - 91)	301 - 400 (91 - 122)	401 - 500 (123 - 152)
						Calibre fil AWG (mm ²)				
FP5162	1	115/230	14,8/7,4	20/15	12/14 (3/2)	12/14 (3/2)	8/14 (8,4/2)	6/14 (14/2)	6/12 (14/3)	4/10 (21/5,5)
FP5172	1 - 1/2	115/230	19,9/9,9	20/15	10/14 (5,5/2)	10/14 (5,5/2)	8/14 (8,4/2)	6/12 (14/3)	4/10 (21/5,5)	4/10 (21/5,5)
FP5182	2	115/230	24/12	20/15	10/14 (5,5/2)	10/14 (5,5/2)	6/14 (14/2)	6/12 (14/3)	4/10 (21/5,5)	4/10 (21/5,5)

*Les fusibles recommandés pour tous les circuits du moteur sont les fusibles temporisés à bicomposants ou de type Fusetron.

Amorçage de la pompe

AVIS L'“amorçage” signifie que la pompe chasse tout l'air hors du système, avant de commencer à pomper l'eau dans le système à partir de la source. L'amorçage ne concerne pas seulement le fait de verser de l'eau dans la pompe (même si cela est généralement la première étape de l'opération).

ATTENTION Risque de brûlures. Ne jamais faire tourner la pompe à sec. Si la pompe fonctionne sans apport d'eau, son mécanisme risque de surchauffer, et d'endommager le dispositif d'étanchéité et éventuellement de provoquer des brûlures corporelles aux personnes en train de manipuler la pompe. Verser de l'eau dans la pompe avant de commencer.

- 1 ° Déposer le bouchon d'amorçage.
- 2 ° S'assurer que les clapets d'aspiration et de refoulement et tous les flexibles du côté refoulement de la pompe sont en position ouvert.
- 3 ° Remplir d'eau la pompe et le tuyau d'aspiration (Fig. 5).
- 4 ° Remettre en place le bouchon d'amorçage et assurer son filetage avec de la bande téflon ; serrer le bouchon.

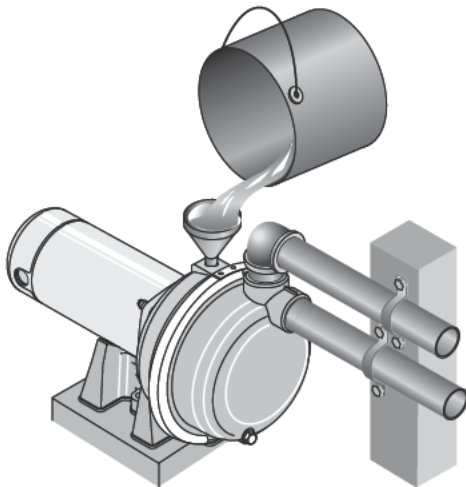


Figure 5 - Remplir la pompe avant de commencer

AVIS Si une connexion en té et un bouchon d'amorçage sont utilisés dans le cadre d'un long chemin de tuyauterie horizontale, faire en sorte que le tuyau d'aspiration se remplit par ce té, et repositionner le bouchon (appliquer de la bande téflon sur le bouchon).

- 5 ° Mettre la pompe en marche ; elle doit pouvoir extraire l'eau en 10 minutes au plus, le temps d'extraction dépendant de la profondeur où la pompe va chercher l'eau (la profondeur ne doit pas descendre en dessous de 6 m (20 pi)), et de la longueur de canalisation horizontale (3 m (10 pi) de tuyau d'aspiration horizontal = 30,5 cm (1 pi) d'élévation verticale provoquée par les pertes de friction dans le tuyau). Si la pompe n'extrait aucune quantité d'eau dans les 10 minutes, arrêter la pompe, libérer toute la pression, déposer le bouchon d'amorçage, remplir d'eau et recommencer l'opération.

AVERTISSEMENT Risque de brûlure et d'explosion. NE JAMAIS faire fonctionner la pompe avec le dispositif de refoulement en position fermée. Cela peut faire bouillir l'eau à l'intérieur de la pompe, créant une pression dangereuse dans l'équipement posant des risques d'explosion, ce qui peut ébouillanter les personnes manipulant la pompe (Fig. 6). Remplacer le bouchon d'amorçage par un manomètre pour pouvoir surveiller la pression de façon qu'elle ne dépasse pas les pressions de pompage maximum, conformément au Tableau de rendement.

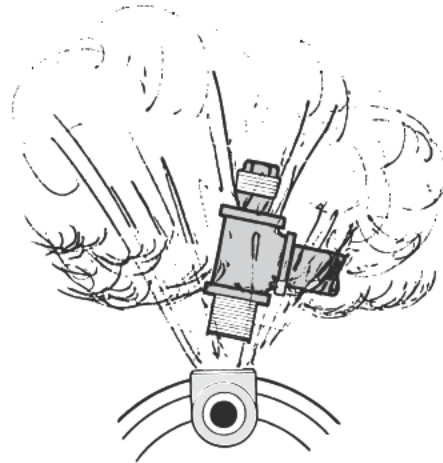


Figure 6 - Ne pas faire fonctionner la pompe avec l'ouverture de refoulement fermée.

Pour éviter les risques d'explosion s'assurer que le refoulement (clapet, gicleur de flexible, etc.) est en position ouvert pendant le fonctionnement de la pompe.

Surveiller la température du corps de la pompe et de la tuyauterie. Le moteur montera en température; ceci est tout à fait normal. Si le corps de la pompe ou la tuyauterie venait à être chaud au toucher, arrêter la pompe et laisser refroidir le système. Dissiper toute la pression du système et refaire le plein de la pompe et de la tuyauterie avec de l'eau froide.

⚠ AVERTISSEMENT **Risque de secousses électriques.** Pouvant causer des brûlures, voire la mort. La tension du condensateur peut être dangereuse. Pour décharger le condensateur, court-circuiter ensemble les bornes du condensateur, en tenant le tournevis dont le manche est isolé, PAR LE MANCHE. Ne toucher ni la lame métallique du tournevis ni les bornes du condensateur. En cas de doute, contacter un électricien qualifié.

Symptôme	Cause(s) probable(s)	Mesure corrective
Le moteur ne tourne pas	Le sectionneur est en position arrêt	Mettre le sectionneur en position marche.
	Le fusible est fondu	Remplacer le fusible.
	L'interrupteur de démarrage est défectueux	Remplacer l'interrupteur.
	Les fils au niveau du moteur sont trop détendus, déconnectés, ou connectés de manière incorrecte.	Se reporter aux instructions du câblage. Contrôler et errer tous les fils.
El moteur chauffe en fonctionnement et le dispositif de surcharge se déclenche ou bien le moteur ne fonctionne pas il bourdonne	Lemoteur n'est pas câblé correctement.	Se reporter aux instruction de câblage.
	La tension est trop faible.	Vérifier la tension parvenant au moteur. Installer un câblage de type plus épais si le calibre du fil est trop mince (voir Schéma de câblage/Installation électrique).
Le moteur fonctionne mais ne débite pas d'eau (*Remarque: Vérifier l'amorçage avant de rechercher d'autres causes de panne. Dévisser le bouchon d'amorçage et vérifier visuellement si le trou d'amorçage contient de l'eau.)	*La pompe de la nouvelle installation n'est pas parvenue à amorcer le prélèvement d'eau:	Dans une nouvelle installation :
	1. Amorçage incorrect.	1. Réamorcer la pompe en suivant les instructions.
	2. Fuites d'air	2. Vérifier tous les raccords de la conduite d'aspiration avec de l'eau savonneuse ou de la crème à raser.
	3. Fuite sur le clapet de pied	3. Remplacer la clapet pied.
	4. Le diamètre du tuyau est trop petit	4. Poser des tuyaux de plus gros et du même diamètre que les orifices d'aspiration et de refoulement de la pompe.
	* Le perte d'amorçage de la pompe est provoquée	Dans une installation fonctionnant déjà:
	1. Fuites d'air	1. Vérifier les connexions sur le tuyau d'aspiration et le joint d'étanchéité de l'arbre avec de l'eau savonneuse.
	2. Niveau d'eau au-dessous du seuil d'aspiration de la pompe	2. Abaisser te tuyau d'aspiration dans le volume d'eau du puits et réamorcer la pompe. Si la baisse de niveau de l'eau dans le puits est supérieure à la force d'élévation de l'aspiration, il faut utiliser une pompe de puisage en eau profonde.
	La roue motrice est bloquée	Nettoyer la roue motrice.
	Vérifier si le clapet de retenu ou le clapet de pied est bloqué en position fermée	Remplacer la clapet de retenu ou le clapet de pied.
	La tuyauterie est gelée	Faire fondre l'eau des tuyaux. Enterrer les tuyaux au-dessous de la ligne de gel.
Faire chauffer la cavité ou le logement de la pompe	Le clapet de pied et/ou l'épurateur sont enfouis dans le sable ou la boue. Extraire le clapet de pied et/ou l'épurateur et les élever du puits.	
*Le pompe n'extrait pas le débit d'eau à plein volume	Le niveau d'eau dans le puits est plus bas que prévu	Il faut sans doute utiliser unee pompe à vide adaptée à puisage en eau profonde (à une profondeur descendant en dessous de 6,1 m (20 pi)).
	L'acier de la tuyauterie utilisée (le cas échéant) est corrodé ou limé, ce qui provoque une friction excessive	Remplacer l'installation par des tuyaux en plastique quad c'est possible, ou sinon, par des nouveaux tuyaux en acier.
	Le diamètre de tuyau est trop petit	Poser des tuyaux de plug gros et du même diamètre que les orifices d'aspiration et de refoulement de la pompe
	Pas assez d'eau parvient à la pompe	Ajouter d'autres pointes filitrantes.
La pompe fuit autour du collier	Le collier est desserré	Arrêter la pompe, resserrer l'écrou du collier de 1 ou 2 tours. Serrer et frapper légèrement sur le collier en alternant à l'aide d'une massette pour faire reposer le joint torique. Ne pas serrer exagérément.

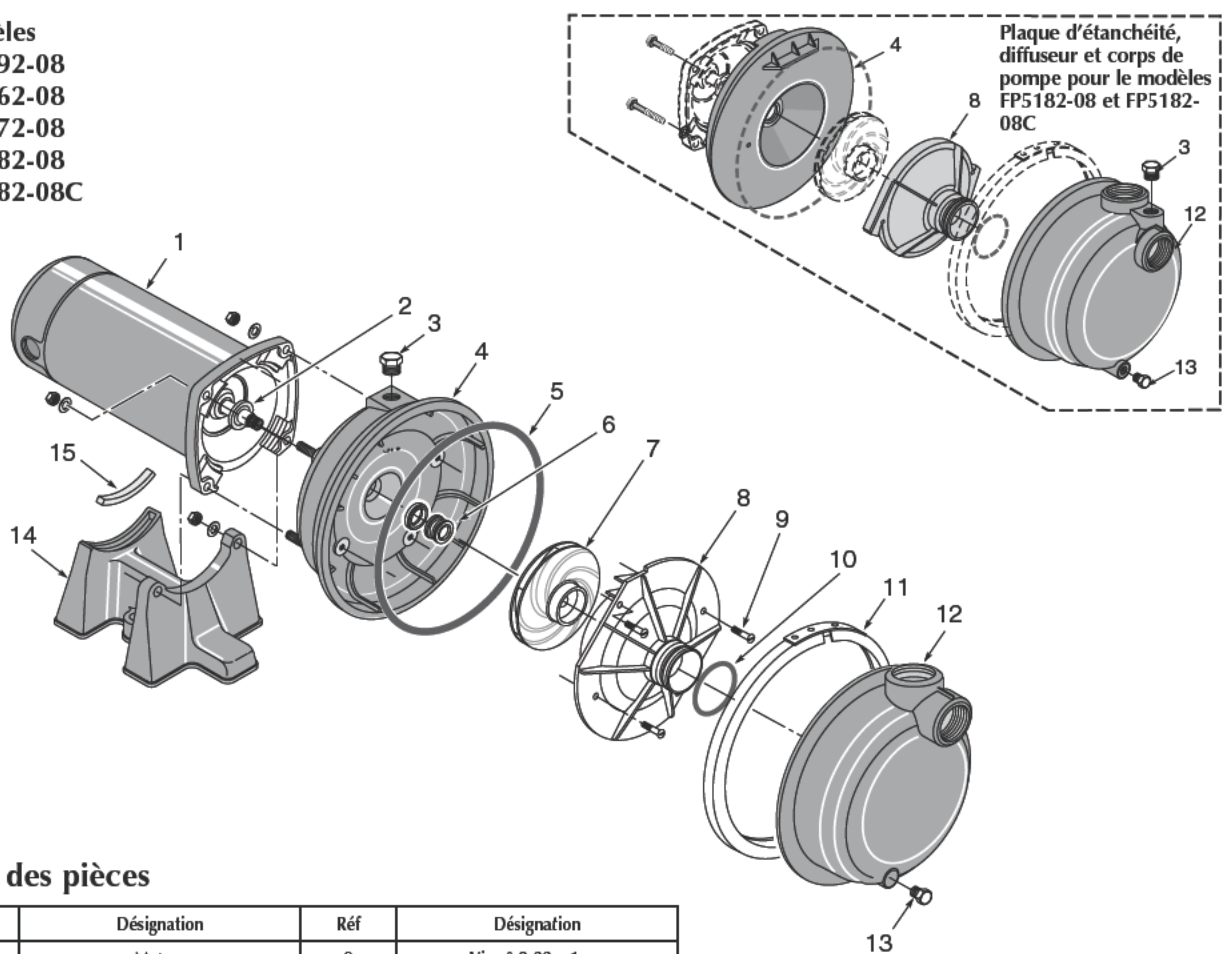
Table de rendement en GPM(LPM)

Pression de refoul en lb/po ²	FP5162 - 1HP				FP5172 - 1 - 1/2 HP				FP5182, FP5182C - 2HP			
	Hauter de la pompe au-dessus de l'eau en pieds (mètres)											
	5' (1,5)	10' (3)	15' (4,6)	20' (6,1)	5' (1,5)	10' (3)	15' (4,6)	20' (6,1)	5' (1,5)	10' (3)	15' (4,6)	20' (6,1)
10 (69)	55 (208)	49 (185)	48 (181)	45 (170)	67 (254)	61 (231)	56 (212)	46 (174)	69 (261)	64 (242)	65 (246)	62 (235)
15 (103)	51 (193)	46 (174)	45 (170)	44 (166)	66 (250)	58 (220)	55 (208)	45 (170)	65 (246)	62 (235)	60 (227)	57 (215)
20 (138)	45 (170)	42 (159)	39 (148)	37 (140)	61 (231)	56 (212)	54 (204)	44 (166)	59 (223)	56 (212)	54 (204)	52 (197)
25 (172)	38 (144)	35 (132)	32 (121)	29 (110)	55 (208)	52 (197)	51 (193)	43 (163)	52 (197)	50 (189)	48 (181)	46 (174)
30 (207)	31 (117)	28 (106)	24 (90)	20 (76)	48 (181)	45 (170)	44 (166)	37 (14)	47 (178)	45 (170)	42 (159)	40 (151)
35 (241)	23 (87)	19 (72)	16 (60)	11 (42)	39 (147)	37 (140)	34 (129)	28 (106)	42 (159)	38 (144)	35 (132)	32 (121)
40 (276)	17 (64)	13 (49)	8 (30)		33 (125)	27 (102)	20 (76)	11 (42)	34 (129)	30 (113)	27 (102)	23 (87)
45 (310)					18 (68)	14 (53)	8 (30)		25 (95)	18 (68)	13 (49)	10 (38)
50 (345)									14 (53)	7 (26)		

Le diamètre du refoulement et de l'aspiration de tous les modèles, à l'exception des modèles FP5182 et FP8182C, est de 1 1/2 pouce NPT. L'aspiration et le refoulement des modèles FP5182 et FP8182C est de 2 pouces NPT.

Pour les services des pièces ou d'assistance, appeler le service à la clientèle Flotec en composant le (800)365-6832.

Modèles
 FP5192-08
 FP5162-08
 FP5172-08
 FP5182-08
 FP5182-08C



Nom des pièces

Réf	Désignation	Réf	Désignation
1	Moteur	9	Vis n° 8-32 x 1 po
2	Défecteur	•	Rondelle-frein*
3	Bouchon d'amorçage	10	Joint torique de diffuseur
4	Plaque d'étanchéité	11	Collier
5	Joint torique	12	Corps de pompe
6	Joint d'arbre	13	Bouchon de vidange
7	<i>Impulseur</i>	14	Socle
8	<i>Diffuseur</i>	15	Embrayage du moteur

*Modèles FP5182-08 et FP5182-08C seulement.

Les pièces en caractères gras sont fournies avec le nécessaire de bagues et de joints d'étanchéité et le nécessaire de révision.

Les pièces en caractères gras et en italiques ne sont fournies qu'avec le nécessaire de révision.

Réf	Désignation	FP5162-08 1HP	FP5172-08 1 - 1/2 HP	FP5182-08 2 HP
1	Moteur	J218-596PKG	J218-601PKG	J2180883APKG
4	Plaque d'étanchéité	L176-47P1	L176-47P1	C103-189P
11	Collier	C19-54SS	C19-54SS	C19-37A
12	Mollié avant du corps de la pompe	C176-53P	C176-53P	C176-62P
14	Socle	C4-42P	C4-42P	C4-42P
•	Nécessaire de bagues et de joints d'étanchéité. Comprend les réf. 2, 5, 6, 9, et 10. Voir "Nom des pièces" ci-dessus.	FPPP5000	FPPP5000	FPPP5000
•	Nécessaire de révision Comprend toutes les réf. faisant partie du nécessaire de bagues et de joints d'étanchéité, plus la réf. 7, <i>impulseur</i> , et 8, <i>diffuseur</i> . Voir "Nom des pièces" ci-dessus.	FPP5001	FPP5002	FPP2008

Pour les services des pièces ou d'assistance, appeler le service à la clientèle Flotec en composant le (800)365-6832.

Conserver le reçu de caisse original aux fins d'admissibilité à la garantie

Garantie limitée

La présente garantie limitée est entrée en vigueur le 1er juin 2011 et remplace toute garantie non datée ou antérieure à cette date. FLOTEC garantit à l'acheteur/au consommateur d'origine (l'Acheteur) que ses produits sont exempts de tout vice de matériau et de fabrication. Cette garantie est valable pendant douze (12) mois à partir de la date d'achat d'origine. Si, dans les douze (12) mois suivant la date d'achat d'origine, un produit se révèle défectueux, il doit être réparé ou remplacé, à la discrétion de FLOTEC, selon les modalités énoncées aux présentes. Il est à noter que la présente garantie limitée s'applique aux défauts de fabrication seulement. Elle ne couvre pas l'usure normale. Tout dispositif mécanique doit faire l'objet d'un entretien périodique pour veiller à son bon fonctionnement. La présente garantie limitée ne couvre pas les réparations attribuables à l'usure normale d'une pièce ou de l'équipement.

Le reçu de caisse original et l'étiquette d'information sur la garantie sont nécessaires pour déterminer l'admissibilité à la garantie. Cette dernière est établie en fonction de la date d'achat de l'article et non de la date de son remplacement sous garantie. La garantie se limite à la réparation ou au remplacement de l'article original seulement et ne couvre pas l'article de rechange (c.-à-d. un article remplacé sous garantie par achat). L'Acheteur assume les frais de retrait, d'installation, de transport et tous les frais accessoires.

Pour obtenir des pièces ou de l'aide technique, NE PAS retourner le produit au détaillant. Contacter le service à la clientèle de FLOTEC au 800 365-6832.

Toute demande de règlement en vertu de la présente garantie doit être faite en retournant l'article (à l'exception des pompes de puisard; voir la marche à suivre ci-dessous) au magasin où celui-ci a été acheté ou à l'usine dès qu'une défectuosité est soupçonnée. FLOTEC prendra les mesures correctives nécessaires dans un délai rapide et raisonnable. Aucune demande de réparation ne sera acceptée plus de 30 jours après l'expiration de la garantie.

La garantie ne peut être cédée et ne s'applique pas aux produits utilisés à des fins commerciales ou de location.

Pompes d'eaux d'égout

NE PAS RETOURNER une pompe d'eaux d'égout (qui a été installée) au détaillant. Communiquer avec le service à la clientèle de FLOTEC. Les pompes d'eaux d'égout qui ont été utilisées, puis retirées présentent un risque de contamination.

En cas de défaillance de la pompe d'eaux d'égout :

- Porter des gants en caoutchouc pour manipuler la pompe.
- À des fins de garantie, retourner l'étiquette figurant sur le cordon de la pompe et l'original du reçu au détaillant.
- Mettre la pompe au rebut conformément à la réglementation locale.

Exceptions à la garantie limitée de douze (12) mois

Produit	Période de garantie
FPOF360AC, FPOFDC	90 jours
FPOS1775A, FPOS1790PCA, FPOS2400A, FPOS2450A, FPOS4100X, FP2800DCC, FPCP-20ULST, FPPSS3000, FPSC2150A, FPSC3150A, FPSC3350A	2 ans
Pompes de puits submersibles de 10,2 cm (4 po), FPOS3200A, FPOS3250A, FPOS6000A, FPSC1725X, FPSC2200A, FPSC2250A, FPSE3601A, FPPSS5000	3 ans
Réservoir préchargé de système d'eau (gamme FP7100), E100ELT, E3305TLT, E3375TLT, E5005TLTT, E50TLT, E50VLT, E75STVT, E75VLT, FPSC3200A, FPSC3250A, FPSC4550A	5 ans

Modalités générales et restriction des recours

L'Acheteur doit payer tous les frais de main d'œuvre et de transport nécessaires au remplacement du produit garanti couvert par cette garantie. Cette garantie ne s'applique pas à ce qui suit : (1) Les catastrophes naturelles; (2) Les produits qui, selon FLOTEC, ont fait l'objet d'une négligence, d'une utilisation abusive, d'un accident, d'une mauvaise application ou d'une altération; (3) Les défaillances dues à une installation, une utilisation, un entretien ou un entreposage inappropriés; (4) Une application, une utilisation ou une réparation atypique ou non approuvée; (5) Les défaillances causées par la corrosion, la rouille ou d'autres matériaux étrangers au système, ou par une utilisation à une pression supérieure au maximum recommandé.

Cette garantie établit la responsabilité unique de FLOTEC et le recours exclusif de l'Acheteur en cas de produit défectueux.

FLOTEC NE POURRA ÊTRE TENUE RESPONSABLE DE TOUT DOMMAGE INDIRECT OU CONSÉCUTIF QUEL QU'IL SOIT.

LA GARANTIE LIMITÉE SUSMENTIONNÉE EST EXCLUSIVE ET REMPLACE TOUTES LES AUTRES GARANTIES EXPRESSES ET TACITES, Y COMPRIS, MAIS SANS S'Y LIMITER, LES GARANTIES DE QUALITÉ MARCHANDE ET D'ADAPTATION À UN USAGE PARTICULIER. LA GARANTIE LIMITÉE SUSMENTIONNÉE NE DOIT PAS ÊTRE PROLONGÉE AU-DELÀ DE LA DURÉE PRÉVUE AUX PRÉSENTES.

Certains États ne permettent pas l'exclusion ou la limitation des dommages indirects ou consécutifs, ni les limitations relatives à la durée des garanties implicites. Par conséquent, il se peut que les limitations ou les exclusions ci-dessus ne s'appliquent pas. Cette garantie procure des droits juridiques précis à l'Acheteur. Cependant, il est possible de bénéficier d'autres droits, qui varient selon l'État.

FLOTEC • 293 Wright Street • Delavan, WI USA 53115

Téléphone : 800 365-6832 • Télécopieur : 800 526-3757 • www.flotecwater.com

Instrucciones importantes de seguridad

Guarde estas instrucciones - Este manual contiene instrucciones importantes que se deben seguir durante la instalación y el mantenimiento del bombas de sumidero.

⚠ Este es un símbolo de alerta sobre la seguridad. Cuando vea este símbolo en su bomba o en este manual, busque para ver si hay alguna de las siguientes palabras de señal y esté alerta a la posibilidad de lesiones personales.

⚠ PELIGRO indica un riesgo que, de no evitarse, *provocará* la muerte o lesiones de gravedad.

⚠ ADVERTENCIA indica un riesgo que, de no evitarse, *podría provocar* la muerte o lesiones de gravedad.

⚠ PRECAUCIÓN indica un riesgo que, de no evitarse, *podría provocar* lesiones leves o moderadas.

AVISO hace referencia a una práctica no relacionada con una lesión física.

Lea y siga cuidadosamente todas las instrucciones de seguridad en este manual y en la bomba.

Mantenga las etiquetas de seguridad en buenas condiciones. Reemplace las etiquetas de seguridad faltantes o dañadas.

Advertencia de la Proposición 65 de California

⚠ ADVERTENCIA Este producto y accesorios relacionados contienen sustancias químicas reconocidas en el Estado de California como causantes de cáncer, malformaciones congénitas y otros daños al sistema reproductivo.

⚠ ADVERTENCIA



Voltaje peligroso. Puede ocasionar conmoción, quemaduras e incluso la muerte.

Conecte la bomba a tierra antes de conectarla a la alimentación eléctrica. Desconecte la alimentación de energía antes de trabajar en la bomba, el motor o el tanque.

- ⚠ Conecte el motor al voltaje correcto.** Vea la sección "Electricidad" en este manual y la placa del motor.
- ⚠ Conecte el motor a tierra antes de conectarlo a la alimentación de energía.**
- ⚠ Cumpla con las indicaciones del Código Nacional Eléctrico, el de Canadá y los códigos locales para toda la conexión eléctrica.**
- ⚠ Siga las instrucciones de conexión eléctrica en este manual al conectar el motor a las líneas de energía eléctrica.**

Seguridad eléctrica

⚠ ADVERTENCIA **Riesgo de choque eléctrico.** Puede provocar choque, quemadura o muerte. Para descargar el capacitor del motor, tome un desatornillador con mango aislado **POR EL MANGO** y ponga en corto las terminales del capacitor. No toque la superficie de metal del desatornillador ni las terminales del capacitor. Si tiene alguna duda, consulte a un electricista calificado.

Seguridad general

⚠ PRECAUCIÓN **Riesgos de quemaduras.** Los motores modernos están diseñados para operar a temperaturas altas. Para evitar quemaduras al realizar el servicio a una bomba, déjela enfriar por 20 minutos después de apagarla.

Esta bomba se ha diseñado para ser usada únicamente en rociadores de césped. Para evitar peligros de recalentamiento o sobrepresión y posibles lesiones, no la use en un sistema de agua doméstico. No utilice la bomba como bomba de presión: la presión en el lado de succión puede provocar la explosión del cuerpo de la bomba.

No deje que la bomba o el sistema de tubería se congelen. El congelamiento puede dañar la bomba y la tubería, puede provocar lesiones por fallas del equipo y anulará la garantía.

Utilice esta bomba solamente para bombear agua.


Inspeccione periódicamente la bomba y los componentes del sistema.

Cuando trabaje con bombas use siempre anteojos de seguridad.

Mantenga el lugar de trabajo limpio, sin objetos acumulados y adecuadamente iluminado. Guarde como corresponde todas las herramientas y equipos sin utilizar.

Mantenga a los visitantes a una distancia segura de los lugares de trabajo.

"Aspirar en vacío" a una bomba significa hacerla funcionar cuando el sistema libera muy poco o nada de agua. **Nunca** opere la bomba por encima de la presión recomendada que aparece en la tabla de rendimiento.



⚠ ADVERTENCIA

Presión peligrosa! Instale una válvula de alivio de presión en la tubería de descarga.

Libere toda la presión en el sistema antes de trabajar en alguno de los componentes.

Gracias por adquirir una bomba de calidad superior que ya ha sido probada en la fábrica.

	Page
Seguridad General.....	22
Instalación	24, 25
Electricidad	26, 27
Operación.....	28
Solución de Problemas	29
Refacciones	30
Garantía.....	31

Antes de instalar la bomba

AVISO El nivel de agua en el pozo no debe estar a una distancia mayor de 20 pies (6,1 m).

- Paso 1. El uso de tramos prolongados y el empleo de numerosos accesorios aumenta la fricción y reduce el caudal. Ubique la bomba lo más cerca posible del pozo, use la cantidad mínima posible de codos y uniones, asegúrese de que el tubo de succión sea recto y esté orientado hacia la bomba.
- Paso 2. Asegúrese de que el pozo y el tubo estén limpios, sin arena, suciedad o incrustaciones. Las materias extrañas taponarán la bomba y cancelarán la garantía. Para obtener los mejores resultados use tubos nuevos.
- Paso 3. Proteja la bomba y toda la tubería contra el congelamiento. El congelamiento rajará los tubos, dañará la bomba y anulará la garantía. Verifique en la localidad cuáles son las medidas de protección contra el congelamiento (por lo común la tubería debe enterrarse unas 12 pulg. [30 cm] por debajo del nivel de la helada y la bomba deberá aislarse).
- Paso 4. Asegúrese de que todos los tubos y la válvula de pie estén limpios y en buen estado.
- Paso 5. Verifique que en el tubo de succión no queden espacios llenos de aire.
- Paso 6. Verifique que no haya pérdidas en el tubo de succión. Use cinta de teflón o masilla de juntas para sellar las uniones entre tubos.
- Paso 7. Las uniones instaladas cerca de la bomba y del pozo facilitan los servicios a la instalación. Deje suficiente lugar para utilizar llaves.

ADVERTENCIA **Riesgo de explosión.** No haga la conexión a tierra en una línea de suministro de gas. El cuerpo de la bomba puede explotar si la bomba se utiliza como bomba de presión. **NO USE** la bomba para obtener aumentos de presión.

ADVERTENCIA **Riesgo de explosión.** No haga la conexión a tierra en una línea de suministro de gas. El motor normalmente funciona a altas temperaturas y estará muy caliente para tocarlo. Esta protegido contra el daño que puede causar el calor durante el funcionamiento mediante un interruptor interno de cierre automático. Antes de manipular la bomba o el motor, pare el motor y déjelo enfriar durante aproximadamente 20 minutos.

Instalación Del Tubo En El Pozo

AVISO Use el método de instalación descrito a continuación que mejor se adapte al tipo de pozo que usted tiene.

Instalación en pozo revestido o en pozo excavado

- Paso 1. Inspect foot valve to be sure it works freely. Inspeccione la válvula de pie para asegurarse de que funcione sin problemas. Inspeccione la cesta de aspiración para asegurarse de que esté limpia y firme.
- Paso 2. Conecte la válvula de pie y el filtro al primer tramo del tubo de succión y baje el tubo por el interior del pozo. Agregue secciones a la tubería según se requiera, usando una cinta de Teflón en las roscas macho (use tubos de 1-1/2" para tuberías de aspiración). Use cinta de teflón sobre las roscas macho. Asegúrese de que no haya pérdidas a través de todo el tubo de succión, en caso contrario la bomba perderá el cebado y dejará de bombear. Instale la válvula de pie a unos 10 a 20 pies (3 a 6 m) por debajo del nivel mínimo al que descenderá el agua con la bomba en funcionamiento (abatimiento). El perforador de pozos que haga el trabajo le podrá dar esta información.
- Paso 3. Para impedir que la arena y los sedimentos entren al sistema de bombeo la válvula de pie y el filtro deben estar por lo menos a 5 pies (1,5 m) por encima del fondo del pozo.
- Paso 4. Cuando se alcance la profundidad correcta coloque el sello sanitario sobre el pozo y dentro del revestimiento del pozo. Ajuste los pernos para sellar la tubería de revestimiento.
- Paso 5. Cuando se usa válvula de pie se recomienda una unión T con tapón para cebar la bomba (Fig. 1).

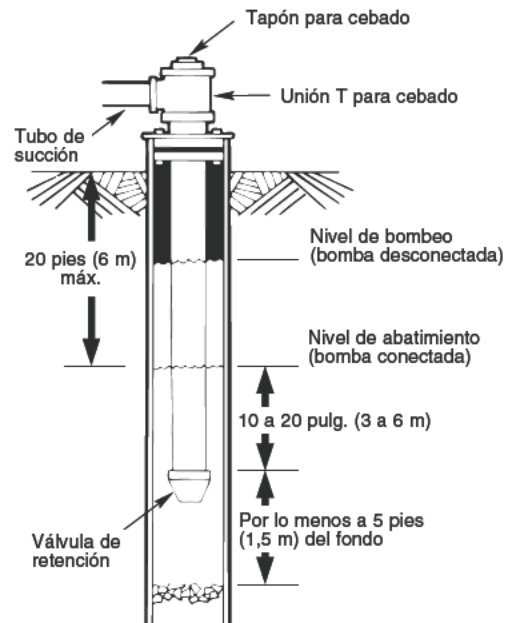


Figura 1- Instalación en pozo revestido o excavado

Instalación en pozos con tubería hincada

- Paso 1. Conecte el tubo de succión al tubo enclavado (fig. 2). Mantenga el tramo de tubo horizontal tan corto como sea posible. Use cinta de teflón en las roscas machos. Quizás sean necesarios varios pozos hincados para que proporcionen suficiente agua a la bomba.
- Paso 2. Instale una válvula de retención en el tubo horizontal. La flecha indicadora de dirección de flujo en la válvula de retención debe apuntar hacia la bomba.

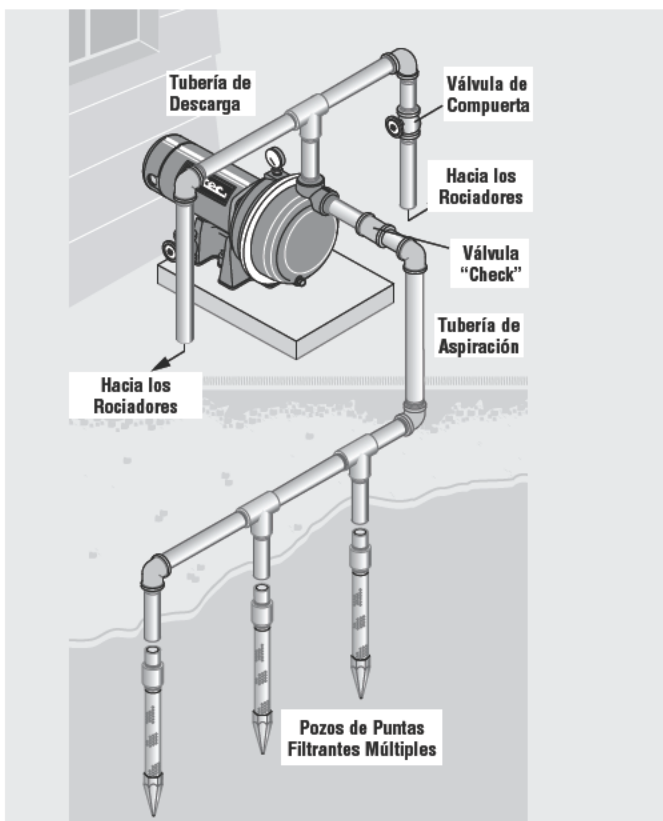


Figura 2 - Instalación en pozos hincados, pozos hincados múltiples

Tubería horizontal del pozo a la bomba

- Paso 1. El rendimiento de la bomba disminuirá si se usa un tubo menor de 1-1/2" como tubo de aspiración.
- Paso 2. Para facilitar el cebado en las instalaciones de tubos de pozos hincados, instale una válvula de retención en la tubería. Asegúrese de que la flecha indicadora de sentido de flujo en la válvula de retención apunte hacia la bomba.

Tamaño de los tubos de descarga

El tamaño del tubo de descarga debe aumentarse para reducir las pérdidas de presión causadas por fricción en tramos de tubería de gran longitud.

- Hasta 100 pies (30,5 m): diámetro igual a la conexión de descarga de la bomba.

- De 100 a 300 pies (30,5 a 91,4 m): utilice tubería un número mayor.
- De 300 a 600 pies (91,4 a 182,9 m): aumente dos números el tamaño de la tubería.

Aplicación para riego de césped

Esta bomba, que se ha diseñado para regar césped, entrega un considerable caudal de agua con presión plena en los rociadores. La bomba bombea de albercas, cisternas o pozos. La descarga de la bomba puede dividirse para abastecer a 4 o más sistemas de rociadores.

No la use en aplicaciones de bomba de refuerzo.

Instalación de la bomba y tuberías

Si la bomba se enciende y apaga por medio de presión, se requieren un conmutador a presión y un tanque. Para instrucciones sobre la instalación y operación adecuadas llame al departamento de servicio al cliente.

Use tubería rígida. No utilice mangueras o tubos de plástico. Para mayor información consúltese la sección "Instalación de la tubería en el pozo".

AVISO Utilice solamente cinta de teflón o compuestos para enchufes a base de teflón para todas las conexiones de rosca a la bomba. **No use compuestos de burlete para tuberías en bombas de plástico:** estos pueden reaccionar con los componentes de plástico de la bomba. Asegúrese de que todos los burletes en la tuberías de aspiración sean impermeables y herméticos. *Si la tubería de aspiración aspira aire, la bomba no podrá sacar agua del pozo.*

- Paso 1. Instale la bomba con pernos a una base sólida y nivelada.
- Paso 2. Instale todas las tuberías conectadas a la bomba.
- Paso 3. Envuelva a dos capas de cinta de teflón en sentido de las agujas del reloj (mirando de frente al tubo) en todas las roscas macho que se conecten a la bomba.
- Paso 4. Apriete las juntas manualmente hasta ponerlas firmes y añada una y media vueltas. **No ajuste en exceso.**
- Paso 5. Substituya el tapón de cebado con un manómetro. Esto ayudará a calcular el tamaño de las zonas, localizar fallas y en la lectura de la tabla de rendimiento de la bomba.

AVISO Instale la bomba tan cerca de la boca del pozo como sea posible. Los tramos largos de tubería y el uso de numerosos accesorios crean fricción y reducen el caudal.

AVISO Para tramos de tuberías horizontales muy largos, instale una unión T para cebado entre la válvula de retención y la boca del pozo (fig. 1). Para las instalaciones de pozos hincados instale la válvula de retención. Asegúrese de que la flecha indicadora de dirección de corriente en la válvula de retención apunta **hacia** la bomba.

Configuraciones del interruptor del motor

Los motores de dos tensiones (motores que pueden operar tanto a 115 como a 230 voltios) vienen configurados de fábrica a 230 voltios. No cambie la configuración de tensión del motor si la línea de tensión es de 230 voltios o si usted tiene un motor de una sola tensión

AVISO Nunca conecte un motor de 115 voltios a una línea de 230 voltios.

Saque la tapa del motor

Si usted tiene un motor de dos tensiones y lo conectará a una línea de 115 voltios, siga el procedimiento indicado a continuación.

Deberá sacar la cubierta del motor para cambiar la

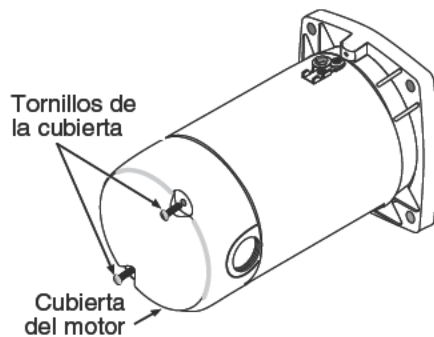


Figura 3 - Remoción de la cubierta del motor

configuración de tensión.

La placa de bornes del motor (que se encuentra bajo la tapa del motor) debe ser parecida a la ilustración de la Figura 4.

Cómo seleccionar 115 voltios con el selector de tensión tipo cuadrante

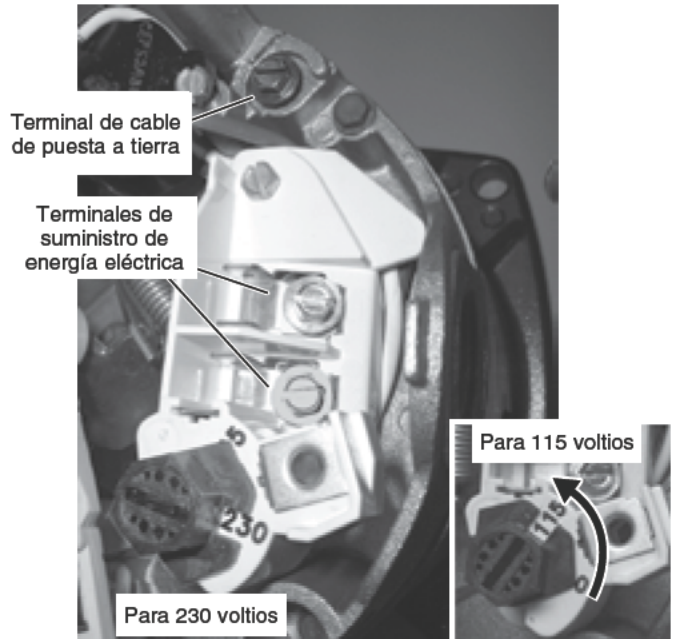


Figura 4 - Configuración de tensión a 230 voltios, tipo cuadrante; gire el cuadrante hasta que marque 115 voltios. Introduzca una herramienta en la ranura para hacer girar el cuadrante.

Para cambiar a 115 Voltios:

1. Verifique que la corriente eléctrica esté desconectada.
2. Gire el cuadrante hacia la izquierda (en dirección contraria a las agujas del reloj) hasta que la ventana del cuadrante indique 115.
3. Conecte los cables conductores de potencia a los bornes conductores de potencia. Verifique que los cables estén bien fijados.
4. Conecte el cable de puesta a tierra al tornillo verde de puesta tierra.
5. Vuelva a colocar la cubierta del motor.

Pase a la sección de Conexiones de Cableado a continuación.

⚠ ADVERTENCIA **Riesgo de choque eléctrico.** Puede provocar choque, quemadura o muerte. Puede causar choques, quemaduras o muerte. Desconecte la corriente al motor antes de trabajar en la bomba o en el motor. Conecte el motor a tierra antes de conectarlo al suministro de corriente.

Cableado

⚠ ADVERTENCIA **Riesgo de choque eléctrico.** Puede provocar choque, quemadura o muerte.

- Conecte el motor a tierra antes de conectarlo al suministro de energía eléctrica. Si no se conecta el motor a tierra existe el riesgo de choque eléctrico grave o fatal.
- La conexión a tierra no debe ser por medio de una línea de suministro de gas.
- Para evitar choques eléctricos peligrosos o fatales, apague el motor antes de trabajar con conexiones eléctricas.
- La tensión de suministro debe encontrarse dentro de $\pm 10\%$ de la tensión de la placa de fábrica. Una tensión incorrecta puede causar incendios o dañar al motor, anulando la garantía. Si está en duda, consulte con un electricista certificado.
- Use alambres del tamaño especificado en la Tabla de Cableado (Página 25). Si es posible, conecte la bomba a un circuito derivado separado, sin otros aparatos conectados al mismo.
- Conecte los cables del motor según el diagrama que aparece en la placa de fábrica del motor. Si el diagrama de la placa de fábrica es diferente a los diagramas presentados arriba, siga el diagrama de la placa de fábrica.

- Paso 1. Instale, ponga a tierra, conecte los cables y mantenga esta bomba conforme a los requisitos del código eléctrico. Consulte a su inspector local de construcciones para obtener información sobre los códigos.
- Paso 2. Suministre un interruptor de desconexión con el fusible correcto para protección mientras se trabaja con el motor. Consulte los códigos eléctricos locales o nacionales con respecto a los requisitos para interruptores.
- Paso 3. Desconecte la corriente antes de reparar el motor o la bomba. Si el interruptor de desconexión está fuera de la vista de la bomba, trábelo en posición abierta

y ponga un etiqueta para evitar que se aplique la corriente accidentalmente.

- Paso 4. Conecte la bomba a tierra en forma permanente usando un alambre del mismo tamaño que el especificado en la tabla de cableado. Haga la conexión a tierra con el borne verde de puesta a tierra bajo el techo que está marcado GRD o \oplus .
- Paso 5. Conecte el alambre de puesta a tierra a un cable de ida a tierra en el tablero de servicio o a una tubería de metal para agua subterránea o una envoltura para pozos de por lo menos 10 pies de largo. No conecte a un tubo de plástico o a accesorios aislados.
- Paso 6. Proteja los conductores de puesta a tierra y los que llevan la corriente contra cortes, grasa, calor, aceite y productos químicos.
- Paso 7. Conecte los conductores que llevan la corriente a los bornes L1 y L2 bajo el techo del motor. Cuando cambie el motor, inspeccione el diagrama de cableado en la placa de fábrica del motor contra la Figura 4. Si el diagrama de cableado no es igual al de la Figura 4, bájese en el diagrama del motor.

AVISO Los modelos monofásicos de 115/230 voltios se despachan de fábrica con el motor cableado para 230 voltios. Si la corriente eléctrica es de 115 voltios, remueva el techo del motor y cambie el cuadrante del interruptor como se ilustra en la Figura 4. No trate de hacer marchar el motor en el estado que se recibió, si la corriente es de 115 voltios.

- Paso 8. El motor tiene una protección automática interna de sobrecarga térmica. si el motor se ha detenido por razones desconocidas, la sobrecarga térmica puede volver a arrancarlo sorpresivamente, lo que podría causar lesiones o daños a la propiedad. Desconecte el suministro de corriente antes de reparar el motor.
- Paso 9. Si este procedimiento o los diagramas de cableado son difíciles de entender, consulte con un electricista certificado.

Cuadro de alambrado – Tamaños recomendados para el alambre y los fusibles para 115 y 230 voltios.

Modelo de Bomba	HP	Voltaje	Carga máxima amperios	Fusible en el ramal Capacidad en amperios*	Tamaño min. AWG del alambre (mm ²)	Distancias en metros (pies) del motor al punto de alimentación				
						0 - 100 (0 - 30)	101 - 200 (31 - 61)	201 - 300 (62 - 91)	301 - 400 (91 - 122)	401 - 500 (123 - 152)
						Tamaño AWG del alambre (mm ²)				
FP5162	1	115/230	14.8/7.4	20/15	12/14 (3/2)	8/14 (8.4/2)	6/14 (14/2)	6/12 (14/3)	4/10 (21/5.5)	
FP5172	1 - 1/2	115/230	19.9/9.9	20/15	10/14 (5.5/2)	8/14 (8.4/2)	6/12 (14/3)	4/10 (21/5.5)	4/10 (21/5.5)	
FP5182	2	115/230	24/12	20/15	10/14 (5.5/2)	10/14 (5.5/2)	6/14 (14/2)	6/12 (14/3)	4/10 (21/5.5)	

*Para todos los circuitos del motor se recomienda el uso de fusibles de doble elemento o del tipo Fustron con retardo de tiempo.

Cebado de la bomba

AVISO La operación de “cebado” se refiere a la operación en que la bomba expulsa todo el aire contenido en el sistema y comienza a desplazar agua de la fuente al sistema. No se refiere solamente al hecho de llenar la bomba de agua, aunque ésta sea normalmente la primera de todas las operaciones.

⚠ PRECAUCIÓN Riesgos de quemaduras. JAMÁS deje que la bomba funcione en seco. El hecho de hacer funcionar la bomba sin agua puede causar sobrecalentamiento, provocar daños en los retenes de sello y posiblemente causar quemaduras a la persona que maneja la bomba. Llene la bomba con agua antes de comenzar su operación.

Paso 1. Retire el tapón de cebado.

Paso 2. Asegúrese de que las válvulas de succión y descarga y toda manguera que se hubiera conectado al lado de la descarga de la bomba estén despejadas.

Paso 3. Llene la bomba y el tubo de succión con agua (figura 5).

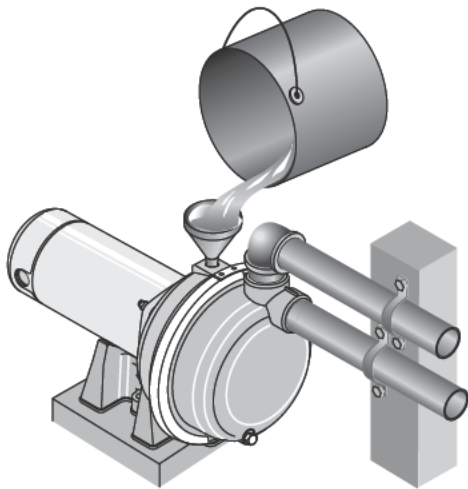


Figura 5 - Llene la bomba antes de comenzar

Paso 4. Para reponer el tapón de cebado utilice cinta de teflón en la rosca: ajuste bien el tapón.

AVISO Si la unión T de cebado y su tapón están conectados a un tramo de tubería horizontal largo, asegúrese de llenar el tubo de succión a través de la T y vuelva a colocar el tapón (use cinta de teflón en el tapón).

Paso 5. Ponga en marcha la bomba, ésta deberá producir agua en menos de 10 minutos, el tiempo depende de la altura que separa a la bomba del agua (que no debe ser mayor de 20 pies/6 m), y de la longitud del tramo horizontal (10 pies o 3 m) de tubo horizontal de succión que equivalen a 1 pie (30,5 cm) de ascenso vertical debido a las pérdidas de fricción producidas en el tubo. Si no sale agua dentro de los 10 minutos, detenga la bomba, reduzca toda la presión, saque el tapón de cebado, vuelva a llenar y pruebe nuevamente.

⚠ ADVERTENCIA Riesgo de explosión y quemaduras. JAMÁS haga funcionar la bomba con la descarga cerrada. Si así se hace, el agua en la bomba puede hervir y provocar presiones peligrosas dentro de la unidad, con riesgo de explosión y posibles quemaduras de las personas que manejan la bomba (fig. 6). Substituya el tapón de cebado con un manómetro para controlar la presión de modo que no se permita exceder el máximo de presión de bombeo según la tabla de rendimiento.

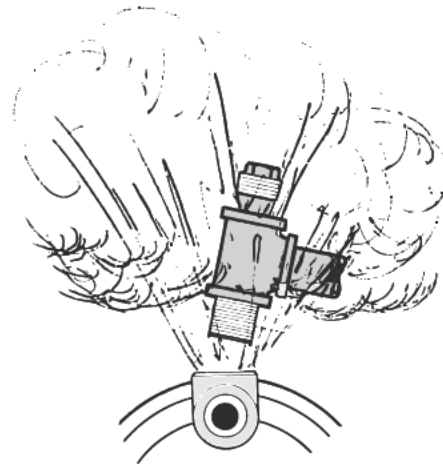


Figura 6 - No haga funcionar la bomba con la descarga cerrada

Para impedir explosiones asegúrese de que la válvula de descarga, el pico de la pistola del riego y otros medios de descarga estén abiertos cuando la bomba esté en funcionamiento.

Controlar el cuerpo de la misma y la temperatura de los tubos. Normalmente, el motor se calentará. No obstante, si el cuerpo de la bomba o el tubo empieza a sentirse tibio al tacto, cerrar la bomba y dejar que se enfríe el sistema. Dejar salir la presión y llenar la bomba y los tubos con agua fría.

⚠ ADVERTENCIA **Riesgo de choque eléctrico.** Puede provocar choque, quemadura o muerte. El voltaje del capacitor puede ser peligroso. Para descargar el capacitor use un destornillador de mango aislado. Teniendo el destornillador POR EL MANGO haga un cortocircuito a los terminales del capacitor. No toque la parte metálica del destornillador ni los terminales del capacitor. En caso de duda consulte a un electricista capacitado.

Síntoma	Causa probable	Medida correctiva
El motor no funciona	El interruptor de desconexión está abierto (OFF).	Asegúrese de que el interruptor esté conectado (ON).
	El fusible está quemado	Reemplace el fusible
	El interruptor de puesta en marcha está fallado	Reemplace el interruptor de puesta en marcha.
	Los alambres de conexiónal motor están flojos, desconectados o conectados incorrectamente	Consulte las instrucciones sobre conexiones de alambrado. Verifique y ajuste todas las conexiones.
El motor funciona en caliente y el interruptor de sobrecarga interrumpe la corriente o el motor no funciona y solamente hace ruido	El motor está conectado incorrectamente	Consulte las instrucciones sobre conexiones de alambrado.
	El voltaje es demasiado bajo	Examine la tensión suministrada al motor. Instale alambres de mayor diámetro si el diámetro de los conductores es muy reducido. (Vea Cuadro de Conexiones Eléctricas y Alambrado).
El motor funciona pero no sale agua. (*Nota: Verifique al cebado antes de comenzar a buscar otras causas. Destornille el tapón de cebado y compruebe que haya agua dentro del agujero).	*El motor de una nueva instalación no ha recibido suficiente agua de cebado:	En las nuevas instalaciones:
	1. Cebado inadecuado	1. Vuelva a cebar de acuerdo con las instrucciones.
	2. Pérdidas de aire	2. Verifique el estado de todas las conexiones y de la línea de succión.
	3. Hay una fuga en la válvula de pie	3. Reemplace la válvula de pie.
	4. El tamaño del tubo es demasiado pequeño	4. Cambie la tubería usando el tamaño de los orificios de aspiración y descarga en la bomba.
	* La bomba ha perdido el cebado debido a:	En instalaciones ya en uso:
	1. Fugas de aire	1. Verifique las conexiones en la línea de succión y el sello de la bomba con agua jabonosa.
	2. El nivel de agua se encuentra por debajo del nivel de succión de la bomba	2. Baje la tubería de succión a mayor profundidad en el agua y vuelva a cebar. Si el nivel de abatimiento en el pozo es superior a la capacidad de la bomba, se necesita una bomba para pozo profundo.
	El impulsor está tapado	Limpie el impulsor.
	Verifique el estado de la válvula, la válvula de pie puede estar enclavada en posición cerrada	Reemplace la válvula de retención o la válvula de pie.
	La tubería se ha congelado	Descongele la tubería. La tubería debe enterrarse por debajo del nivel de congelamiento.
La válvula de pie, el filtro o ambos están enterrados en arena o lodo	Instale calefacción en el pozo o en la casa de bombas.	
* La bomba no bombea agua a capacidad plena	El nivel de agua en el pozo es inferior al calculado	Podrá ser necesario instalar una bomba de chorro para pozo profundo (más de 20 pies/6,1 m de profundidad hasta el agua).
	La tubería de acero (en caso de que se usara) está corroída o tiene incrustaciones de calcio, lo que causa un exceso de presión.	Reemplace la tubería con tubería de plástico si fuera posible, en caso contrario utilice una tubería nueva de acero.
	El tamaño del tubo es demasiado pequeño	Cambie el tubo usando el tamaño de los orificios de aspiración y descarga en la bomba.
	La bomba no recibe suficiente agua	Aprete puntos filtrantes adicionales
Hay fugas en la bomba, alrededor de la abrazadera	Abrazadera floja	Detenga la bomba, ajuste la tuerca de fijación dándole entre 1 y 2 vueltas. Alternadamente, ajuste y golpetee la abrazadera con un mazo para asentar el aro tórico. No ajuste demasiado.

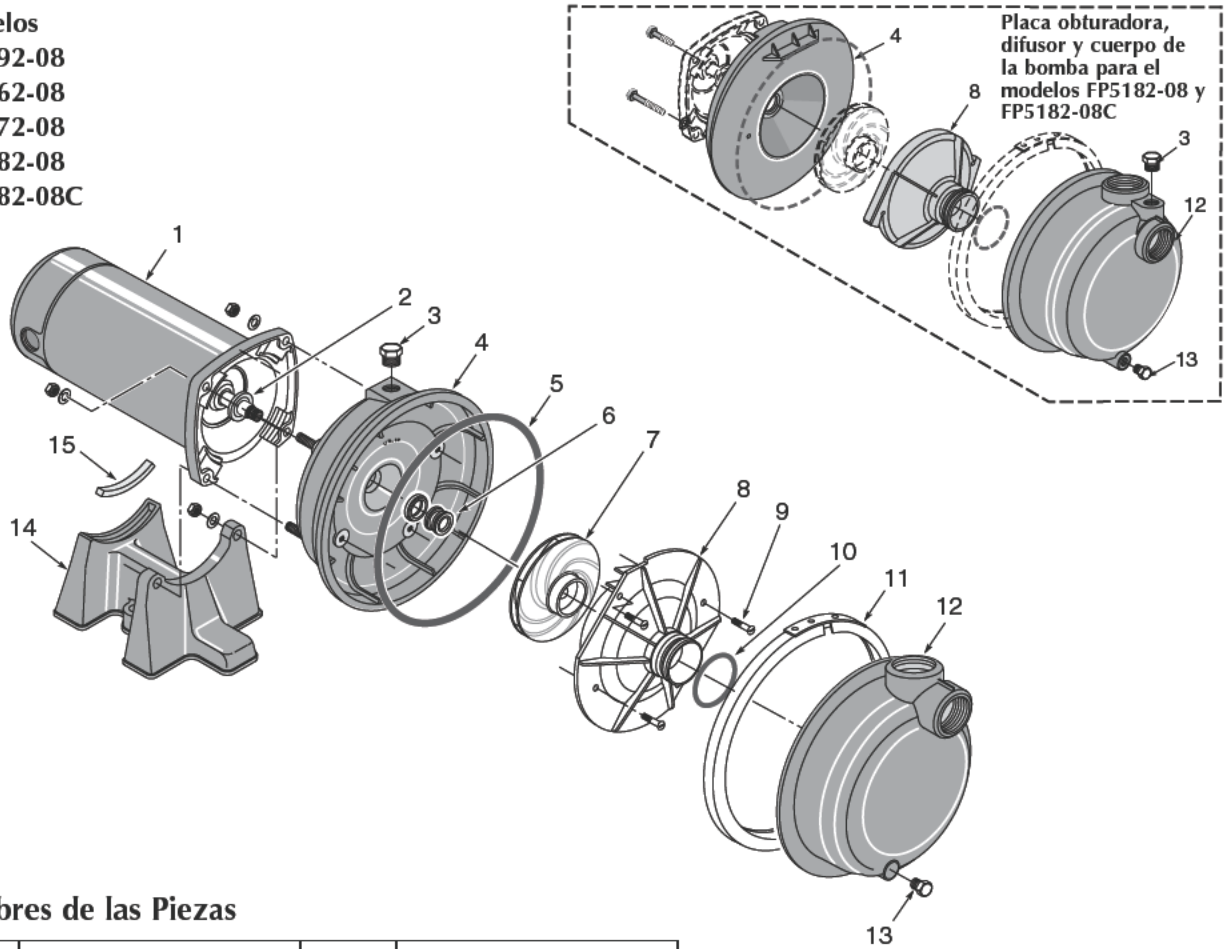
Cuadro de rendimiento en GPM(LPM)

Presión de descarga PSI (kPa)	FP5162 - 1HP				FP5172 - 1 - 1/2 HP				FP5182, FP5182C - 2HP			
	Altura de la bomba por encima del agua en pipes (metros)											
	5' (1.5)	10' (3)	15' (4.6)	20' (6.1)	5' (1.5)	10' (3)	15' (4.6)	20' (6.1)	5' (1.5)	10' (3)	15' (4.6)	20' (6.1)
10 (69)	55 (208)	49 (185)	48 (181)	45 (170)	67 (254)	61 (231)	56 (212)	46 (174)	69 (261)	64 (242)	65 (246)	62 (235)
15 (103)	51 (193)	46 (174)	45 (170)	44 (166)	66 (250)	58 (220)	55 (208)	45 (170)	65 (246)	62 (235)	60 (227)	57 (215)
20 (138)	45 (170)	42 (159)	39 (148)	37 (140)	61 (231)	56 (212)	54 (204)	44 (166)	59 (223)	56 (212)	54 (204)	52 (197)
25 (172)	38 (144)	35 (132)	32 (121)	29 (110)	55 (208)	52 (197)	51 (193)	43 (163)	52 (197)	50 (189)	48 (181)	46 (174)
30 (207)	31 (117)	28 (106)	24 (90)	20 (76)	48 (181)	45 (170)	44 (166)	37 (14)	47 (178)	45 (170)	42 (159)	40 (151)
35 (241)	23 (87)	19 (72)	16 (60)	11 (42)	39 (147)	37 (140)	34 (129)	28 (106)	42 (159)	38 (144)	35 (132)	32 (121)
40 (276)	17 (64)	13 (49)	8 (30)		33 (125)	27 (102)	20 (76)	11 (42)	34 (129)	30 (113)	27 (102)	23 (87)
45 (310)					18 (68)	14 (53)	8 (30)		25 (95)	18 (68)	13 (49)	10 (38)
50 (345)									14 (53)	7 (26)		

Todos los modelos a excepción del FP5182 y FP5182C tienen un tamaño de descarga y aspiración de 1-1/2" NPT. El FP5182 y FP5182C tienen 2" NPT de aspiración y descarga.

Para refacciones o asistencia, llame a Flotec Servicios al Cliente al: 800 365-6832.

Modelos
 FP5192-08
 FP5162-08
 FP5172-08
 FP5182-08
 FP5182-08C



Nombres de las Piezas

Ref	Descripción	Ref	Descripción
1	Motor	9	Tornillo #8-32 x 1"
2	Deflector	•	Arandela de seguridad*
3	Tapón de cebado	10	Junta tórica del difusor
4	Placa obturadora	11	Abrazadera
5	Junta tórica	12	Cuerpo de la bomba
6	Sello del Eje	13	Tapón de Drenaje
7	Impulsor	14	Base
8	Difusor	15	Amortiguador del motor

*Modelos FP5182-08 y FP5182-08C solamente.

Las piezas en **negrita** están incluidas en el Juego de Juntas y en el Juego de Reparación.

Las piezas en **negrita** y en *caracteres itálicos* están incluidas en el Juego de Reparación solamente.

Ref	Descripción	FP5162-08 1HP	FP5172-08 1 - 1/2 HP	FP5182-08 2 HP
1	Motor	J218-596PKG	J218-601PKG	J2180883APKG
4	Placa Obturadora - Completa	L176-47P1	L176-47P1	C103-189P
11	Abrazadera	C19-54SS	C19-54SS	C19-37A
12	Mitad Delantera del Cuerpo de la Bomba	C176-53P	C176-53P	C176-62P
14	Base	C4-42P	C4-42P	C4-42P
•	El Juego de Juntas incluye la ref. 2, 5, 6, 9, y 10. Ver nombres de las piezas arriba.	FPPP5000	FPPP5000	FPPP5000
•	El Juego de Reparación incluye todo lo incluido en el Juego de Juntas además de Ref. 7, Impulsor y 8, Difusor . Ver nombres de las piezas arriba.	FPP5001	FPP5002	FPP2008

Para refacciones o asistencia, llame a Flotec Servicios al Cliente al: **800 365-6832.**

Retener el recibo original a fin de determinar la elegibilidad para la garantía

Garantía limitada

Esta Garantía Limitada entra en vigor el 1 de junio de 2011 y sustituye toda garantía sin fecha o garantía con fecha anterior al 1 de junio de 2011. FLOTEC le garantiza al comprador consumidor original (el "Comprador" o "Usted") de sus productos, que éstos estarán libres de defectos en materiales y en mano de obra por un período de doce (12) meses, a partir de la fecha de la compra original del consumidor. Si dentro de los doce (12) meses a partir de la fecha de la compra inicial del consumidor, Será reparado o reemplazado a opción de la FLOTEC, sujeto a los términos y condiciones establecidos en la presente. Tome nota de que esta garantía limitada cubre defectos de manufactura solamente y no el desgaste común. Todos los aparatos mecánicos periódicamente necesitan repuestos y servicio para un funcionamiento correcto. Esta garantía limitada no cubre las reparaciones que se realicen cuando el uso normal haya agotado la vida útil de una pieza o del aparato.

Es necesario retener el recibo de compra original y la etiqueta de información de la garantía a fin de determinar la elegibilidad para la garantía. La elegibilidad se basa en la fecha de compra del producto original - no en la fecha del reemplazo bajo la garantía. La garantía es limitada y cubre solamente la reparación o el reemplazo del producto original adquirido, no del producto reemplazado (es decir que se permite un reemplazo por compra bajo la garantía). El comprador pagará todos los costos de remoción, instalación, mano de obra y envío necesarios, así como todo costo adicional asociado.

Si necesita piezas o resolución de problemas, NO regrese el producto a la tienda minorista. Llame el Servicio a la Clientela de FLOTEC al 800-365-6832.

Las reclamaciones hechas bajo esta garantía se realizarán mediante la devolución del producto (a excepción de las bombas cloacales - ver a continuación) al concesionario de venta al público en donde se haya adquirido o a la fábrica, inmediatamente después de haber descubierto cualquier presunto defecto. FLOTEC entonces tomará la medida correctiva tan pronto como sea razonablemente posible. No se aceptarán solicitudes de servicio, si se reciben más de 30 días después del vencimiento de esta garantía.

La garantía no es transferible y no cubre productos utilizados en aplicaciones comerciales o de alquiler.

Bombas cloacales

NO devuelva una bomba cloacal (que se haya instalado) a su tienda minorista. Comuníquese con el Departamento de Atención al Cliente de FLOTEC. Las bombas cloacales que hayan estado en servicio y se hayan removido pueden representar un peligro de contaminación.

Si su bomba cloacal ha fallado:

- Use guantes de caucho cuando manipule la bomba;
- Para los fines de la garantía, devuelva la etiqueta del cordón de la bomba y el recibo de compra original a la tienda minorista;
- Descarte la bomba cumpliendo con todas las normas locales que correspondan para su eliminación.

Excepciones para la Garantía limitada de Doce (12) Meses

Producto	Período de garantía
FP0F360AC, FP0FDC	90 días
FP0S1775A, FP0S1790PCA, FP0S2400A, FP0S2450A, FP0S4100X, FP2800DCC, FPCP-20ULST, FPPSS3000, FPSC2150A, FPSC3150A, FPSC3350A	2 años
Bombas de pozo sumergibles de 4", FP0S3200A, FP0S3250A, FP0S6000A, FPSC1725X, FPSC2200A, FPSC2250A, FPSE3601A, FPPSS5000	3 años
Tanque precargado del sistema de agua (Serie FP7100), E100ELT, E3305TLT, E3375TLT, E5005TLTT, E50TLT, E50VLT, E75STVT, E75VLT, FPSC3200A, FPSC3250A, FPSC4550A	5 años

Términos y condiciones generales; Limitación de recursos

Usted deberá pagar por todos los gastos de mano de obra y de envío necesarios para reemplazar el producto cubierto por esta garantía. Esta garantía no se aplicará en las siguientes situaciones: (1) caso de fuerza mayor (2) productos que, a sólo juicio de FLOTEC hayan sido sometidos a negligencia, abuso, accidente, mala aplicación, manejo indebido o alteraciones; (3) fallas debido a instalación, operación, mantenimiento o almacenamiento inadecuados; (4) aplicaciones, usos o servicios que no sean normales o aprobados; (5) fallas provocadas por corrosión, herrumbre u otros materiales extraños en el sistema, o una operación a presiones que excedan los máximos recomendados.

Esta garantía establece la única obligación de FLOTEC y el recurso exclusivo del Comprador con respecto a los productos defectuosos. FLOTEC NO SE HARÁ RESPONSABLE DE NINGÚN DAÑO CONSECUENTE, INCIDENTAL O CONTINGENTE.

LAS GARANTÍAS LIMITADAS QUE ANTECEDEN SON EXCLUSIVAS Y EN LUGAR DE TODA OTRA GARANTÍA EXPLÍCITA E IMPLÍCITA, INCLUYENDO, PERO SIN LIMITARSE A LAS GARANTÍAS IMPLÍCITAS DE COMERCIALIZACIÓN E IDONEIDAD PARA UN FIN ESPECÍFICO. LAS GARANTÍAS LIMITADAS QUE ANTECEDEN NO SE EXTENDERÁN MÁS ALLÁ DEL PERÍODO DE DURACIÓN INDICADO EN LA PRESENTE.

Algunos Estados no permiten la exclusión o limitación de daños incidentales o consecuentes o de limitaciones de tiempo sobre garantías implícitas, de modo que es posible que las limitaciones o exclusiones que preceden no correspondan en su caso. Esta garantía le otorga derechos legales específicos y es posible que Usted también tenga otros derechos que pueden variar de un Estado al otro.

FLOTEC • 293 Wright Street • Delavan, WI 53115 USA
Teléfono: 800-365-6832 • Fax: 800-526-3757 • www.flotecwater.com

