

## SAFETY INFORMATION

Carefully read and follow all safety instructions in this manual and on pump.

**⚠ This is the safety alert symbol.** When you see this symbol on your pump or in this manual, look for one of the following signal words and be alert to the potential for personal injury!

**⚠ DANGER** warns about hazards that **will** cause serious personal injury, death or major property damage if ignored.

**⚠ WARNING** warns about hazards that **can** cause serious personal injury, death or major property damage if ignored.

**⚠ CAUTION** warns about hazards that **will** or **can** cause minor personal injury or property damage if ignored.

The word **NOTICE** indicates special instructions which are important but not related to hazards.

1. **Read these rules and instructions carefully.** Failure to follow them could cause serious bodily injury and/or property damage.
2. Check your local codes before installing. You must comply with their rules.

**⚠ WARNING Hazardous voltage. Can shock, burn or kill.** During operation the pump is in water. To avoid fatal shocks, proceed as follows if pump needs servicing:

3. Disconnect power to outlet box before unplugging pump.
4. Unplug the pump before handling or servicing.
5. Take extreme care when changing fuses. Do not stand in water or put your finger in the fuse socket.
6. Do not modify the cord and plug. When using the cord and plug, plug into a grounded outlet only. When wiring to a system control, connect the pump ground lead to the system ground.
7. Do not run the pump dry. Dry running can overheat the pump (causing burns to anyone handling it), and will void the warranty.
8. The pump normally runs hot. To avoid burns when servicing pump, allow it to cool for 20 minutes after shut-down before handling it.
9. The pump is permanently lubricated. No oiling or greasing is required in normal operation.
10. Do not install the basin and pump in any location classified as hazardous by the United States National Electrical Code (NEC), or by the Canadian Electrical Code (CEC), where applicable.

## PUMP SPECIFICATIONS

Power Supply Required..... 115V, 60 Hz  
Individual Branch Circuit Required ..... 15 Amps  
Maximum Liquid Temperature ..... 120°F (50°C)  
Discharge Adapter..... 1-1/2" NPT

## DESCRIPTION

The Simer Sump Pump System, is ideal for basement and cellar installations. It includes a submersible sump pump and a corrosion-resistant sump basin and lid. The pump features a flush-mount system for maximum discharge of the basin. All components of the sump pump system are pre-assembled at the factory for easy installation.

This submersible pump is designed for sump drainage, dewatering and flood control. The pump has built-in thermal overload protection and an automatic reset. The mechanical seal and sleeve bearings on the motor shaft are permanently lubricated.

This system is designed for residential use only. The supplied hardware kit includes a rubber inlet hub and a cord grommet. No special tools or sealants are required.

**NOTICE:** This system is not designed for applications involving salt water or brine! Use with salt water or brine will void warranty.

## PERFORMANCE

GPH (LPH) AT TOTAL FEET (METERS) OF LIFT					No flow at height shown below
Model	5 (1.5 m)	10 (3 m)	15 (4.6 m)	20 (6.1 m)	
3985C	2,220 (8,404)	1,800 (6,814)	1,260 (4,770)	300 (1,136)	23 ft (7.0 m)

\*For performance at maximum temperature see Catalog.

# INSTALLATION

## Piping

Piping must not be smaller than pump discharge.

## Electrical

**⚠ WARNING** Hazardous voltage. Can shock, burn, or kill.

When installing, operating, or servicing this pump, follow the safety instructions listed below.

Do not lift pump by the power cord.

1. **DO NOT** splice the electrical power cord.
2. **DO NOT** allow the electrical cord plug to be submerged.
3. **DO NOT** use extension cords. They are a fire hazard and can reduce voltage to prevent pumping and/or damage motor.
4. **DO NOT** handle or service the pump while it is connected to the power supply.
5. **DO NOT** remove the grounding prong from the plug or modify the plug. To protect against electrical shock, the power cord is a three-wire conductor and includes a 3-prong grounded plug. Plug the pump into a 3-wire, grounded, grounding-type receptacle. Connect the pump according to the NEC or CEC and local codes.

The pump is plugged into a vertical switch for automatic operation. The pump will run continuously when plugged directly into an electrical outlet.

Connect or wire pump to its own individual branch circuit with no other outlets or equipment in the circuit. Size fuses or circuit breakers according to the "Pump, Motor, Switch and Cord Specifications" chart.

**⚠ WARNING** Risk of electrical shock and fire. Be sure that power supply information (Voltage/Hertz/Phase) in this manual matches incoming power supply exactly. Install pump according to all electrical codes that apply.


**NOTICE:** Proper ventilation is needed to prevent negative basin pressure and to provide air within the basin.

The basin should be located at the lowest place in the basement or area to be drained. Floor drains from other areas in the basement may be tiled into the basin. Drain tile around a house foundation may also be tiled into the basin, effectively removing water and relieving pressure from this area.

Basin covers are used to exclude refuse from the basin.

## PUMP, MOTOR, SWITCH, & CORD SPECIFICATIONS

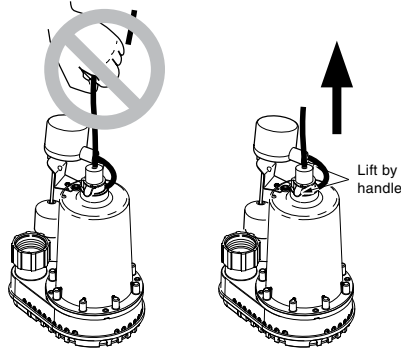
Motor HP	Motor Full Load Amps	Individual Branch Circuit Required (Amps)	Cord Length in ft. (mm)	Switch Setting in inches (mm)		Discharge Adapter Size
				On	Off	
1/2	9.5	15	8 (203)	8 (203)	4 (102)	1-1/2"



**⚠ WARNING**

Risk of electrical shock.  
Can burn or kill.  
Do not lift pump by power cord.

### CORD LIFT WARNING



Lift by handle

1. Attempting to lift or support pump by power cord can damage cord and cord connections.
2. Cord may pull apart, exposing bare wires with possibility of fire or electrical shock.
3. Lifting or supporting pump by power cord will void warranty.
4. Use handles on top of pump for all lifting/ lowering of pump. Disconnect power to pump before doing any work on pump or attempting to remove pump from sump.

## Installation Instructions.

1. Dig the hole for the basin and the sub-base. The hole must be deep enough so the top of the basin is flush with the finished floor.

**NOTICE:** The sub-base should include 4" of sand or gravel. The maximum diameter of rock should be 1/2"; 3/4" maximum diameter pea gravel is recommended.

2. Level the sub-base out until it is smooth. Sharp rock can damage the basin.
3. Reach into the inlet hole to retrieve the hardware kit. Locate the cord grommet in the hardware kit.
4. Reach into the inlet hole again to pull the power cords up through the cord grommet hole in the cover. Press the cords into the cord grommet and install the grommet in the cover.
5. Locate the inlet hub in the hardware kit, and snap it into the inlet hole.
6. Install the basin on top of the sub-base.
7. Insert a 4" inlet pipe through the inlet hub. Insert it 2" into the basin. Dish soap can be used to lubricate the inlet hub. If necessary, file the sharp edges of the pipe to prevent damage to the hub.

**NOTICE:** The inlet pipe should pitch down to the basin inlet at 1/4" per foot. This will cause the water to run into the basin.

8. Backfill around the basin with crushed rock, with a maximum diameter of 1/2", or use pea gravel.
9. Install a 1-1/2" discharge pipe into the 1-1/2" discharge flange.
10. Install a 2" vent pipe into the vent flange. The vent pipe must go through the roof of the building or it can be connected to an existing vent pipe. The sump basin must be vented.

**NOTICE:** Proper ventilation is needed to prevent negative basin pressure and to provide air within the basin.

11. Install a 1-1/2" check valve in the discharge pipe. Make certain the flow indicating arrow points away from the pump. This check valve will keep the water from running back into the basin when the pump is not running.

Purchase check valve and inlet, vent and discharge pipes locally.

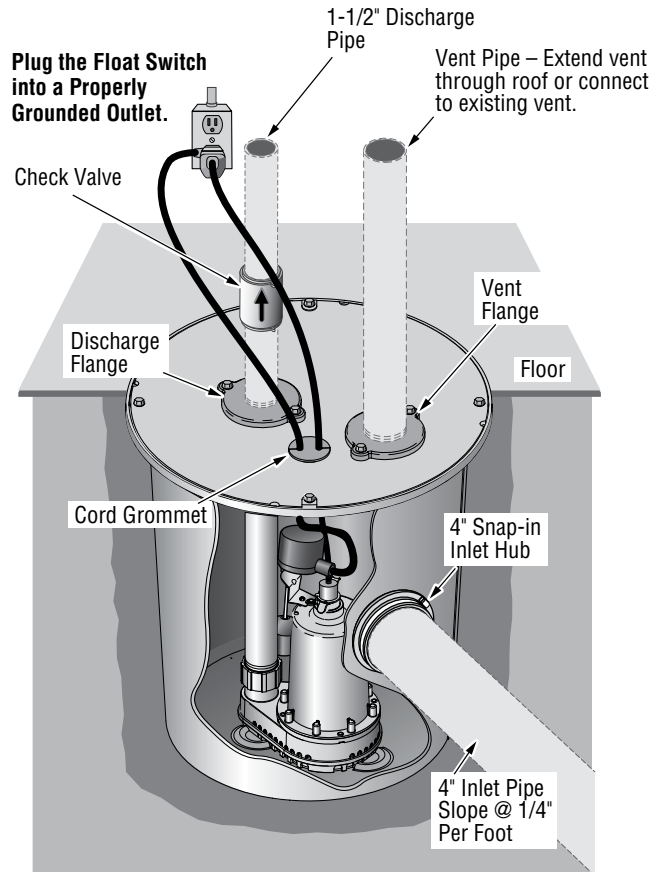


Figure 1 – Typical Installation

**NOTICE:** To prevent pump contamination, clear basin of any debris during or after installation.

12. Plug the pump into a properly grounded outlet.
13. Check the operation by filling the basin with water and observing pump operation through one complete cycle. Make sure no parts of the assembly interfere with the float.

## OPERATION

**⚠ WARNING** Failure to make this operational check may lead to improper operation, premature failure, and flooding.

**NOTICE:** The shaft seal depends on water for lubrication and cooling. Do not operate the pump unless it is submerged in water as the seal may be damaged if allowed to run dry. Allowing the pump to run dry will void the warranty.

An automatic overload protector in the motor will protect the motor from burning out due to overheating/overloading. When the motor cools down, the overload protector will automatically reset and start the motor.

If the overload trips frequently, check for the cause. It could be a stuck impeller, wrong/low voltage, or an electrical failure in the motor. If an electrical failure in the motor is suspected, have it serviced by a competent repairman.

The pump is permanently lubricated. No oiling or greasing is required.

**NOTICE:** The pump will not remove all water. For extended operation, water depth must be at least 5" (13 cm) to prevent motor overheating.

## Airlocks

When a pump airlocks, it runs but does not move any water. An airlock will cause the pump to overheat and fail. The discharge pipe is plumbed with a predrilled anti-airlock hole. Leakage from the anti-airlock hole is normal during pump operation.

## Float Switch – Operational Check

1. Fill the sump with the correct amount of water to check the operation and tightness of the connections. During the first automatic cycle, it may take 30 seconds or more before the pump is primed and pumping. The pump will start as indicated in the "Pump, Motor, Switch and Cord Specifications" table on Page 2.
2. Check the turn-off position. The pump will stop approximately as indicated in the "Pump, Motor, Switch and Cord Specifications".
3. If the pump does not operate, check the electrical service.

For parts or assistance, call Simer Customer Service at 1-800-468-7867 / 1-800-546-7867

# MAINTENANCE

**⚠ WARNING** **Hazardous voltage. Can shock, burn, or kill.** Before removing the pump from the basin for service, always disconnect electrical power to the pump and the control switch. Do not lift the pump by the power cord.

**NOTICE:** To prevent pump contamination, clear basin of any debris during or after installation.

**NOTICE:** The pump should only be serviced by trained personnel. There are no consumer serviceable parts inside the pump.

Disconnect the discharge and vent pipes from the unit, remove the four basin cover bolts, and then lift the pump out of the basin using the pump handles.

DO NOT attempt to open the pump further than removing the suction housing.

The pump motor housing contains a special lubricating oil which should be kept clean and free of water at all times.

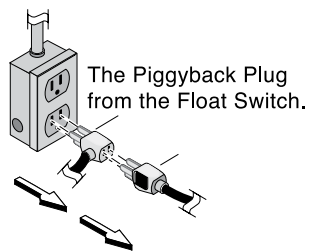
The sump basin and cover, pump, and piping should be protected from freezing temperatures. If there is any danger of freezing temperatures, the unit should be drained.

# TO CLEAN THE IMPELLER

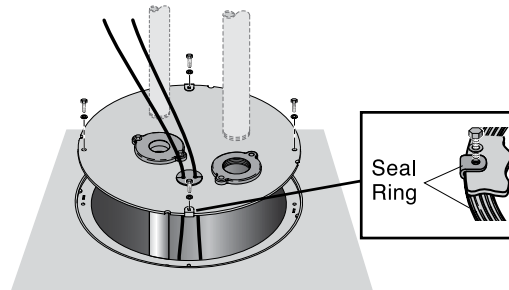
Follow the steps shown below. To reassemble pump, reverse the sequence.

**⚠ WARNING** **Risk of electrical shock. Can burn or cause death.** Before removing the pump from the sump for service, always disconnect the electrical power source to the pump. Do not raise, lower or carry the pump by the power cord. Use the handles provided on the pump.

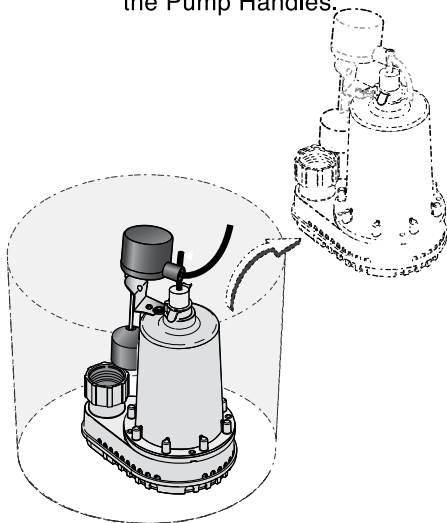
1. Unplug the Pump.



2. Disconnect the discharge and vent pipes, and remove basin cover. Be sure you do not damage the seal ring.



3. Lift the Pump out of the Sump Pit by the Pump Handles.



4. Remove the Screws that hold the Suction Housing to the Pump Assembly and clean out the Impeller.

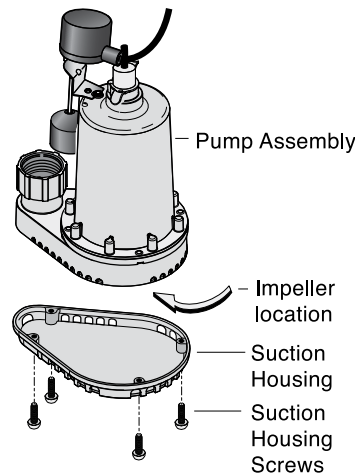
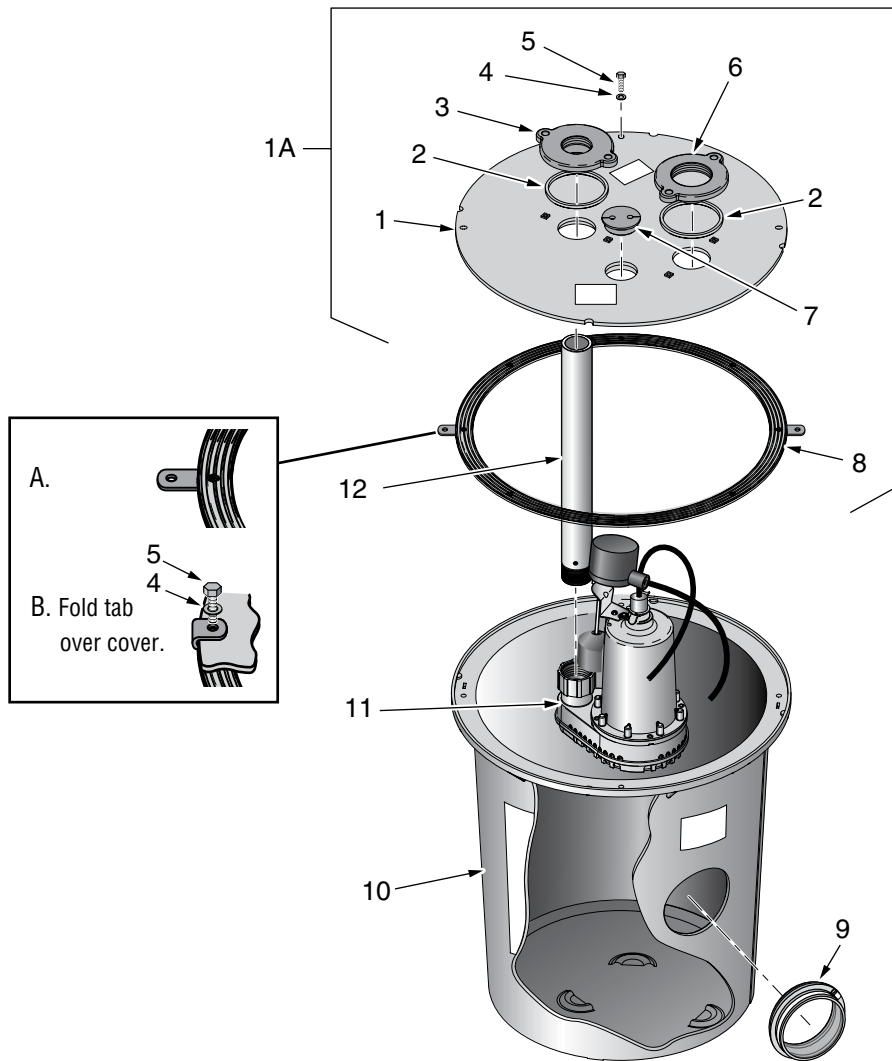


Figure 2 – Impeller Cleaning



### REPAIR PARTS – PRE-PLUMBED SYSTEMS

Key No.	Part Description	Qty.	3985C
1A	Basin Cover Assembly (Includes Nos. 1-8)	1	PW73-65P
1	Basin Cover	1	-
2	Square Cut O-Ring	2	-
3	Vent Flange, 2"	1	-
4	Flat Washer	8	-
5	Basin Bolt	8	-
6	Discharge Flange, 1-1/2"	1	-
7	Cord Grommet*	1	-
8	Seal Ring	1	PW73-71
9	Inlet Hub, Snap-In*	1	-
10	Sump Basin	1	-
11	Sump Pump	1	2975-REP
12	Discharge Pipe	1	U37-690P

\* Included in hardware package.

For parts or assistance, call Simer Customer Service at 1-800-468-7867 / 1-800-546-7867

# TROUBLES-REMEDIES

**⚠ WARNING** Sudden Starts. If the power is on to the pump when thermal overload resets, the pump may start without warning. If you are working on the pump, you may get an electrical shock or the impeller may catch fingers or tools. Disconnect the power before servicing the pump.

<b>Pump fails to operate:</b>	Check to be sure that power cord is securely plugged into outlet or securely wired into controller or switch box. Disconnect power to outlet before handling pump or motor.
	Check to be sure you have electrical power.
	Check that water level in basin is high enough to activate switch or controller.
	Check to be sure that the anti-airlock hole in the pump discharge is not plugged.
	Check for blockage in pump inlet, impeller, check valve or discharge pipe.
	Check if the float switch is caught on something.
<b>Pump fails to empty sump:</b>	Be sure any valves in discharge pipe are fully open.
	Clean out discharge pipe and check valve.
	Check for blockage in pump inlet or impeller.
	Pump not sized properly. A higher capacity pump may be required.
<b>Pump will not shut off:</b>	Check switch for proper operation.
	If pump is completely inoperative or continues to malfunction, consult a qualified service person.

## Retain Original Receipt for Warranty Eligibility

### Limited Warranty

This Limited Warranty is effective June 1, 2011 and replaces all undated warranties and warranties dated before June 1, 2011. SIMER warrants to the original consumer purchaser ("Purchaser" or "You") that its products are free from defects in material and workmanship for a period of twelve (12) months from the date of the original consumer purchase. If, within twelve (12) months from the original consumer purchase, any such product shall prove to be defective, it shall be repaired or replaced at SIMER's option, subject to the terms and conditions set forth herein. Note that this limited warranty applies to manufacturing defects only and not to ordinary wear and tear. All mechanical devices need periodic parts and service to perform well. This limited warranty does not cover repair when normal use has exhausted the life of a part or the equipment.

The original purchase receipt and product warranty information label are required to determine warranty eligibility. Eligibility is based on purchase date of original product – not the date of replacement under warranty. The warranty is limited to repair or replacement of original purchased product only, not replacement product (i.e. one warranty replacement allowed per purchase). Purchaser pays all removal, installation, labor, shipping, and incidental charges.

For parts or troubleshooting assistance, DO NOT return product to your retail store. Contact SIMER Customer Service at 800-468-7867.

Claims made under this warranty shall be made by returning the product (except sewage pumps, see below) to the retail outlet where it was purchased or to the factory immediately after the discovery of any alleged defect. SIMER will subsequently take corrective action as promptly as reasonably possible. No requests for service will be accepted if received more than 30 days after the warranty expires. Warranty is not transferable and does not apply to products used in commercial/rental applications.

### Sewage Pumps

DO NOT return a sewage pump (that has been installed) to your retail store. Contact SIMER Customer Service. Sewage pumps that have seen service and been removed carry a contamination hazard with them.

If your sewage pump has failed:

- Wear rubber gloves when handling the pump;
- For warranty purposes, return the pump's cord tag and original receipt of purchase to the retail store;
- Dispose of the pump according to local disposal ordinances.

### Exceptions to the Twelve (12) Month Limited Warranty

Product	Warranty Period
BW85P, M40P	90 days
2115, 2300, 2310, 2330, 2943, 2955, 2956, 2957, A5500	2 Years
4" Submersible Well Pumps, 2945, 2958, 2975PC, 3075SS, 3963, 3984, 3995	3 Years
Pre-Charged Pressure Tanks, 3985, 3986, 3988, 3989, 5910, 5950, 5955, 5965, 5975	5 Years

### General Terms and Conditions; Limitation of Remedies

You must pay all labor and shipping charges necessary to replace product covered by this warranty. This warranty does not apply to the following: (1) acts of God; (2) products which, in SIMER's sole judgement, have been subject to negligence, abuse, accident, misapplication, tampering, or alteration; (3) failures due to improper installation, operation, maintenance or storage; (4) atypical or unapproved application, use or service; (5) failures caused by corrosion, rust or other foreign materials in the system, or operation at pressures in excess of recommended maximums.

This warranty sets forth SIMER's sole obligation and purchaser's exclusive remedy for defective products.

SIMER SHALL NOT BE LIABLE FOR ANY CONSEQUENTIAL, INCIDENTAL, OR CONTINGENT DAMAGES WHATSOEVER.

THE FOREGOING WARRANTIES ARE EXCLUSIVE AND IN LIEU OF ALL OTHER EXPRESS AND IMPLIED WARRANTIES, INCLUDING BUT NOT LIMITED TO THE IMPLIED WARRANTIES OF MERCHANTABILITY AND FITNESS FOR A PARTICULAR PURPOSE. THE FOREGOING WARRANTIES SHALL NOT EXTEND BEYOND THE DURATION PROVIDED HEREIN.

Some states do not allow the exclusion or limitation of incidental or consequential damages or limitations on how long an implied warranty lasts, so the above limitations or exclusions may not apply to You. This warranty gives You specific legal rights and You may also have other rights which vary from state to state.

**SIMER • 293 Wright Street • Delavan, WI U.S.A. 53115**  
**Phone: 800-468-7867 • Fax: 800-390-5351 • www.simerpump.com**

For parts or assistance, call Simer Customer Service at 1-800-468-7867 / 1-800-546-7867

For parts or assistance, call Simer Customer Service at 1-800-468-7867 / 1-800-546-7867



## RENSEIGNEMENTS GÉNÉRAUX CONCERNANT LA SÉCURITÉ

**Lire attentivement et suivre exactement toutes les consignes de sécurité figurant dans cette Notice ou sur la pompe.**

**⚠** Ce symbole indique qu'il faut être prudent. Lorsque ce symbole apparaît sur la pompe ou dans cette Notice, rechercher une des mises en garde qui suivent, car elles indiquent un potentiel de blessures corporelles!

**⚠ DANGER** Avertit d'un danger **qui causera** des blessures corporelles, la mort ou des dommages matériels importants si on l'ignore.

**⚠ AVERTISSEMENT** Avertit d'un danger **qui risque** de causer des blessures corporelles, la mort ou des dommages matériels importants si on l'ignore.

**⚠ ATTENTION** Avertit d'un danger **qui causera** ou **qui risquera** de causer des blessures corporelles, la mort ou des dommages matériels importants si on l'ignore.

**REMARQUE** : Indique des instructions spéciales et importantes n'ayant aucun rapport avec les dangers.

1. Lire attentivement toutes les instructions et consignes de sécurité. Si on ne respecte pas ces recommandations, on risque de subir de graves blessures corporelles et de causer des dommages matériels.
2. Avant de procéder à l'installation, consulter les codes de la municipalité. Il est impératif de s'y conformer.

**⚠ AVERTISSEMENT** **Tension dangereuse. Risque de secousses, de brûlures, voire de mort.** Pendant son fonctionnement, la pompe est immergée dans l'eau. Si la pompe doit être réparée, et pour éviter toute électrocution mortelle, procéder comme il est indiqué ci-dessous :

3. Avant de débrancher la pompe, couper le courant qui l'alimente.
4. Débrancher la pompe avant de la manipuler ou de l'entretenir.
5. Il faut être extrêmement prudent lorsque l'on remplace un fusible. Ne pas se tenir dans l'eau et ne pas mettre les doigts dans la douille d'un fusible.
6. Ne jamais modifier le cordon électrique de la pompe ni sa fiche. Si on utilise le cordon électrique et sa fiche, ne brancher la fiche du cordon électrique que dans une prise de courant mise à la terre. Si on câble le système sur une boîte de commande, brancher le fil de mise à la terre de la pompe sur la mise à la terre de la boîte de commande du système.
7. Ne pas faire fonctionner la pompe à sec, car elle risque de surchauffer (et de causer des blessures à la personne qui la manipulerait); de plus, cette pratique annule la garantie.
8. Normalement, la pompe est extrêmement chaude lorsqu'elle fonctionne. Pour ne pas se brûler si on doit intervenir sur la pompe, la laisser refroidir pendant au moins 20 minutes après l'avoir arrêtée.
9. La pompe est lubrifiée en permanence. En fonctionnement normal, il n'est pas nécessaire de la huiler ni de la graisser.
10. Ne pas installer l'ensemble collecteur et pompe dans un endroit classé comme dangereux par le United States National Electrical Code (NEC) ou par le Code canadien de l'électricité (CCE), selon le cas.

## CARACTÉRISTIQUES DE LA POMPE

Courant requis ..... 115 volts  
Circuit de dérivation individuel requis ..... 15 ampères  
Température maximale du liquide ..... 55 °C (120 °F)  
Adaptateur de refoulement ..... 1 1/2 pouce NPT

## DESCRIPTION

Le système de pompage de puisard Simer, modèle 3985C, est idéal pour les installations en sous-sol et les caves. Ce système se compose d'une pompe de puisard submersible, d'un collecteur et d'un couvercle résistant à la corrosion. La pompe se caractérise par un système encastré pour un refoulement maximal du collecteur. Tous les composants du système ont été assemblés à l'usine pour faciliter l'installation.

La pompe submersible est conçue pour pomper l'eau de drainage d'un puisard, d'inondations et pour l'assèchement. Une protection contre les surcharges thermiques à réarmement automatique est incorporée à la pompe. Le joint mécanique et tous les paliers lisses de l'arbre du moteur sont lubrifiés en permanence.

Ce système ne doit être utilisé que dans une habitation. La trousse des fixations fournie comprend une bague d'étanchéité en caoutchouc pour l'arrivée de l'eau et une bague d'étanchéité pour les cordons électriques. Aucun outil ni matériau d'étanchéité ne sont requis.

**REMARQUE** : Ce système n'est pas conçu pour pomper de l'eau salée ni de la saumure. La garantie de ce système sera annulée si on l'utilise pour pomper de l'eau salée ou de la saumure.

## RENDEMENTS

Modèle	GAL/MIN (L/MIN) À LA HAUTEUR TOTALE DE REFOULEMENT EN PIEDS (MÈTRES)				Aucun débit à la hauteur indiquée ci-dessous.
	5 (1,5 m)	10 (3 m)	15 (4,6 m)	20 (6,1 m)	
3985C	2 220 (8 404)	1 800 (6 814)	1 260 (4 770)	300 (1 136)	23 pieds (7,0 m)

\*Pour connaître les rendements à la température maximale, se reporter au catalogue.

# INSTALLATION

## Tuyauterie

Le diamètre de la tuyauterie ne doit pas être plus petit que celui du refoulement de la pompe.

## Électricité

**▲ AVERTISSEMENT** Tension dangereuse. Risque de secousses électriques, de brûlures, voire de mort. Pendant l'installation, le fonctionnement ou l'entretien de cette pompe, respecter les consignes de sécurité suivantes.

Ne pas lever la pompe par son cordon électrique. Voir "Avertissement concernant le levage par le cordon électrique" à la page 11.

1. **NE PAS** épisser les cordons électriques.
2. **NE PAS** permettre aux cordons électriques d'être immergés.
3. **NE PAS** utiliser de cordons prolongateurs. Ces derniers présentent un danger d'incendie et risquent de réduire considérablement la tension au point où ils peuvent empêcher la pompe de fonctionner et le moteur risque d'être endommagé.
4. **NE PAS** manipuler la pompe et ne pas intervenir sur la pompe pendant qu'elle est branchée sur le courant électrique.
5. **NE PAS** couper la broche de mise à la terre de la fiche des cordons électriques ni modifier cette fiche. Pour protéger contre les secousses électriques, les cordons électriques sont à trois conducteurs et munis d'une fiche à 3 broches, dont une de mise à la terre. Brancher le cordon électrique de la pompe dans une prise de courant à 3 trous adéquatement mise à terre. Brancher la pompe conformément au NEC ou au CEC, selon le cas, et aux codes de la municipalité en vigueur.

Pour le fonctionnement en automatique, cette pompe est branchée sur un interrupteur à flotteur. Elle fonctionnera en permanence si elle est directement branchée dans une prise de courant électrique.

Brancher ou câbler la pompe directement sur un circuit électrique sur lequel aucune autre prise de courant et aucun autre équipement ne seront branchés. Protéger le circuit de la pompe par un fusible ou un disjoncteur de calibre approprié conformément au tableau « Caractéristiques de la pompe, du moteur, de l'interrupteur et des cordons électriques ».

**▲ AVERTISSEMENT** Risque de secousses électriques et d'incendies. S'assurer que les renseignements indiqués dans cette Notice concernant l'alimentation électrique (tension/hertz/phase) correspondent exactement au courant alimentant la pompe. Installer la pompe conformément aux codes de l'électricité en vigueur.

**REMARQUE** : Une ventilation adéquate est requise pour empêcher l'accumulation de pressions négatives dans le collecteur et assurer une arrivée d'air suffisante dans le collecteur.


Le collecteur doit être installé dans l'endroit le plus bas du sous-sol ou de la zone à drainer. Les drains de plancher des autres parties du sous-sol peuvent être raccordés au collecteur. Les drains des fondations d'une habitation peuvent également être raccordés au collecteur pour une évacuation plus efficace de l'eau et dissiper la pression dans cette partie de l'habitation.

Le couvercle empêche les débris de tomber dans le collecteur.

## CARACTÉRISTIQUES DU MOTEUR, DE L'INTERRUPTEUR ET DES CORDONS ÉLECTRIQUES

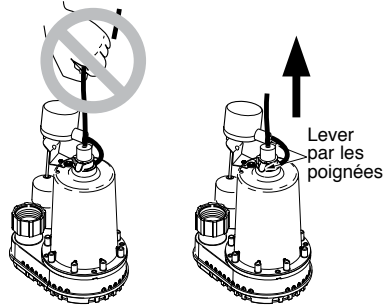
Puissance du moteur en ch	Ampères à pleine intensité du moteur	Circuit de dérivation individuel requis (en ampères)	Longueur des cordons électriques en pieds (mm)	Réglages de l'interrupteur en pouces (mm)		Diamètre de l'adaptateur de refoulement
				Marche	Arrêt	
1/2	9.5	15	8 (203)	8 (203)	4 (102)	1-1/2"

**▲ AVERTISSEMENT**



Risque de secousses électriques.  
Risque de brûlures, voire de mort.  
Ne pas lever la pompe par son cordon électrique.

### AVERTISSEMENT CONCERNANT LE LEVAGE PAR LE CORDON ÉLECTRIQUE



Lever par les poignées

1. Essayer de lever ou de supporter la pompe par son cordon électrique endommagera le cordon et ses connexions.
2. Le cordon peut se détacher, ses fils nus peuvent être exposés et présenter un danger d'incendie ou de secousses électriques.
3. Lever ou porter la pompe par son cordon électrique annulera la garantie.
4. Toujours lever ou baisser la pompe par ses poignées. Avant d'intervenir sur la pompe ou la sortir du puisard, couper le courant qui l'alimente.

Pour le service des pièces ou d'assistance, appeler le service à la clientèle Simer au 1 800 468-7867 / 1 800 546-7867

## Instructions pour l'installation.

1. Creuser un trou pour le collecteur et la couche de fond. Le trou doit être suffisamment profond pour que le haut du collecteur affleure le niveau du sol fini.

**REMARQUE :** La couche de fond doit se composer de 4 pouces (101 mm) de sable ou de gravier. Les pierres concassées doivent avoir un diamètre maximal de 1/2 pouce (13 mm). Le diamètre maximal du gravillon doit être de 3/4 de pouce (19 mm).

2. Nivelier la couche de fond jusqu'à ce qu'elle soit bien lisse. Les pierres pointues risquent d'endommager le collecteur.
3. Par le trou d'arrivée, sortir la trousse des fixations. La bague d'étanchéité des cordons est dans la trousse des fixations
4. Toujours par le trou d'arrivée, faire passer les cordons électriques par le trou de la bague d'étanchéité du couvercle. Faire passer les cordons électriques dans la bague, puis installer la bague d'étanchéité dans le couvercle.
5. Sortir la bague d'étanchéité du tuyau d'arrivée de la trousse des fixations, puis l'emboîter dans le trou d'arrivée.
6. Poser le collecteur sur la couche de fond.
7. Introduire un tuyau d'arrivée de l'eau de 4 pouces dans la bague d'étanchéité d'arrivée de l'eau. Le faire dépasser de 2 pouces à l'intérieur du collecteur. Du savon à vaisselle peut être utilisé pour lubrifier la bague d'étanchéité d'arrivée de l'eau. Au besoin, limer les bords tranchants du tuyau pour ne pas endommager la bague d'étanchéité d'arrivée de l'eau.

**REMARQUE :** Le tuyau d'arrivée de l'eau doit être incliné de 1/4 de pouce par pied vers le collecteur pour que l'eau puisse s'écouler dans le collecteur.

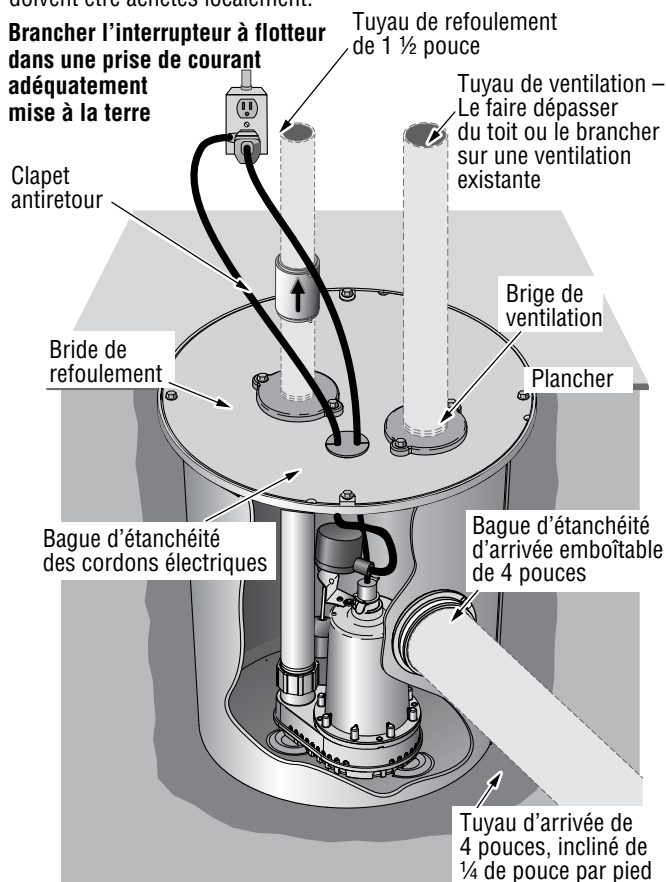
8. Remblayer tout autour du collecteur avec de la pierre concassée. Le diamètre maximal de la pierre ne doit pas être supérieur à 1/2 pouce, sinon utiliser du gravillon.
9. Installer un tuyau de refoulement de 1-1/2 pouce dans la bride de refoulement de 1-1/2 pouce FNPT.
10. Installer un tuyau de ventilation de 2 pouces dans la bride filetée de 2 pouces FNPT. Ce tuyau doit dépasser le toit du bâtiment, sinon le raccorder à un tuyau de ventilation existant. Le collecteur doit être ventilé.

**REMARQUE :** Une ventilation adéquate est requise pour empêcher l'accumulation de pressions négatives dans le collecteur et assurer une arrivée d'air suffisante dans le collecteur.

11. Poser un clapet antiretour de 1-1/2 pouce sur le tuyau de refoulement. S'assurer que la flèche frappée sur le clapet indiquant le sens du débit est orientée à l'opposé de la pompe. Ce clapet empêchera l'eau de retomber dans le collecteur pendant que la pompe est arrêtée.

Le clapet antiretour, les tuyaux d'arrivée, de ventilation et de refoulement doivent être achetés localement.

**Brancher l'interrupteur à flotteur dans une prise de courant adéquatement mise à la terre**



**REMARQUE :** Pour ne pas contaminer la pompe, au cas où le couvercle du collecteur aurait été enlevé pendant ou après l'installation, nettoyer tous les débris pouvant se trouver dans le collecteur.

12. Brancher la pompe dans une prise de courant adéquatement mise à la terre.
13. Vérifier le fonctionnement du système en remplissant le collecteur d'eau et en observant le fonctionnement de la pompe sur un cycle complet. S'assurer que rien ne gêne le fonctionnement de l'interrupteur.

## FONCTIONNEMENT

**REMARQUE :** Le joint de l'arbre dépend de l'eau pour sa lubrification et son refroidissement. Ne pas faire fonctionner la pompe si elle n'est pas immergée dans l'eau. Son joint sera endommagé s'il fonctionne à sec. La garantie sera annulée si la pompe fonctionne à sec.

Logé dans le moteur, un dispositif de protection contre les surcharges à fonctionnement automatique empêche le moteur de « brûler » en cas de surchauffe ou de surcharge. Dès que le moteur refroidit, le dispositif de protection contre les surcharges se réarme automatiquement et le moteur redémarre.

Si on remarque des déclenchements fréquents causés par une surcharge, en déterminer la cause, laquelle peut être un impulseur grippé, une mauvaise tension, une tension trop basse ou une déféciosité du moteur. Faire réparer le moteur par un technicien qualifié.

La pompe est lubrifiée et permanente. Il n'est donc pas nécessaire de la huiler ni de la graisser.

**REMARQUE :** Cette pompe ne pompera pas toute l'eau. Pour un fonctionnement prolongé, la profondeur de l'eau doit être d'au moins 5 pouces (13 cm) pour que le moteur ne surchauffe pas.

## Bouchons d'air

Si des bouchons d'air se forment dans la pompe, elle continuera de fonctionner, mais ne pompera plus d'eau. Éventuellement, elle surchauffera et tombera en panne. Un trou est percé dans le tuyau pour empêcher la formation de bouchons d'air. Pendant le fonctionnement de la pompe, il est normal que de l'eau coule par ce trou.

## Vérification de fonctionnement de l'interrupteur à flotteur

1. Remplir le puisard avec suffisamment d'eau pour vérifier le fonctionnement de la pompe et s'assurer que les raccords sont bien serrés. Lorsque la pompe fonctionnera en automatique pour la première fois, il lui faudra peut-être 30 secondes, voire plus, avant qu'elle s'amorce et pompe l'eau. La pompe démarra comme il est indiqué dans le tableau « Caractéristiques du moteur, de l'interrupteur et des cordons électriques » de la page 9.
2. Vérifier la position arrêt de la pompe. Elle s'arrêtera approximativement comme il est indiqué dans le tableau « Caractéristiques du moteur, de l'interrupteur et des cordons électriques ».
3. Si la pompe ne fonctionne pas, vérifier son alimentation électrique.

**Pour le service des pièces ou d'assistance, appeler le service à la clientèle Simer au 1 800 468-7867 / 1 800 546-7867**

## ENTRETIEN

### ⚠ AVERTISSEMENT

**Tension dangereuse. Risque de secousses électriques, de brûlures, voire la mort.** Avant d'intervenir sur la pompe, toujours la sortir du collecteur et toujours couper le courant qui alimente la pompe et l'interrupteur à flotteur. Ne pas lever la pompe par son cordon électrique. Se reporter à « Avertissement concernant le levage par le cordon électrique » de la page 11.

**REMARQUE :** Pour ne pas contaminer la pompe, au cas où le couvercle du collecteur aurait été enlevé pendant ou après l'installation, nettoyer tous les débris pouvant se trouver dans le collecteur.

**REMARQUE :** La pompe ne doit être réparée que par du personnel qualifié. Aucune pièce de cette pompe n'est réparable par une personne non qualifiée.

Débrancher les tuyaux de refoulement et de ventilation de l'ensemble, déposer les quatre (4) boulons du couvercle du collecteur et, à l'aide de ses poignées, sortir la pompe du collecteur.

NE DÉMONTÉRIEN D'AUTRE QUE le carter d'aspiration de la pompe.

Le carter du moteur de la pompe contient une huile lubrifiante spéciale qui doit toujours rester propre et ne pas contenir d'eau.

Le collecteur de puisard, son couvercle, la pompe et toute la tuyauterie doivent être protégés contre le gel. S'il y a danger de gel, l'ensemble doit être vidé.

## POUR NETTOYER L'IMPULSEUR

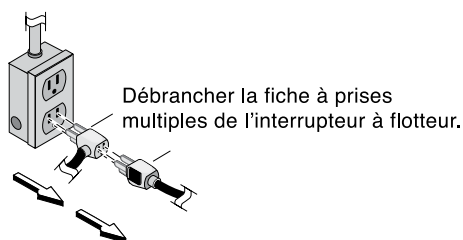
Suivre les opérations indiquées ci-dessous. Pour remonter la pompe, procéder à l'inverse de son démontage.

### ⚠ AVERTISSEMENT

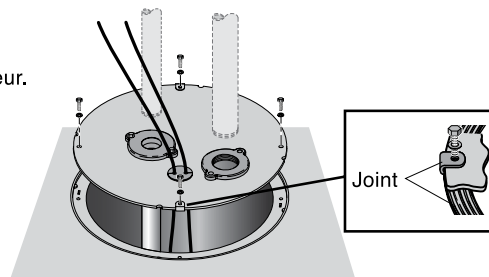
**Risque de secousses électriques, de brûlures, voire de mort.**

Avant de sortir la pompe du puisard pour la réparer, toujours débrancher la fiche de son cordon électrique de la prise de courant. Ne pas lever, baisser ni porter la pompe par son cordon électrique. Utiliser ses poignées.

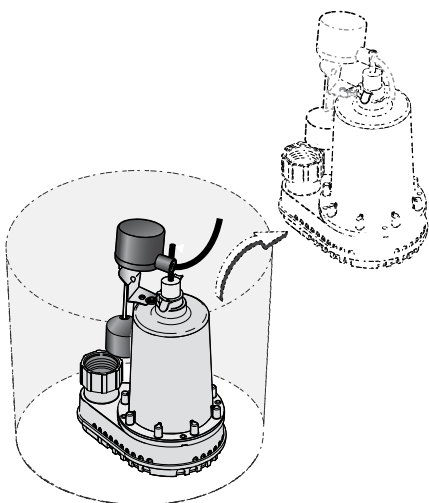
1. Débrancher la pompe.



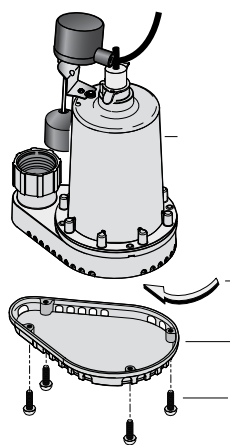
2. Débrancher les tuyaux de refoulement et de ventilation, puis enlever le couvercle du collecteur. Faire bien attention de ne pas endommager le joint.



3. À l'aide de ses poignées, sortir la pompe du collecteur.



4. Déposer les vis de fixation du carter d'aspiration sur la pompe, puis nettoyer l'impulseur.



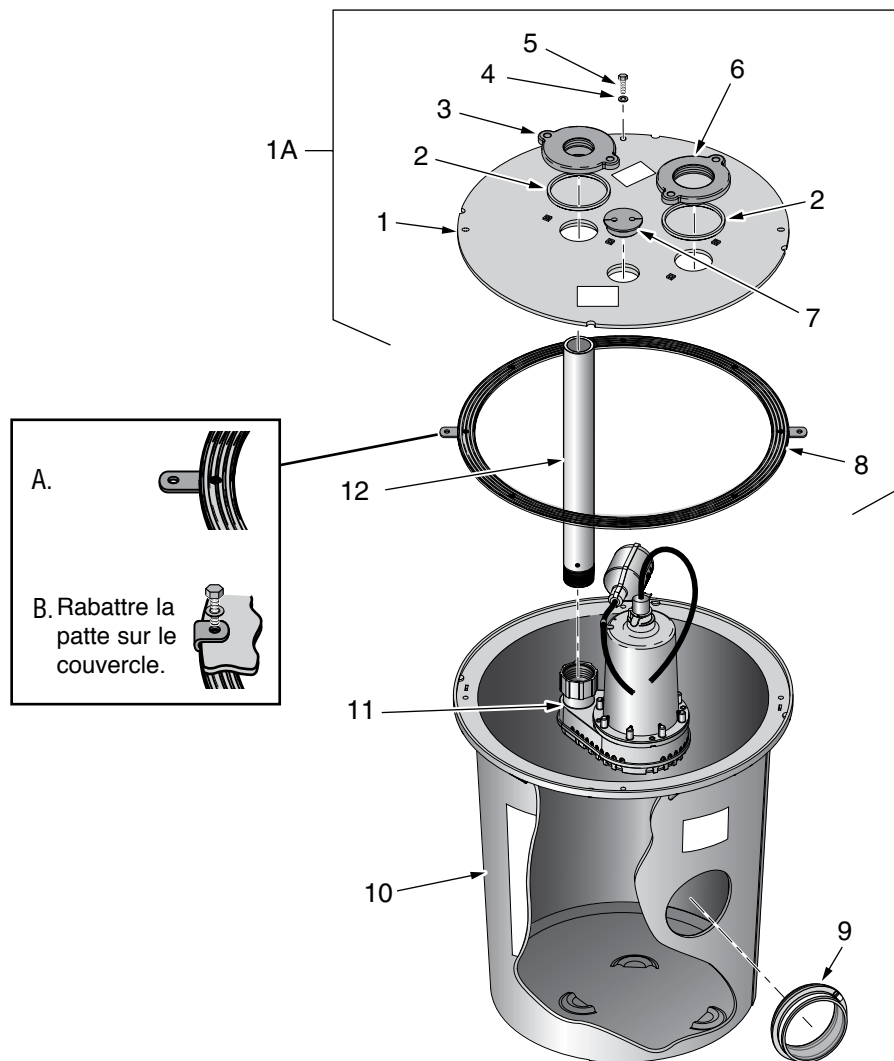
Pompe complète

Emplacement de l'impulseur

Carter d'aspiration

Vis du carter d'aspiration

Figure 2 – Nettoyage de l'impulseur



### PIÈCES DE RECHANGE DES SYSTÈMES PR TS À BRANCHER

Réf.	Désignation des pièces	Qté	3985C
1A	Couvercle du collecteur complet (comprend les Réf. 1 à 8)	1	PW73-65P
1	Couvercle du collecteur	1	-
2	Joint torique à taille carrée	2	-
3	Bride de ventilation de 2 pouces	1	-
4	Rondelle plate	8	-
5	Boulon du collecteur	8	-
6	Bride de refoulement de 1-1/2 pouce	1	-
7	Bague d'étanchéité des cordons électriques*	1	-
8	Joint du couvercle	1	PW73-71
9	Bague d'étanchéité d'arrivée emboîtable*	1	-
10	Collecteur de puisard	1	-
11	Pompe de puisard	1	2975-REP
12	Tuyau de refoulement	1	U37-690P

\* Font partie du sachet des fixations.

# PANNES ET REMÈDES

**▲ AVERTISSEMENT** Démarrages soudains. Si la pompe est alimentée en courant électrique lorsque le dispositif de protection contre les surcharges thermiques se réarme, elle risque de démarrer sans qu'on s'y attende. Si, à ce moment-là, on intervient sur la pompe, on risque de subir une secousse électrique, de se coincer les doigts dans l'impulseur ou bien les outils risquent de se coincer dans l'impulseur. Avant d'intervenir sur une pompe, toujours l'isoler du courant électrique qui l'alimente.

<b>A. La pompe ne fonctionne pas :</b>	<ol style="list-style-type: none"><li>1. S'assurer que son cordon électrique est bien branché dans une prise de courant ou que la pompe est bien câblée dans le contrôleur ou la boîte de commande. Toujours couper le courant alimentant la prise de courant avant de manipuler la pompe ou le moteur.</li><li>2. S'assurer que le courant électrique alimente la pompe.</li><li>3. S'assurer que le niveau du liquide est suffisamment haut pour actionner l'interrupteur à flotteur ou le contrôleur.</li><li>4. S'assurer que le trou d'air percé dans le tuyau de refoulement de la pompe n'est pas bouché.</li><li>5. S'assurer que l'aspiration de la pompe, l'impulseur, le clapet antiretour ou le tuyau de refoulement ne sont pas bouchés.</li><li>6. Pendant au moins 30 minutes, couper le courant alimentant la pompe pour permettre au moteur de refroidir et se protéger contre un démarrage soudain. Se reporter à l'avertissement ci-dessus. Rechercher la cause de la surchauffe. La pompe fonctionne à sec parce que l'interrupteur à flotteur est coincé. L'arrivée de l'eau est bouchée. Le tuyau de refoulement est bouché.</li></ol>
<b>B. La pompe ne vide pas le puisard :</b>	<ol style="list-style-type: none"><li>1. S'assurer que le clapet antiretour et que tous les robinets du tuyau de refoulement sont complètement ouverts.</li><li>2. Nettoyer le tuyau de refoulement et le clapet antiretour.</li><li>3. S'assurer que l'aspiration de la pompe ou que l'impulseur ne sont pas bouchés.</li><li>4. La pompe n'est pas suffisamment puissante. Une pompe à débit supérieur est requise.</li></ol>
<b>C. La pompe ne s'arrête pas :</b>	<ol style="list-style-type: none"><li>1. S'assurer que l'interrupteur à flotteur fonctionne adéquatement.</li><li>2. Si la pompe ne fonctionne pas du tout ou continue de mal fonctionner, s'adresser à un réparateur local.</li></ol>



## Conserver le reçu de caisse original aux fins d'admissibilité à la garantie

### Garantie limitée

La présente garantie limitée est entrée en vigueur le 1er juin 2011 et remplace toute garantie non datée ou antérieure à cette date. SIMER garantit à l'acheteur/au consommateur d'origine (l'Acheteur) que ses produits sont exempts de tout vice de matériau et de fabrication. Cette garantie est valable pendant douze (12) mois à partir de la date d'achat d'origine. Si, dans les douze (12) mois suivant la date d'achat d'origine, un produit se révèle défectueux, il doit être réparé ou remplacé, à la discrétion de SIMER, selon les modalités énoncées aux présentes. Il est à noter que la présente garantie limitée s'applique aux défauts de fabrication seulement. Elle ne couvre pas l'usure normale. Tout dispositif mécanique doit faire l'objet d'un entretien périodique pour veiller à son bon fonctionnement. La présente garantie limitée ne couvre pas les réparations attribuables à l'usure normale d'une pièce ou de l'équipement.

Le reçu de caisse original et l'étiquette d'information sur la garantie sont nécessaires pour déterminer l'admissibilité à la garantie. Cette dernière est établie en fonction de la date d'achat de l'article et non de la date de son remplacement sous garantie. La garantie se limite à la réparation ou au remplacement de l'article original seulement et ne couvre pas l'article de rechange (c.-à-d. un article remplacé sous garantie par achat). L'Acheteur assume les frais de retrait, d'installation, de transport et tous les frais accessoires.

Pour obtenir des pièces ou de l'aide technique, NE PAS retourner le produit au détaillant. Contacter le service à la clientèle de SIMER au 800 468-7867.

Toute demande de règlement en vertu de la présente garantie doit être faite en retournant l'article (à l'exception des pompes de puisard; voir la marche à suivre ci-dessous) au magasin où celui-ci a été acheté ou à l'usine dès qu'une défectuosité est soupçonnée. SIMER prendra les mesures correctives nécessaires dans un délai rapide et raisonnable. Aucune demande de réparation ne sera acceptée plus de 30 jours après l'expiration de la garantie.

La garantie ne peut être cédée et ne s'applique pas aux produits utilisés à des fins commerciales ou de location.

### Pompes d'eaux d'égout

NE PAS RETOURNER une pompe d'eaux d'égout (qui a été installée) au détaillant. Communiquer avec le service à la clientèle de SIMER. Les pompes d'eaux d'égout qui ont été utilisées, puis retirées présentent un risque de contamination.

En cas de défaillance de la pompe d'eaux d'égout :

- Porter des gants en caoutchouc pour manipuler la pompe.
- À des fins de garantie, retourner l'étiquette figurant sur le cordon de la pompe et l'original du reçu au détaillant.
- Mettre la pompe au rebut conformément à la réglementation locale.

### Exceptions à la garantie limitée de douze (12) mois

Produit	Période de garantie
BW85P, M40P	90 jours
2115, 2300, 2310, 2330, 2943, 2955, 2956, 2957, A5500	2 ans
Pompe pour puits submersibles de 4 pouces, 2945, 2958, 2975PC, 3075SS, 3963, 3984, 3995	3 ans
Réservoir préchargé de système d'eau, 3985, 3986, 3988, 3989, 5910, 5950, 5955, 5965, 5975	5 ans

### Modalités générales et restriction des recours

L'Acheteur doit payer tous les frais de main d'œuvre et de transport nécessaires au remplacement du produit garanti couvert par cette garantie. Cette garantie ne s'applique pas à ce qui suit : (1) Les catastrophes naturelles; (2) Les produits qui, selon SIMER, ont fait l'objet d'une négligence, d'une utilisation abusive, d'un accident, d'une mauvaise application ou d'une altération; (3) Les défaillances dues à une installation, une utilisation, un entretien ou un entreposage inappropriés; (4) Une application, une utilisation ou une réparation atypique ou non approuvée; (5) Les défaillances causées par la corrosion, la rouille ou d'autres matériaux étrangers au système, ou par une utilisation à une pression supérieure au maximum recommandé.

Cette garantie établit la responsabilité unique de SIMER et le recours exclusif de l'Acheteur en cas de produit défectueux.

SIMER NE POURRA ÊTRE TENUE RESPONSABLE DE TOUT DOMMAGE INDIRECT OU CONSÉCUTIF QUEL QU'IL SOIT.

LA GARANTIE LIMITÉE SUSMENTIONNÉE EST EXCLUSIVE ET REMPLACE TOUTES LES AUTRES GARANTIES EXPRESSES ET TACITES, Y COMPRIS, MAIS SANS S'Y LIMITER, LES GARANTIES DE QUALITÉ MARCHANDE ET D'ADAPTATION À UN USAGE PARTICULIER. LA GARANTIE LIMITÉE SUSMENTIONNÉE NE DOIT PAS ÊTRE PROLONGÉE AU-DELÀ DE LA DURÉE PRÉVUE AUX PRÉSENTES.

Certains États ne permettent pas l'exclusion ou la limitation des dommages indirects ou consécutifs, ni les limitations relatives à la durée des garanties implicites. Par conséquent, il se peut que les limitations ou les exclusions ci-dessus ne s'appliquent pas. Cette garantie procure des droits juridiques précis à l'Acheteur. Cependant, il est possible de bénéficier d'autres droits, qui varient selon l'État.

**SIMER • 293 Wright Street • Delavan, WI U.S.A. 53115**

**Téléphone : 800 468-7867 • Télécopieur : 800 390-5351 • [www.simerpump.com](http://www.simerpump.com)**

**Pour le service des pièces ou d'assistance, appeler le service à la clientèle Simer au 1 800 468-7867 / 1 800 546-7867**

**Pour le service des pièces ou d'assistance, appeler le service à la clientèle Simer au 1 800 468-7867 / 1 800 546-7867**



## INFORMACIONES SOBRE LA SEGURIDAD

Lea detenidamente y observe todas las instrucciones de seguridad que aparecen en este manual o en la bomba.

**⚠ Este es el símbolo de alerta de seguridad.** Cuando vea este símbolo en su bomba o en este manual, busque alguna de las siguientes palabras de advertencia y esté alerta a la posibilidad de lesiones personales:

**⚠ PELIGRO** advierte acerca de los peligros que **provocarán** lesiones personales graves, muerte o daños materiales considerables si se ignoran.

**⚠ ADVERTENCIA** advierte acerca de los peligros que **pueden provocar** lesiones personales graves, muerte o daños materiales considerables si se ignoran.

**⚠ PRECAUCIÓN** advierte acerca de los peligros que **provocarán o podrán provocar** lesiones personales o daños materiales menores si se ignoran.

La palabra **AVISO** indica instrucciones especiales que son importantes pero que no están relacionadas con los peligros.

1. **Lea estas normas e instrucciones con atención.** Si se hace caso omiso a las mismas, existe el peligro de que ocurran lesiones personales y/o daños materiales graves.
2. Verifique las normas locales antes de proceder con la instalación. Se deben cumplir con todas estas normas.

**⚠ ADVERTENCIA** **Tensión peligrosa. Puede provocar choque eléctrico, quemaduras o muerte.** La bomba se encuentra en el agua cuando está funcionando. Para evitar choques fatales, proceda de la siguiente manera si la bomba requiere servicio:

3. Desconecte la corriente eléctrica a la caja de salida antes de desenchufar la bomba.
4. Desenchufe la bomba antes de manipularla o de repararla.
5. Tenga sumo cuidado cuando cambie los fusibles. No esté parado en el agua ni ponga los dedos en el portafusible.
6. No modifique el cordón ni el enchufe. Cuando use el cordón y el enchufe, enchúfelos solamente en una toma con puesta a tierra. Cuando la conexión sea a un control de sistema, conecte el conductor de tierra de la bomba a la masa del sistema.
7. No permita que la bomba marche en seco. La marcha en seco puede recalentar la bomba (provocando quemaduras a las personas que la manipulen) y anulará la garantía.
8. La bomba generalmente está caliente durante su funcionamiento. Para evitar quemaduras cuando se repare la bomba, deje que se enfríe por 20 minutos después de haberla apagado y antes de manipularla.
9. La bomba tiene lubricación permanente. No es necesario aceitarla ni engrasarla en condiciones normales de funcionamiento.
10. No instale el sumidero y la bomba en ningún lugar que haya sido clasificado como peligroso por las normas eléctricas de los Estados Unidos ("United States National Electrical Code" (NEC)), o canadienses ("Canadian Electrical Code" (CEC)), según corresponda.

## ESPECIFICACIONES DE LA BOMBA

Suministro eléctrico requerido ..... 115 V, 60 Hz  
 Ramal individual requerido ..... 15 amperios  
 Máxima temperatura del líquido ..... 120° F (50° C)  
 Adaptador de descarga ..... 1-1/2" NPT

## DESCRIPCIÓN

El Sistema de Bomba de Sumidero Simer, Modelo Número 3985C, es ideal para instalaciones en sótanos y bodegas. Incluye una bomba de sumidero sumergible y un compartimiento de recogida con tapa resistente a la corrosión. La bomba cuenta con un sistema de montaje embutido para ofrecer el máximo de descarga del sumidero. Todos los componentes del sistema de bomba de sumidero vienen ensamblados de fábrica para facilitar su instalación.

Esta bomba sumergible ha sido diseñada para el drenaje de sumideros, la evacuación de agua y el control de inundaciones. La bomba tiene un sistema incorporado de protección contra sobrecarga térmica con reposición automática. El sello mecánico y los cojinetes cilíndricos en el eje del motor tienen lubricación permanente.

Este sistema ha sido diseñado sólo para uso residencial. El juego de accesorios de ferretería provisto incluye un manguito de admisión de caucho y un aro de refuerzo para el cordón. No se requieren herramientas ni productos selladores especiales.

**AVISO:** ¡Este sistema no ha sido diseñado para usos con agua salada o salmuera! El uso con agua salada o salmuera anulará la garantía.

## DESEMPEÑO — O

Modelo	GPH (LPH) A ALTURA TOTAL EN PIES (METROS)				No hay flujo a la altura indicada abajo 23 ft (7.0 m)
	5 (1.5 m)	10 (3 m)	15 (4.6 m)	20 (6.1 m)	
3985C	2,220 (8,404)	1,800 (6,814)	1,260 (4,770)	300 (1,136)	

\*Para el desempeño a la temperatura máxima, consultar el catálogo.

# INSTALACIÓN

## Tubería

La tubería no puede ser menor que la descarga de la bomba.

## Información eléctrica

### ⚠ ADVERTENCIA

**Tensión peligrosa. Puede provocar choque eléctrico, quemaduras o muerte.** Siga las instrucciones indicadas a continuación cuando instale, opere o repare esta bomba.

No levante la bomba por medio del cordón eléctrico. Consulte la sección de "Advertencia sobre el uso del cordón para levantar" en la página 19.

1. **NO** empalme el cordón eléctrico.
2. **NO** permita que el enchufe del cordón eléctrico quede sumergido.
3. **NO** use cordones de prolongación. Estos representan un peligro de incendio y pueden reducir la tensión lo suficiente como para impedir el bombeo y/o dañar el motor.
4. **NO** manipule ni repare la bomba mientras esté conectada a la fuente de suministro de corriente eléctrica.
5. **NO** saque la punta de puesta a tierra del enchufe ni lo modifique. Para proteger al usuario contra choques eléctricos, el cordón eléctrico es un conductor trifilar e incluye un enchufe de tres puntas para conexión a tierra. Enchufe la bomba en un receptáculo trifilar de tipo puesta a tierra, conectado a tierra. Conecte la bomba conforme a las normas locales y de NEC o de CEC.

La bomba está enchufada en un interruptor automático de flotador con funcionamiento automático. La bomba marchará continuamente cuando esté enchufada directamente en una toma eléctrica.

Conecte o cablee la bomba a su propio ramal individual sin otras tomas ni aparatos en el circuito. Emplee fusibles o disyuntores de los tamaños indicados en el cuadro de "Especificaciones de la bomba, el motor, el interruptor y el cordón".

### ⚠ ADVERTENCIA

**Peligro de choque eléctrico y de incendio. Verifique que la información de suministro de corriente eléctrica (Tensión/ Hercios/ Fase) en este manual corresponda exactamente con el suministro de corriente eléctrica de la instalación. Instale la bomba conforme a todas las normas eléctricas que correspondan.**

**AVISO:** Se necesita una ventilación adecuada para impedir una presión negativa en el compartimiento de recogida y proporcionar aire dentro del mismo.

El compartimiento de recogida debe estar ubicado en el lugar más bajo del sótano o del área que se desee drenar. Los desagües del piso en otras áreas en el sótano se pueden hacer desembocar en el compartimiento de recogida. El tubo de drenaje alrededor de los cimientos de la casa también puede desembocar en el compartimiento de recogida, para poder eliminar el agua en forma eficaz y aliviar la presión del área.

Las cubiertas del compartimiento de recogida sirven para excluir los residuos del compartimiento.

## ESPECIFICACIONES DE LA BOMBA, EL MOTOR, EL INTERRUPTOR Y EL CORDÓN

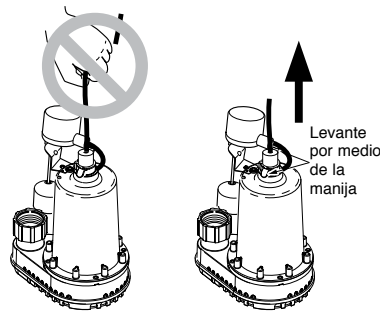
HP del motor	Carga total del motor en amperios	Ramal individual requerido (amperios)	Largo del cordón en pies (mm)	Graduación del interruptor en pulgadas (mm)		Tamaño del adaptador de descarga
				Encendido	Apagado	
1/2	9.5	15	8 (203)	8 (203)	4 (102)	1-1/2"

### ⚠ ADVERTENCIA



**Peligro de choque eléctrico. Puede quemar o matar. No levante la bomba por medio del cordón eléctrico.**

### ADVERTENCIA SOBRE EL USO DEL CORDÓN PARA LEVANTAR



1. Si se trata de levantar o de sostener la bomba por medio del cordón eléctrico se puede dañar el cordón y sus conexiones.
2. El cordón se puede desarmar, dejando expuestos los hilos desnudos con la posibilidad de un incendio o de un choque eléctrico.
3. Si la bomba se levanta o se sostiene por medio del cordón eléctrico, la garantía quedará anulada.
4. Use las manijas en la parte superior de la bomba siempre que deba levantar o bajar la bomba. Desconecte la corriente eléctrica a la bomba antes de realizar trabajos en la misma o de tratar de sacarla del sumidero.

## Instrucciones de instalación. Ver la Figura 1.

1. Perfore un orificio para el compartimiento de recogida y la base inferior. El orificio debe ser lo suficientemente profundo como para que la parte superior del compartimiento de recogida quede al ras con el piso terminado.

**AVISO:** La base inferior debe incluir 4 pulgadas de arena o grava. La piedra triturada no debe tener un diámetro superior a 1/2". El diámetro máximo recomendado para la almendrilla es de 3/4".

2. Nivele la base inferior hasta que quede uniforme. Las piedras filosas pueden dañar el compartimiento de recogida.
3. Saque el juego de accesorios de ferretería del orificio de admisión. Ubique el aro de refuerzo del cordón en el juego de accesorios.
4. Entre al orificio de admisión nuevamente y saque los cordones eléctricos por el orificio del aro de refuerzo del cordón en la cubierta. Presione los cordones dentro del aro de refuerzo del cordón e instale el aro de refuerzo en la cubierta.
5. Ubique el manguito de admisión el juego de accesorios, y trábelo en el orificio de admisión.
6. Instale el compartimiento de recogida sobre la base inferior.
7. Introduzca un tubo de admisión de 4" por el manguito de admisión. Introdúzcalo 2" dentro del compartimiento de recogida. Se puede usar jabón lavavajilla para lubricar el manguito de admisión. De ser necesario, lime los bordes filosos del tubo para no dañar el manguito.

**AVISO:** El tubo de admisión debe bajar por la admisión del compartimiento de recogida a 1/4" por pie. Esto hará que el agua corra hacia el compartimiento de recogida.

8. Rellene alrededor del compartimiento con piedra triturada de un diámetro máximo de 1/2", o use almendrilla.
9. Instale un tubo de descarga de 1-1/2" en la brida de descarga de rosca hembra de 1-1/2" FNPT.
10. Instale un tubo de ventilación de 2" en la brida de ventilación de rosca hembra de 2" FNPT. El tubo de ventilación debe pasar por el techo del edificio o se puede conectar a una tubería de ventilación existente. El compartimiento de recogida debe estar ventilado.

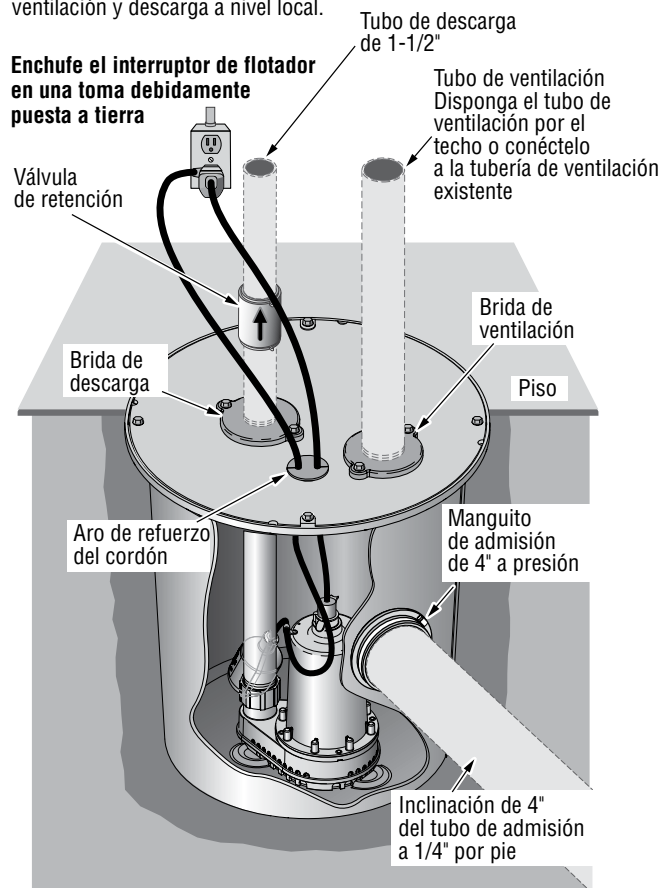
**AVISO:** Es necesario que haya una ventilación adecuada para impedir una presión negativa en el compartimiento y suministrar el aire necesario dentro del mismo.

11. Instale una válvula de retención de 1-1/2" en la tubería de descarga. Consulte la Figura 1. Verifique que la flecha indicadora de flujo apunte en la dirección contraria de la bomba. Esta válvula de retención impedirá que el agua corra nuevamente hacia el compartimiento cuando la bomba no esté en marcha.

**AVISO:** Para impedir la contaminación de la bomba, despeje

Adquiera la válvula de retención y los tubos de admisión, ventilación y descarga a nivel local.

**Enchufe el interruptor de flotador en una toma debidamente puesta a tierra**



**Figura 1 – Instalación típica**

todos los escombros del compartimiento si debe sacar la cubierta durante o después de la instalación.

12. Enchufe la bomba en una toma debidamente conectada a tierra.
13. Verifique la operación, llenando el compartimiento con agua y observando el funcionamiento de la bomba por un ciclo completo. Verifique que ninguna pieza de la unidad interfiera con el flotador.

### **ADVERTENCIA**

**Si se hace caso omiso a esta verificación, existe el peligro de que ocurra un funcionamiento incorrecto, una falla prematura e inundación.**

## OPERACIÓN

**AVISO:** El sello del eje depende del agua para su lubricación y enfriamiento. No haga funcionar la bomba a menos que esté sumergida en agua, ya que si la bomba marcha en seco, se podrá dañar el sello (la junta de estanqueidad). Si se permite que la bomba marche en seco, la garantía quedará anulada.

Un protector automático de sobrecarga en el motor, protegerá al motor para que no se quemé debido a un recalentamiento o sobrecarga. Cuando el motor se haya enfriado, el protector de sobrecarga se reposicionará automáticamente y encenderá el motor.

Si el protector de sobrecarga se dispara con frecuencia, verifique la causa. Podría ser que el impulsor está atascado, una tensión incorrecta o baja, o una falla eléctrica en el motor. Si se sospecha que hay una falla eléctrica en el motor, haga que un técnico competente la repare.

La bomba está permanentemente lubricada. No es necesario aceitarla ni engrasarla.

**AVISO:** La bomba no extraerá toda el agua. Para una operación prolongada, el agua debe tener una profundidad de 5" (13 cm) como mínimo para impedir que el motor se recaliente.

## Bolsas de aire

Cuando aparece una bolsa de aire en la bomba, ésta marcha pero no

mueve agua. Una bolsa de aire hará que la bomba se recaliente y falle. La tubería de descarga está equipada con un orificio anti-bolsas de aire ya perforado. Una fuga desde el orificio anti-bolsas de aire es normal durante la operación de la bomba.

## Interruptor de flotador - Verificación de su funcionamiento

1. Llene el sumidero con la cantidad correcta de agua para verificar el funcionamiento y la hermeticidad de las conexiones. Durante el primer ciclo automático, puede llevar 30 segundos o más antes de que la bomba se cebé y comience a bombear. La bomba comenzará a marchar según se indica en el cuadro de "Especificaciones de la bomba, el motor, el interruptor y el cordón".
2. Verifique la posición de apagar. La bomba se detendrá aproximadamente según se indica en el cuadro de "Especificaciones de la bomba, el motor, el interruptor y el cordón".
3. Si la bomba no funciona, inspeccione el servicio de suministro eléctrico.

**AVISO:** El largo de la cadena del interruptor de flotador es de 3-1/2" (89 mm) y viene configurado de fábrica. No cambie el largo de la cadena del interruptor de flotador. El flotador debe poder oscilar por todo su arco sin interferencia.

**Por repuestos o ayuda, llame al Departamento de Atención al Cliente de Simer, 1-800-468-7867 / 1-800-546-7867**

# MANTENIMIENTO

**⚠ ADVERTENCIA** **Tensión peligrosa. Puede provocar choque eléctrico, quemaduras o muerte.** Antes de sacar la bomba del compartimiento para su reparación, siempre desconecte la fuente de suministro de corriente eléctrica a la bomba y al interruptor de control. No levante la bomba por medio del cordón eléctrico. Consulte la “Advertencia sobre el uso del cordón para levantar” en la página 19.

**AVISO:** Para impedir la contaminación de la bomba, despeje todos los escombros del compartimiento si debe sacar la cubierta durante la instalación o después de la misma.

**AVISO:** La bomba debe ser reparada sólo por un personal capacitado. La bomba no tiene piezas que puedan ser reparadas por el consumidor.

Desconecte las tuberías de descarga y de ventilación de la unidad, saque los cuatro pernos de la cubierta del compartimiento, y entonces saque la bomba fuera del compartimiento usando las manijas provistas en la bomba.

NO trate de abrir la bomba más allá de la remoción de la caja de aspiración.

La caja del motor de la bomba contiene un aceite de lubricación especial que debe mantenerse limpio y sin agua en todo momento.

Es necesario proteger el compartimiento de recogida y la cubierta, la bomba y las tuberías en caso de temperaturas heladas. Si existe el peligro de que haya temperaturas heladas, se deberá drenar la unidad.

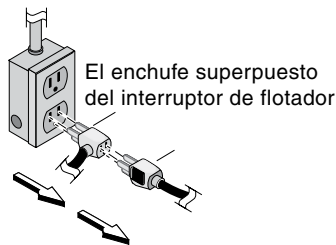
# PARA LIMPIAR EL IMPULSOR

Siga los pasos indicados a continuación. Para volver a ensamblar la bomba, invierta el orden.

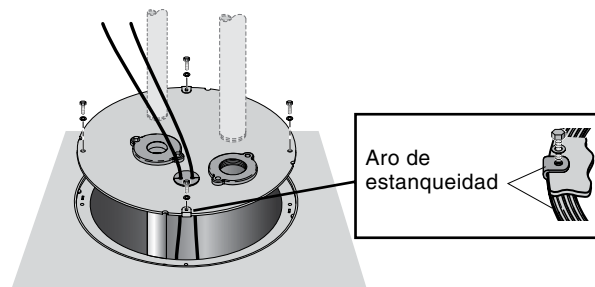
**⚠ ADVERTENCIA** **Peligro de choque eléctrico. Puede provocar quemaduras o muerte.**

Antes de sacar la bomba del compartimiento para su reparación, siempre desconecte la fuente de suministro de corriente eléctrica a la bomba. No levante, baje ni cargue la bomba por medio del cordón eléctrico. Use las manijas provistas en la bomba.

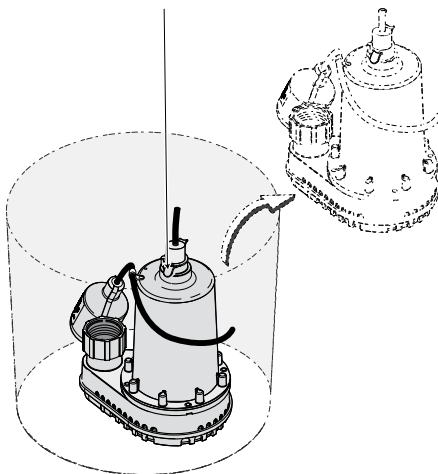
1. Desenchufe la bomba.



2. Desconecte las tuberías de descarga y de ventilación y saque la cubierta del compartimiento. Asegúrese de no dañar el aro de estanqueidad.



3. Saque la bomba del foso de sumidero usando las manijas provistas en la misma.



4. Saque los tornillos que sostienen la caja de aspiración a la unidad de la bomba y limpie el impulsor.

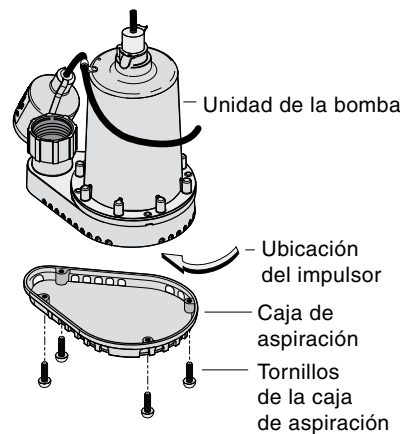
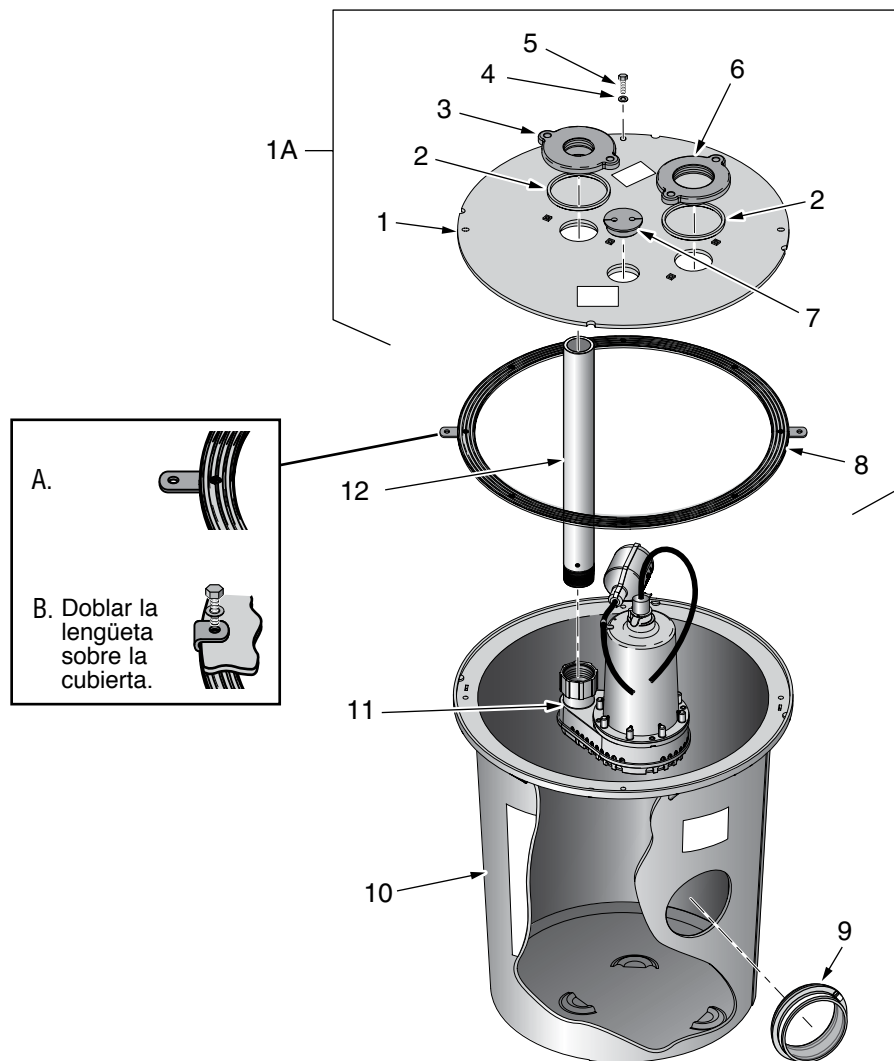


Figura 2 – Limpieza del impulsor



**⚠ ADVERTENCIA**

**Peligro de ahogo para niños pequeños. No deje niños pequeños sin supervisión cerca del compartimiento si se ha retirado la cubierta.**

### PIEZAS DE REPARACIÓN – SISTEMAS CON CONEXIÓN DE PLOMERÍA

Clave No.	Descripción de la pieza	Cantidad.	3985C
1A	Unidad de cubierta del compartimiento (incluye Nos. 1 - 8)	1	PW73-65P
1	Cubierta del compartimiento	1	-
2	Aro tórico de corte cuadrado	2	-
3	Brida de ventilación de 2"	1	-
4	Arandela plana	8	-
5	Perno del compartimiento	8	-
6	Brida de descarga de 1-1/2"	1	-
7	Aro de refuerzo del cordón*	1	-
8	Aro de estanqueidad	1	PW73-71
9	Manguito de admisión a presión*	1	-
10	Compartimiento de recogida	1	-
11	Bomba de sumidero	1	2975-REP
12	Tubo de descarga	1	U37-690P

\* Incluido en el paquete de accesorios de ferretería.

# PROBLEMAS - SOLUCIONES



**Arranques repentinos.** Si hay suministro de corriente eléctrica a la bomba cuando el dispositivo automático de protección contra sobrecarga térmica se reposiciona, la bomba puede comenzar a marchar sin advertencia previa. Si usted está trabajando en la bomba, puede recibir una descarga eléctrica o el impulsor puede atrapar sus dedos o sus herramientas. Desconecte la fuente de suministro de corriente eléctrica antes de tratar de reparar la bomba.

<b>A. La bomba no funciona:</b>	<ol style="list-style-type: none"><li>1. Verificar que el cordón eléctrico esté firmemente enchufado en el tomacorriente o firmemente cableado en la caja de control o del interruptor. Desconecte el suministro de corriente eléctrica al tomacorriente antes de manipular la bomba o el motor.</li><li>2. Verificar que haya suministro de corriente eléctrica.</li><li>3. Verificar que el nivel del líquido sea lo suficientemente alto como para activar el interruptor o el control.</li><li>4. Verificar que el orificio de ventilación anti-bolsas de aire en la descarga de la bomba no esté obturado.</li><li>5. Verificar que no haya bloqueo en la admisión de la bomba, en el impulsor, en la válvula de retención o en la tubería de descarga.</li><li>6. Desconectar la bomba de la fuente de suministro de corriente eléctrica por un mínimo de 30 minutos para permitir que el motor se enfríe y para protegerlo de arranques repentinos. Consultar la Advertencia que precede. Verificar la causa del recalentamiento. La bomba está marchando en seco porque el interruptor de flotador está atascado. La admisión está obturada. La tubería de salida está obturada.</li></ol>
<b>B. La bomba no vacía el sumidero:</b>	<ol style="list-style-type: none"><li>1. Verificar que toda válvula en la tubería de descarga esté completamente abierta.</li><li>2. Limpiar la tubería de descarga y la válvula de retención.</li><li>3. Verificar que no haya bloqueo en la admisión de la bomba o en el impulsor.</li><li>4. El tamaño de la bomba es incorrecto. Se necesita una bomba de mayor capacidad.</li></ol>
<b>C. La bomba no se apaga:</b>	<ol style="list-style-type: none"><li>1. Verificar que el interruptor esté funcionando correctamente.</li><li>2. Si la bomba no funciona o continúa funcionando mal, consulte a su técnico de reparaciones local.</li></ol>



## Retener el recibo original a fin de determinar la elegibilidad para la garantía

### Garantía limitada

Esta Garantía Limitada entra en vigor el 1 de junio de 2011 y sustituye toda garantía sin fecha o garantía con fecha anterior al 1 de junio de 2011.

SIMER le garantiza al comprador consumidor original (el "Comprador" o "Usted") de sus productos, que éstos estarán libres de defectos en materiales y en mano de obra por un período de doce (12) meses, a partir de la fecha de la compra original del consumidor. Si dentro de los doce (12) meses a partir de la fecha de la compra inicial del consumidor, será reparado o reemplazado a opción de la SIMER, sujeto a los términos y condiciones establecidos en la presente. Tome nota de que esta garantía limitada cubre defectos de manufactura solamente y no el desgaste común. Todos los aparatos mecánicos periódicamente necesitan repuestos y servicio para un funcionamiento correcto. Esta garantía limitada no cubre las reparaciones que se realicen cuando el uso normal haya agotado la vida útil de una pieza o del aparato.

Es necesario retener el recibo de compra original y la etiqueta de información de la garantía a fin de determinar la elegibilidad para la garantía. La elegibilidad se basa en la fecha de compra del producto original - no en la fecha del reemplazo bajo la garantía. La garantía es limitada y cubre solamente la reparación o el reemplazo del producto original adquirido, no del producto reemplazado (es decir que se permite un reemplazo por compra bajo la garantía). El comprador pagará todos los costos de remoción, instalación, mano de obra y envío necesarios, así como todo costo adicional asociado.

Si necesita piezas o resolución de problemas, NO regrese el producto a la tienda minorista. Llame el Servicio a la Clientela de SIMER al 800-468-7867.

Las reclamaciones hechas bajo esta garantía se realizarán mediante la devolución del producto (a excepción de las bombas cloacales - ver a continuación) al concesionario de venta al público en donde se haya adquirido o a la fábrica, inmediatamente después de haber descubierto cualquier presunto defecto. SIMER entonces tomará la medida correctiva tan pronto como sea razonablemente posible. No se aceptarán solicitudes de servicio, si se reciben más de 30 días después del vencimiento de esta garantía.

La garantía no es transferible y no cubre productos utilizados en aplicaciones comerciales o de alquiler.

### Bombas cloacales

NO devuelva una bomba cloacal (que se haya instalado) a su tienda minorista. Comuníquese con el Departamento de Atención al Cliente de SIMER. Las bombas cloacales que hayan estado en servicio y se hayan removido pueden representar un peligro de contaminación.

Si su bomba cloacal ha fallado:

- Use guantes de caucho cuando manipule la bomba;
- Para los fines de la garantía, devuelva la etiqueta del cordón de la bomba y el recibo de compra original a la tienda minorista;
- Descarte la bomba cumpliendo con todas las normas locales que correspondan para su eliminación.

### Excepciones para la garantía limitada de doce (12) meses

Producto	Período de garantía
BW85P, M40P	90 días
2115, 2300, 2310, 2330, 2943, 2955, 2956, 2957, A5500	2 años
Bombas de pozo sumergibles de 4", 2945, 2958, 2975PC, 3075SS, 3963, 3984, 3995	3 años
Tanque precargado del sistema de agua, 3985, 3986, 3988, 3989, 5910, 5950, 5955, 5965, 5975	5 años

### Términos y condiciones generales; Limitación de recursos

Usted deberá pagar por todos los gastos de mano de obra y de envío necesarios para reemplazar el producto cubierto por esta garantía. Esta garantía no se aplicará en las siguientes situaciones: (1) caso de fuerza mayor (2) productos que, a sólo juicio de SIMER hayan sido sometidos a negligencia, abuso, accidente, mala aplicación, manejo indebido o alteraciones; (3) fallas debido a instalación, operación, mantenimiento o almacenamiento inadecuados; (4) aplicaciones, usos o servicios que no sean normales o aprobados; (5) fallas provocadas por corrosión, herrumbre u otros materiales extraños en el sistema, o una operación a presiones que excedan los máximos recomendados.

Esta garantía establece la única obligación de SIMER y el recurso exclusivo del Comprador con respecto a los productos defectuosos.

SIMER NO SE HARÁ RESPONSABLE DE NINGÚN DAÑO CONSECUENTE, INCIDENTAL O CONTINGENTE.

LAS GARANTÍAS LIMITADAS QUE ANTECEDEN SON EXCLUSIVAS Y EN LUGAR DE TODA OTRA GARANTÍA EXPLÍCITA E IMPLÍCITA, INCLUYENDO, PERO SIN LIMITARSE A LAS GARANTÍAS IMPLÍCITAS DE COMERCIALIZACIÓN E IDONEIDAD PARA UN FIN ESPECÍFICO. LAS GARANTÍAS LIMITADAS QUE ANTECEDEN NO SE EXTENDERÁN MÁS ALLÁ DEL PERÍODO DE DURACIÓN INDICADO EN LA PRESENTE.

Algunos Estados no permiten la exclusión o limitación de daños incidentales o consecuentes o de limitaciones de tiempo sobre garantías implícitas, de modo que es posible que las limitaciones o exclusiones que preceden no correspondan en su caso. Esta garantía le otorga derechos legales específicos y es posible que Usted también tenga otros derechos que pueden variar de un Estado al otro.

**SIMER • 293 Wright Street • Delavan, WI U.S.A. 53115**  
**Teléfono: 800-468-7867 • Fax: 800-390-5351 • [www.simerpump.com](http://www.simerpump.com)**

Por repuestos o ayuda, llame al Departamento de Atención al Cliente de Simer, 1-800-468-7867 / 1-800-546-7867

